



US00D484641S

(12) **United States Design Patent**
Whittier et al.

(10) **Patent No.:** **US D484,641 S**

(45) **Date of Patent:** **** Dec. 30, 2003**

(54) **COMBINED LOTION APPLICATOR AND COVER**

(76) Inventors: **Albert R. Whittier**, P.O. Box 2555, Oak Bluffs, MA (US) 02557; **Todd deBettencourt**, P.O. Box 2555, Oak Bluffs, MA (US) 02557

(**) Term: **14 Years**

(21) Appl. No.: **29/169,432**

(22) Filed: **Oct. 21, 2002**

(51) **LOC (7) Cl.** **28-02**

(52) **U.S. Cl.** **D28/7; D9/447**

(58) **Field of Search** D28/7, 63; D24/119; D9/338, 447, 436; D4/114, 116, 137, 138; D32/45, 51, 52, 40, 42; 15/144.4, 244.1-244.4; 401/6, 196, 202-207, 262-266

(56) **References Cited**

U.S. PATENT DOCUMENTS

1,973,768 A * 9/1934 Knapp 601/107
D323,568 S * 1/1992 Hackler D28/63
5,240,339 A * 8/1993 DeForest et al. 401/207
D342,342 S * 12/1993 Maglione D28/7

D376,697 S * 12/1996 Green et al. D4/114
D384,436 S * 9/1997 Kelley D28/7
D404,125 S * 1/1999 Weinstein D24/119
D410,110 S * 5/1999 Roland D28/7
D453,855 S * 2/2002 Petkus D28/7
6,491,463 B1 * 12/2002 Richard 401/6

* cited by examiner

Primary Examiner—Lucy Lieberman

(57) **CLAIM**

The ornamental design for a combined lotion applicator and cover, as shown and described.

DESCRIPTION

FIG. 1 is a side elevation of a combined lotion applicator and cover showing my new design.

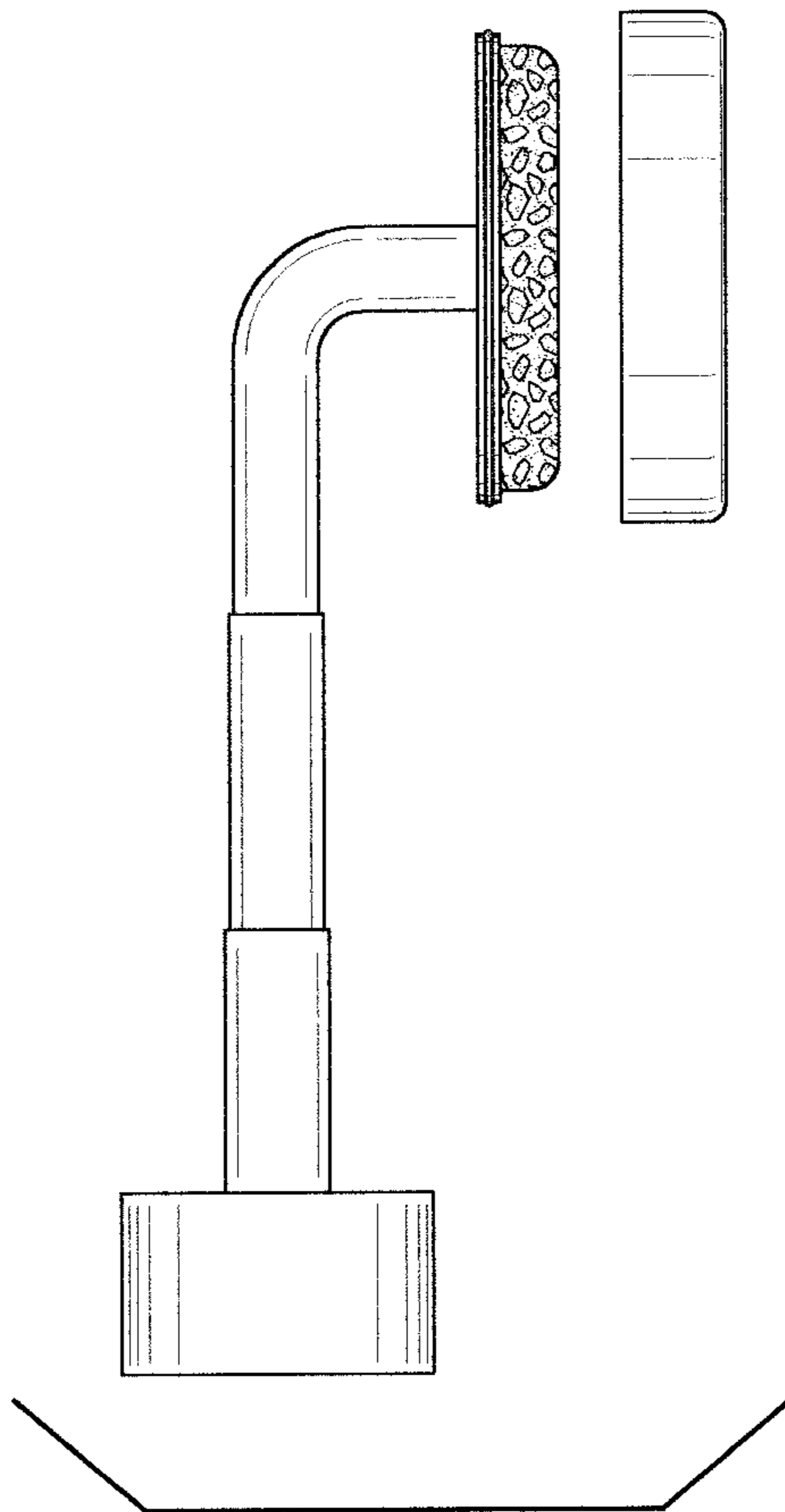
FIG. 2 is a rear elevation of the combined lotion applicator and cover.

FIG. 3 is a front elevation of the combined lotion applicator and cover.

FIG. 4 is a top plan view of the combined lotion applicator and cover; and,

FIG. 5 is a bottom plan view of the combined lotion applicator and cover.

1 Claim, 4 Drawing Sheets



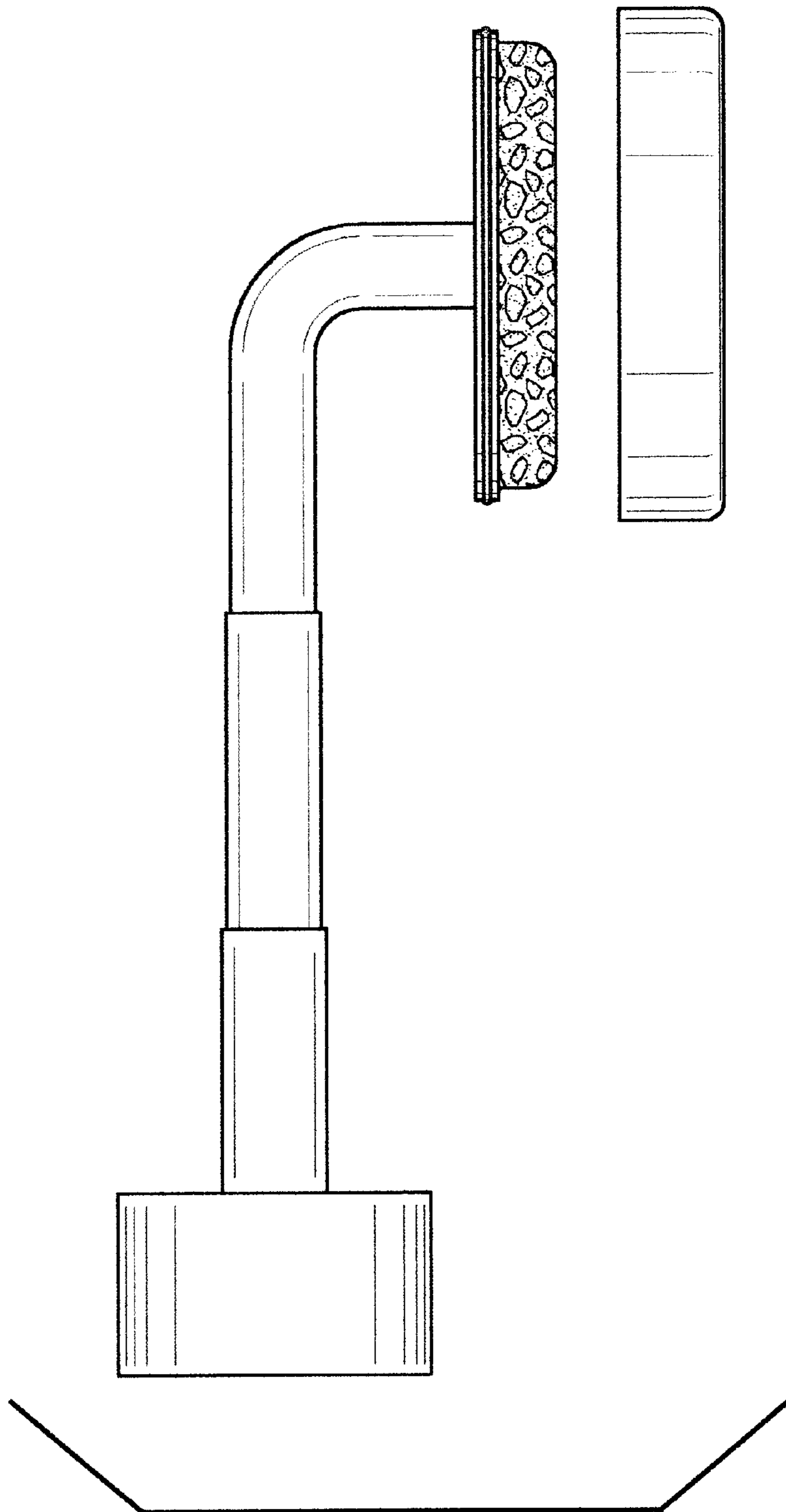


FIG. 1

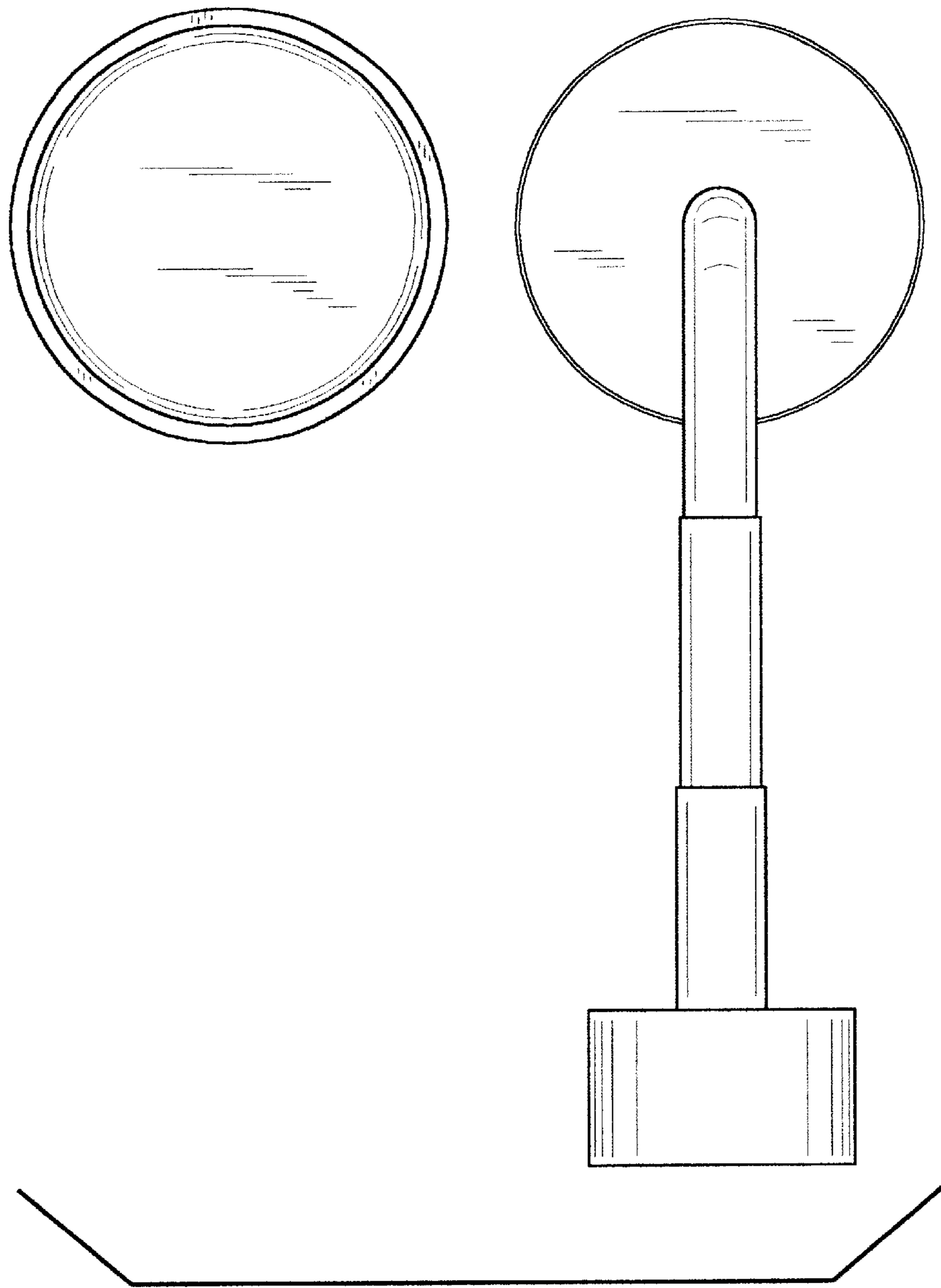


FIG. 2

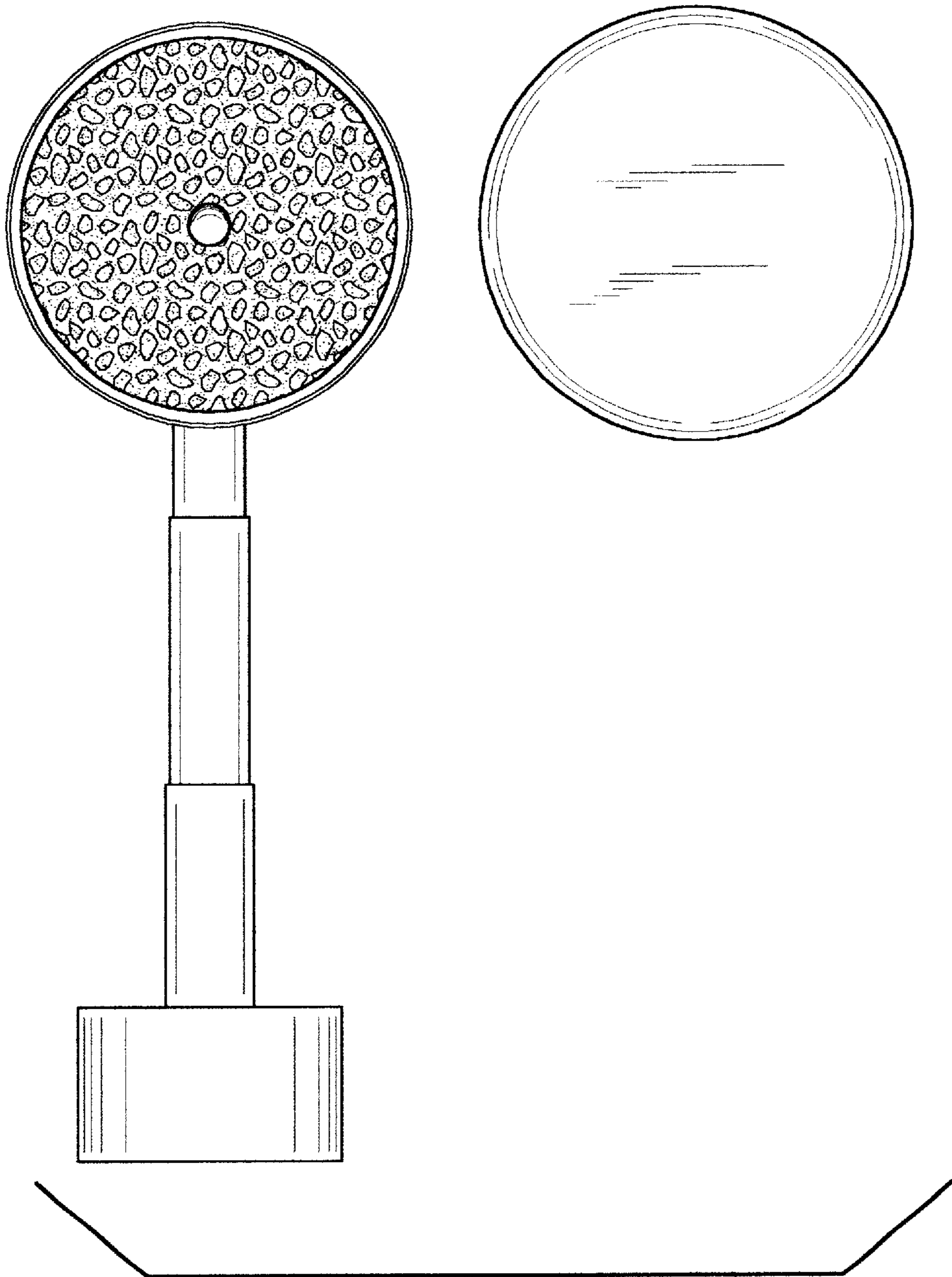


FIG. 3

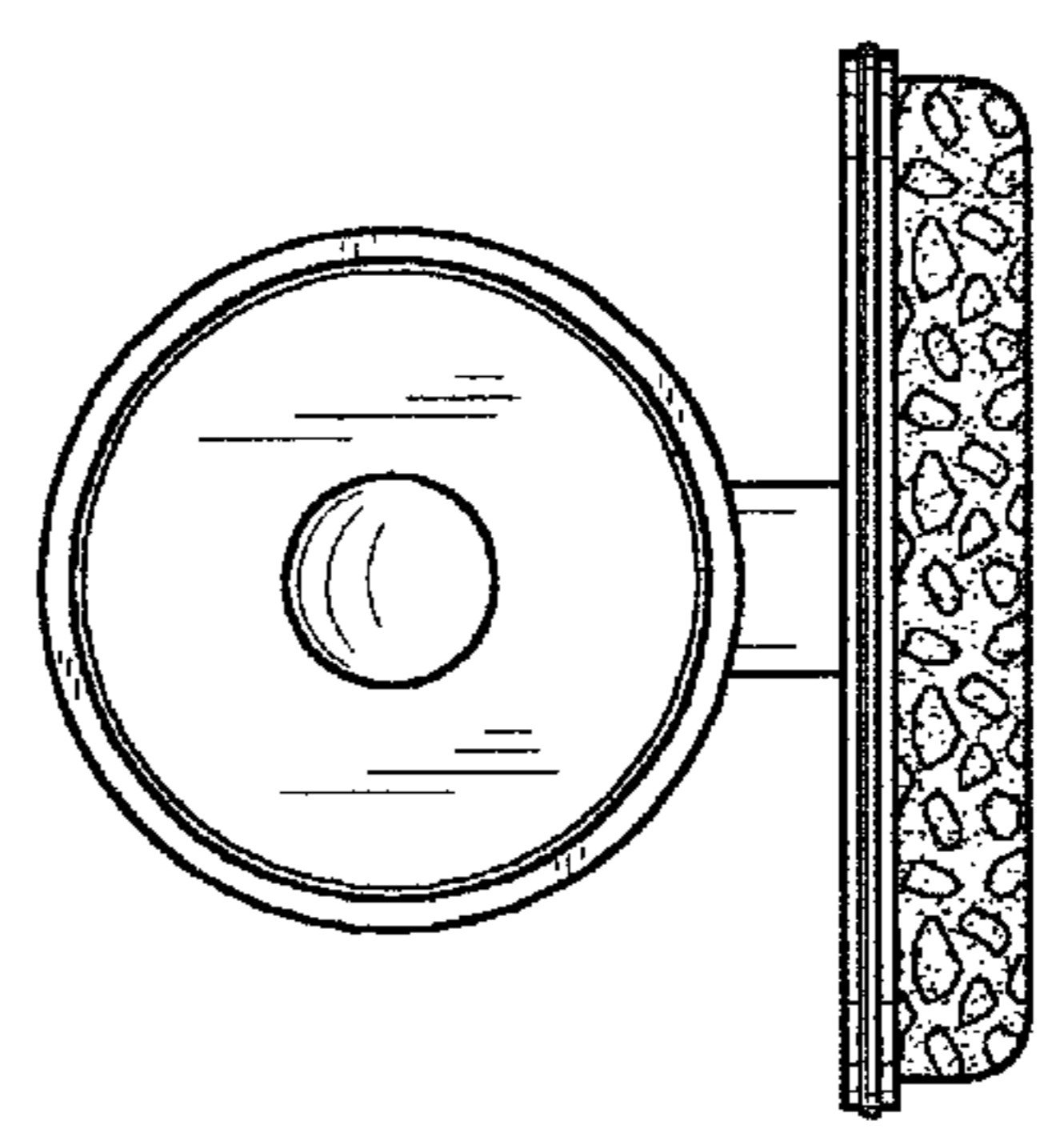
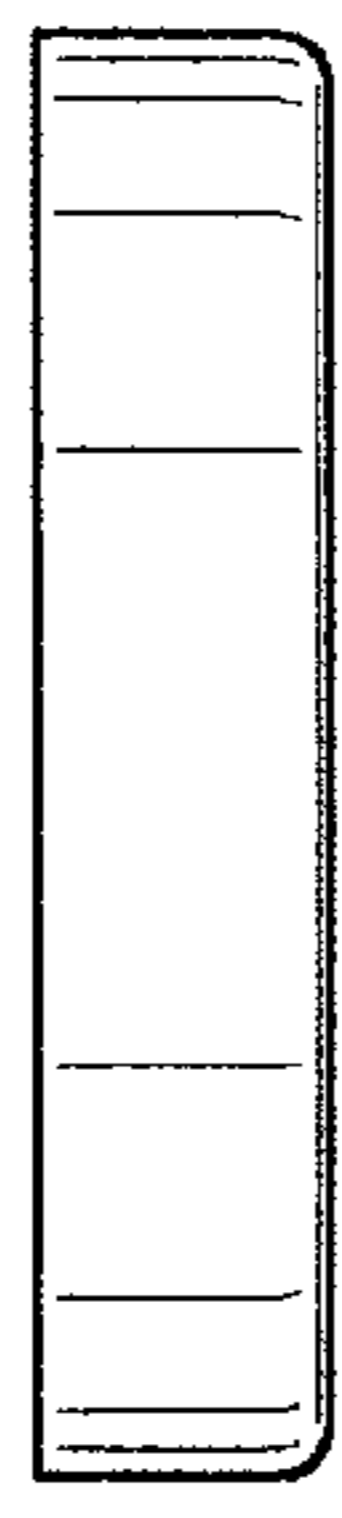
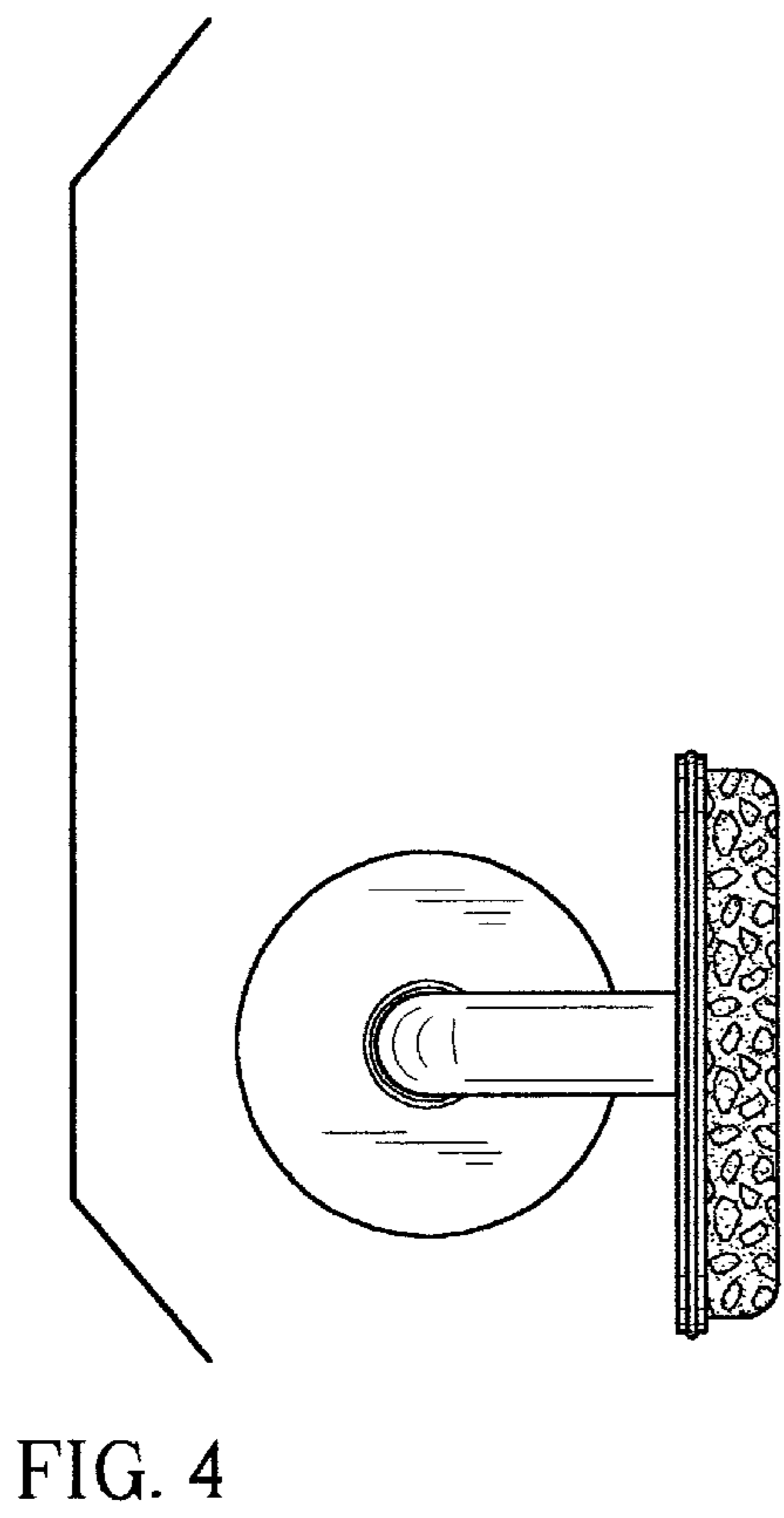


FIG. 5

