



US00D484640S

(12) **United States Design Patent**  
**Park**

(10) **Patent No.:** **US D484,640 S**

(45) **Date of Patent:** **\*\* Dec. 30, 2003**

(54) **LIGHTER**

(75) Inventor: **Keith K. Park**, La Canada Flintridge,  
CA (US)

(73) Assignee: **Prometheus International, Inc.**, Bell,  
CA (US)

(\*\*) Term: **14 Years**

(21) Appl. No.: **29/170,689**

(22) Filed: **Nov. 8, 2002**

(51) **LOC (7) Cl.** ..... **27-03**

(52) **U.S. Cl.** ..... **D27/157**

(58) **Field of Search** ..... D27/141, 154,  
D27/155, 157; 431/253, 267, 276, 277,  
254, 273

(56) **References Cited**

**U.S. PATENT DOCUMENTS**

D454,223 S	*	3/2002	Park	.....	D27/157
D460,211 S	*	7/2002	Park	.....	D27/143
D463,617 S	*	9/2002	Park	.....	D27/157

**OTHER PUBLICATIONS**

Prometheus catalog page showing Gladiator S lighter,  
Lighter first sold in Jul. 2001.

Prometheus catalog page showing Saturn II lighter, Lighter  
first sold in Jul. 2001.

\* cited by examiner

*Primary Examiner*—Jennifer Rivard

(74) *Attorney, Agent, or Firm*—Knobbe, Martens, Olson &  
Bear LLP

(57) **CLAIM**

The ornamental design for a lighter, as shown and described.

**DESCRIPTION**

FIG. 1 is a front perspective view of the lighter according to  
the present design;

FIG. 2 is a top plan view of the lighter of FIG. 1;

FIG. 3 is a bottom plan view of the lighter of FIG. 1;

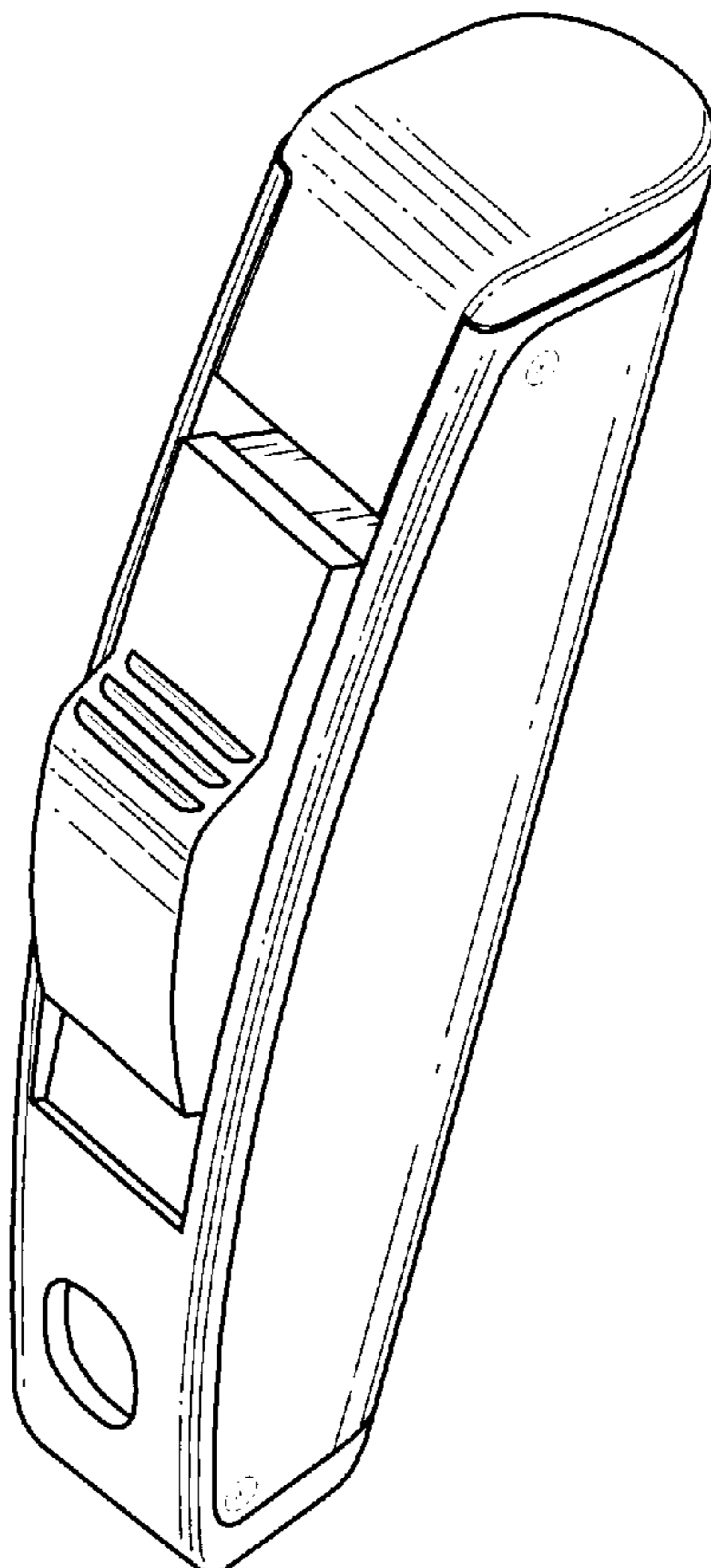
FIG. 4 is a front elevational view of the lighter of FIG. 1;

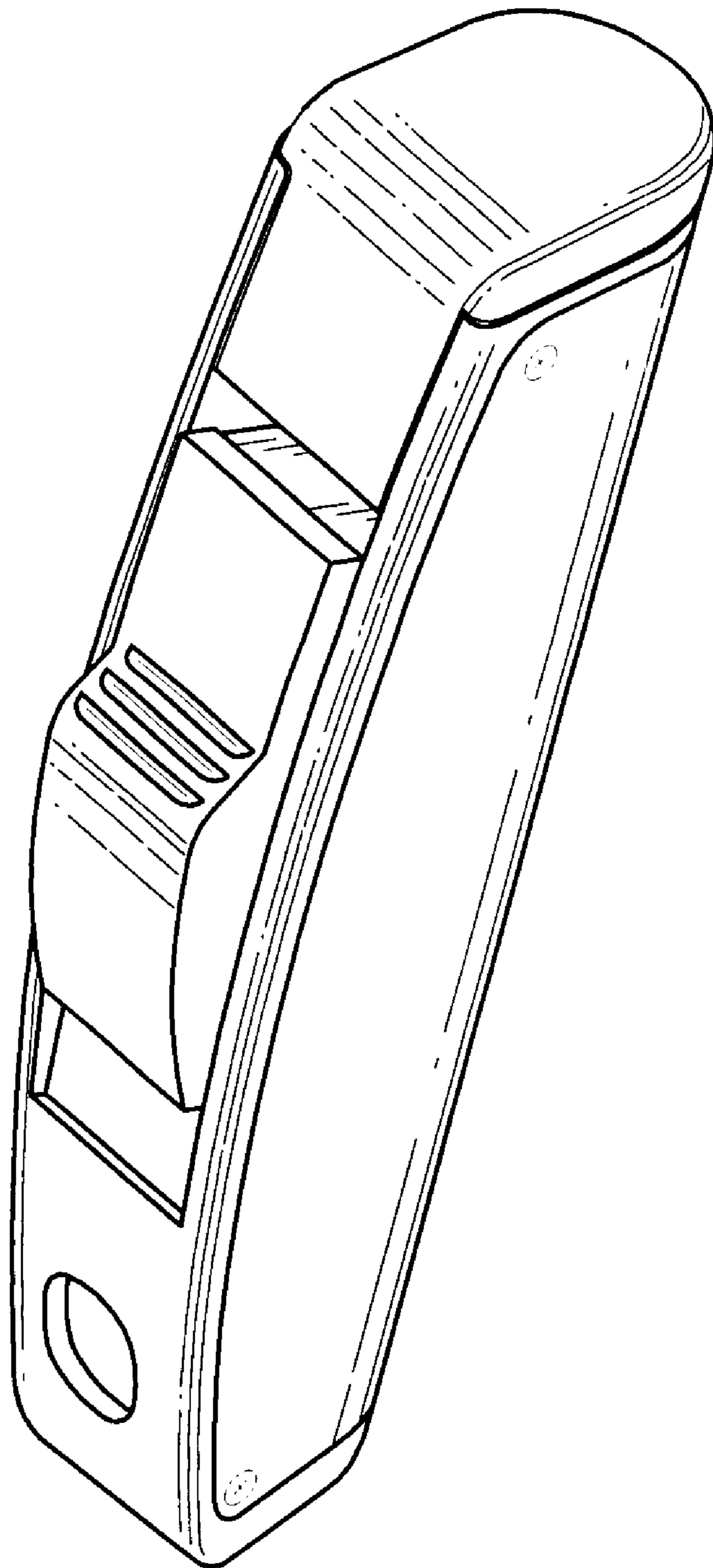
FIG. 5 is a rear elevational view of the lighter of FIG. 1; and,

FIG. 6 is a right-side elevational view of the lighter of FIG.  
1, the left-side elevational view being a mirror image  
thereof.

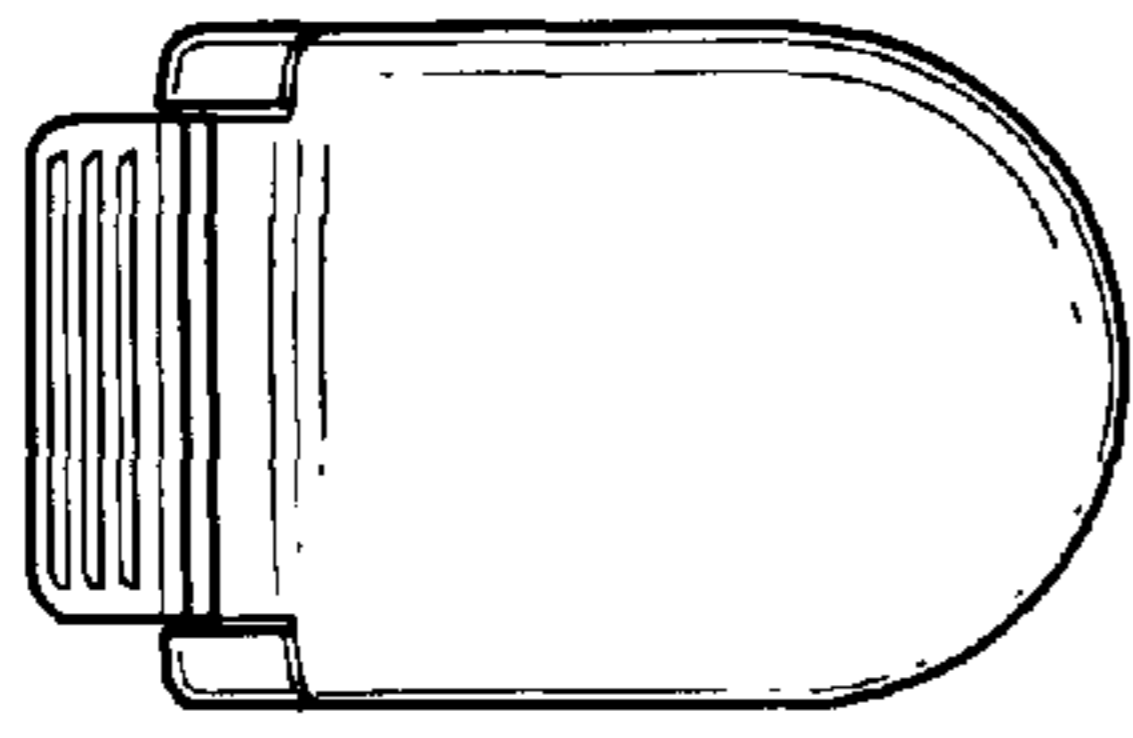
The broken line environmental showing is for illustrative  
purposes only and forms no part of the claimed design.

**1 Claim, 2 Drawing Sheets**

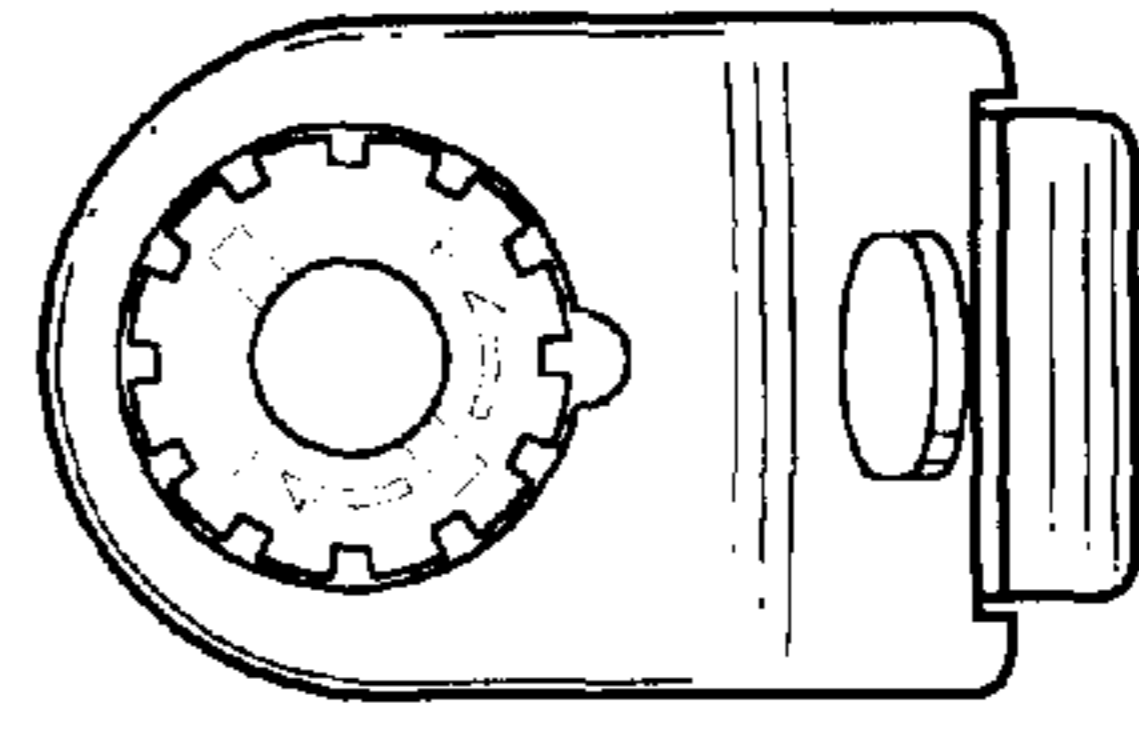




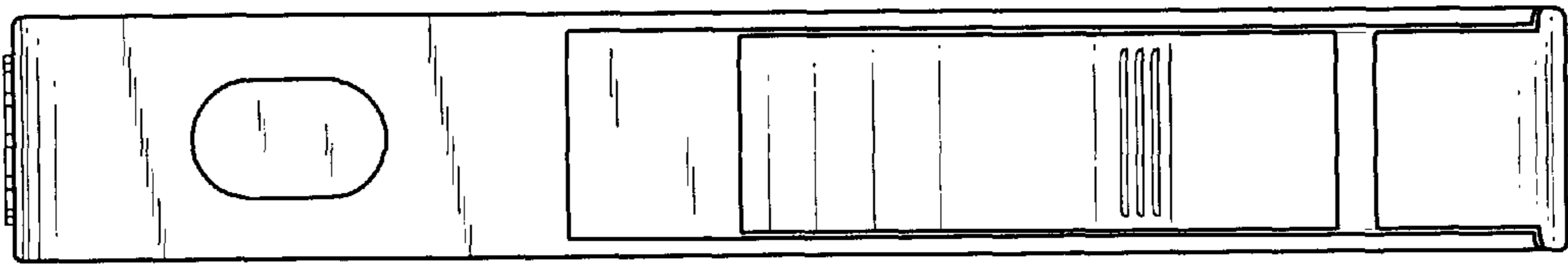
*FIG. 1*



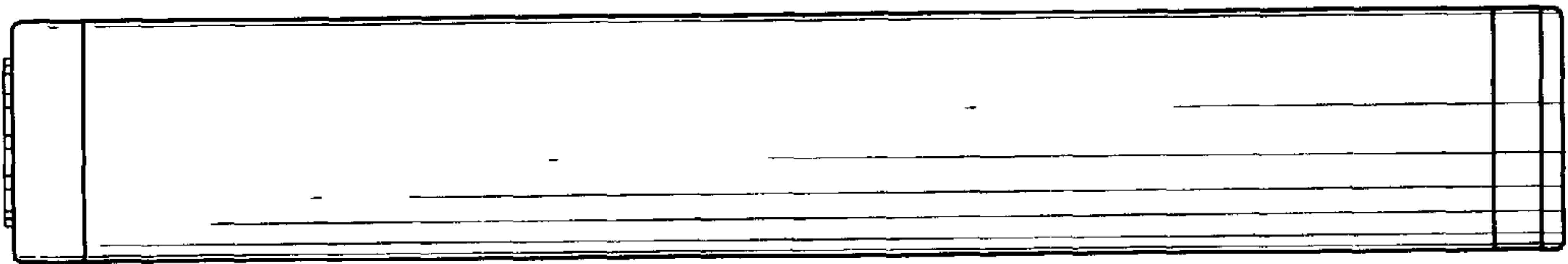
*FIG. 2*



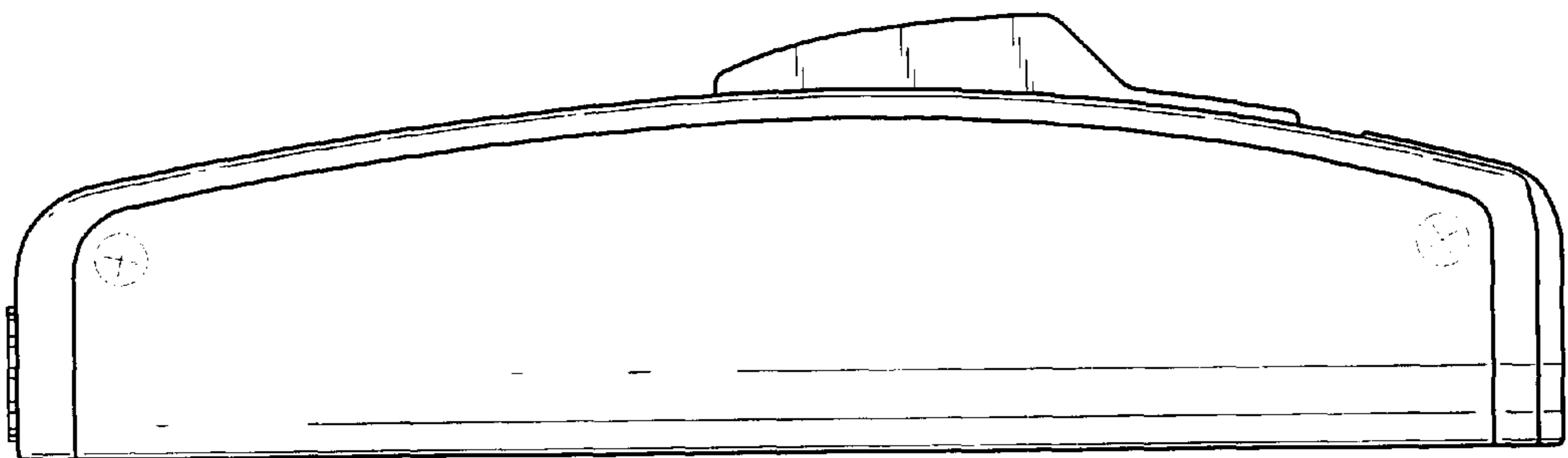
*FIG. 3*



*FIG. 4*



*FIG. 5*



*FIG. 6*