



US00D484638S

(12) **United States Design Patent**
Pallo

(10) **Patent No.:** **US D484,638 S**

(45) **Date of Patent:** **** Dec. 30, 2003**

- (54) **SURGICAL LIGHTHEAD**
- (75) Inventor: **Richard Karl Pallo**, New Hope, PA (US)
- (73) Assignee: **Steris Inc.**, Temecula, CA (US)
- (**) Term: **14 Years**
- (21) Appl. No.: **29/180,451**
- (22) Filed: **Apr. 23, 2003**

4,494,177 A	*	1/1985	Matthews	362/402
D312,140 S	*	11/1990	Jonsson	D26/63
D369,876 S	*	5/1996	Muellenmeister	D26/63
D447,261 S	*	8/2001	Tang	D26/63
D448,507 S	*	9/2001	Shen	D26/63

* cited by examiner

Primary Examiner—Clare E. Heflin
(74) *Attorney, Agent, or Firm*—Fay, Sharpe, Fagan, Minnich & McKee, LLP

Related U.S. Application Data

- (62) Division of application No. 29/160,425, filed on May 9, 2002.
- (51) **LOC (7) Cl.** **26-99**
- (52) **U.S. Cl.** **D26/142; D26/63**
- (58) **Field of Search** D26/72, 85, 87, D26/92, 61-66, 118, 113, 138, 142; 362/267, 269, 281, 285, 419, 478, 427, 430, 404-414

(56) **References Cited**

U.S. PATENT DOCUMENTS

4,135,231 A	*	1/1979	Fisher	362/269
D254,632 S	*	4/1980	Brendgord	D26/65
4,229,781 A	*	10/1980	Hitora	362/274

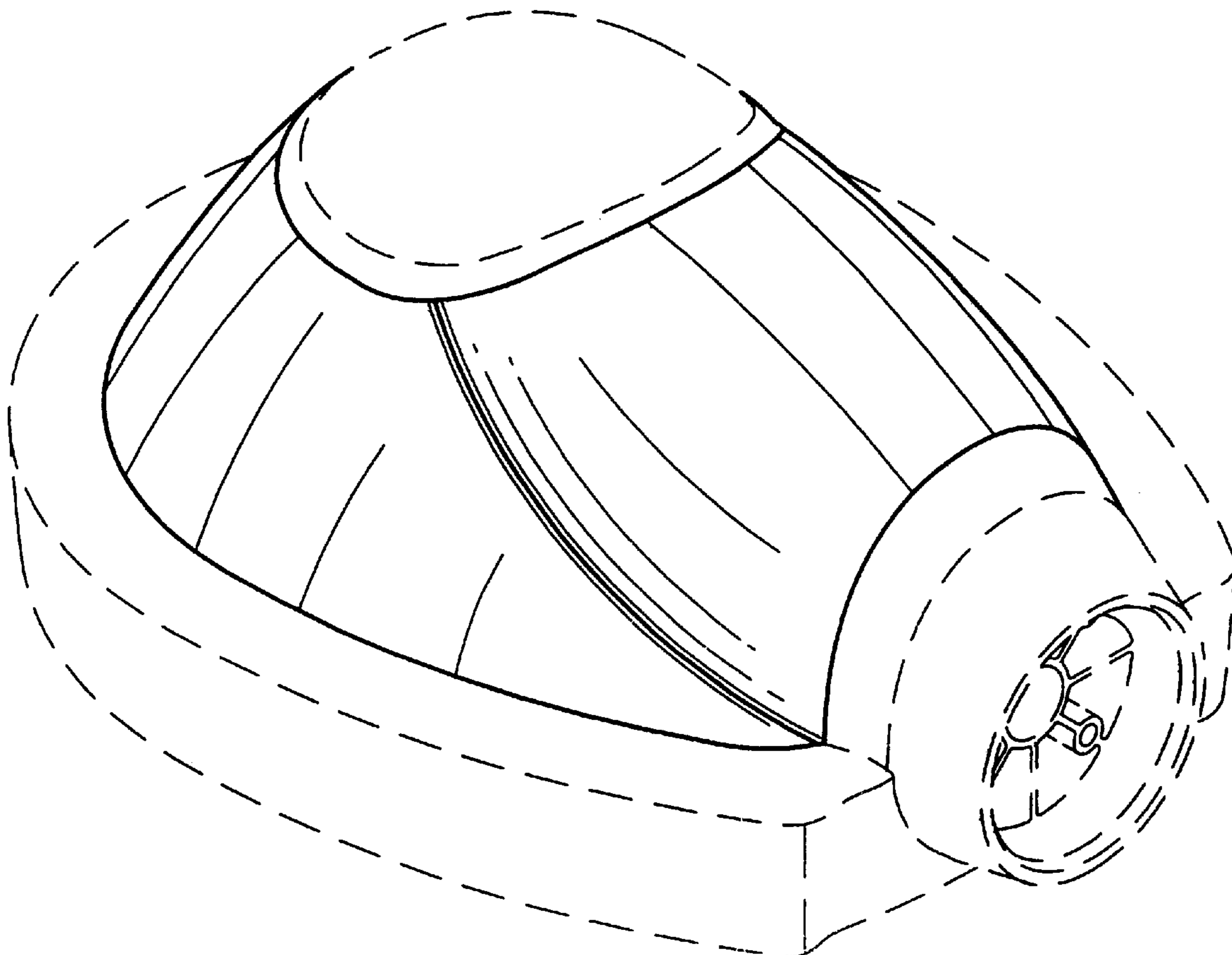
(57) **CLAIM**

The ornamental design for a surgical lighthead, as shown and described.

DESCRIPTION

FIG. 1 is a perspective view of a surgical lighthead showing my new ornamental design;
FIG. 2 is a top plan view thereof;
FIG. 3 is a left side elevational view thereof;
FIG. 4 is a right side elevational view thereof;
FIG. 5 is a rear elevational view thereof; and,
FIG. 6 is a front elevational view thereof.
The parts shown in broken lines in FIGS. 1-6 are shown for illustrative purposes only and form no part of the claimed design.

1 Claim, 3 Drawing Sheets



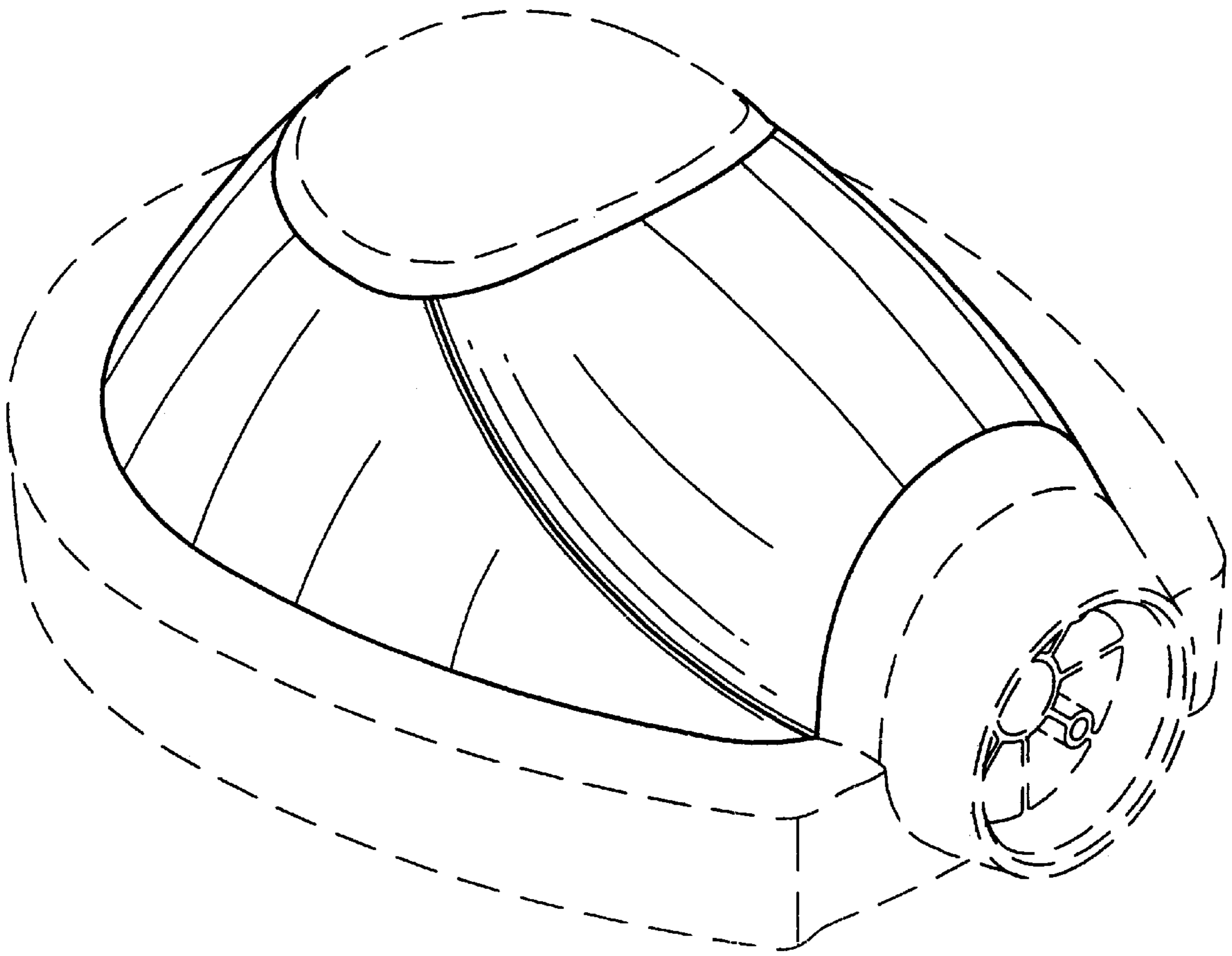


FIG. 1

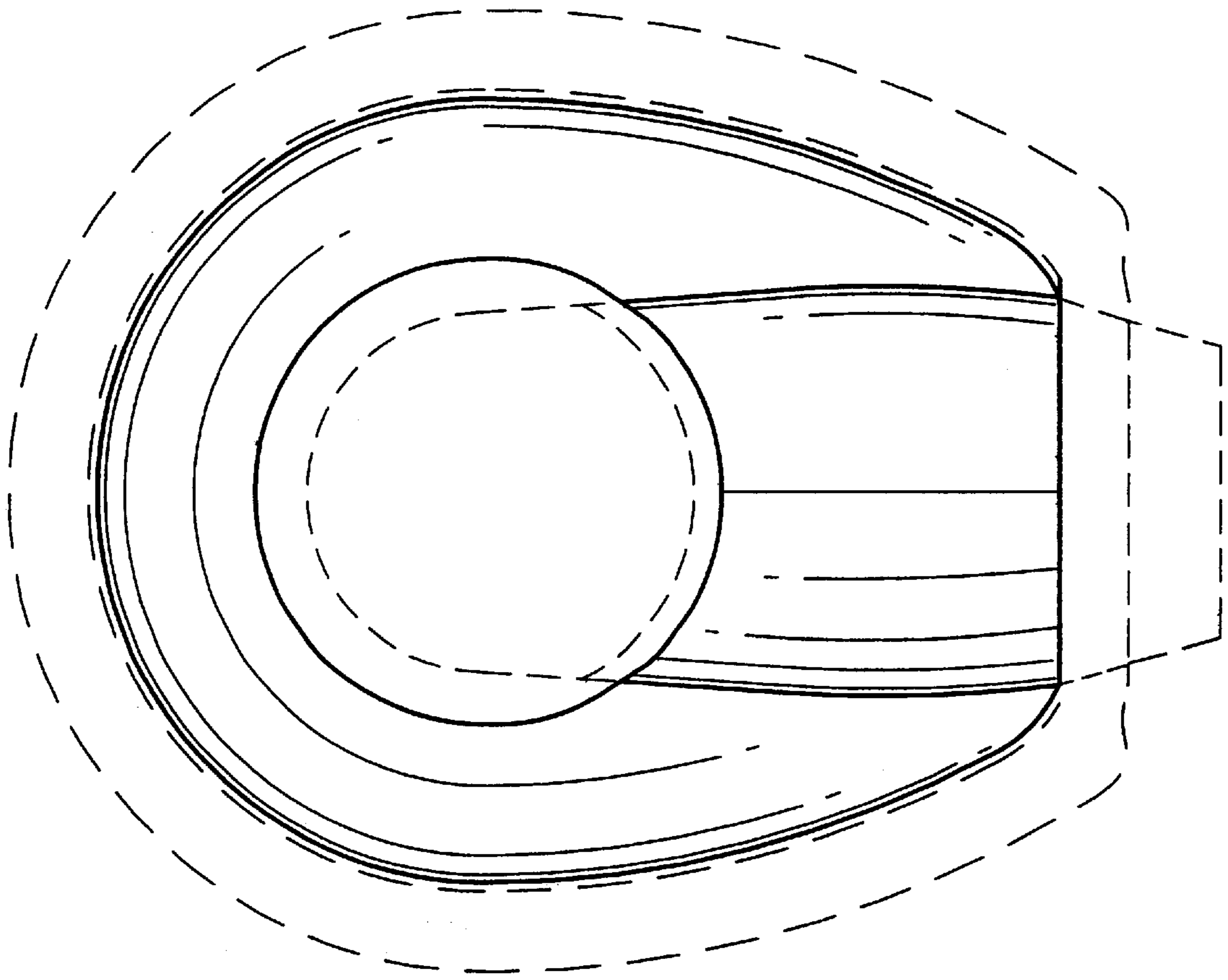


FIG. 2

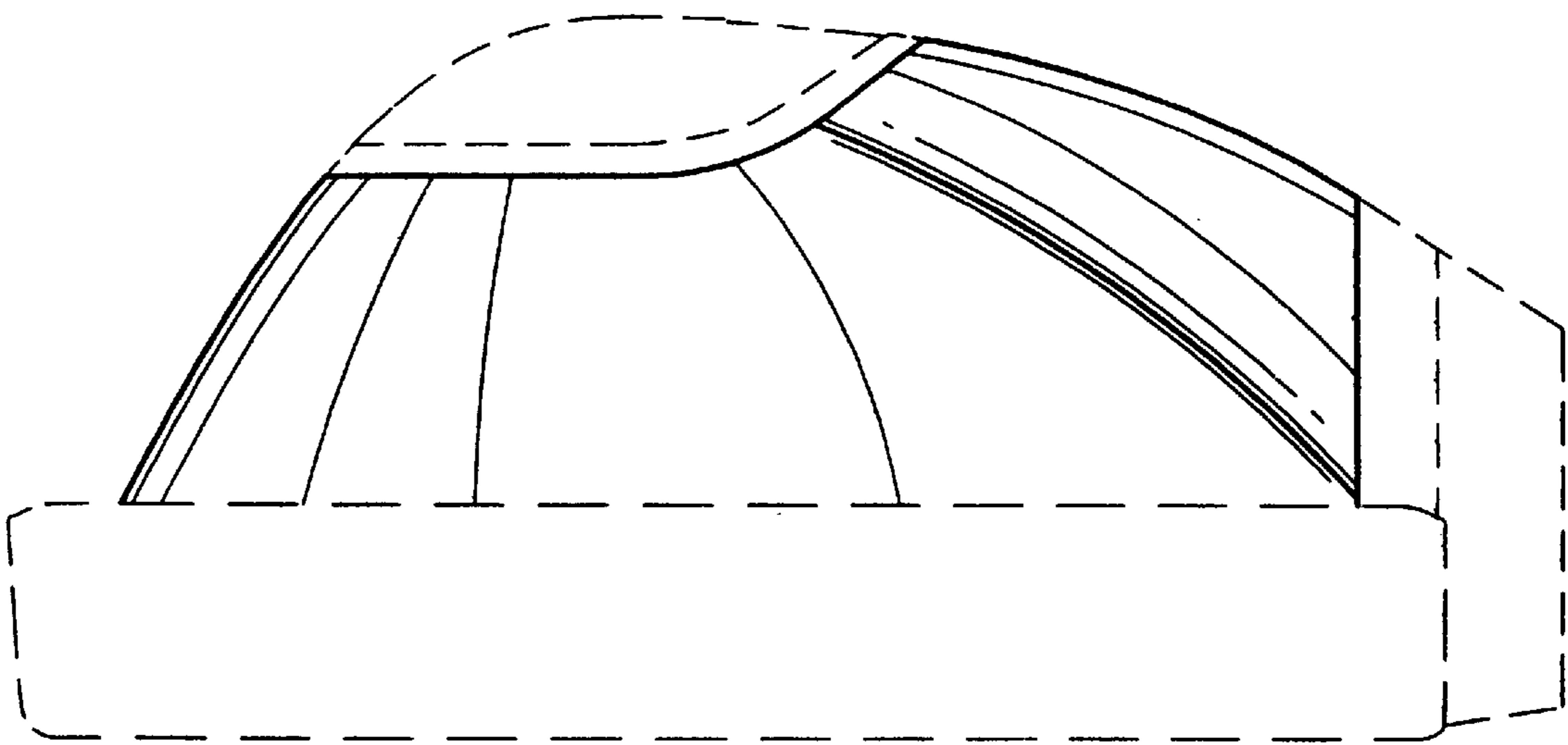


FIG. 3

FIG. 4

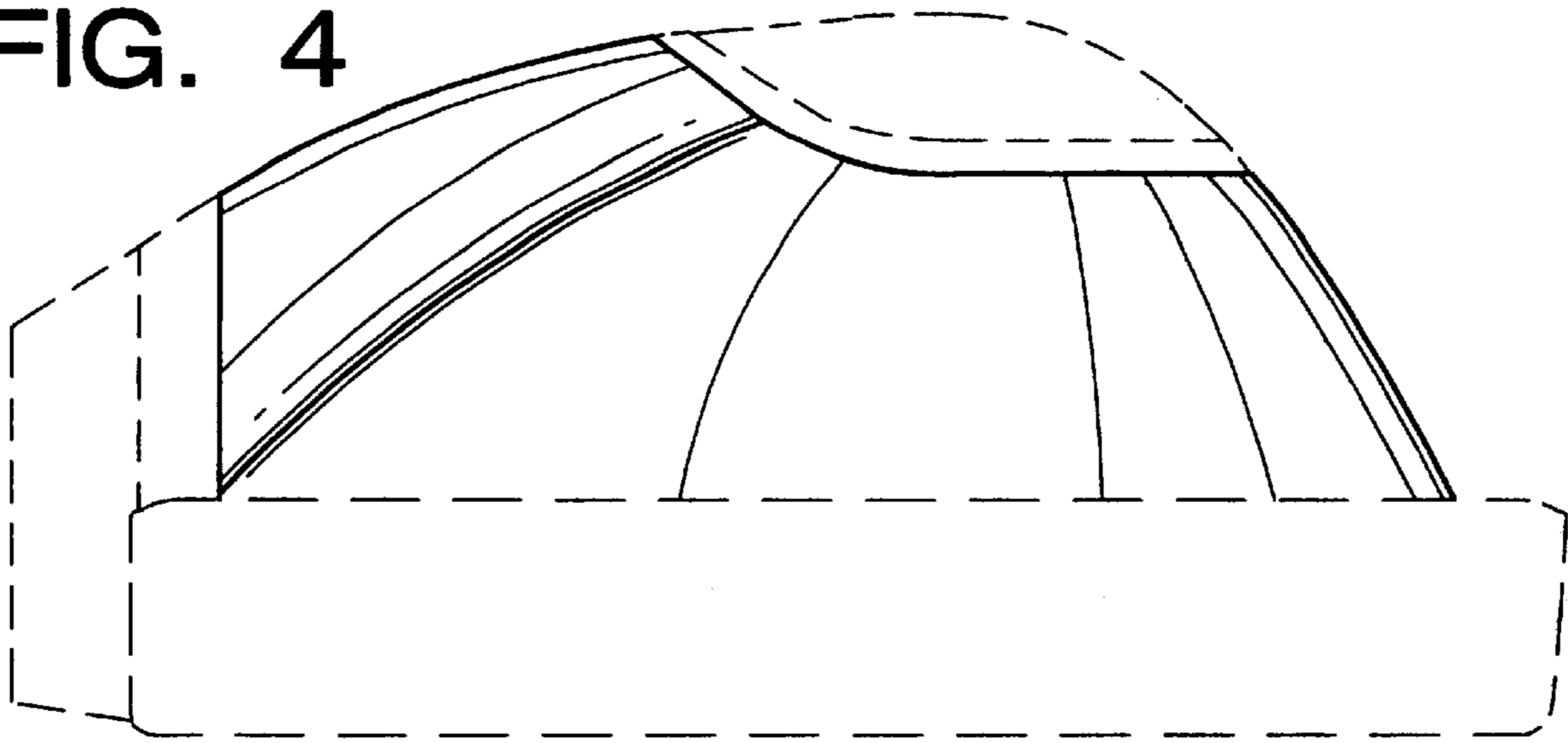


FIG. 5

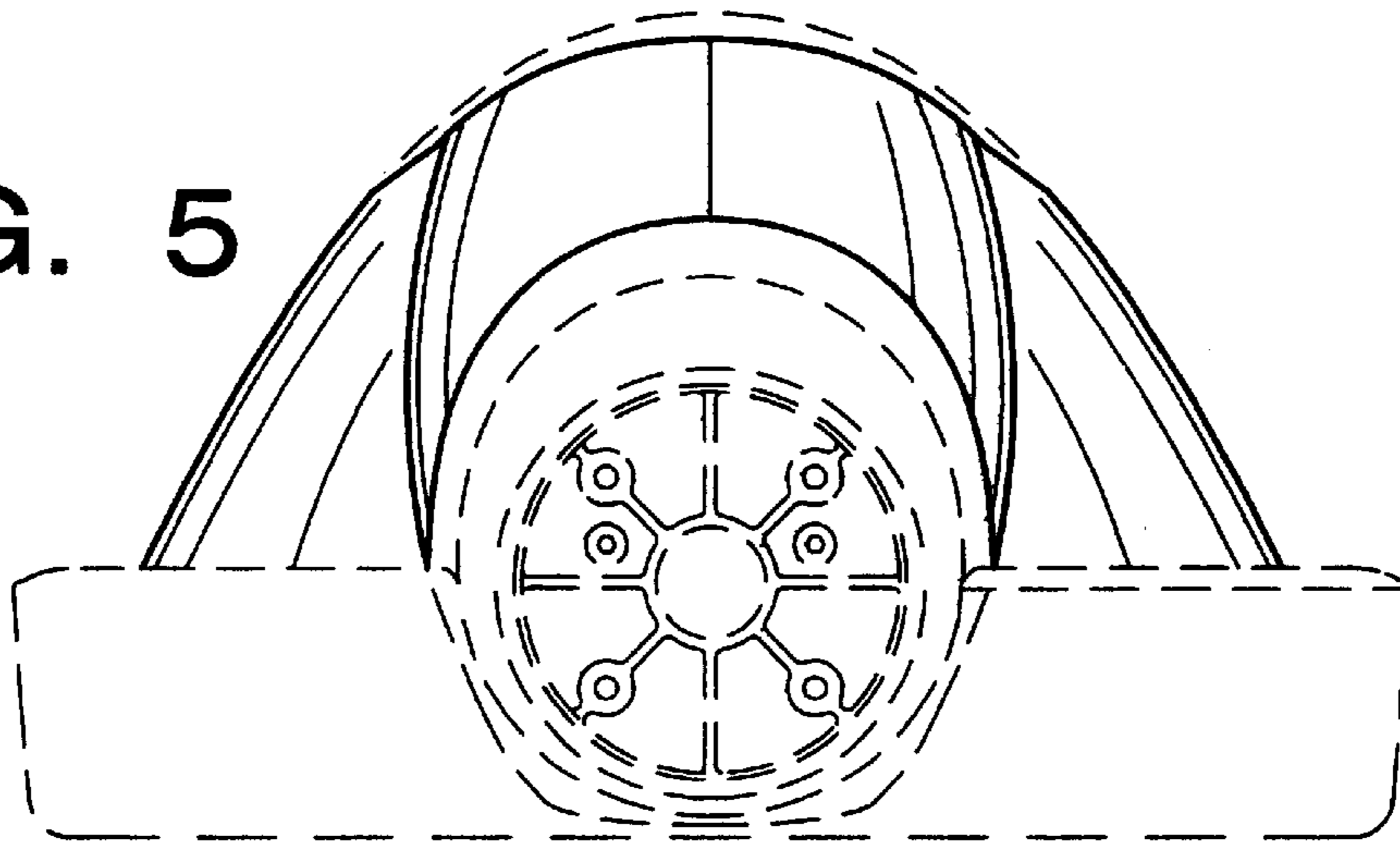


FIG. 6

