



US00D484635S

(12) **United States Design Patent** (10) **Patent No.:** **US D484,635 S**
Baarman et al. (45) **Date of Patent:** **** Dec. 30, 2003**

(54) **LAMP**

D442,302 S 5/2001 Hsu
D443,382 S 6/2001 Vong et al.
D445,525 S 7/2001 Pan

(75) Inventors: **David W. Baarman**, Fennville, MI (US); **Stephen J. McPhilliamy**, Chicago, IL (US); **Christopher B. Houghton**, Chicago, IL (US)

Primary Examiner—Alan P. Douglas
Assistant Examiner—Linda Brooks
(74) *Attorney, Agent, or Firm*—Warner Norcross & Judd LLP

(73) Assignee: **Access Business Group International LLC**, Ada, MI (US)

(**) Term: **14 Years**

(57) **CLAIM**

(21) Appl. No.: **29/183,992**

The ornamental design for a lamp, as shown and described.

(22) Filed: **Jun. 19, 2003**

DESCRIPTION

Related U.S. Application Data

FIG. 1 is a perspective view of the lamp embodying the new design;

(62) Division of application No. 29/165,005, filed on Aug. 2, 2002.

FIG. 2 is a front elevational view thereof;

(51) **LOC (7) Cl.** **26-03**

FIG. 3 is a rear elevational view thereof;

(52) **U.S. Cl.** **D26/108**

FIG. 4 is a right side elevational view thereof;

(58) **Field of Search** D26/9, 72-93,
D26/67, 68, 104, 107, 108, 112; 362/125,
154, 157, 277, 363, 404-414

FIG. 5 is a left side elevational view thereof;

FIG. 6 is a top plan view thereof; and,

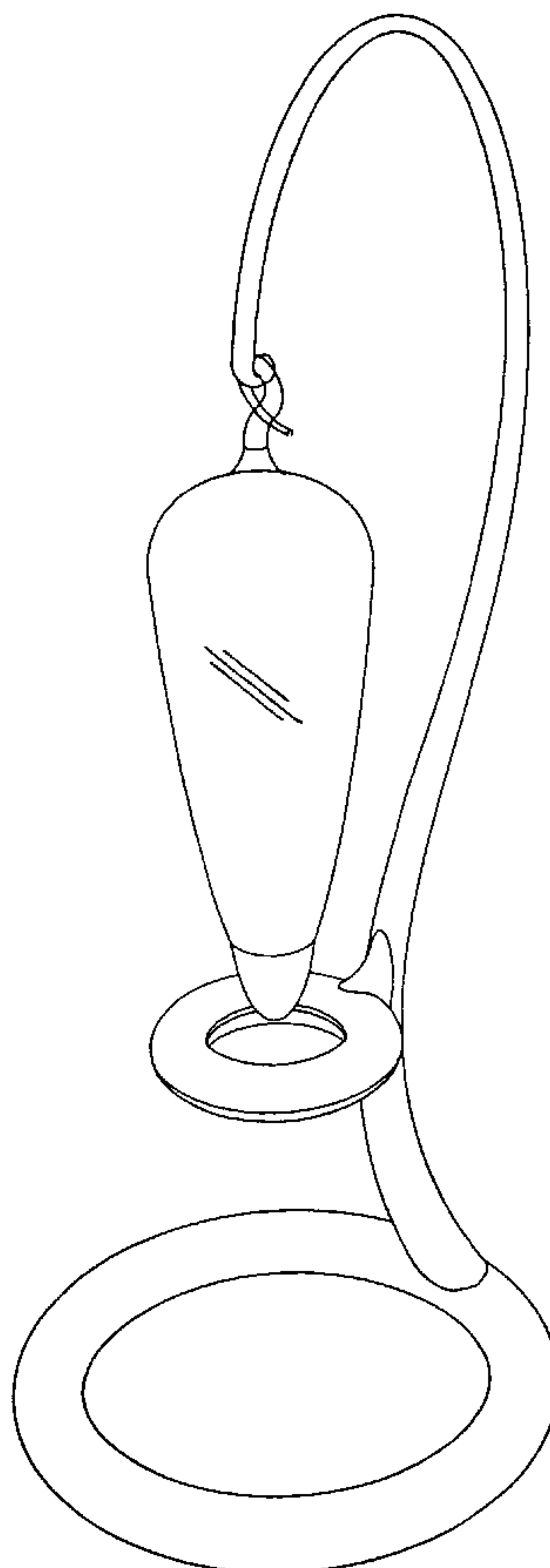
FIG. 7 is a bottom plan view thereof.

(56) **References Cited**

U.S. PATENT DOCUMENTS

D74,629 S 3/1928 Salterini

1 Claim, 7 Drawing Sheets



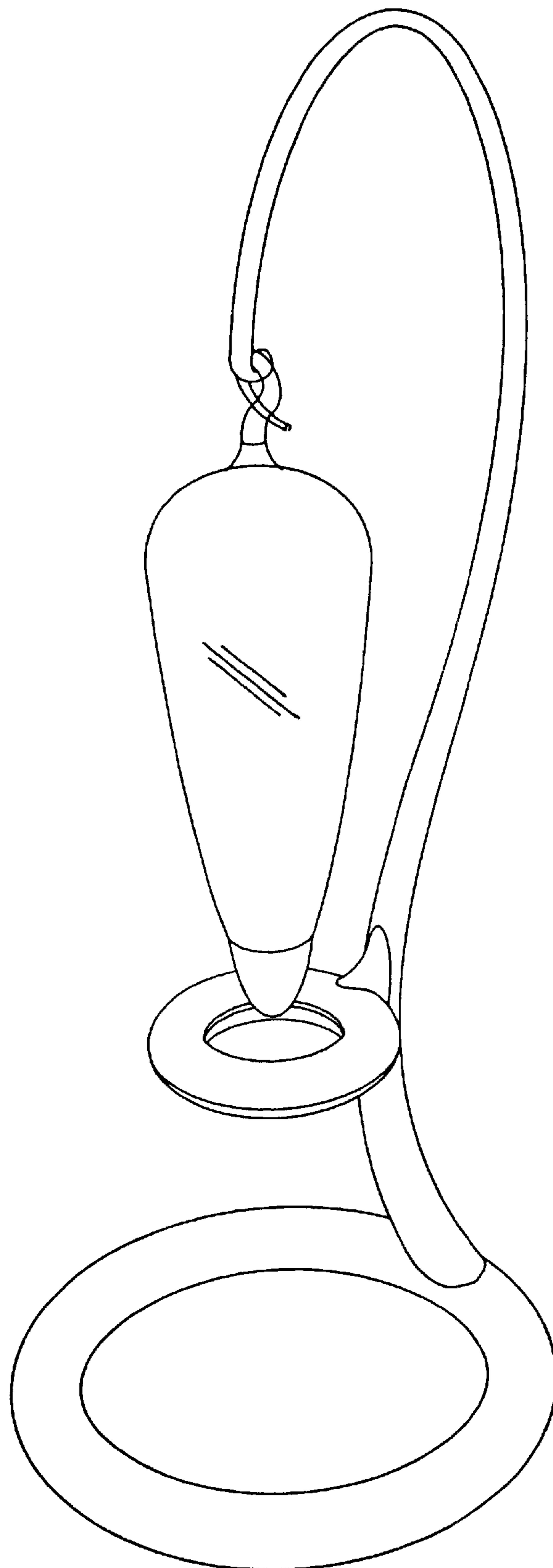


Fig. 1

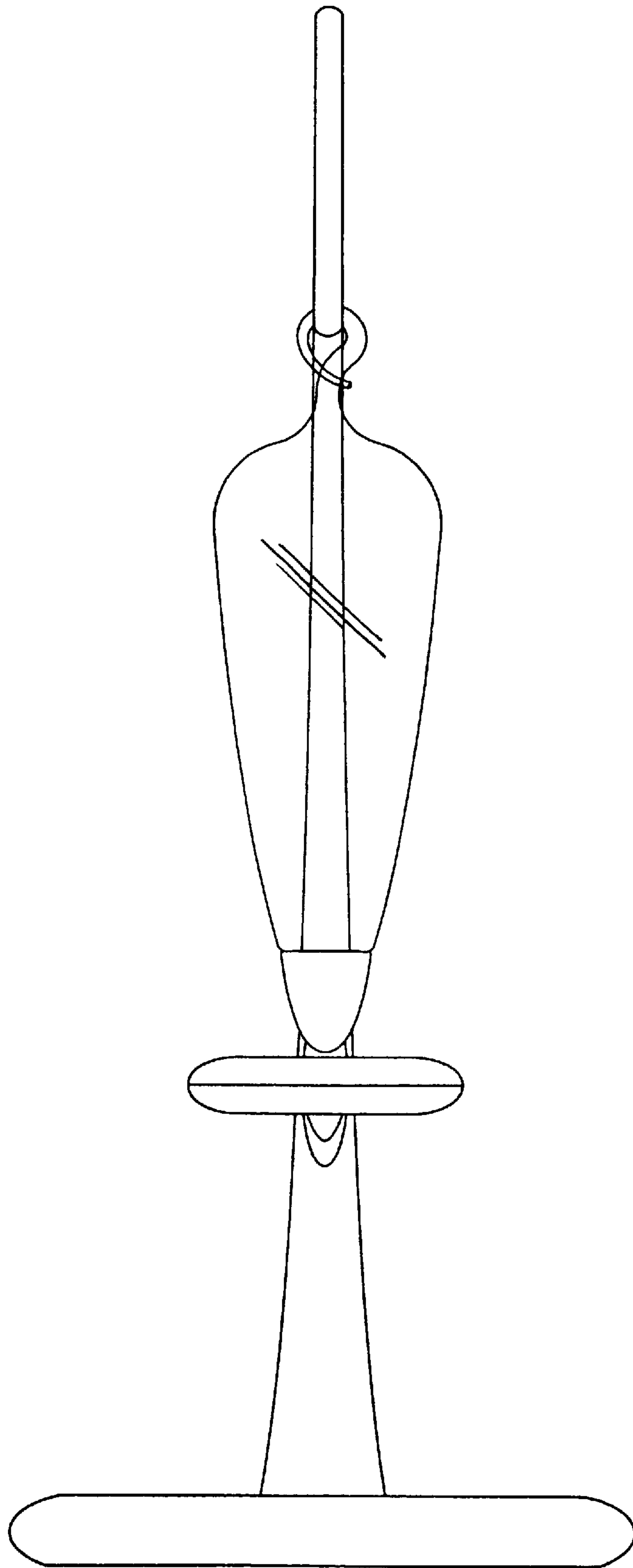


Fig. 2

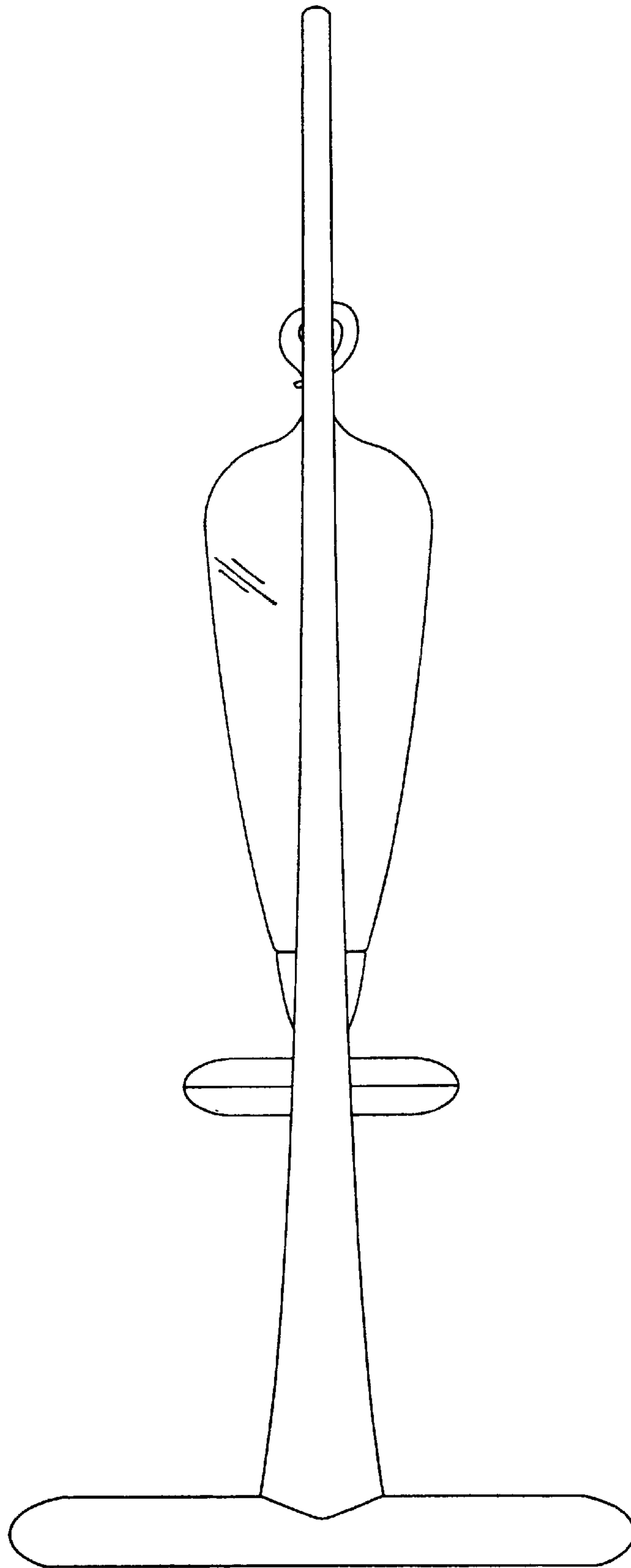


Fig. 3

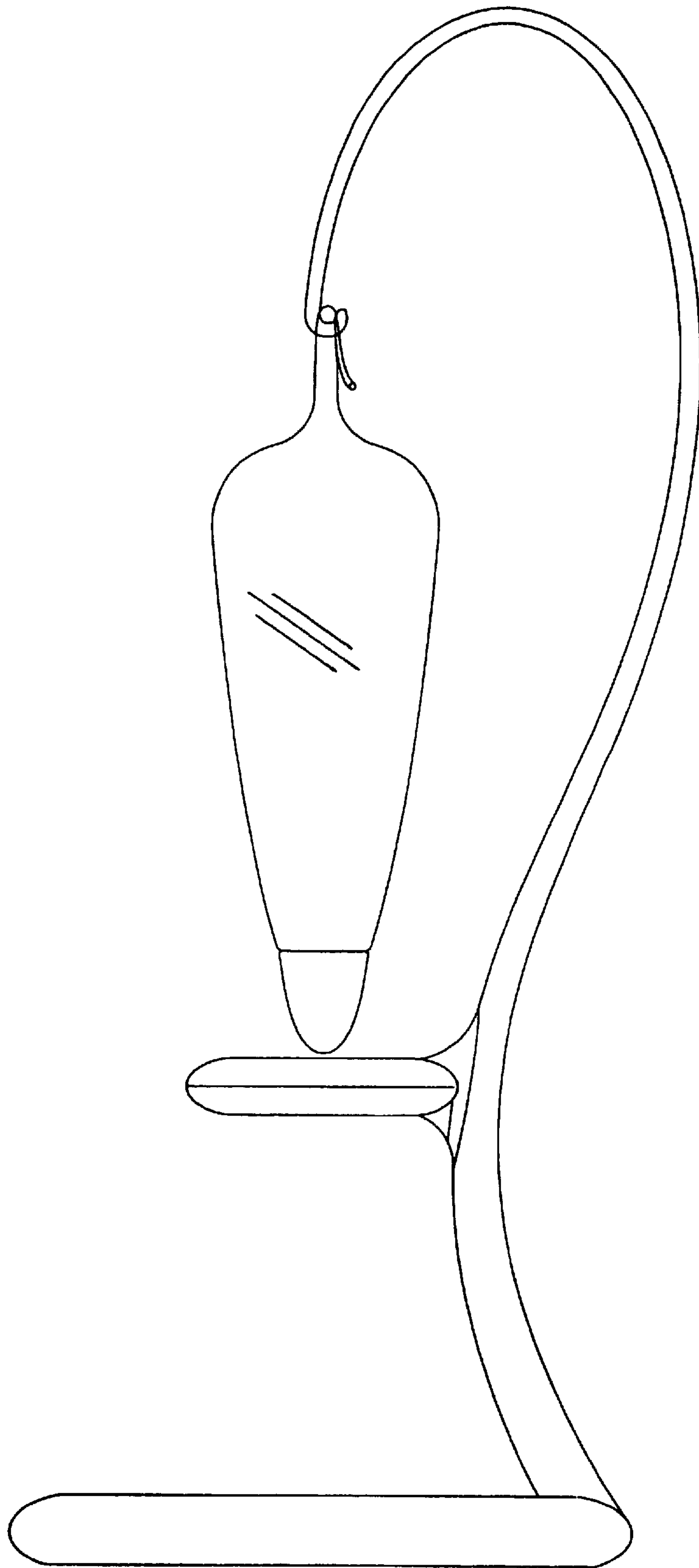


Fig. 4

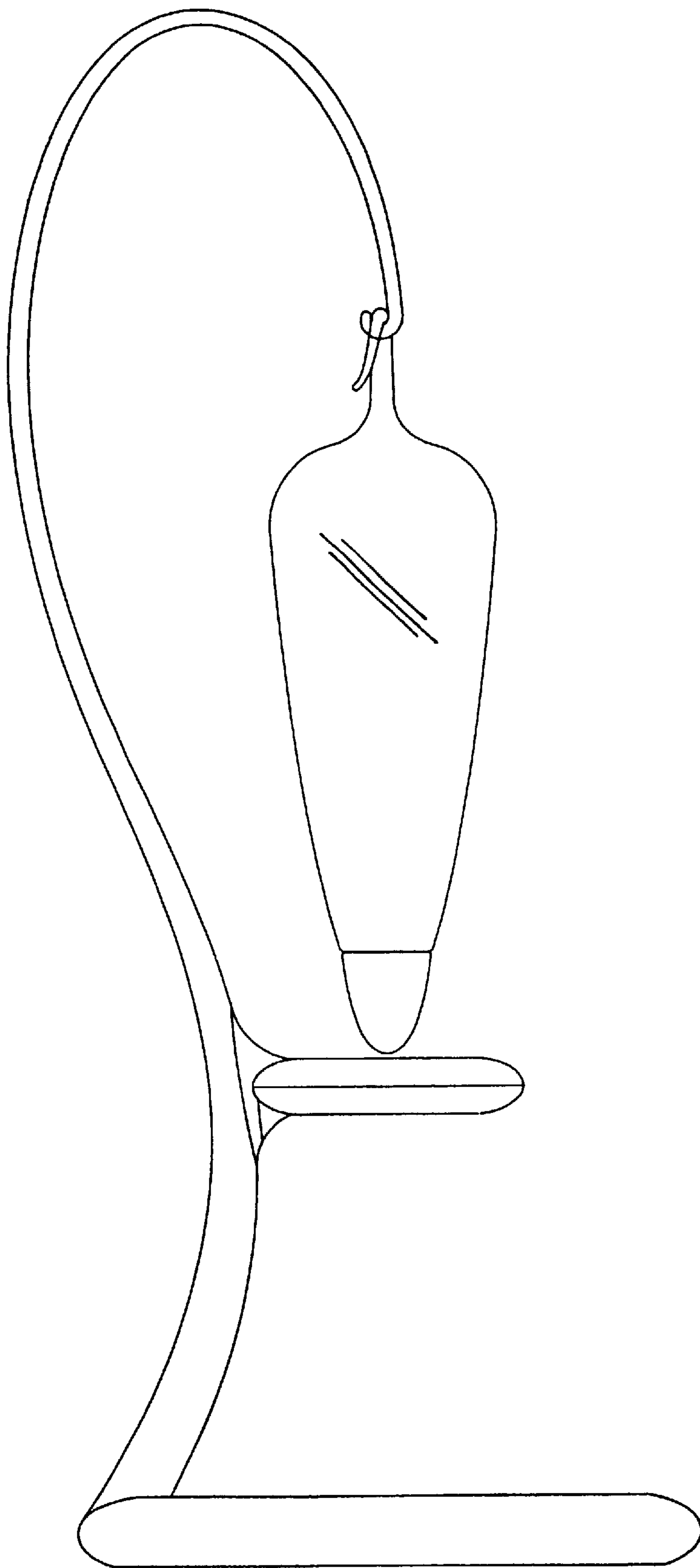


Fig. 5

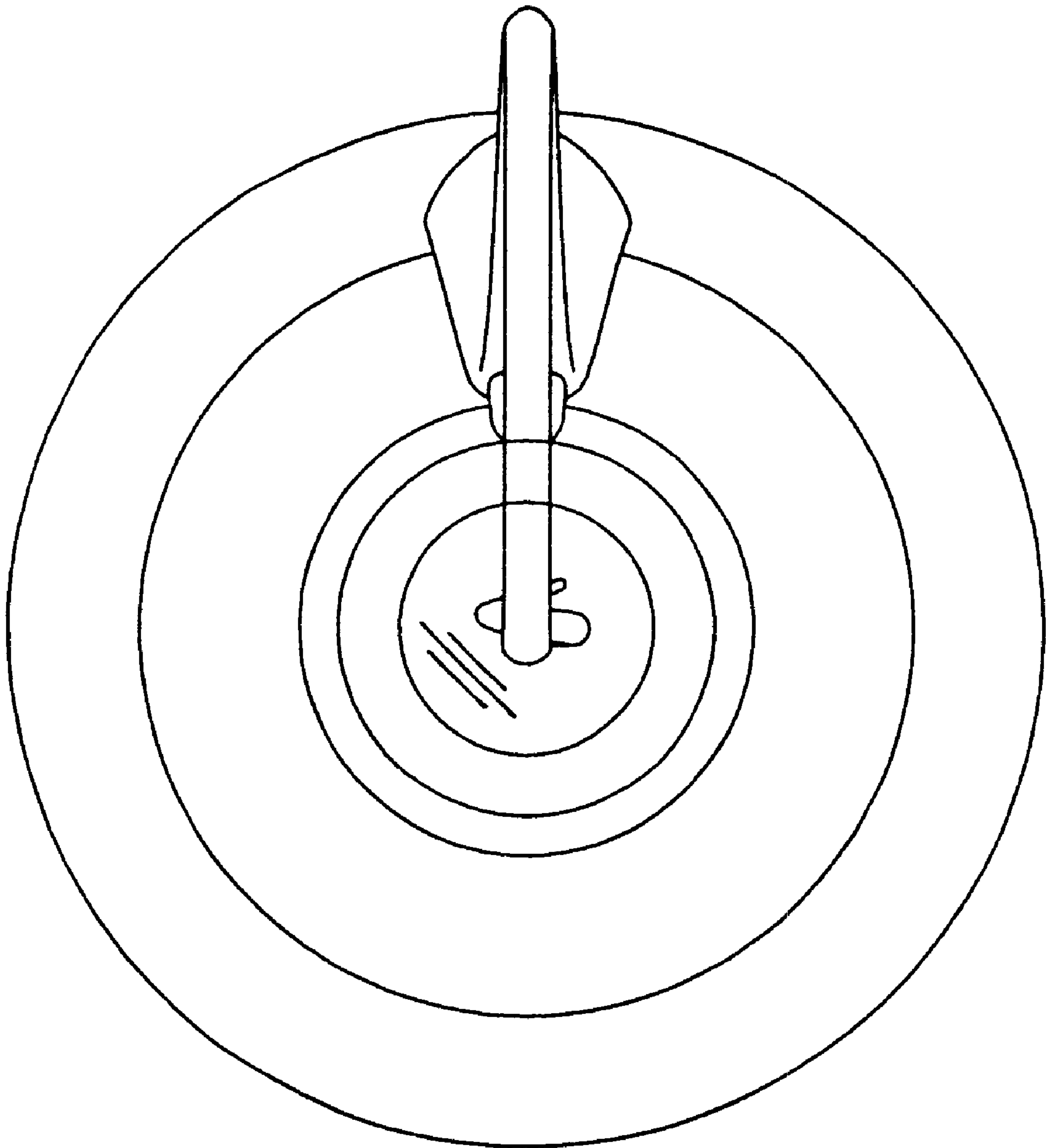


Fig. 6

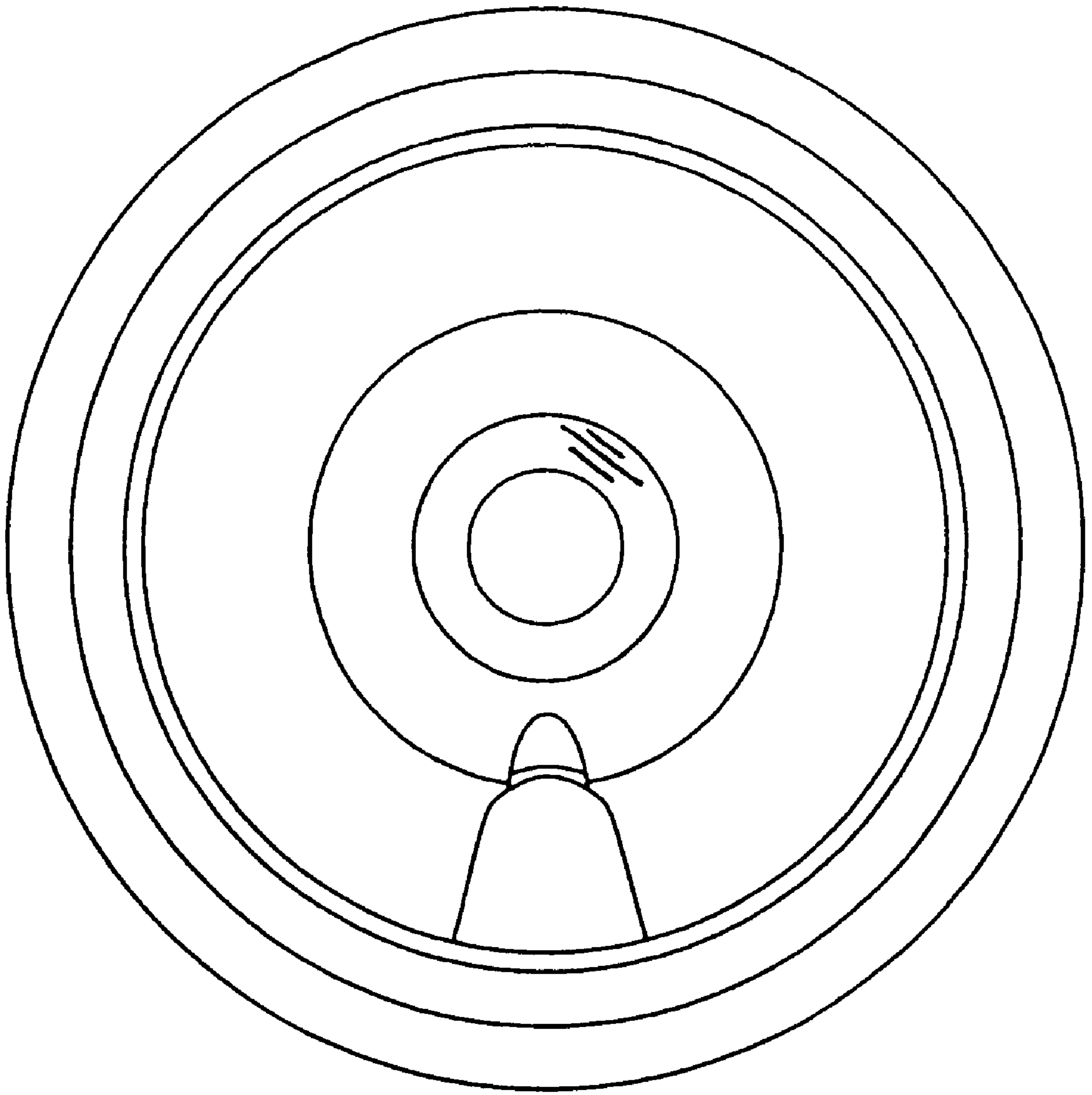


Fig. 7