



US00D484631S

(12) **United States Design Patent**
Chen

(10) **Patent No.:** **US D484,631 S**

(45) **Date of Patent:** **** Dec. 30, 2003**

(54) **SOLAR LIGHT**

(75) Inventor: **Chi Gon Chen**, Guang Zhou (CN)

(73) Assignee: **International Development Corporation**, Southlake, TX (US)

(**) Term: **14 Years**

(21) Appl. No.: **29/176,012**

(22) Filed: **Feb. 13, 2003**

(51) **LOC (7) Cl.** **26-05**

(52) **U.S. Cl.** **D26/67**

(58) **Field of Search** D26/67-72, 88,
D26/89; 362/153, 153.1, 159, 209, 266,
267, 269, 273, 363, 431, 432, 805

(56) **References Cited**

U.S. PATENT DOCUMENTS

| | | | | | |
|------------|---|---------|--------------|-------|--------|
| D21,973 S | * | 11/1892 | Warren, Jr. | | D26/68 |
| D67,929 S | * | 8/1925 | Lipschutz | | D26/24 |
| D338,978 S | * | 8/1993 | Ewing et al. | | D26/67 |
| D360,048 S | * | 7/1995 | Messina, Jr. | | D26/67 |
| D458,702 S | * | 6/2002 | Ellis | | D26/68 |
| D466,243 S | * | 11/2002 | Chen | | D26/67 |

OTHER PUBLICATIONS

Seagull Lighting Products, Inc. Catalog 2001. All items on p. 291.*

Progress Lighting catalog (c) 2000. Items P5250-33 and P5263-31 on p. 319.*

Solutions 2002 catalog (catalog code 240124024). Item #64945 "Cypress Solar Light" on p. 57.*

* cited by examiner

Primary Examiner—Clare E Heflin

(74) *Attorney, Agent, or Firm*—Gardere Wynne Sewell LLP; Kenneth T. Emanuelson

(57) **CLAIM**

The ornamental design for the solar light, as shown and described.

DESCRIPTION

FIG. 1 is a three-dimensional view of one embodiment of a solar light showing the new design;

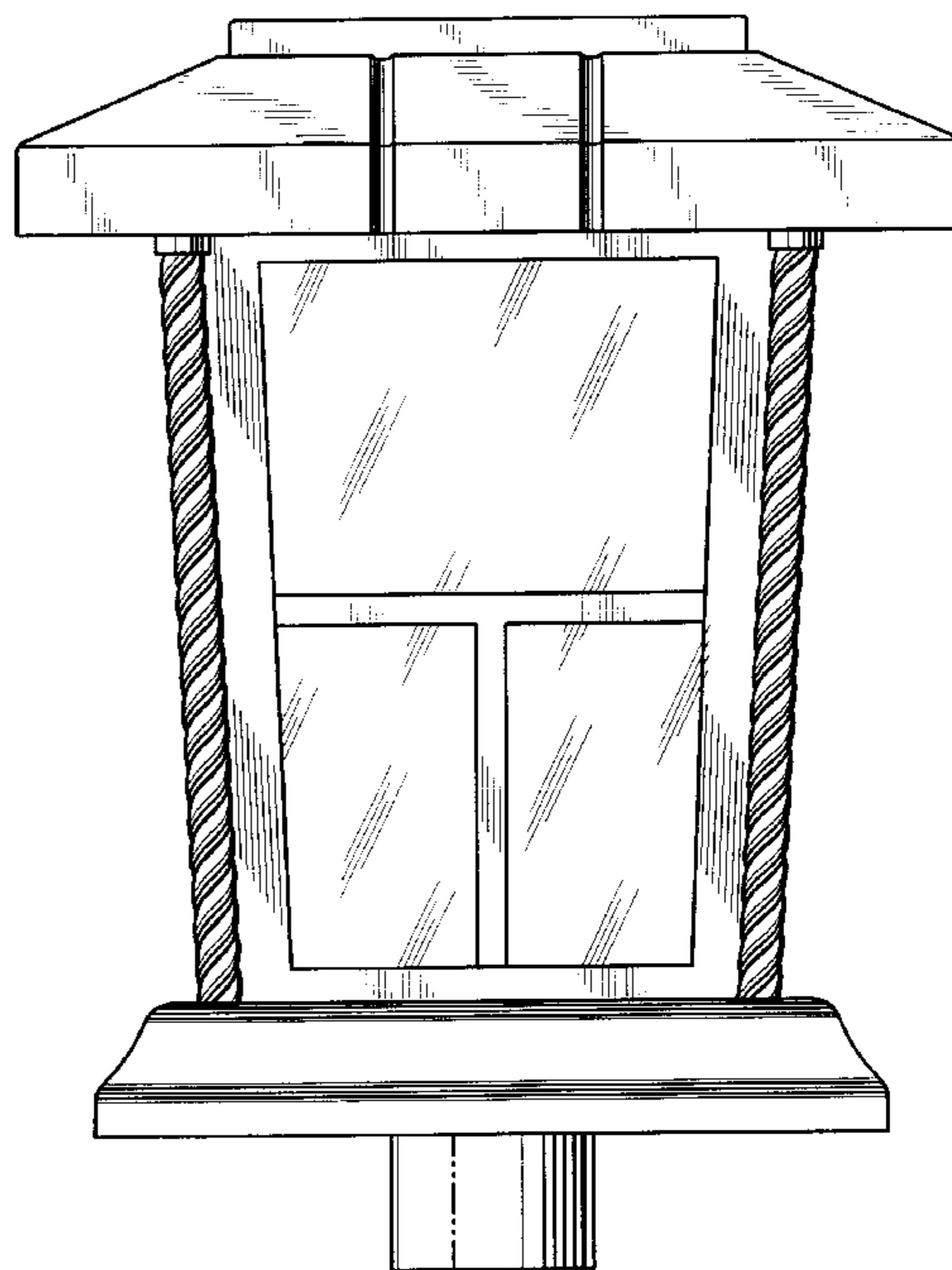
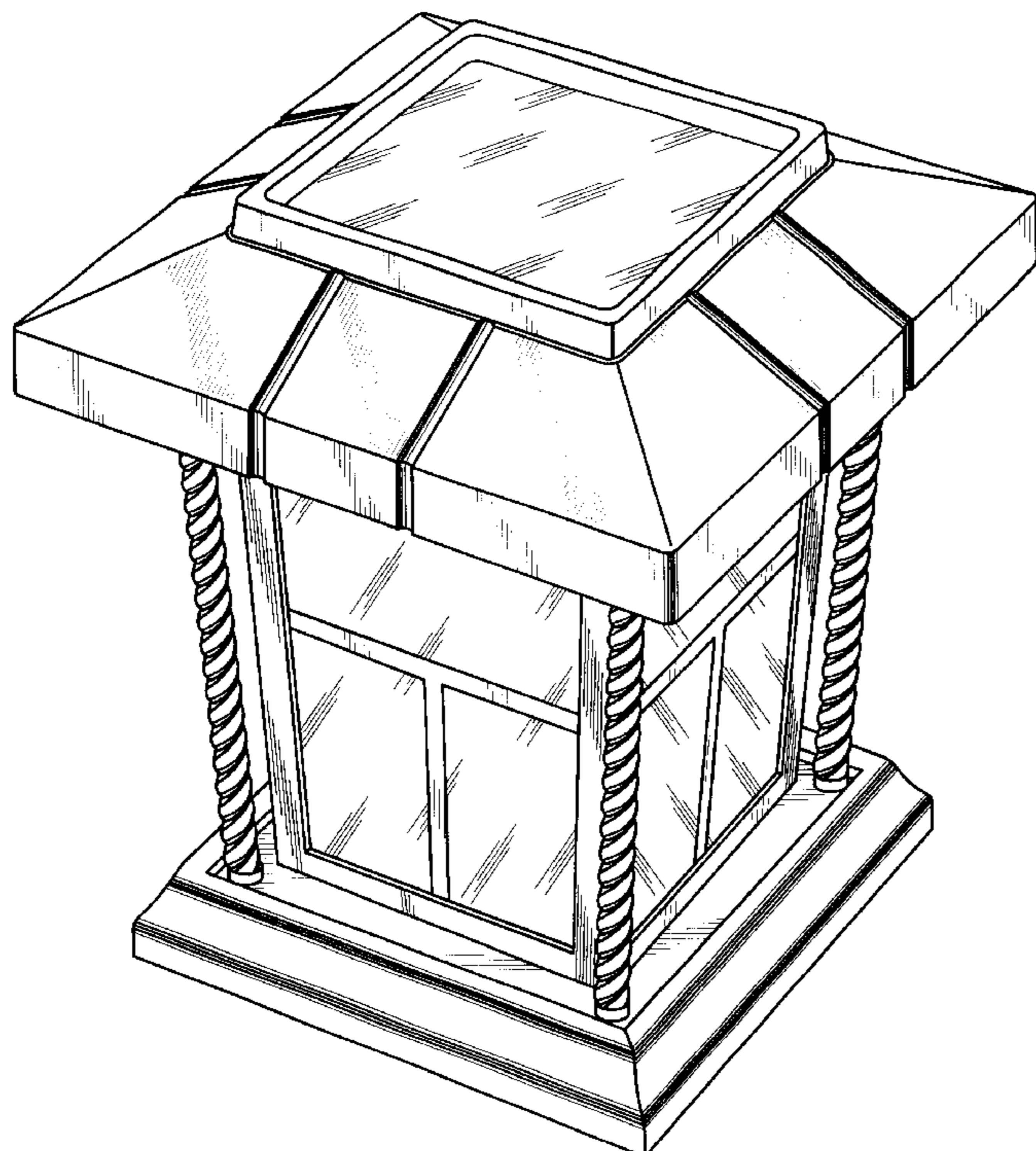
FIG. 2 is a top view thereof;

FIG. 3 is a bottom view thereof;

FIG. 4 is a right side view thereof; and,

FIG. 5 is a diagonal side view thereof.

1 Claim, 2 Drawing Sheets



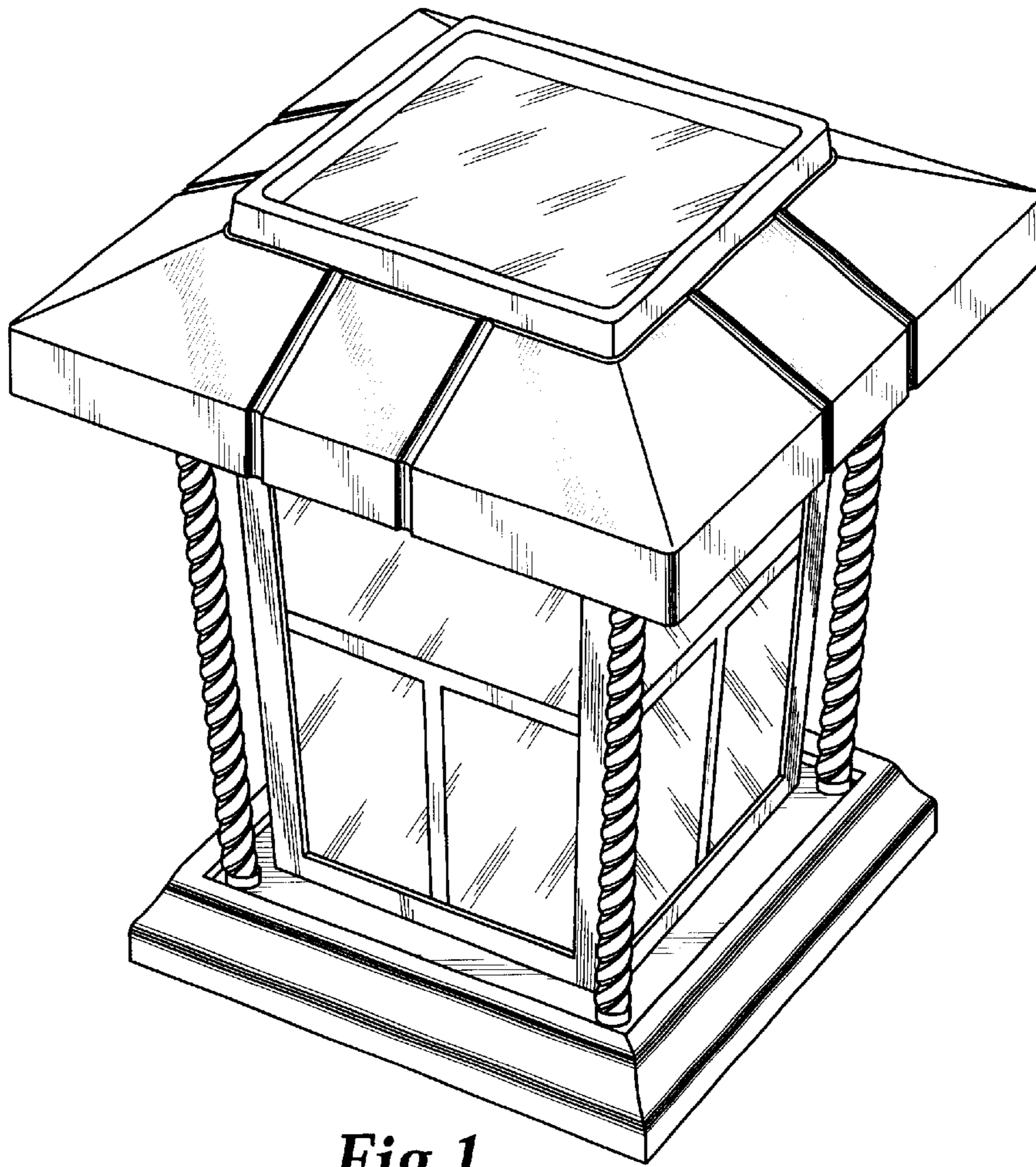


Fig. 1

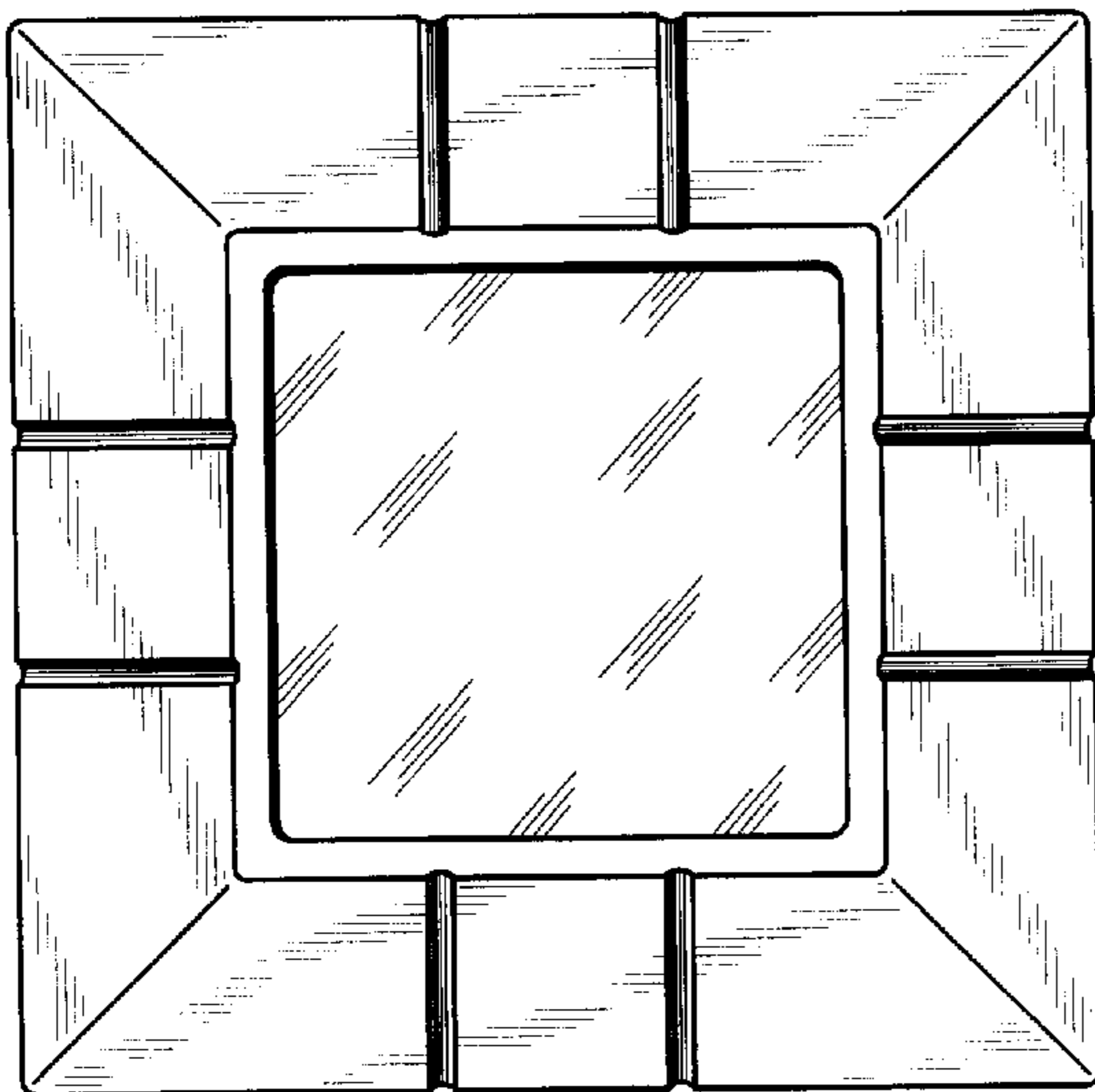


Fig. 2

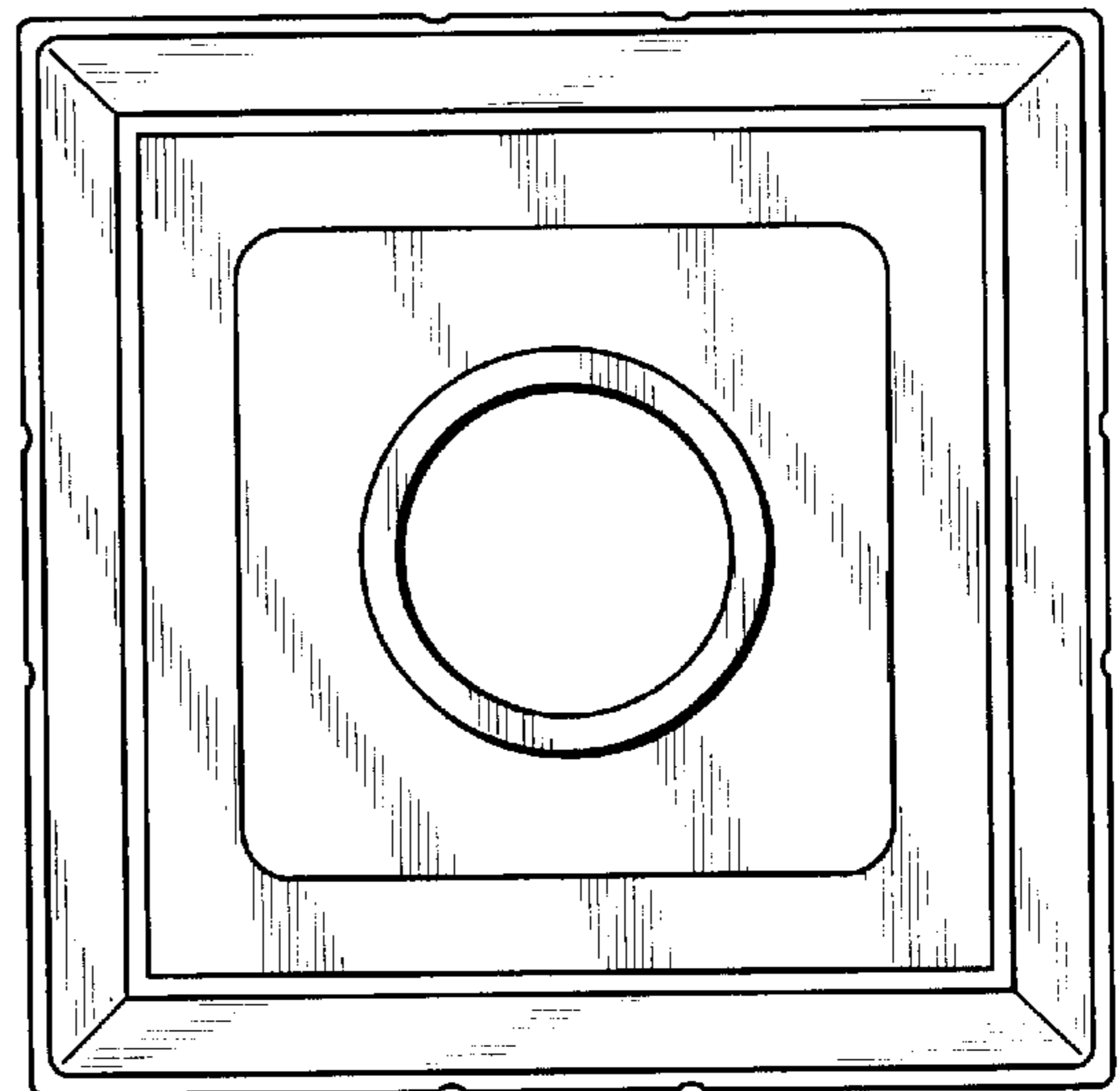


Fig. 3

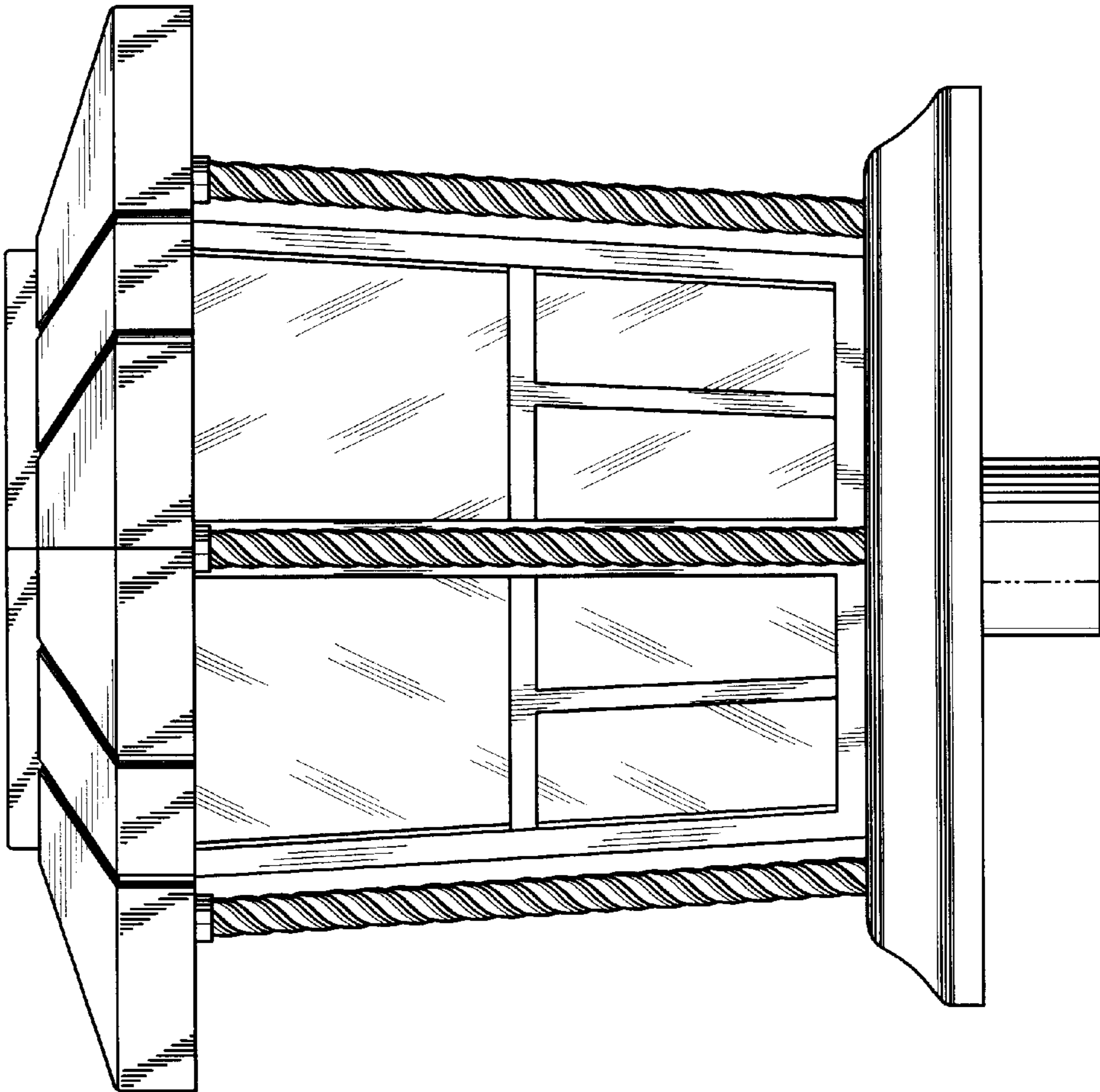


Fig. 5

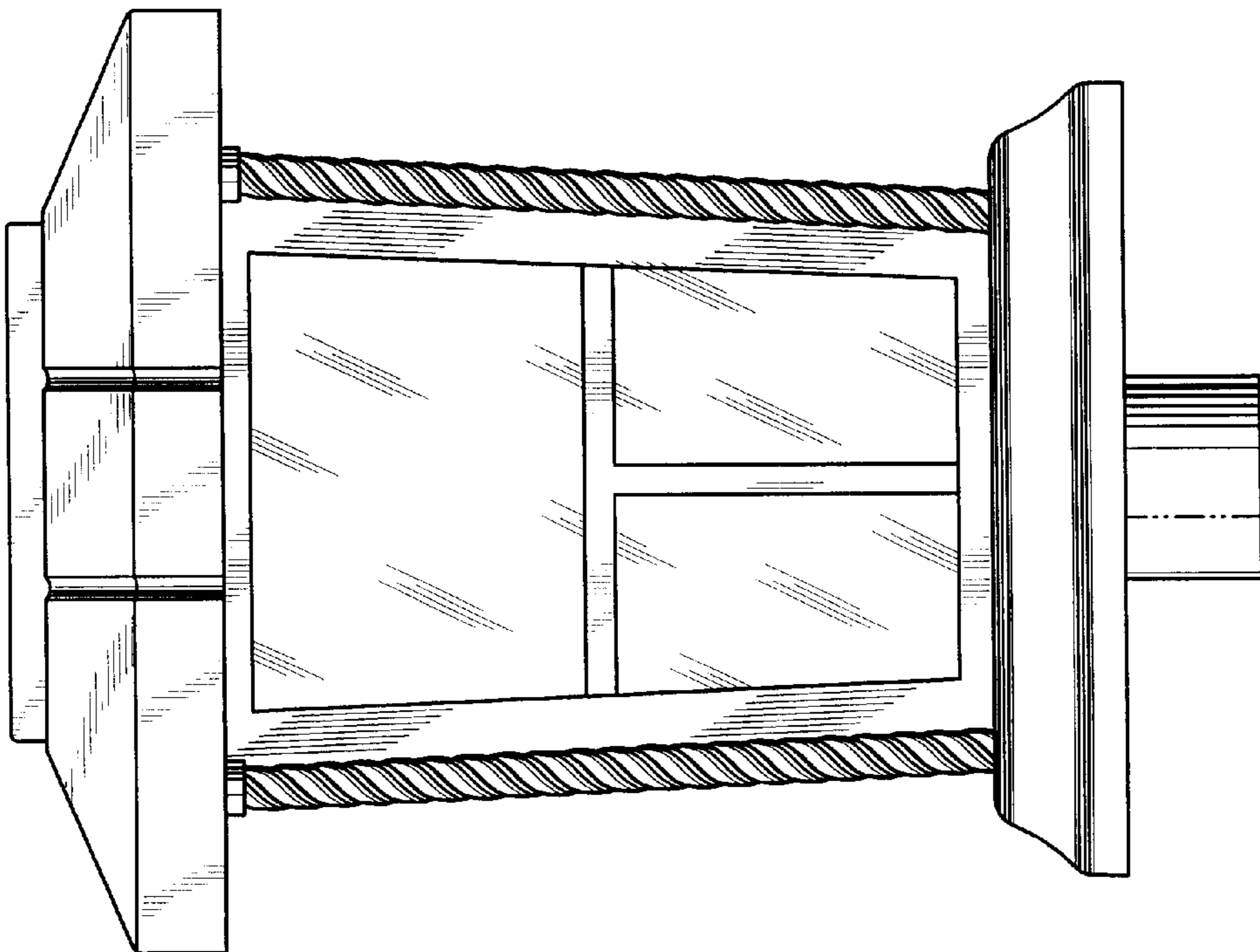


Fig. 4