



US00D484630S

(12) **United States Design Patent**  
**Chen**

(10) **Patent No.:** **US D484,630 S**

(45) **Date of Patent:** **\*\* Dec. 30, 2003**

(54) **SOLAR LIGHT**

(75) Inventor: **Chi Gon Chen**, Guang Zhou (CN)

(73) Assignee: **International Development Corporation**, Southlake, TX (US)

(\*\*) Term: **14 Years**

(21) Appl. No.: **29/176,005**

(22) Filed: **Feb. 14, 2003**

(51) **LOC (7) Cl.** ..... **26-05**

(52) **U.S. Cl.** ..... **D26/67**

(58) **Field of Search** ..... D26/67-72, 88,  
D26/89; 362/153, 153.1, 159, 209, 266,  
267, 269, 273, 363, 431, 432, 805

(56) **References Cited**

**U.S. PATENT DOCUMENTS**

D461,921 S \* 8/2002 Ellis ..... D26/67  
D466,639 S \* 12/2002 Kuelbs ..... D26/67

**OTHER PUBLICATIONS**

Camellia and Main Spring 2003 (catalog code PCB100). p. 50. Item C-Solar Garden Light. □□Found online through Google Catalog Search.\*

Solutions 2002 Catalog (catalog code 241024024). Solar-powered accent light on bottom left of p. 57. □□Found online through Google Catalog Search.\*

\* cited by examiner

*Primary Examiner*—Clare E. Heflin

(74) *Attorney, Agent, or Firm*—Gardere Wynne Sewell LLP; Kenneth T. Emanuelson

(57) **CLAIM**

The ornamental design for the solar light, as shown and described.

**DESCRIPTION**

FIG. 1 is a three-dimensional view of one embodiment of a solar light of a new design;

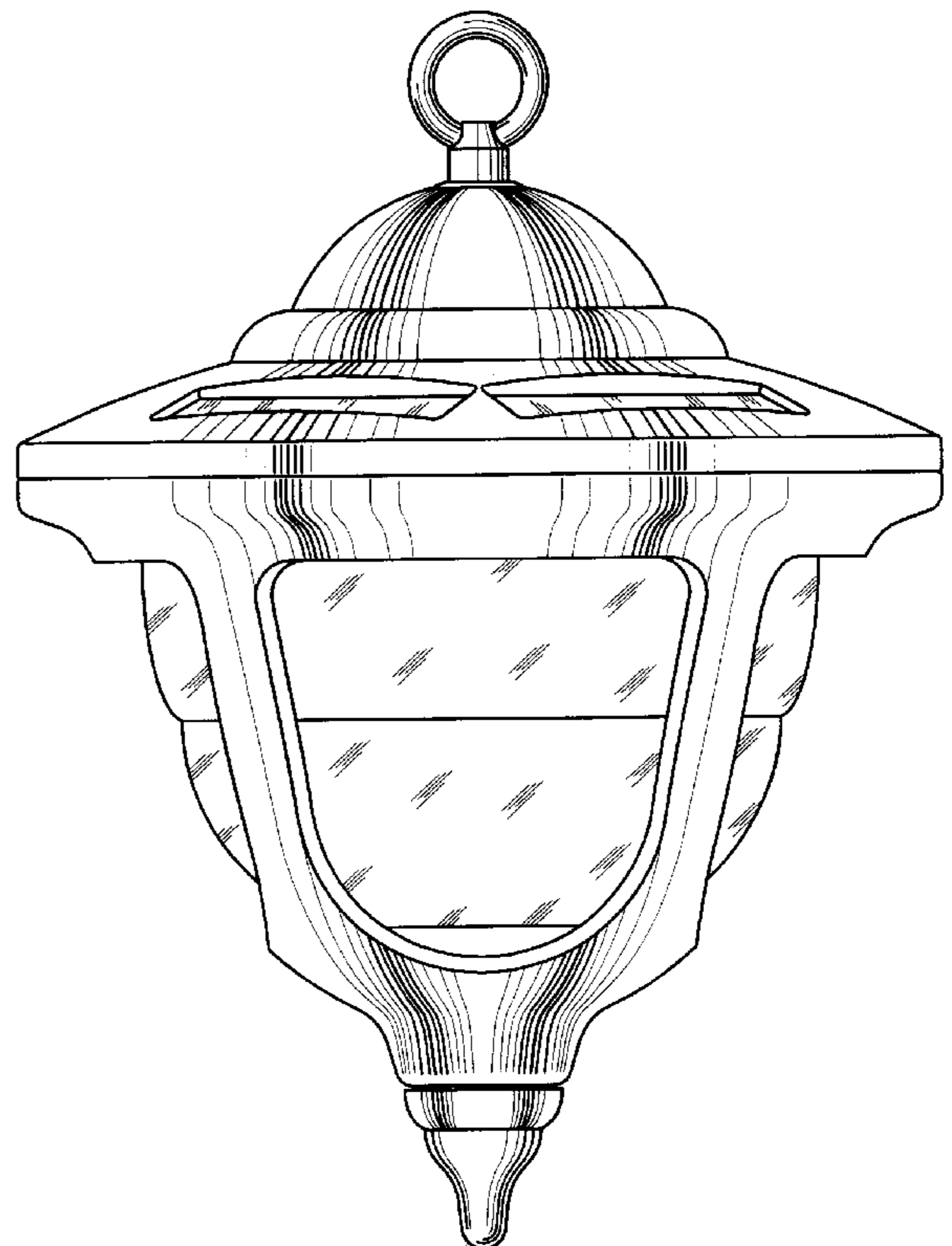
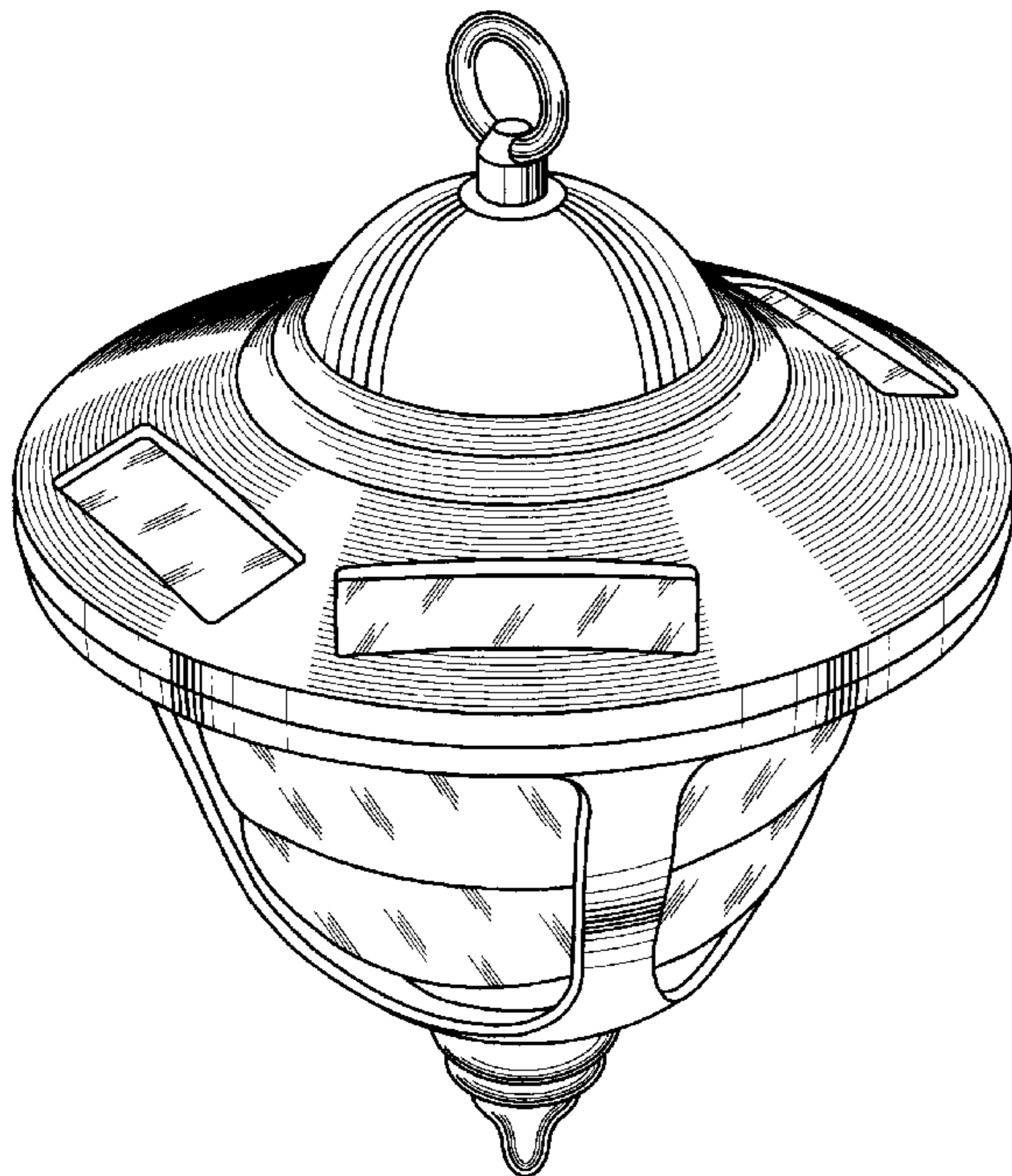
FIG. 2 is a top view thereof;

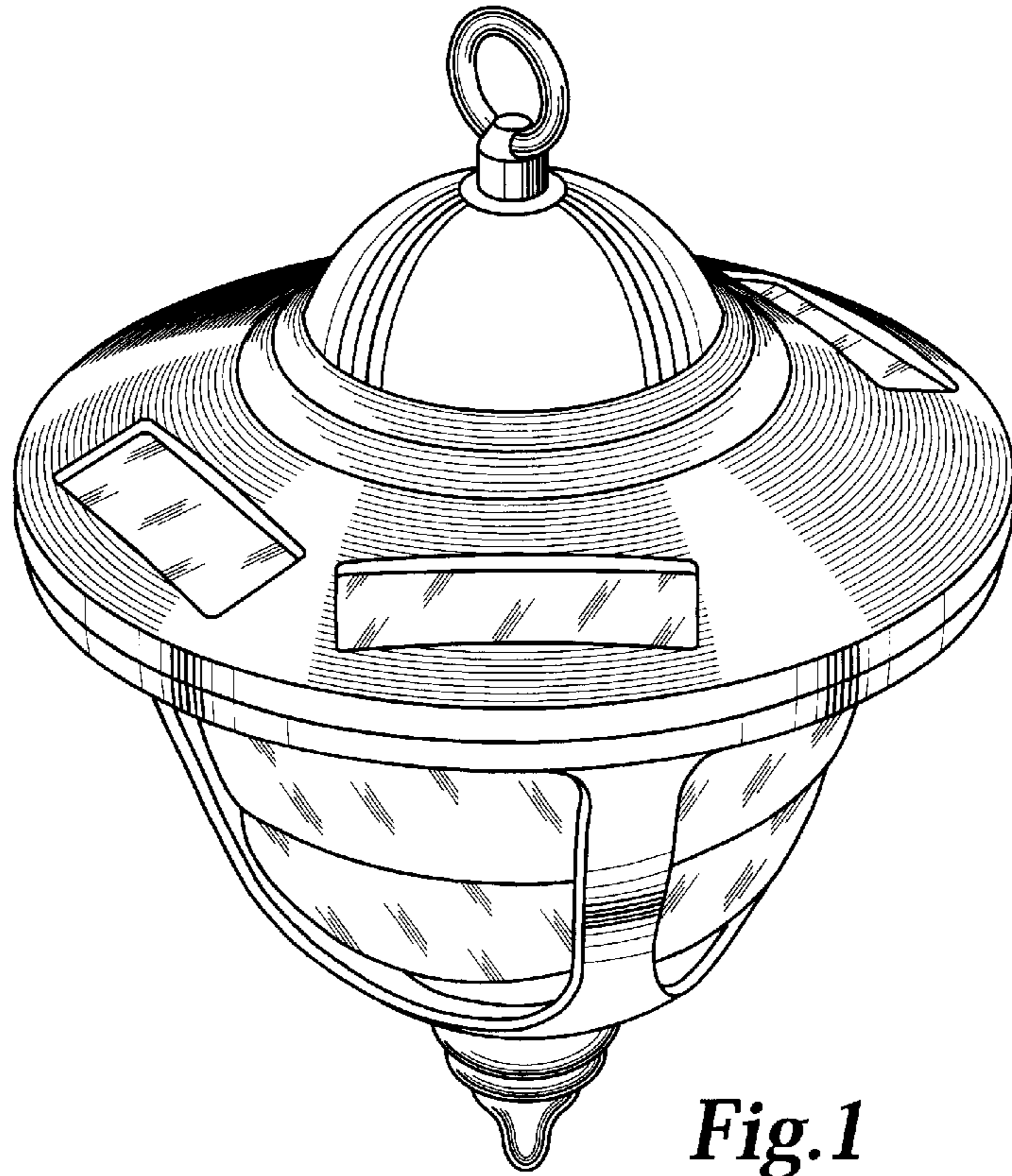
FIG. 3 is a bottom view thereof;

FIG. 4 is a right side view thereof; and,

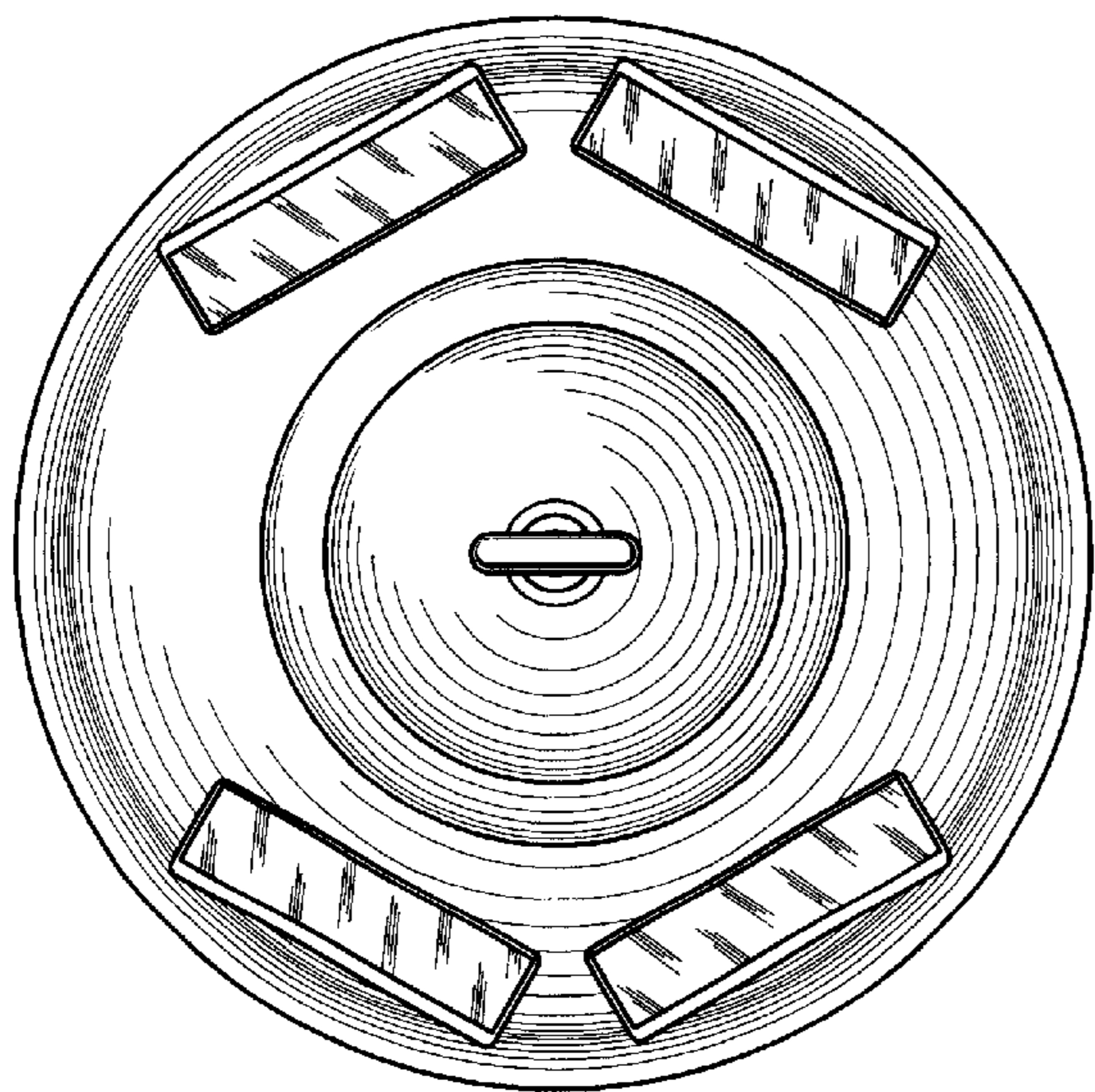
FIG. 5 is a diagonal side view thereof.

**1 Claim, 2 Drawing Sheets**

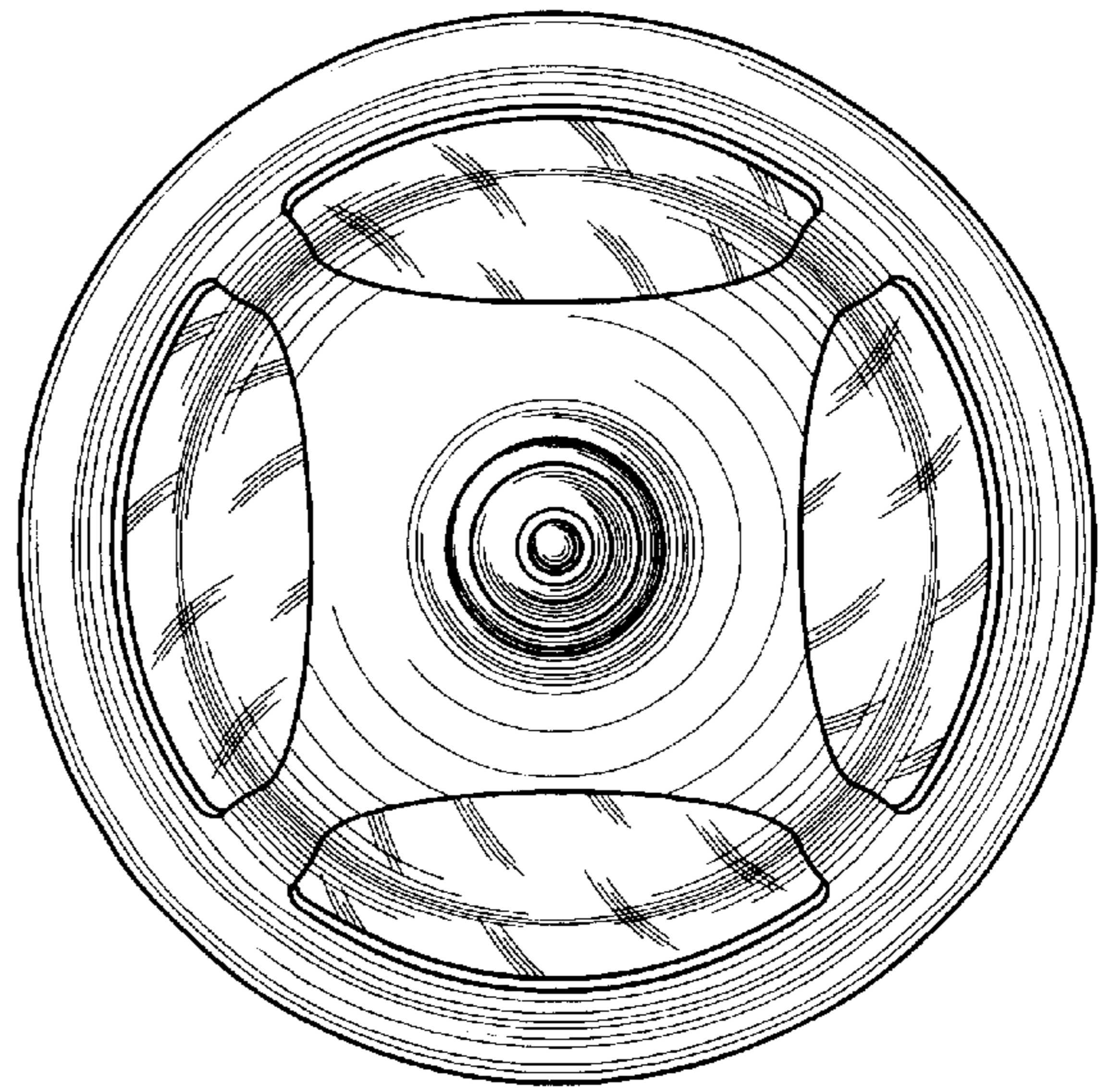




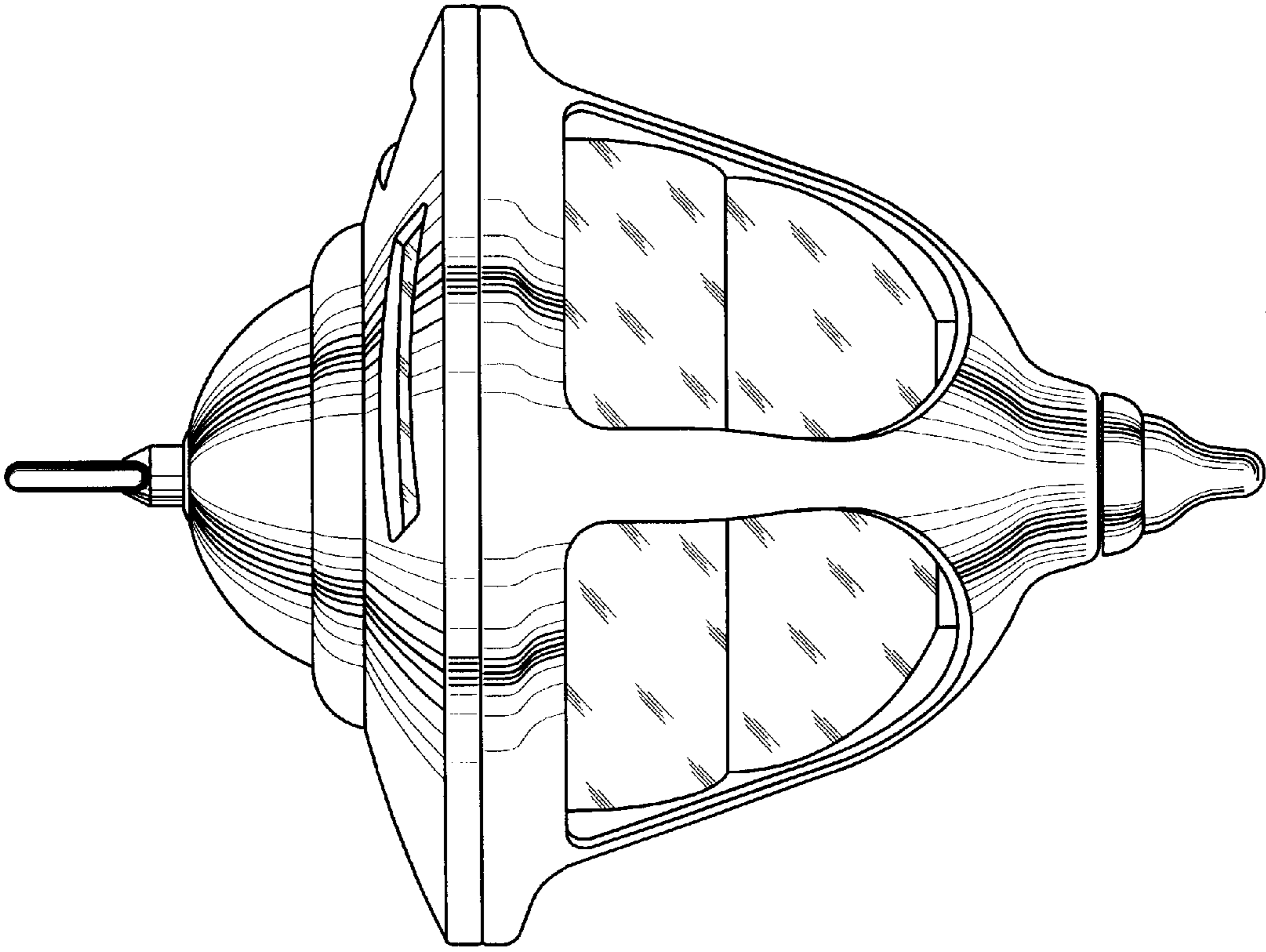
*Fig.1*



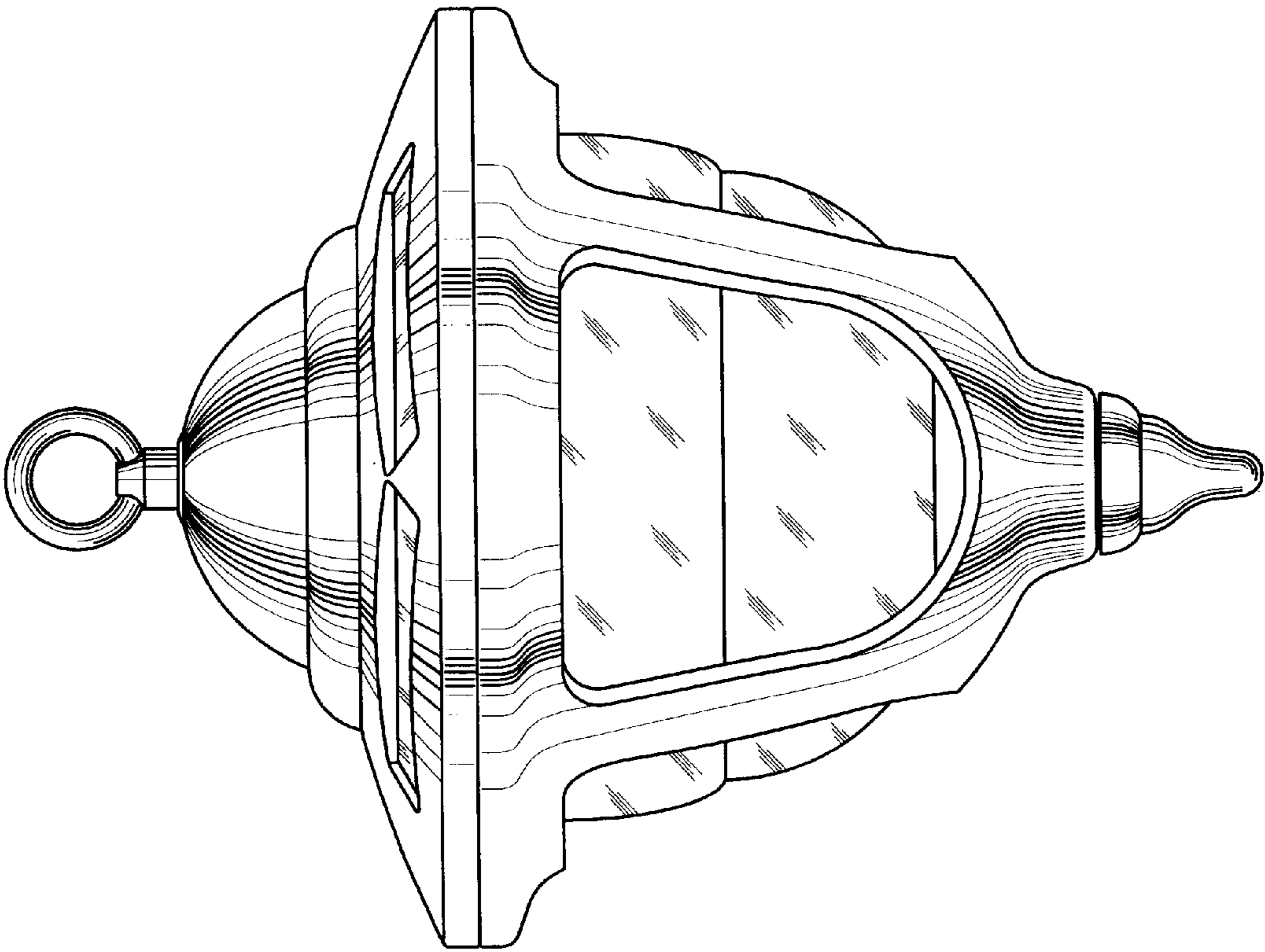
*Fig.2*



*Fig.3*



*Fig. 5*



*Fig. 4*