



US00D484628S

(12) **United States Design Patent**  
**Bayat et al.**

(10) **Patent No.:** **US D484,628 S**

(45) **Date of Patent:** **\*\* Dec. 30, 2003**

(54) **WORKLIGHT**

(76) Inventors: **Bijan Bayat**, 10425 N. Plano Rd.,  
Dallas, TX (US) 75238-1355; **Michael**  
**Quan Dinh**, 3200 Breton Dr., Plano,  
TX (US) 75025

(\*\*) Term: **14 Years**

(21) Appl. No.: **29/171,718**

(22) Filed: **Nov. 27, 2002**

(51) **LOC (7) Cl.** ..... **26-02**

(52) **U.S. Cl.** ..... **D26/50**

(58) **Field of Search** ..... D26/37-50; 362/157,  
362/158, 171, 172, 173, 183-208, 369,  
375, 390

(56) **References Cited**

**U.S. PATENT DOCUMENTS**

4,019,047 A \* 4/1977 Frey ..... D26/50  
D458,400 S \* 6/2002 Kovacik et al. .... D26/50

\* cited by examiner

*Primary Examiner*—Marcus A. Jackson

(74) *Attorney, Agent, or Firm*—Richard L. Schwartz

(57) **CLAIM**

The ornamental design for a worklight, as shown and described.

**DESCRIPTION**

FIG. 1 is a perspective view of a worklight with the workbench clamp removed and the hanger assembly extended;

FIG. 2 is a front elevational view of the worklight of FIG. 1;

FIG. 3 is an elevational view of a first side of the worklight of FIG. 1;

FIG. 4 is a rear elevational view of the worklight of FIG. 1;

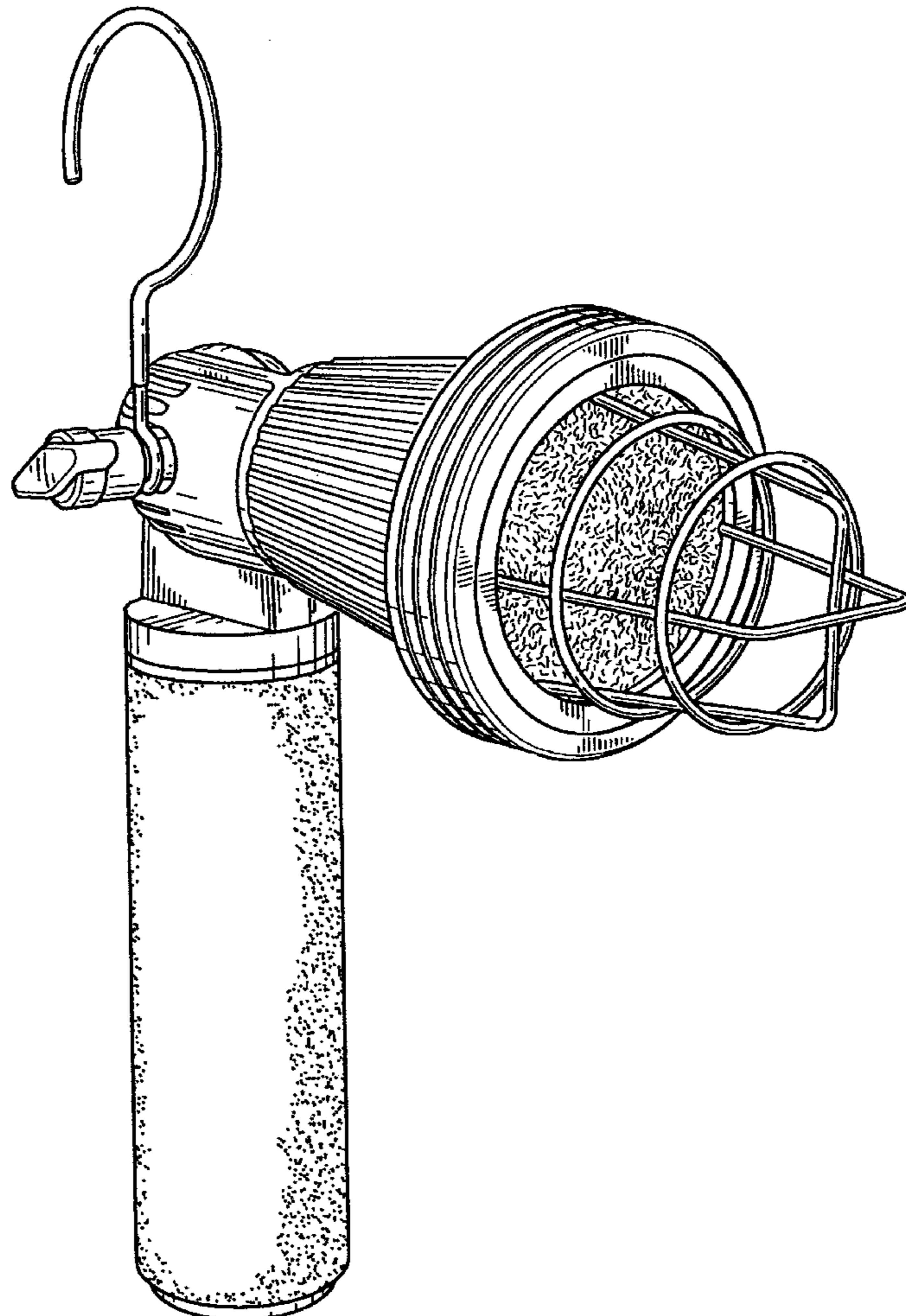
FIG. 5 is an elevational view of a second side of the worklight of FIG. 1;

FIG. 6 is a top plan view of the worklight of FIG. 1;

FIG. 7 is a bottom plan view of the worklight of FIG. 1; and,

FIG. 8 is an elevational view of the first side of the worklight of FIG. 1 with the workbench clamp attached and the hanger assembly retracted.

**1 Claim, 5 Drawing Sheets**



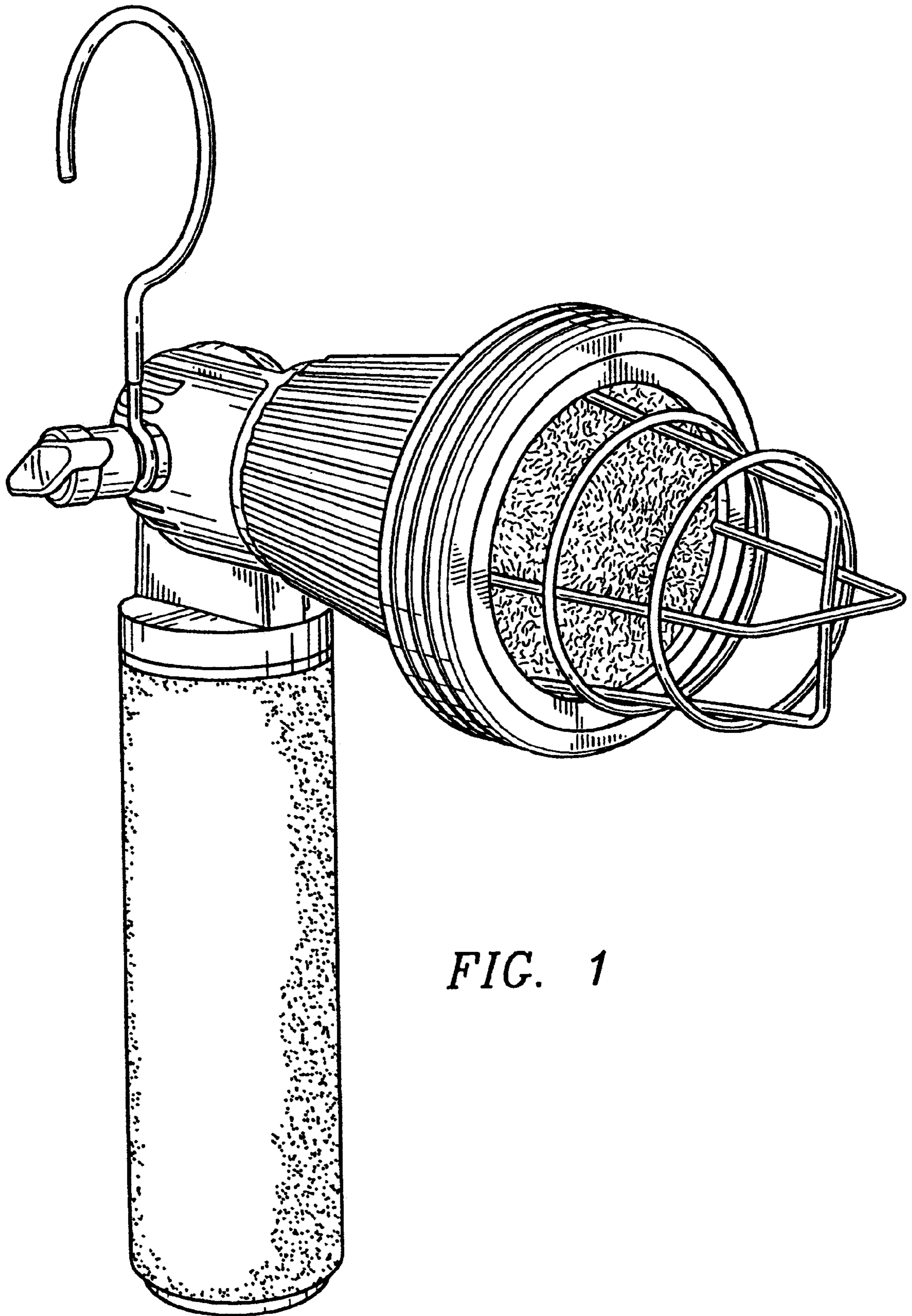


FIG. 1

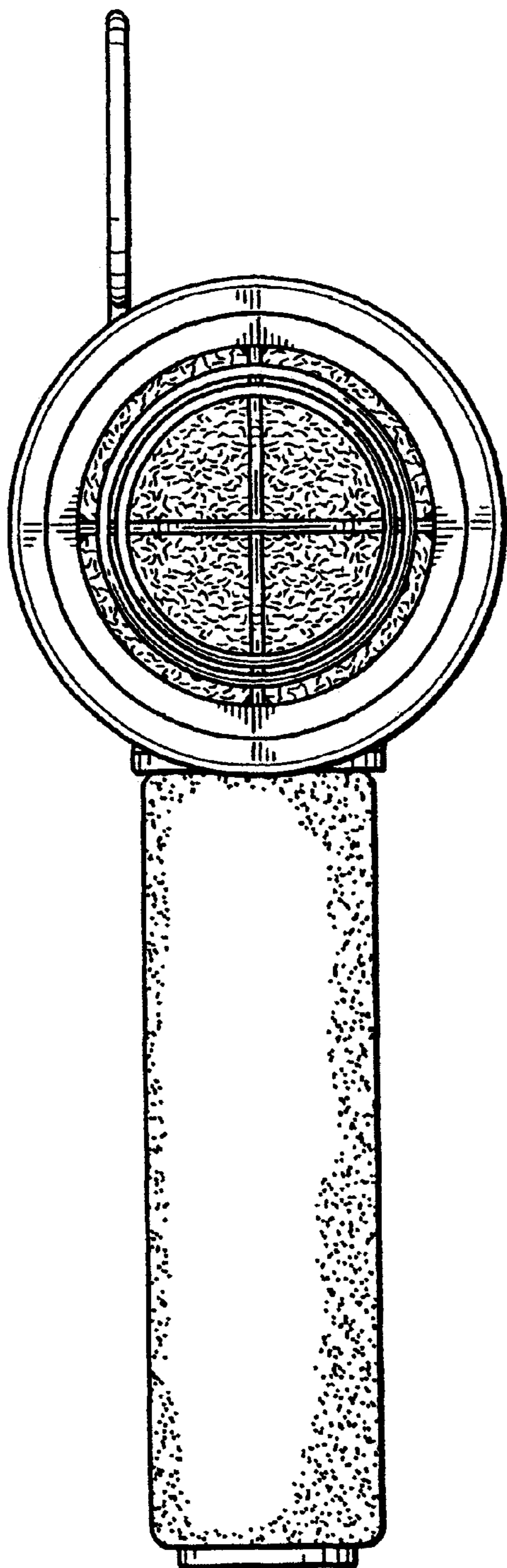


FIG. 2

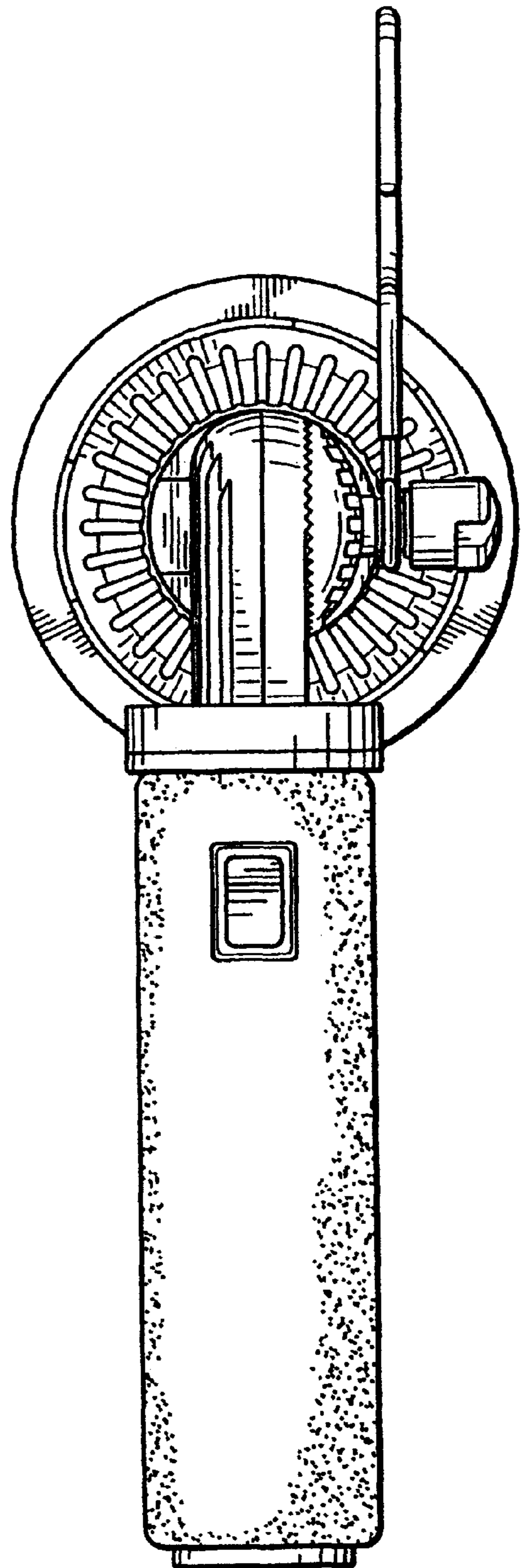
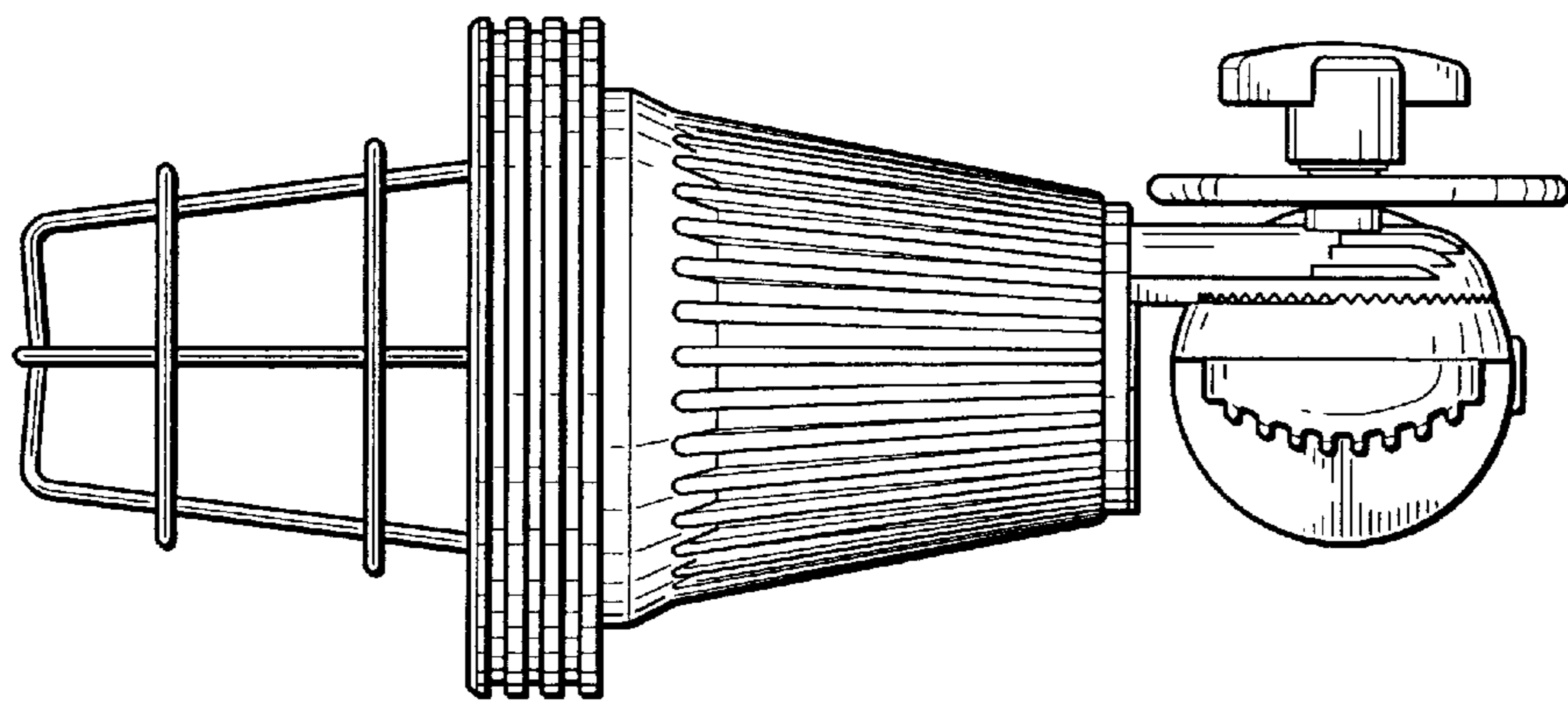
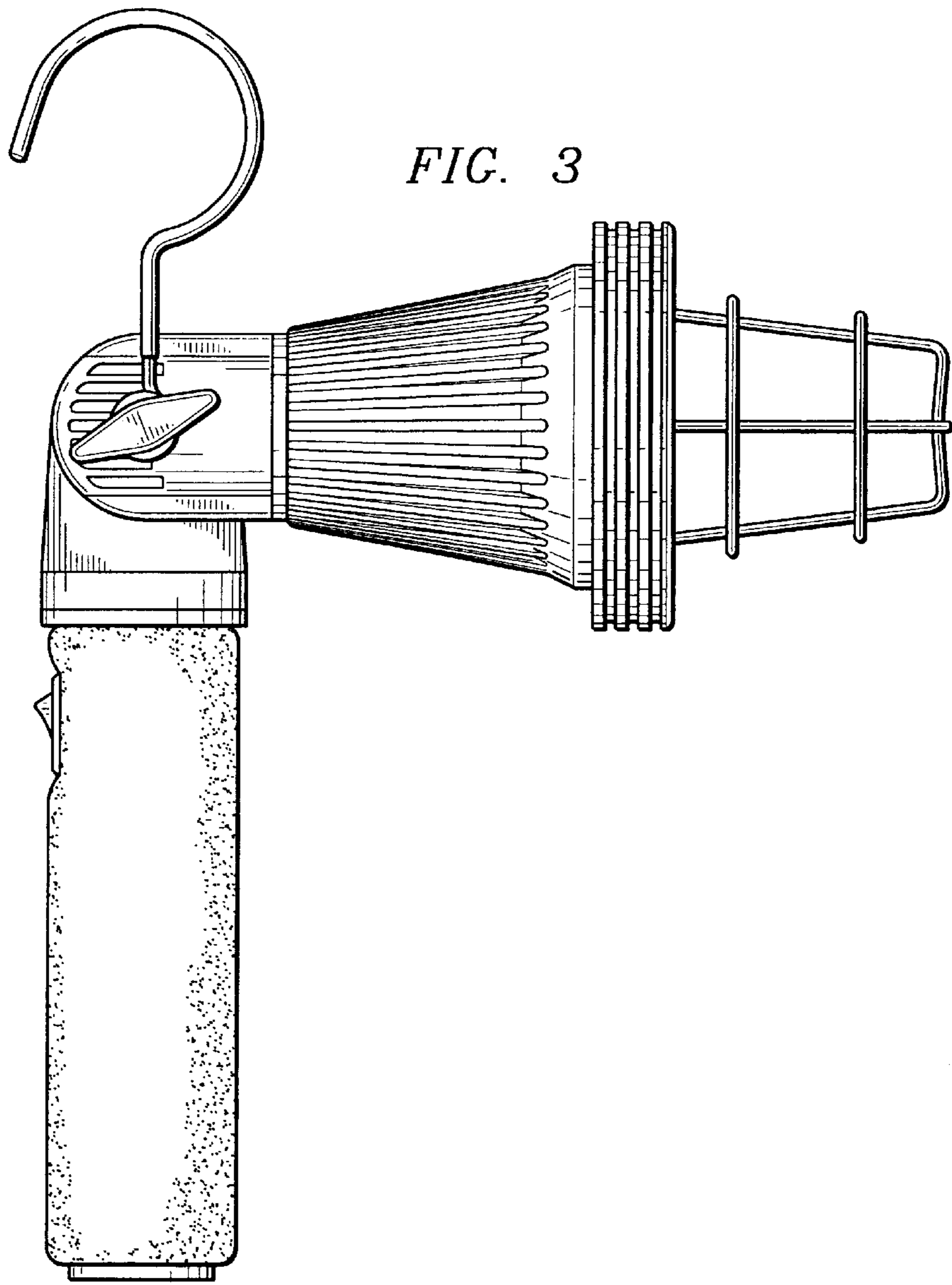


FIG. 4



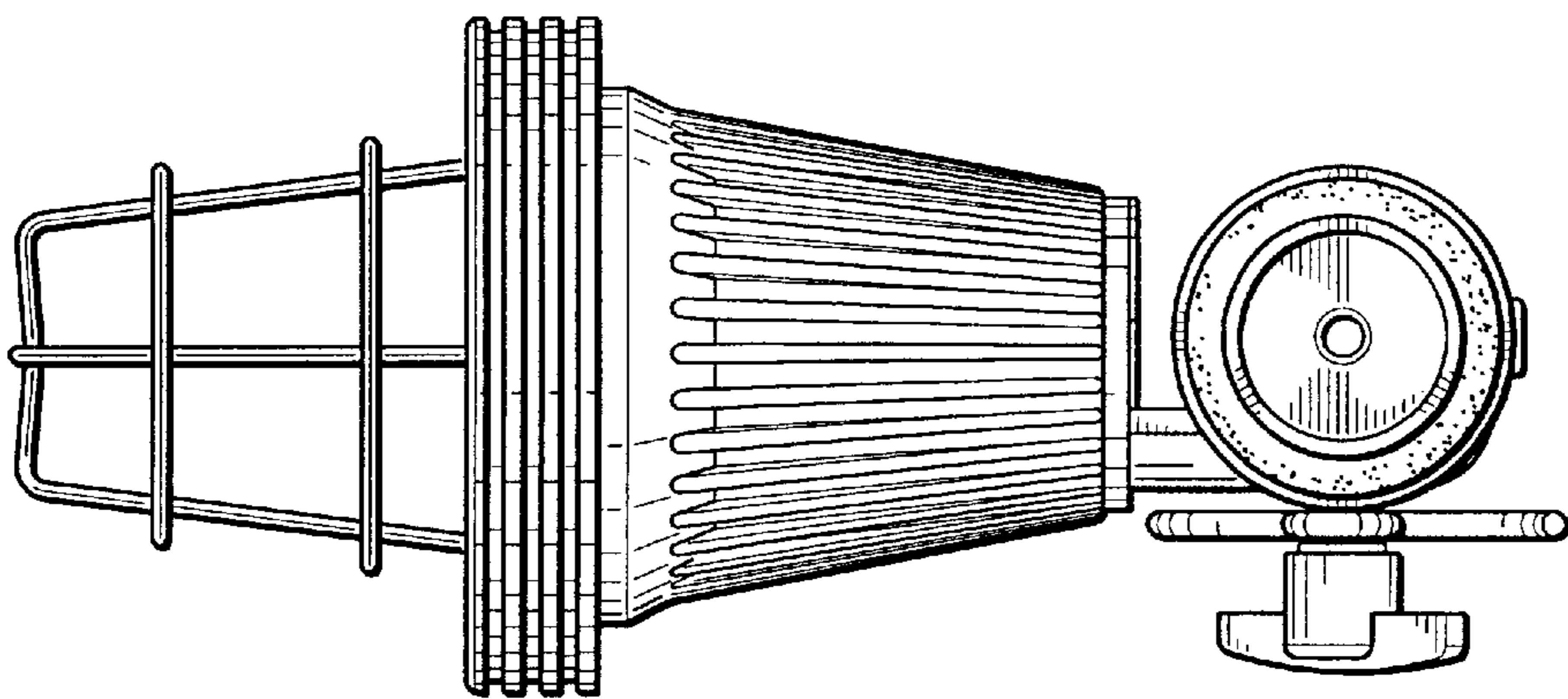
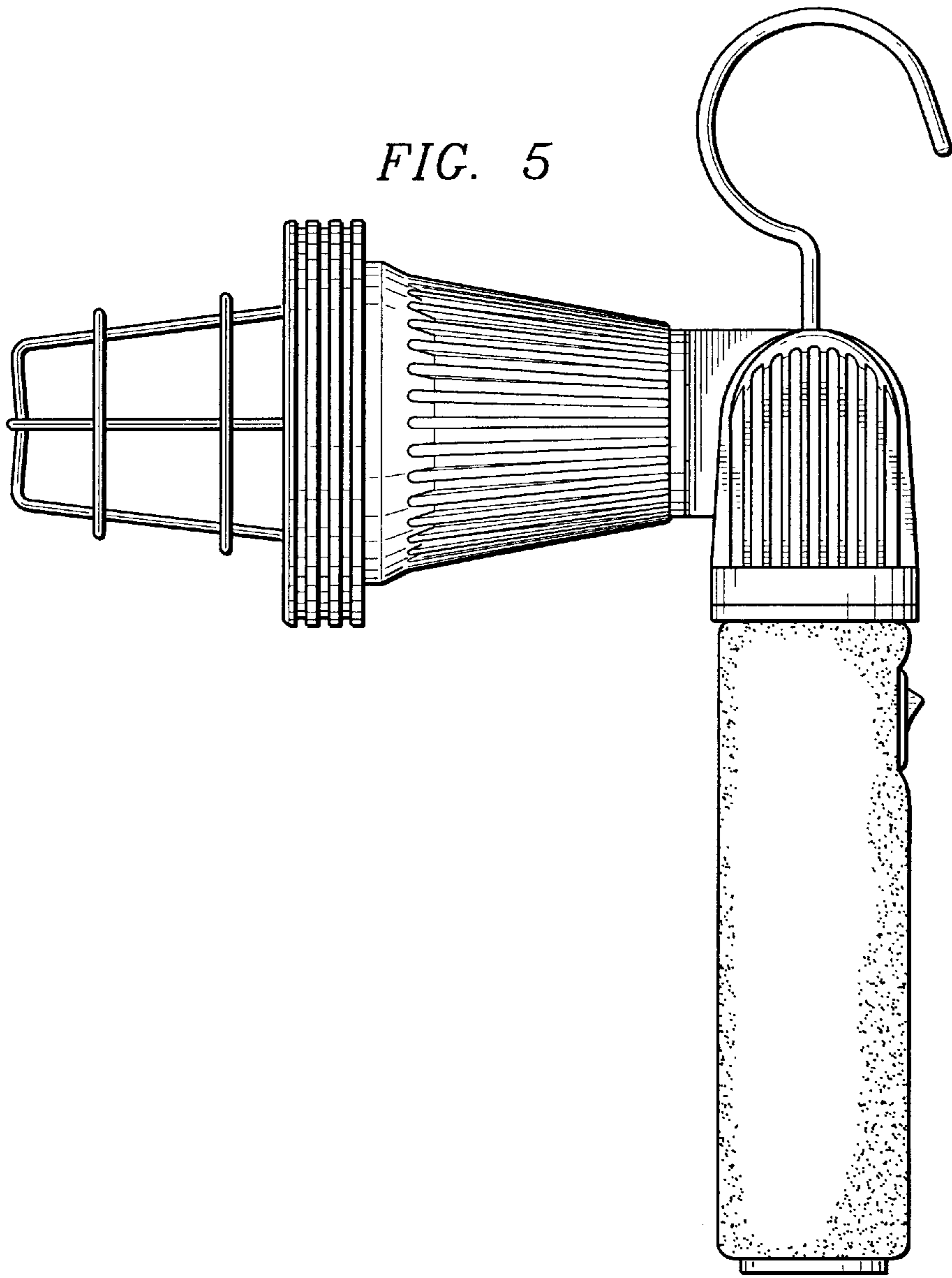


FIG. 7

FIG. 8

