



US00D484626S

(12) **United States Design Patent**  
**Hanselman et al.**

(10) **Patent No.:** **US D484,626 S**

(45) **Date of Patent:** **\*\* Dec. 30, 2003**

(54) **TV/RADIO/FLASHLIGHT COMPANION  
DEVICE WITH OTHER ACCESSORIES**

(75) **Inventors:** **Kirk Hanselman**, St. Louis, MO (US);  
**Scott Lay**, Eureka, MO (US); **Bernie  
Lam**, Kowloon (HK)

(73) **Assignees:** **May Department Stores  
International**, St. Louis, MO (US);  
**Songwave Electronics Co.**, Kowloon  
(HK)

(\*\*) **Term:** **14 Years**

(21) **Appl. No.:** **29/180,110**

(22) **Filed:** **Apr. 18, 2003**

(51) **LOC (7) Cl.** ..... **26-02**

(52) **U.S. Cl.** ..... **D26/38**

(58) **Field of Search** ..... D26/37-50; D14/125-134;  
362/157, 158, 171, 183-208; 348/825, 836,  
838

(56) **References Cited**

**U.S. PATENT DOCUMENTS**

D371,356 S \* 7/1996 Maruyama ..... D26/38  
D471,525 S \* 3/2003 Tse ..... D26/38

**OTHER PUBLICATIONS**

Famous-Barr TV Companion Advertisement; Famous-Barr  
Sale Merchandise Catalog; Apr., 2003; p. 2; St. Louis,  
Missouri, US.

\* cited by examiner

*Primary Examiner*—Marcus A. Jackson

(74) *Attorney, Agent, or Firm*—Blackwell Sanders Peper  
Martin, LLP

(57) **CLAIM**

The ornamental design for a tv/radio/flashlight companion  
device with other accessories, as shown and described.

**DESCRIPTION**

FIG. 1 is a front elevational view of a tv/radio/flashlight  
companion device with other accessories showing my new  
design.

FIG. 2 is a rear elevational view thereof.

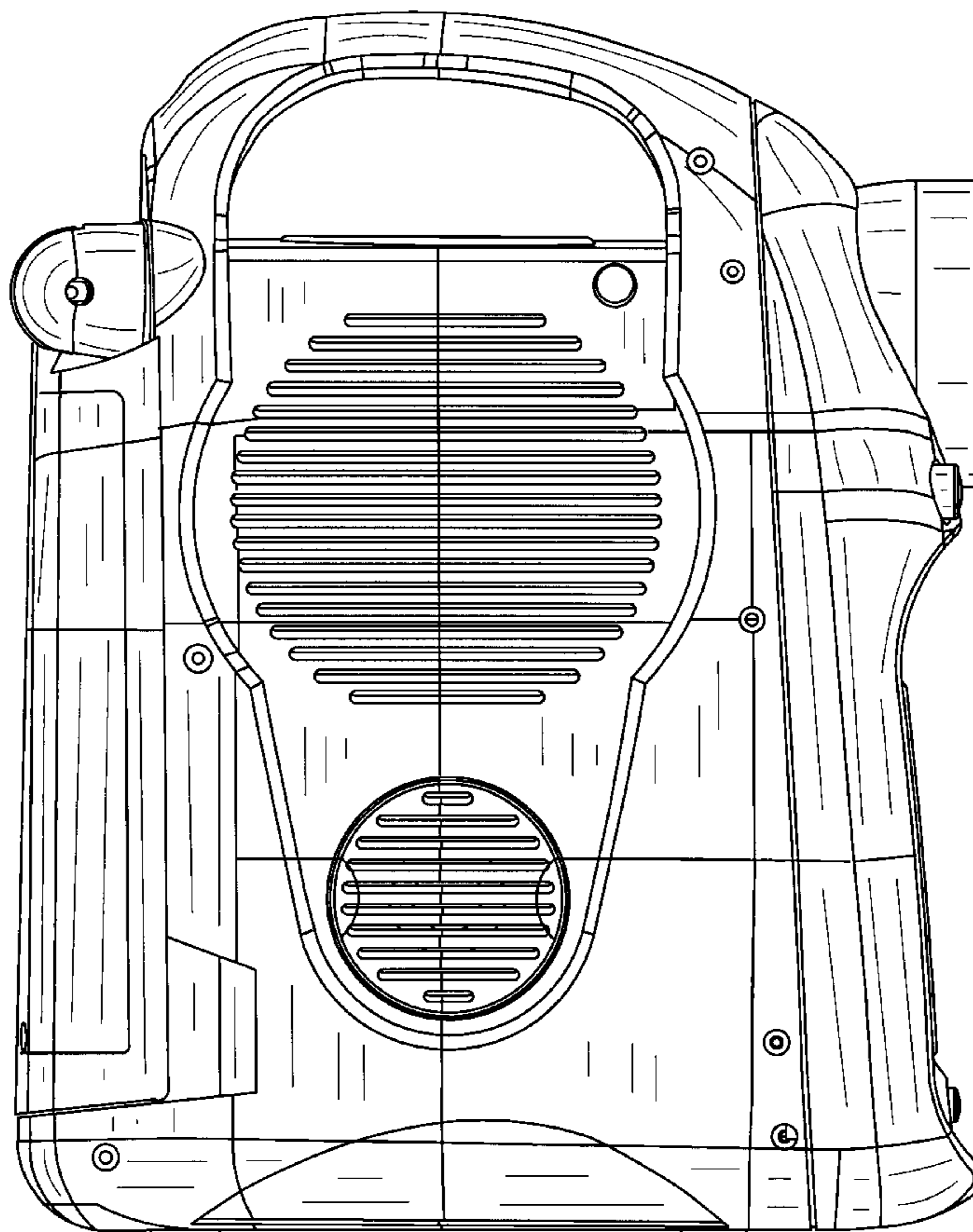
FIG. 3 is a left side elevational view thereof.

FIG. 4 is a right side elevational view thereof.

FIG. 5 is a top plan view thereof; and,

FIG. 6 is a bottom plan view thereof.

**1 Claim, 6 Drawing Sheets**



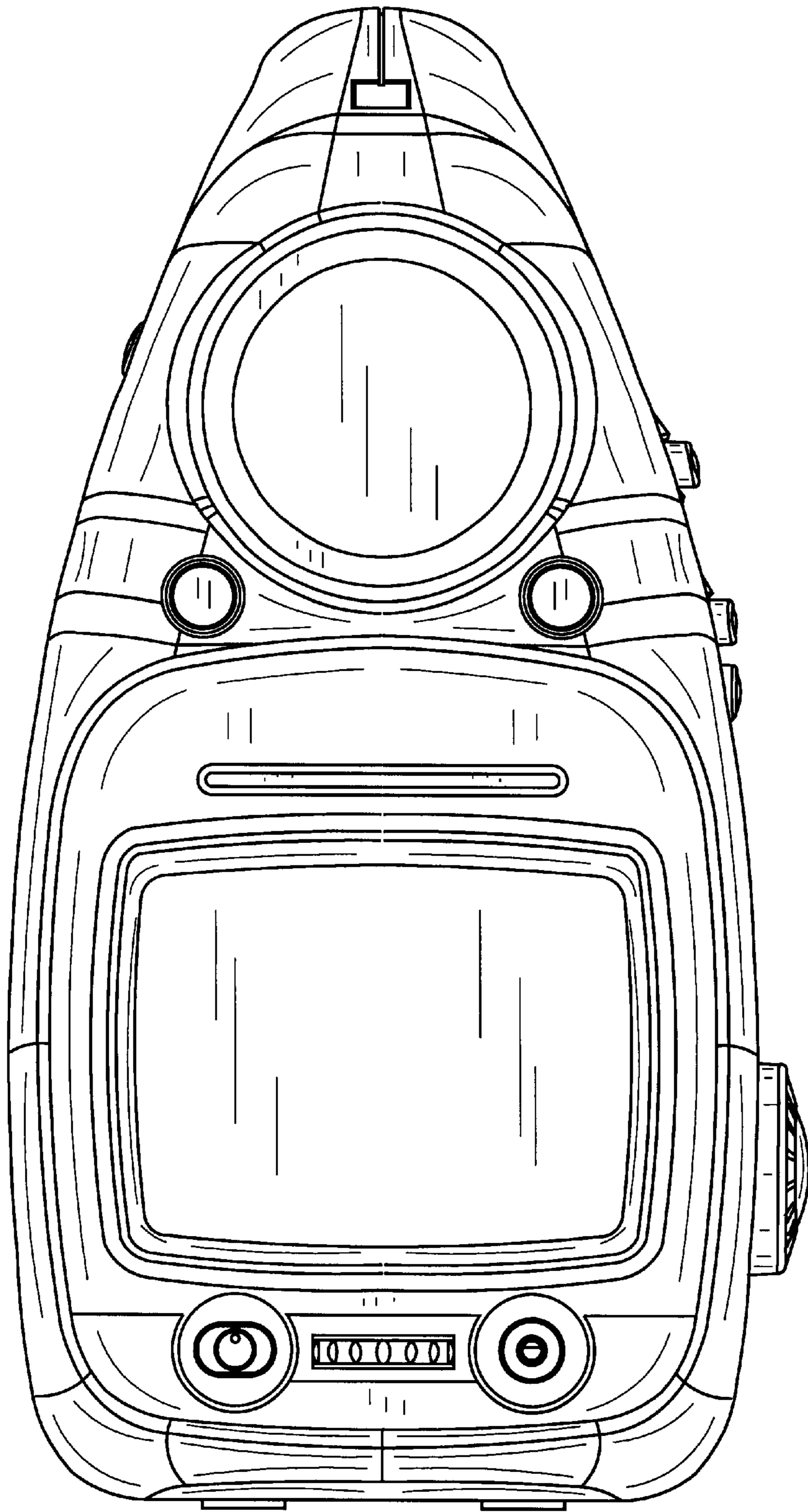


FIG. 1

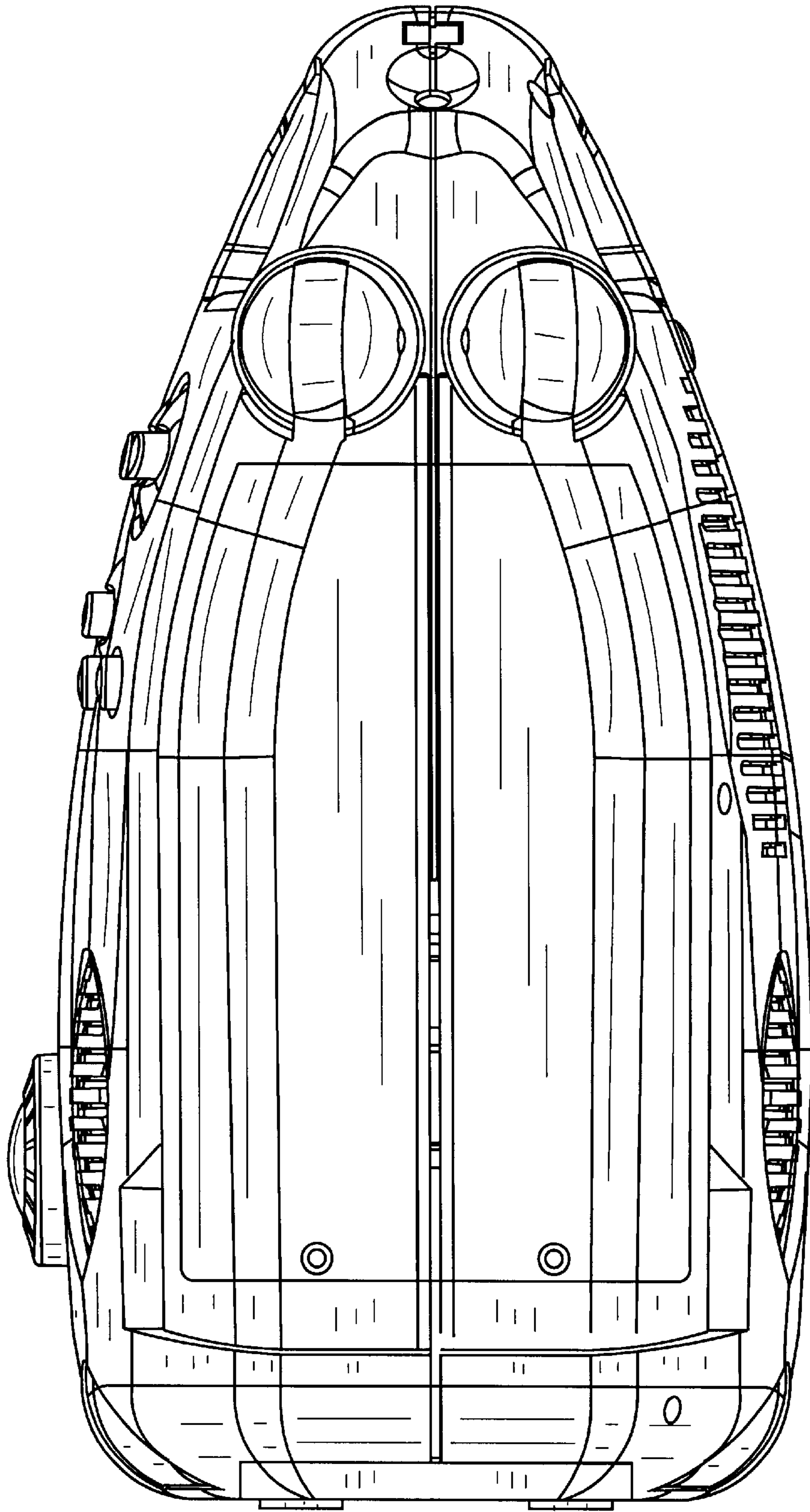


FIG. 2

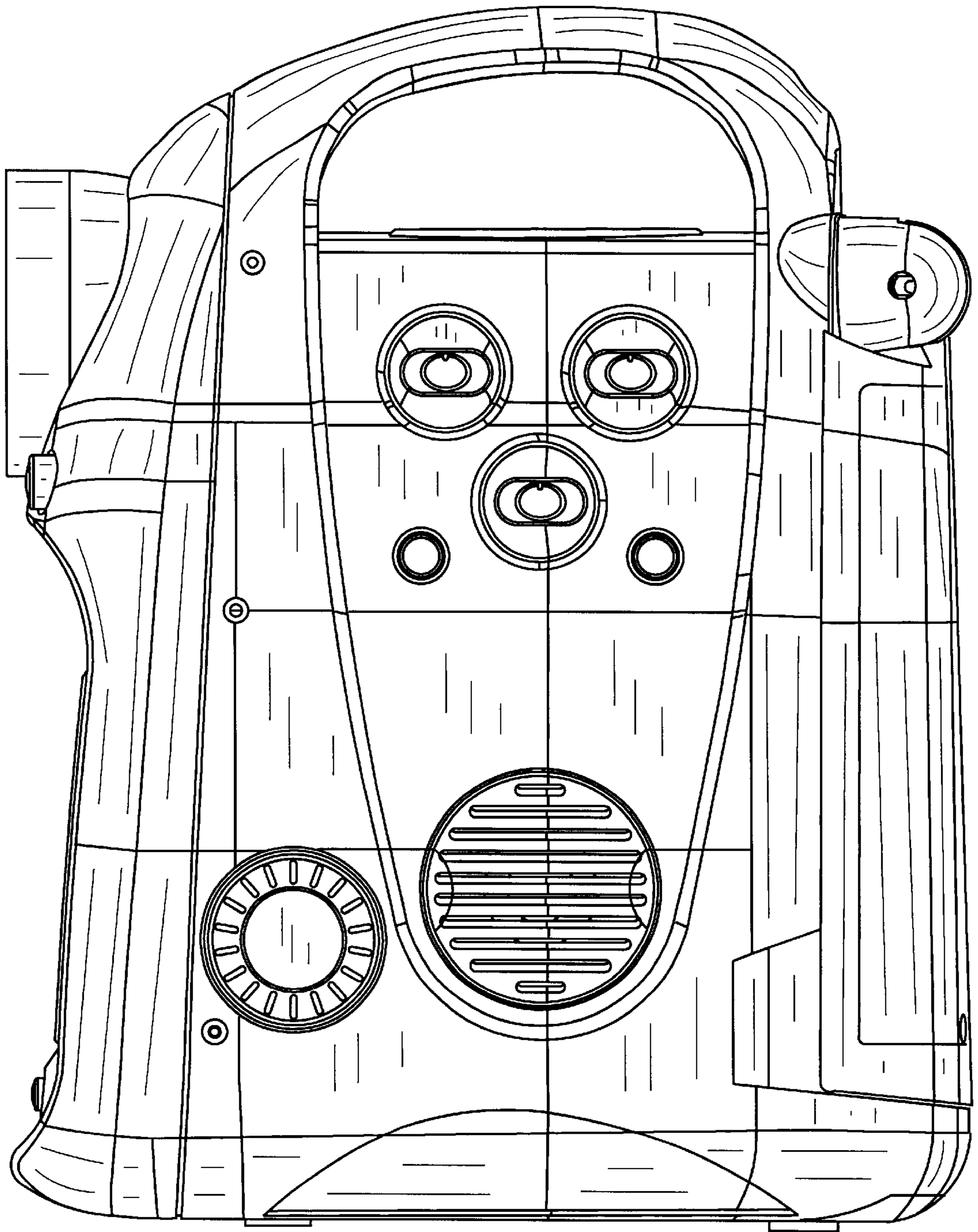


FIG. 3



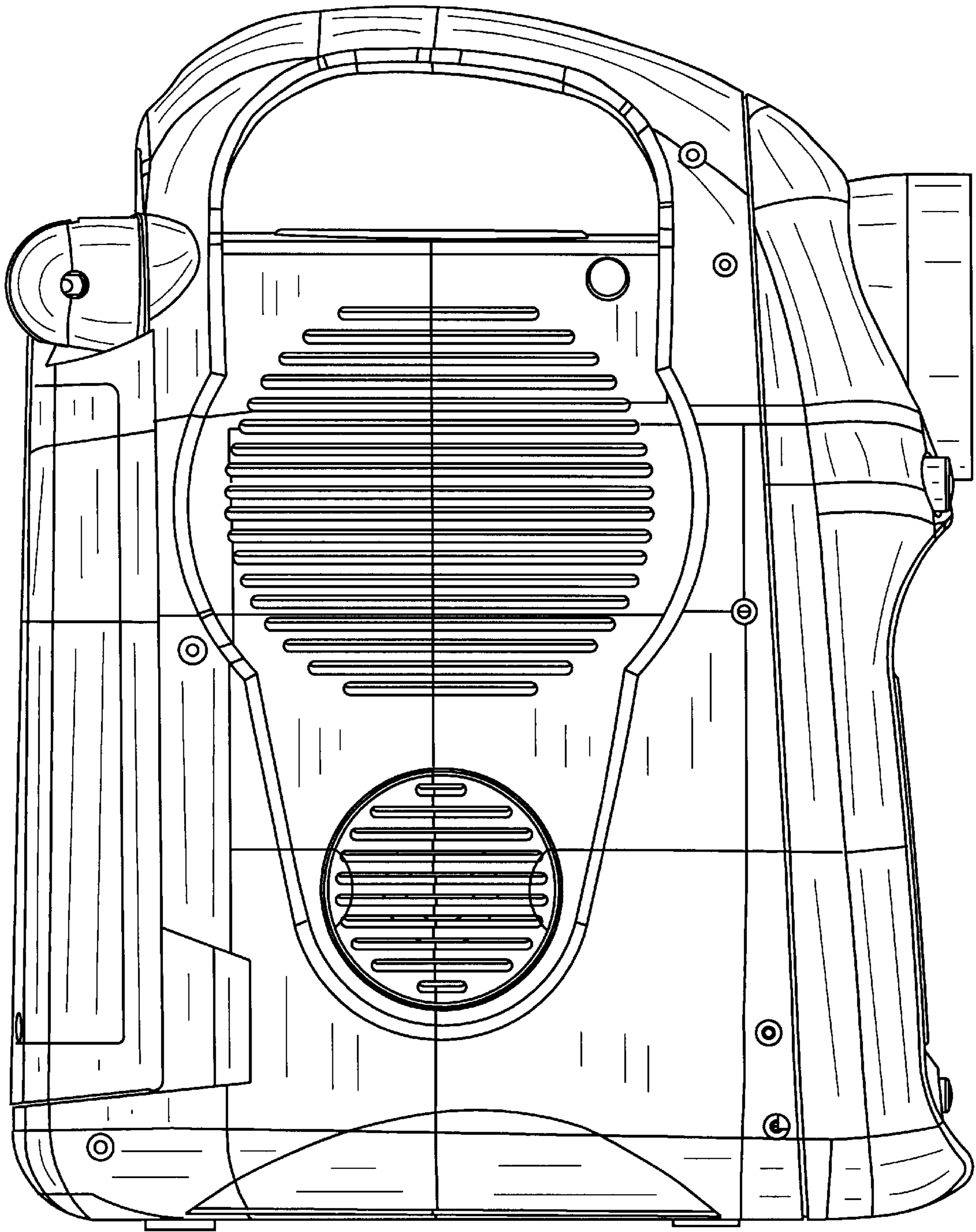


FIG. 4

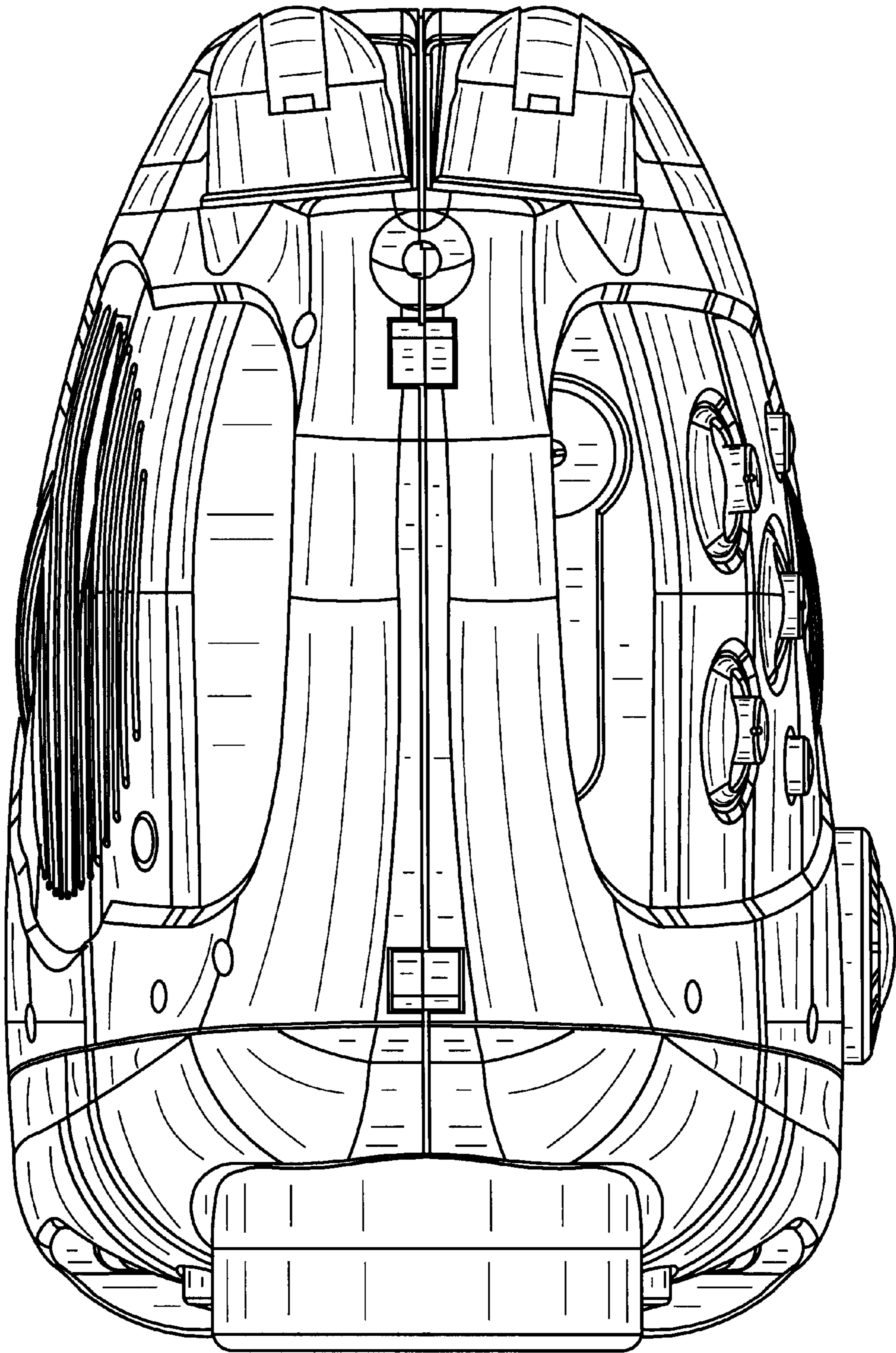


FIG. 5

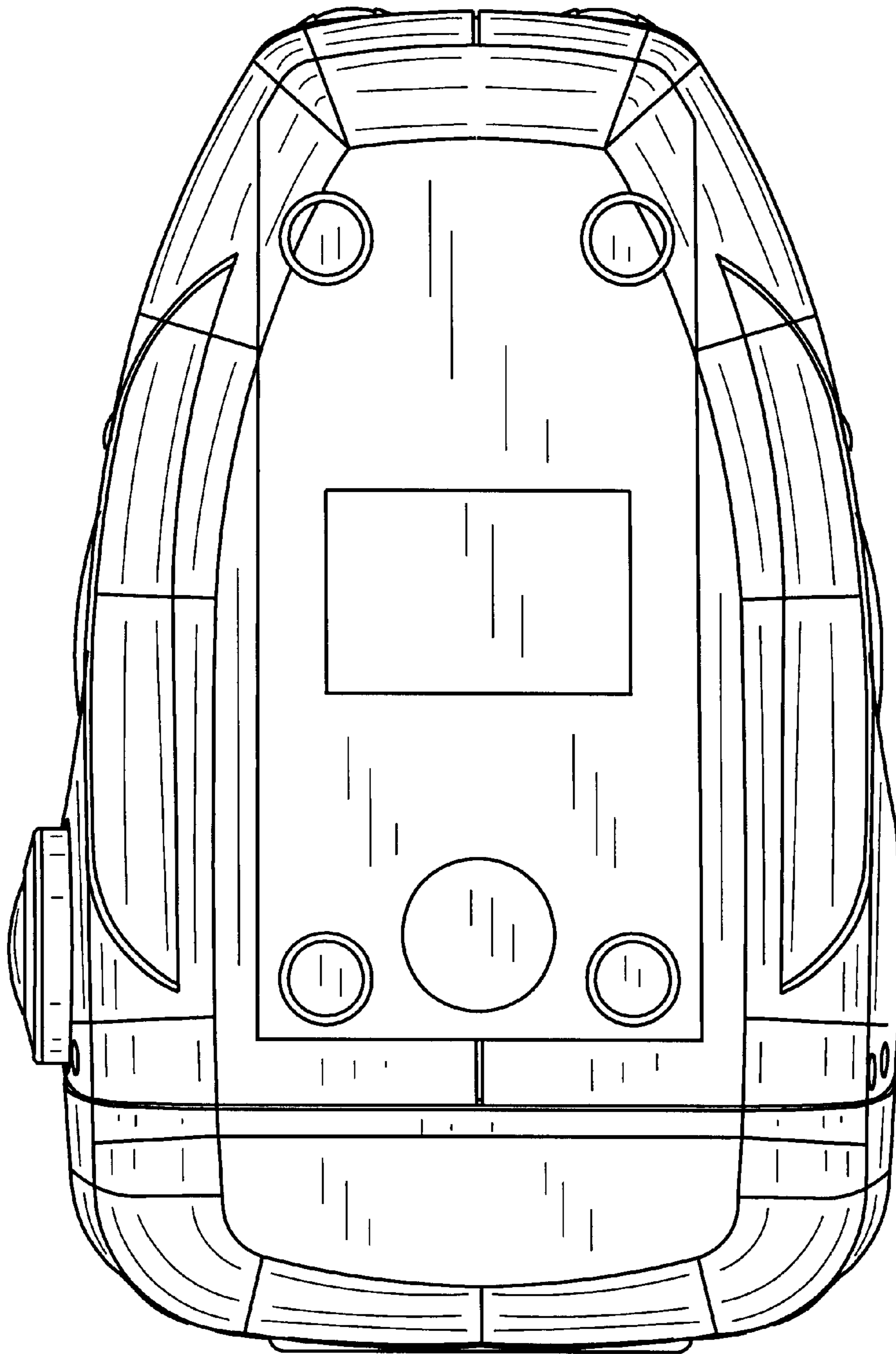


FIG. 6