



US00D484625S

(12) **United States Design Patent**
Chang

(10) **Patent No.:** **US D484,625 S**

(45) **Date of Patent:** **** Dec. 30, 2003**

(54) **LED LIGHT**

D475,149 S * 5/2003 Chun D26/37

* cited by examiner

(76) **Inventor:** **Gin-Sung Chang**, No. 15, Lane 385,
Kuang-Ming Rd., Wu-Jih Hsiang,
Taichung Hsien (TW)

Primary Examiner—Marcus A. Jackson
(74) *Attorney, Agent, or Firm*—Brinks Hofer Gilson &
Lione

(**) **Term:** **14 Years**

(57) **CLAIM**

(21) **Appl. No.:** **29/177,793**

The ornamental design for LED light, as shown and described.

(22) **Filed:** **Mar. 14, 2003**

(51) **LOC (7) Cl.** **26-02**

(52) **U.S. Cl.** **D26/37**

(58) **Field of Search** D26/37-50; 362/157,
362/158, 171, 172, 173, 183-208

DESCRIPTION

FIG. 1 is a perspective view of LED light showing my new design;

FIG. 2 is a front elevational view thereof;

FIG. 3 is a rear elevational view thereof;

FIG. 4 is a left side elevational view thereof;

FIG. 5 is a right side elevational view thereof;

FIG. 6 is a top plan view thereof; and,

FIG. 7 is a bottom plan view thereof.

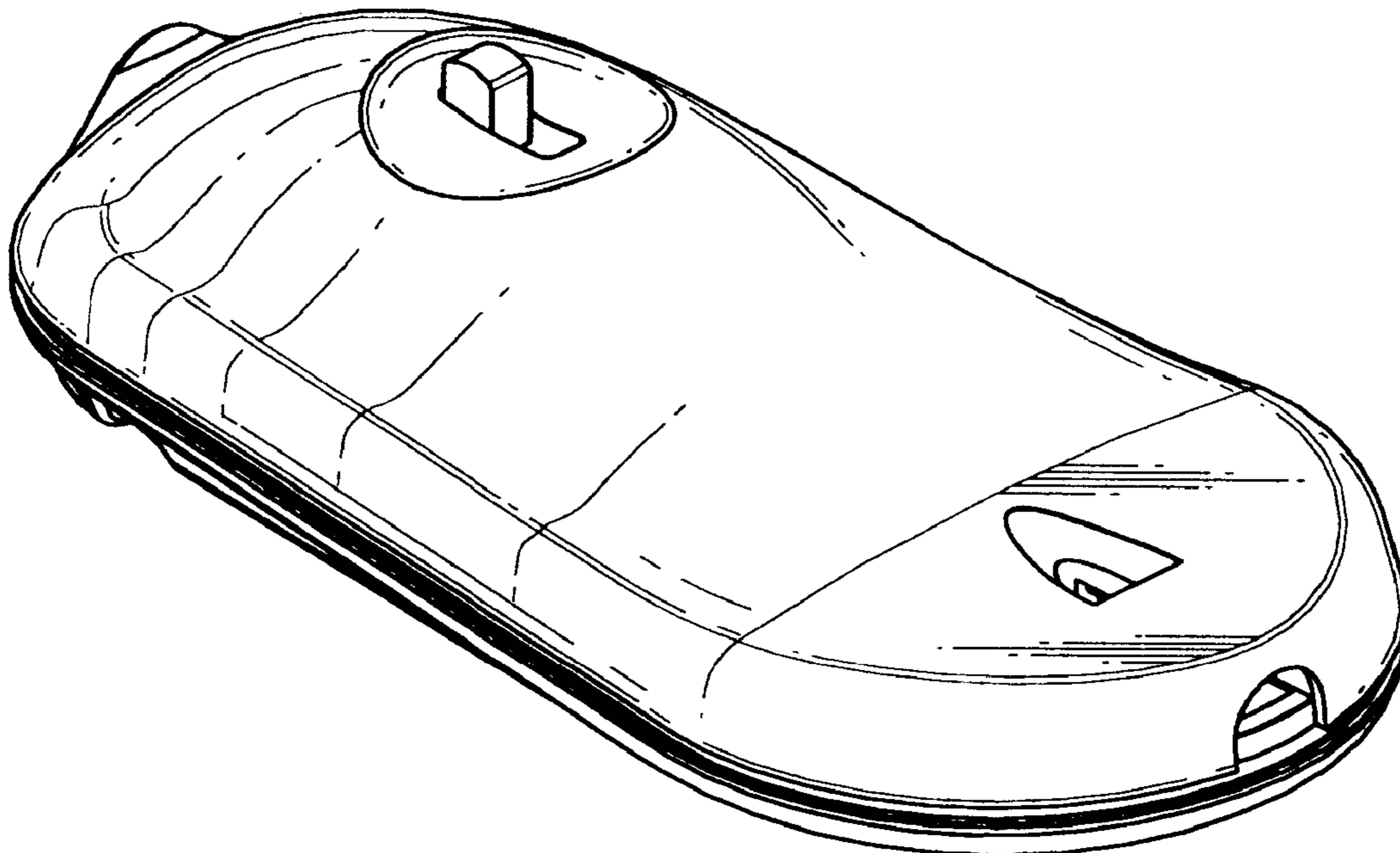
(56) **References Cited**

U.S. PATENT DOCUMENTS

D448,505 S * 9/2001 Dalton et al. D26/37

D466,387 S * 12/2002 Chang D26/38

1 Claim, 4 Drawing Sheets



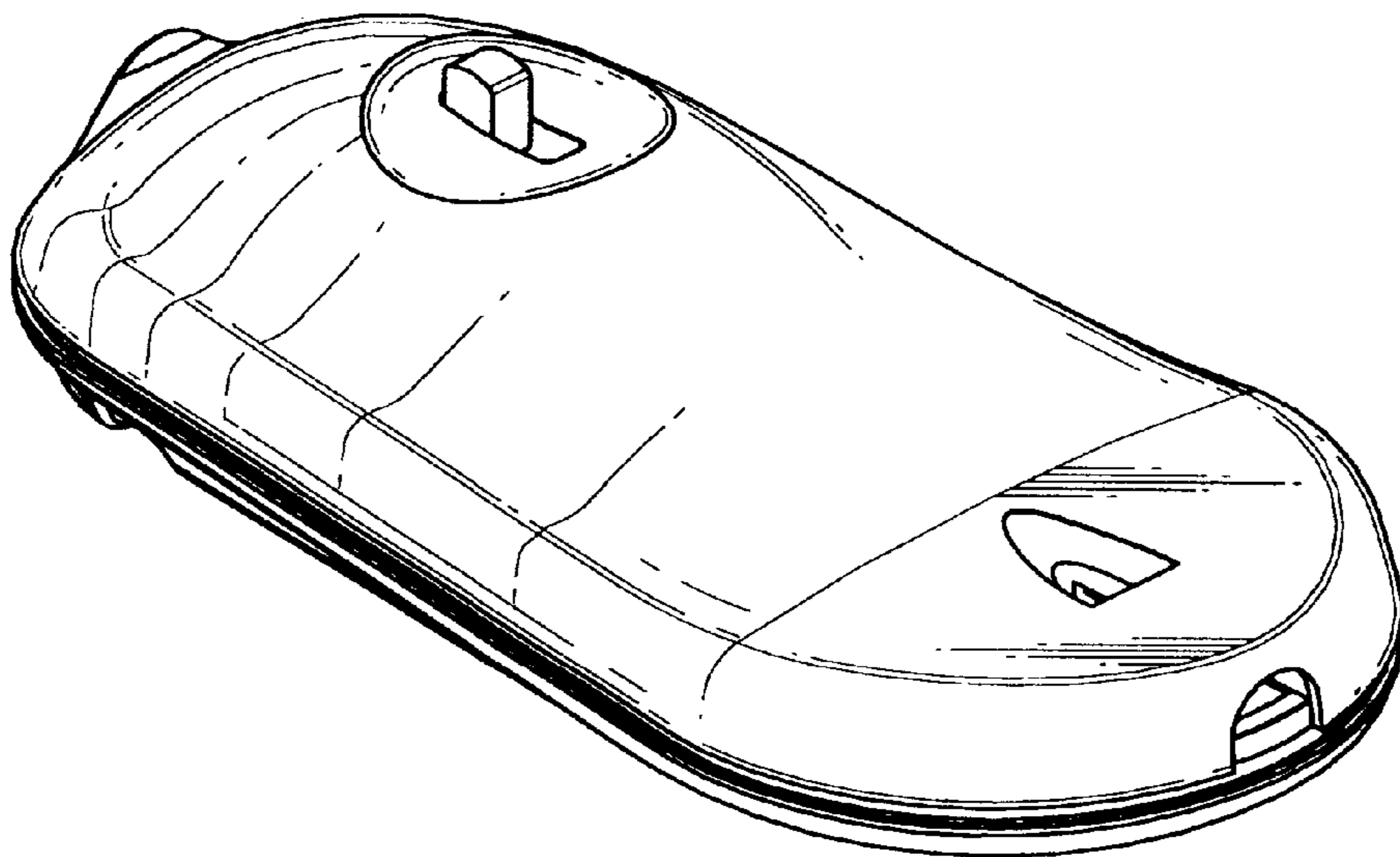


FIG. 1

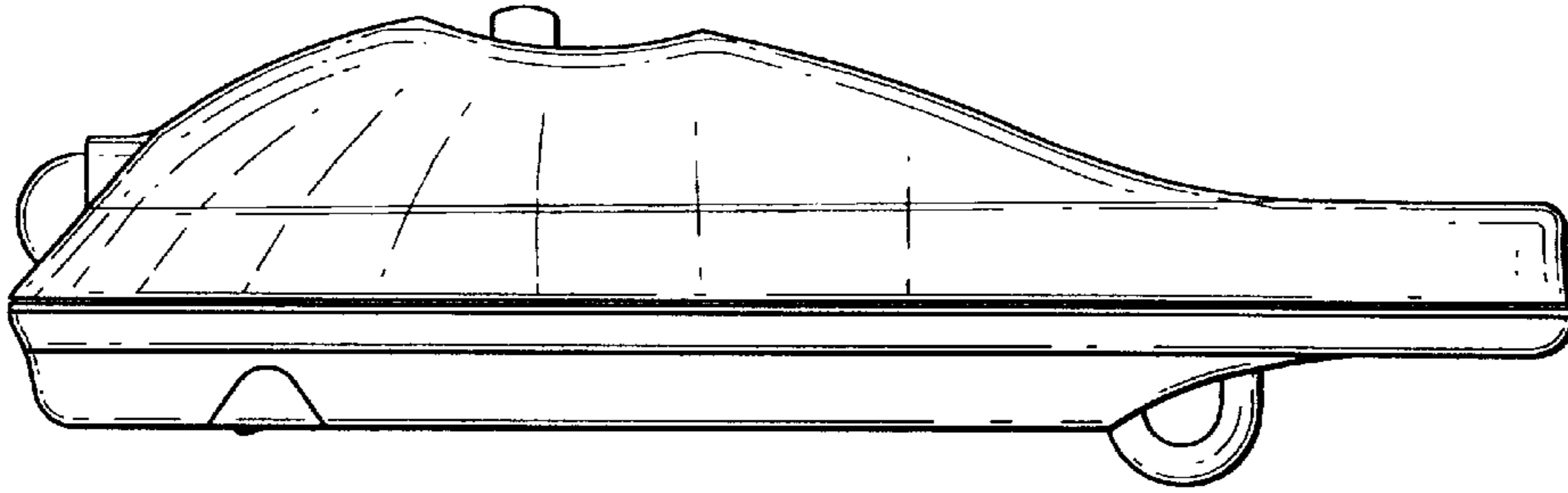


FIG. 2

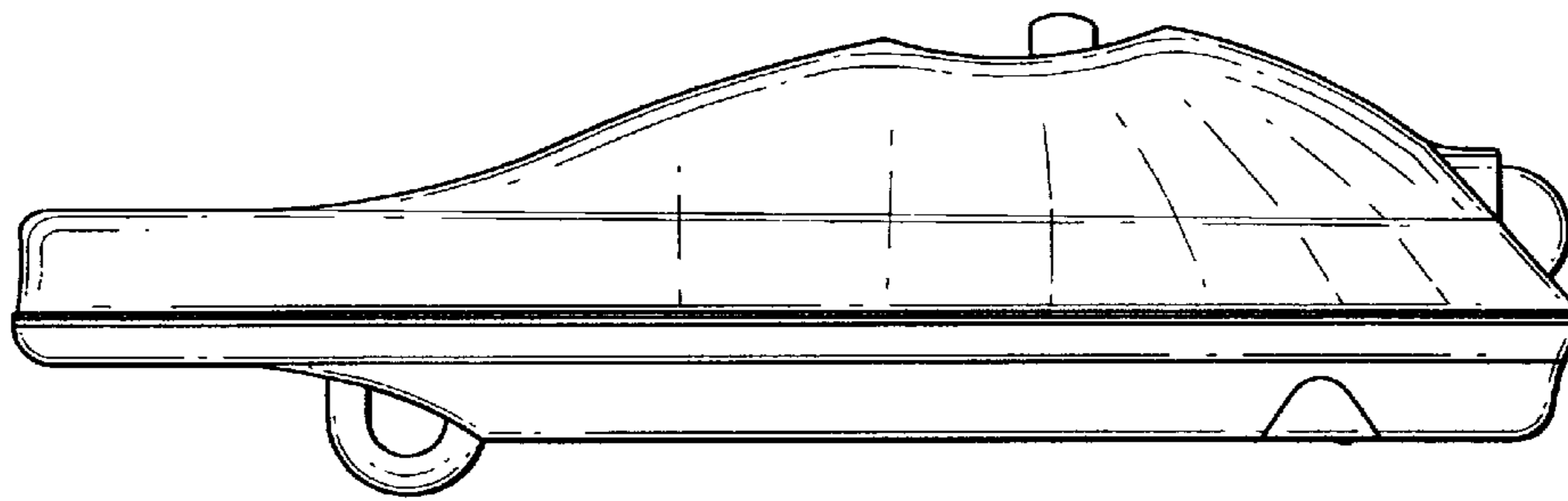


FIG. 3

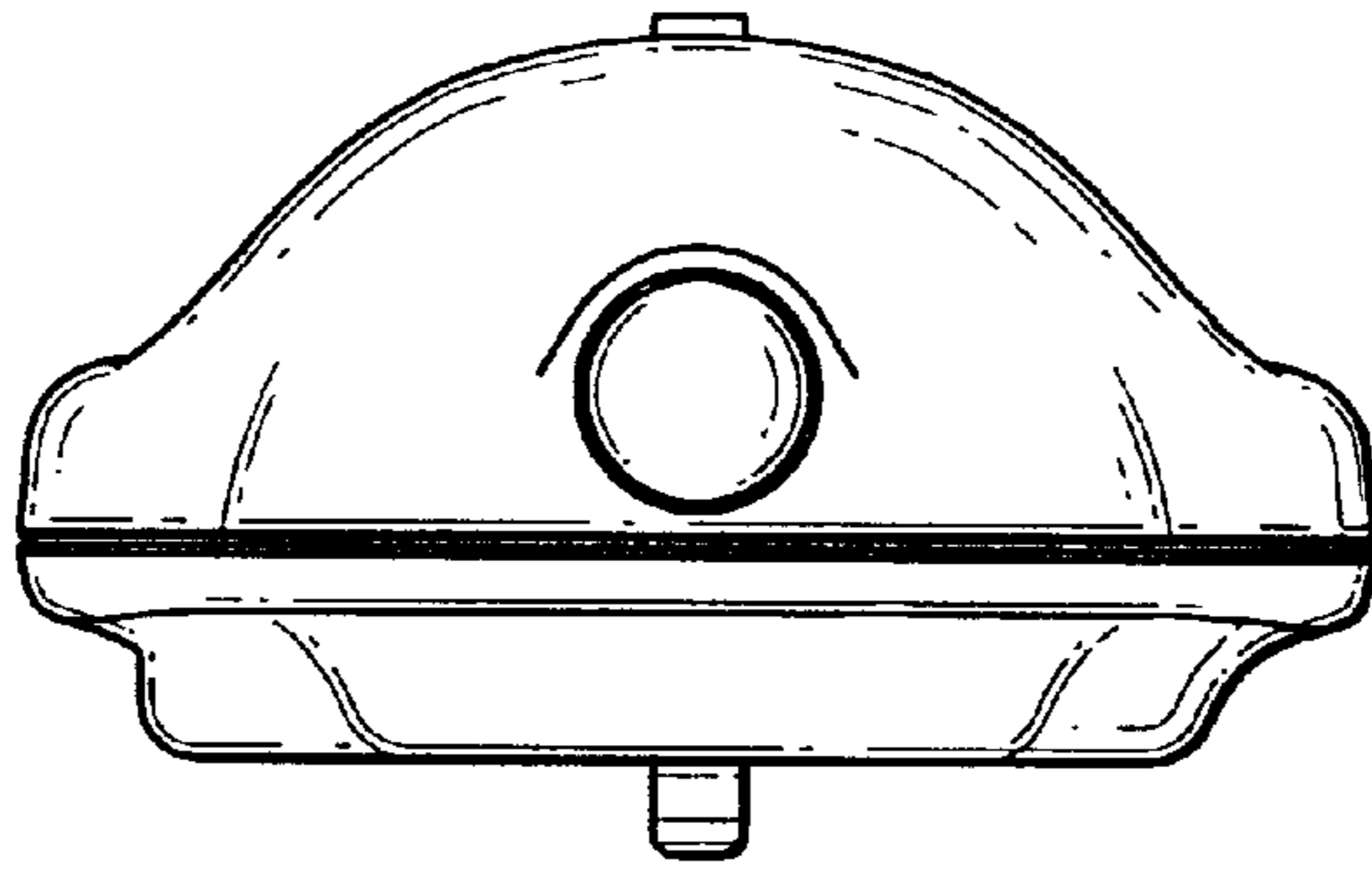


FIG. 4

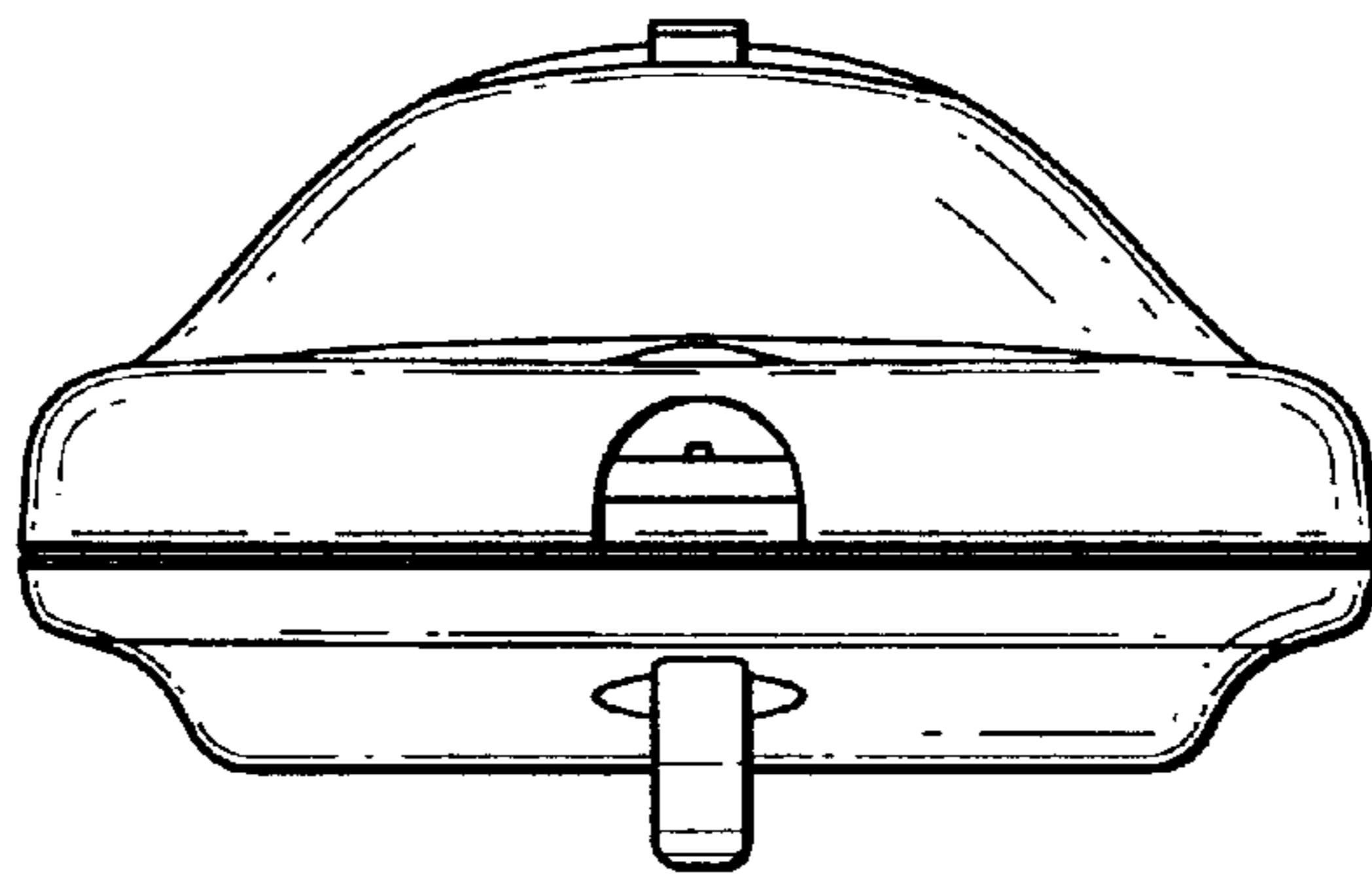


FIG. 5

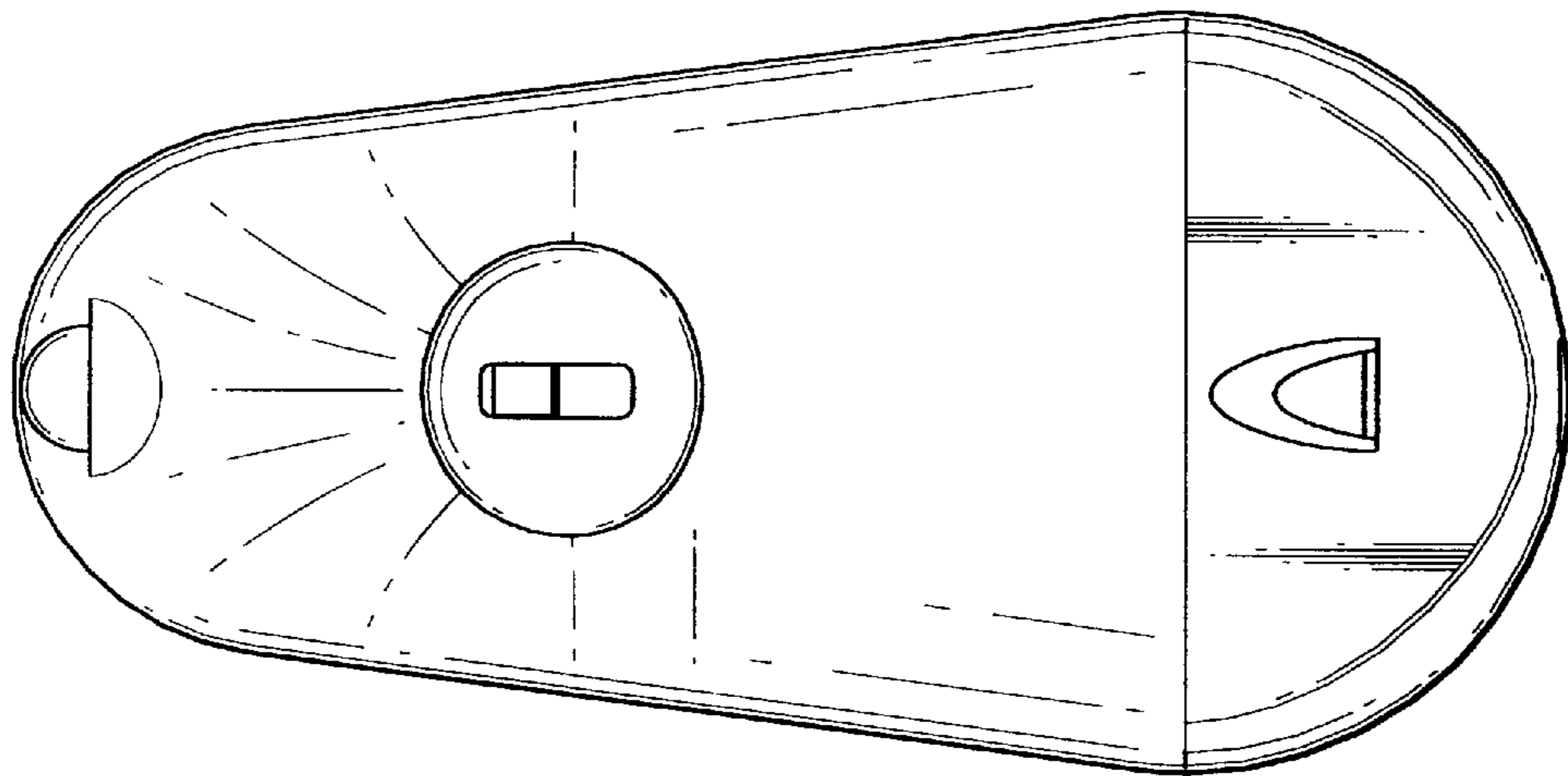


FIG. 6

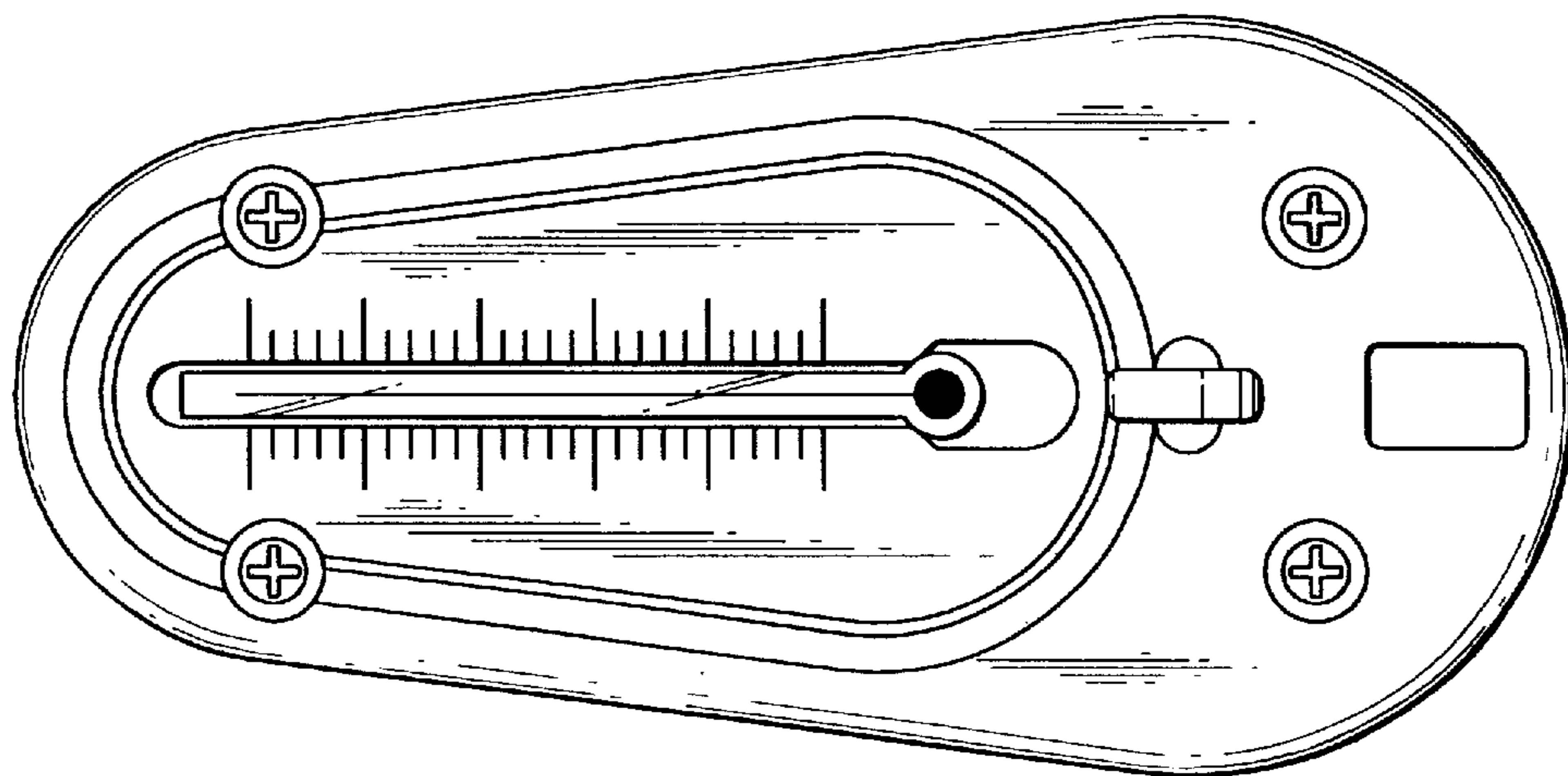


FIG. 7