



US00D484623S

(12) **United States Design Patent**
Liao

(10) **Patent No.:** **US D484,623 S**

(45) **Date of Patent:** **** Dec. 30, 2003**

(54) **AUTOMOBILE LIGHT**

D466,238 S * 11/2002 Tsai D26/28

(75) **Inventor:** **Feng-Chih Liao**, Tainan (TW)

* cited by examiner

(73) **Assignee:** **TYC Brother Industrial Co., Ltd.**,
Tainan (TW)

Primary Examiner—Marcus A. Jackson

(74) *Attorney, Agent, or Firm*—Fitzpatrick, Cella, Harper &
Scinto

(**) **Term:** **14 Years**

(57) **CLAIM**

(21) **Appl. No.:** **29/177,905**

The ornamental design for automobile light, as shown and
described.

(22) **Filed:** **Mar. 19, 2003**

(51) **LOC (7) Cl.** **26-06**

(52) **U.S. Cl.** **D26/28**

(58) **Field of Search** D26/28–36; 362/61,
362/80, 81, 82, 83, 83.3, 267, 269, 330–340

DESCRIPTION

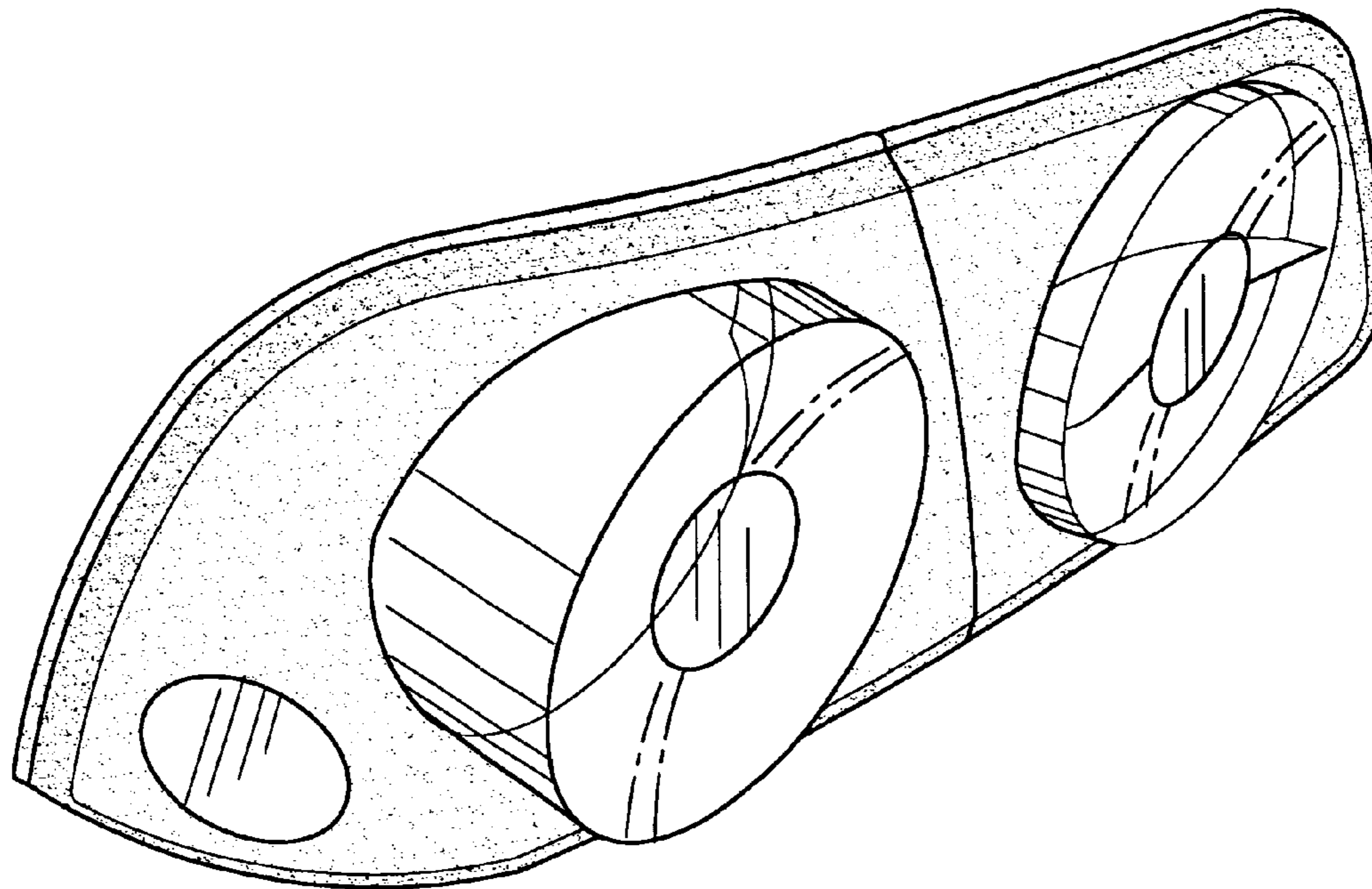
FIG. 1 is a perspective view of automobile light showing the
new design;
FIG. 2 is a front elevational view thereof;
FIG. 3 is a rear elevational view thereof;
FIG. 4 is a left side elevational view thereof;
FIG. 5 is a right side elevational view thereof;
FIG. 6 is a top plan view thereof; and,
FIG. 7 is a bottom plan view thereof.

(56) **References Cited**

U.S. PATENT DOCUMENTS

- D400,273 S * 10/1998 Manske et al. D26/28
- D406,912 S * 3/1999 Sacco et al. D26/28
- D455,509 S * 4/2002 Schroeder et al. D26/28

1 Claim, 4 Drawing Sheets



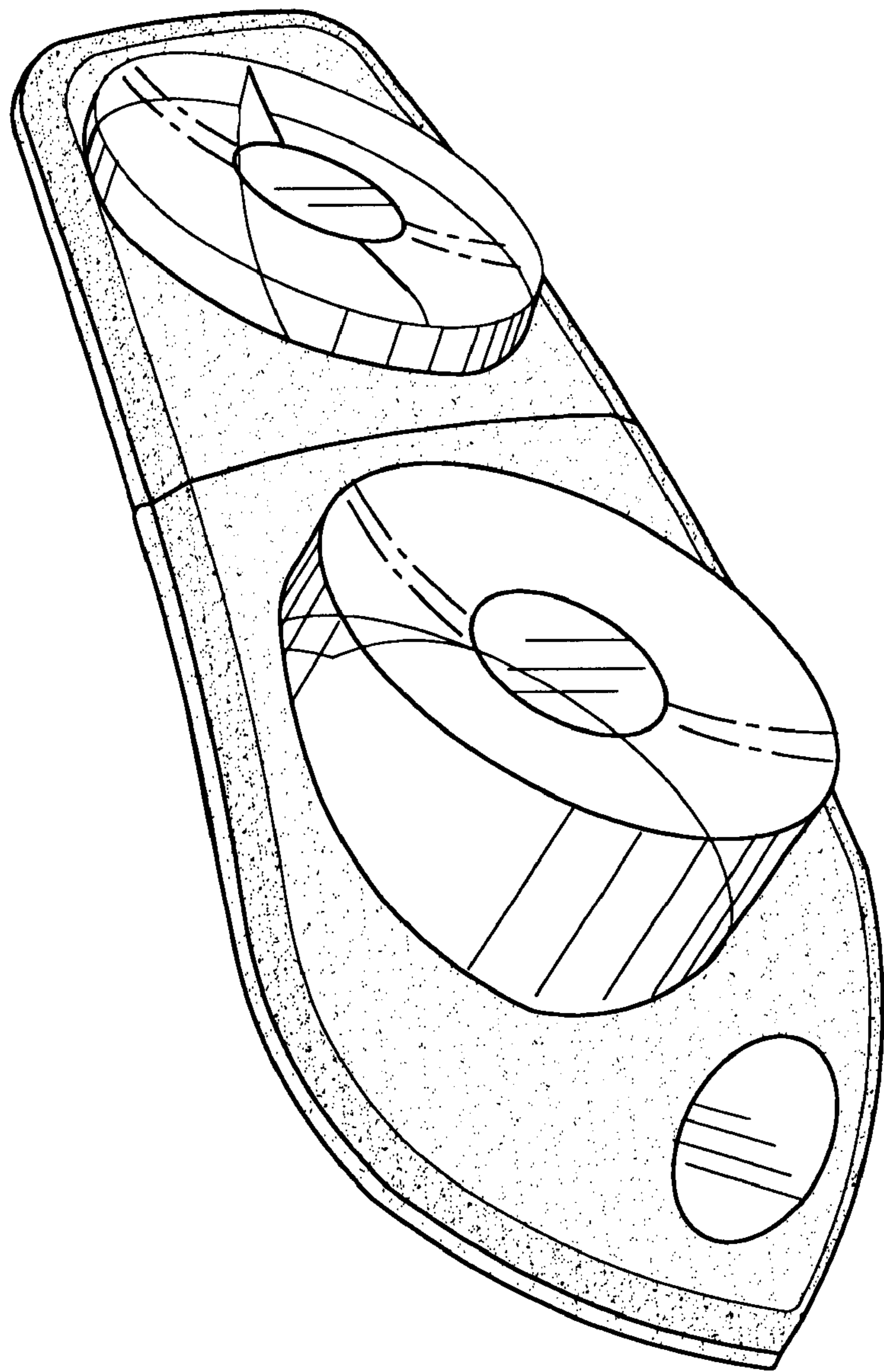


FIG. 1

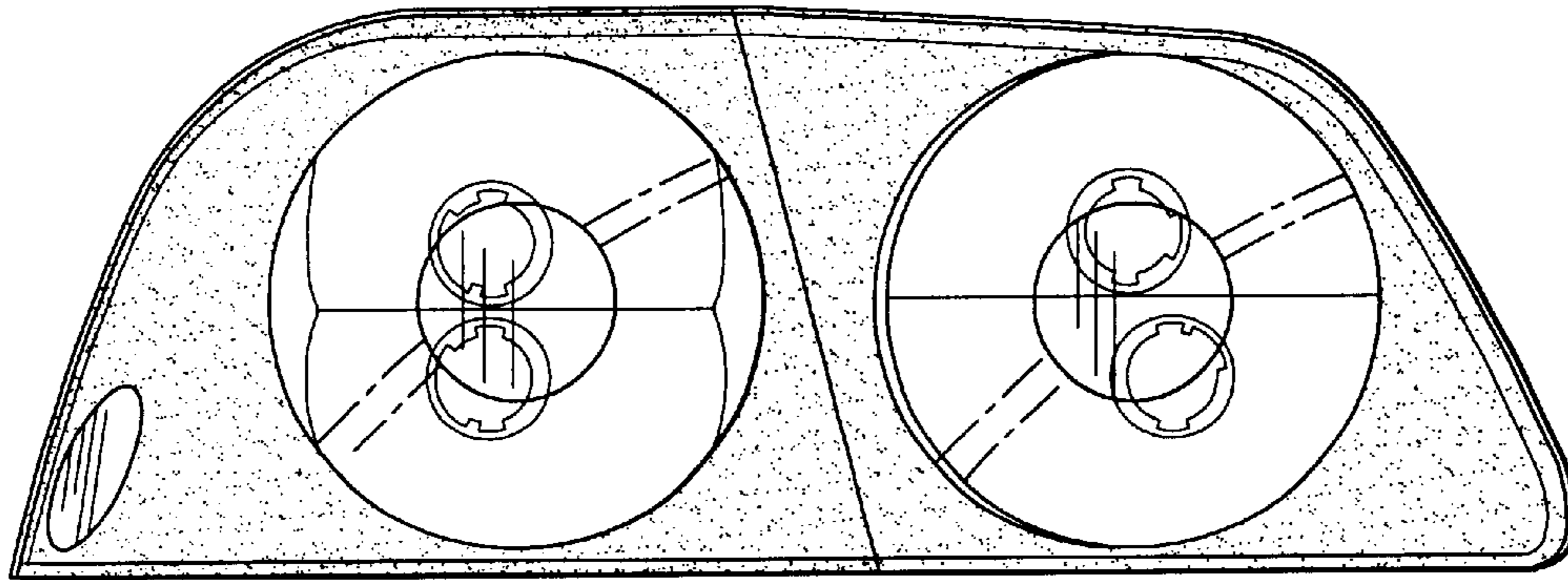


FIG. 2

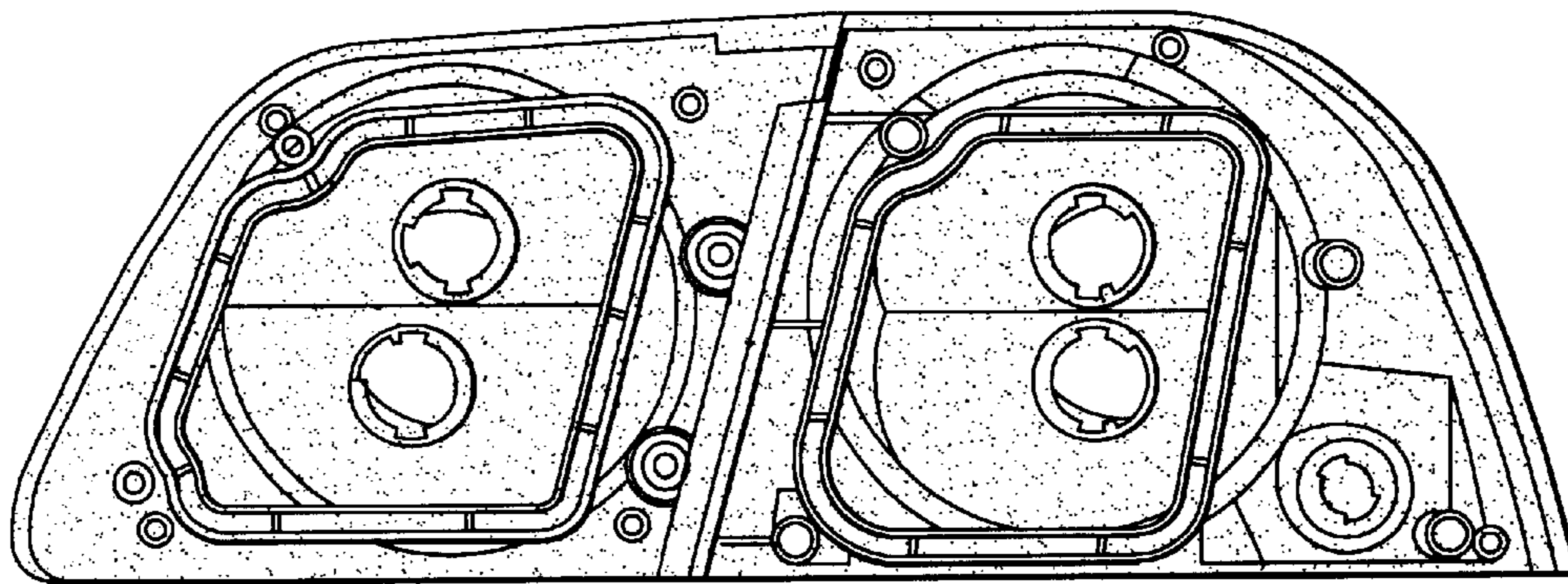


FIG. 3

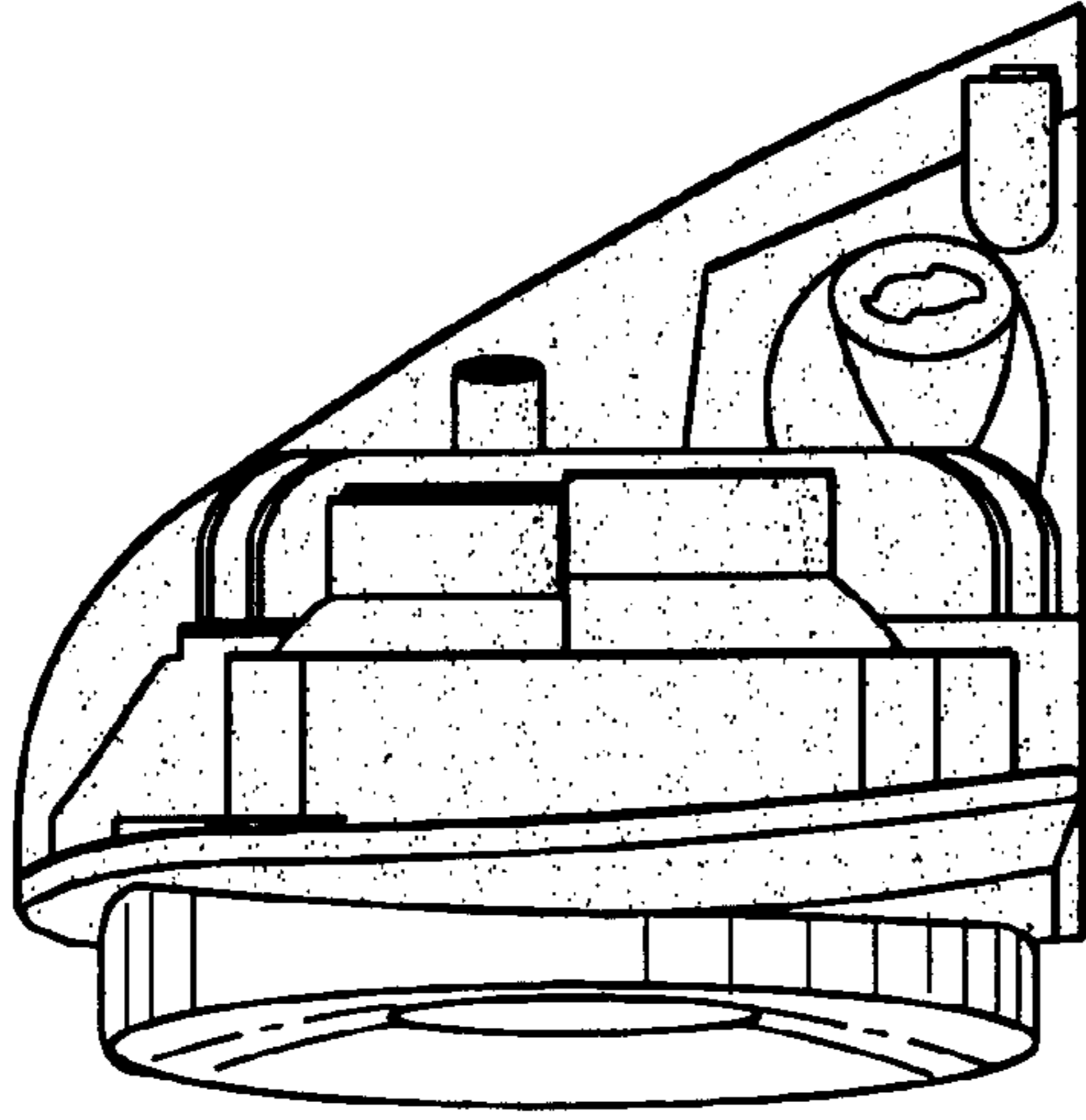


FIG. 5

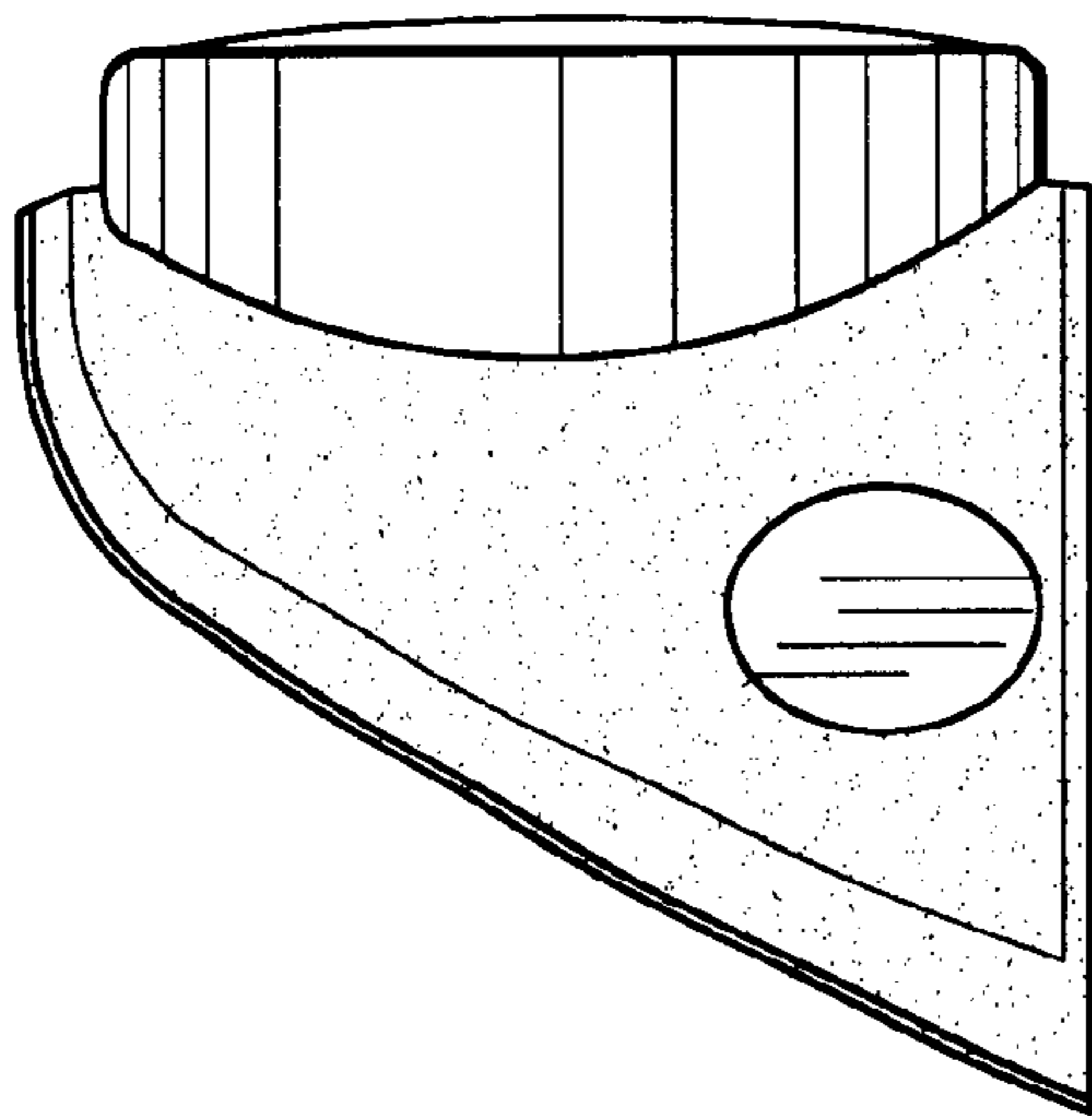


FIG. 4

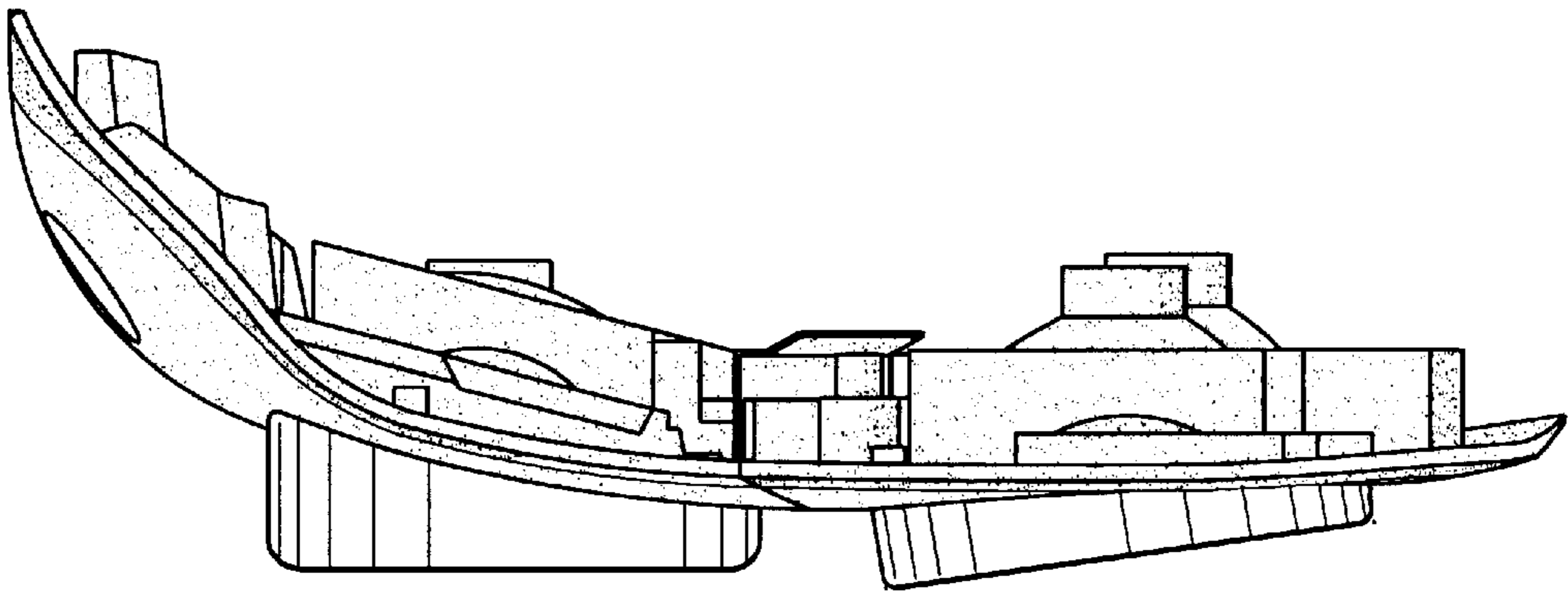


FIG. 6

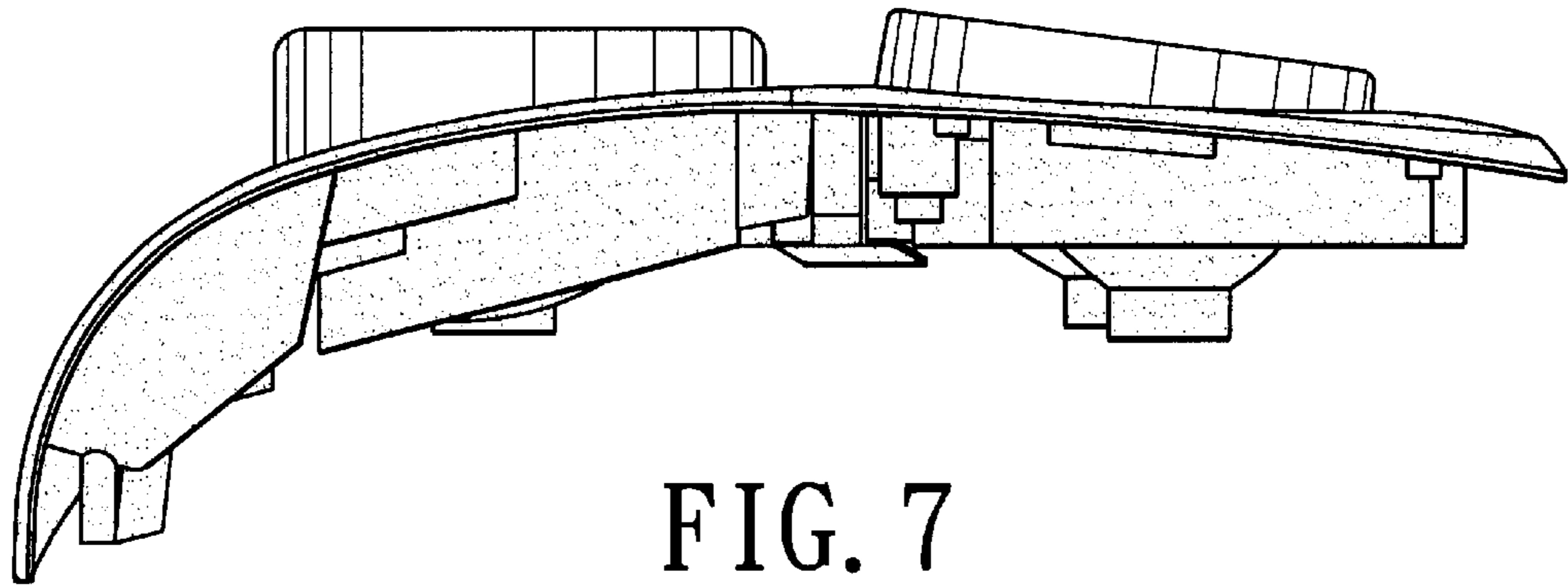


FIG. 7