



US00D484616S

(12) **United States Design Patent**
Stenekes

(10) **Patent No.:** **US D484,616 S**

(45) **Date of Patent:** **** Dec. 30, 2003**

(54) **BUILDING BLOCK**

(76) **Inventor:** **Simon Stenekes**, 408 Oakwood Drive,
Burlington, Ontario (CA), L7N 1X2

(**) **Term:** **14 Years**

(21) **Appl. No.:** **29/175,967**

(22) **Filed:** **Feb. 14, 2003**

(30) **Foreign Application Priority Data**

Aug. 14, 2002 (CA) 100350

(51) **LOC (7) Cl.** **25-01**

(52) **U.S. Cl.** **D25/118**

(58) **Field of Search** D25/102, 112-118,
D25/199; D21/484, 500-501, 504; 52/102,
311.2, 574-575, 588.1, 598.1, 591.1, 592.6;
404/7, 29, 34-35, 39, 41-42; 405/16, 284,
286, 303

(56) **References Cited**

U.S. PATENT DOCUMENTS

D184,747 S * 3/1959 Livesay, Jr. D25/115

D250,484 S * 12/1978 Muse D25/116
5,257,880 A * 11/1993 Janopaul, Jr. 405/286 X
5,261,760 A * 11/1993 Castonguay et al. 404/7
5,505,034 A * 4/1996 Dueck 52/592.6 X
D459,487 S * 6/2002 Bott D25/118
D473,954 S * 4/2003 Mondo D25/118

* cited by examiner

Primary Examiner—Louis S. Zarfaz
Assistant Examiner—Robert A. Delehanty

(74) *Attorney, Agent, or Firm*—Ingrid E. Schmidt

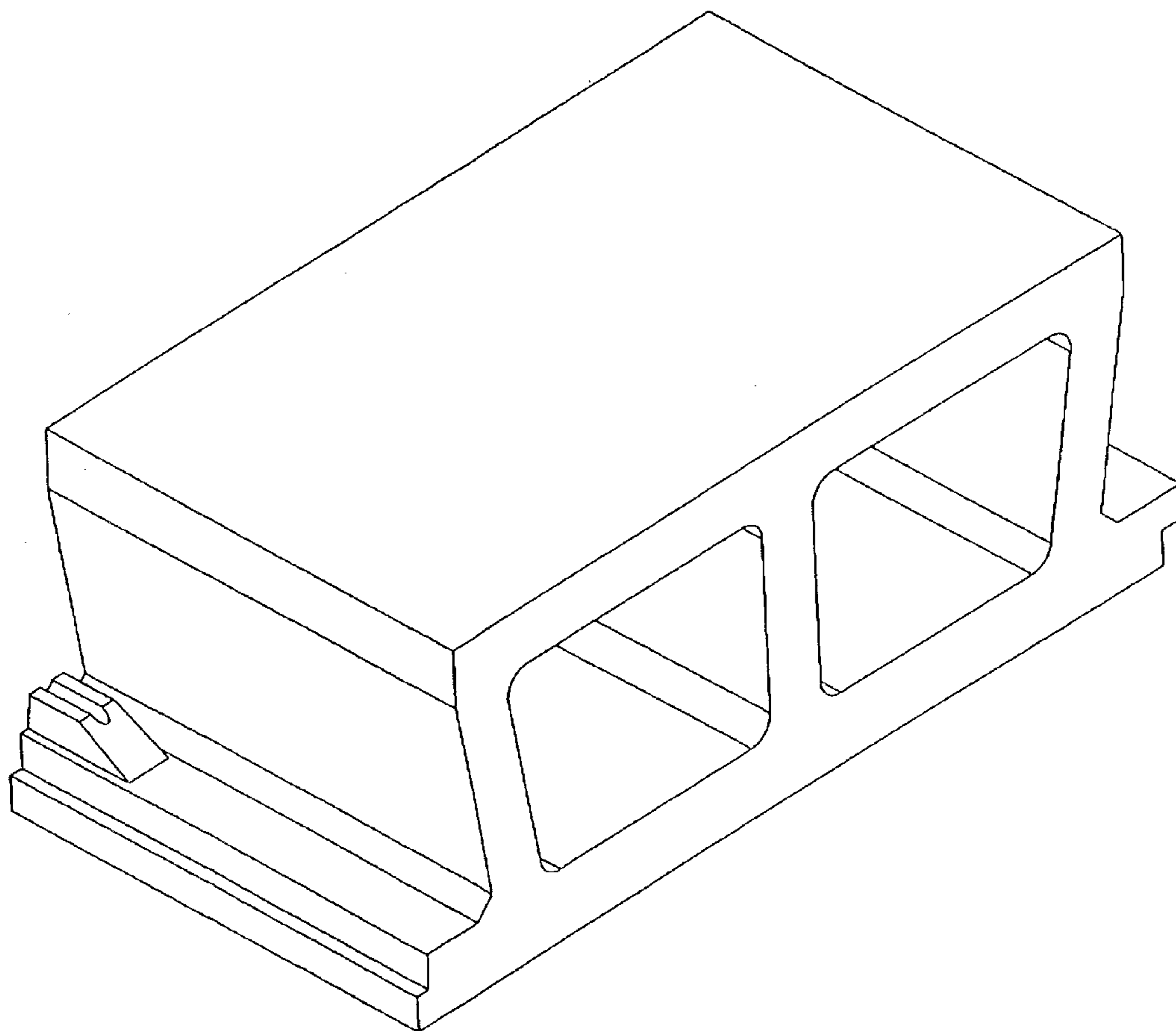
(57) **CLAIM**

I claim the ornamental design for a building block, as shown and described.

DESCRIPTION

FIG. 1 is a perspective view from the top and the left of a building block showing my new design;
FIG. 2 is a perspective view thereof;
FIG. 3 is a front elevation view thereof; and,
FIG. 4 is a right side elevation view thereof.

1 Claim, 3 Drawing Sheets



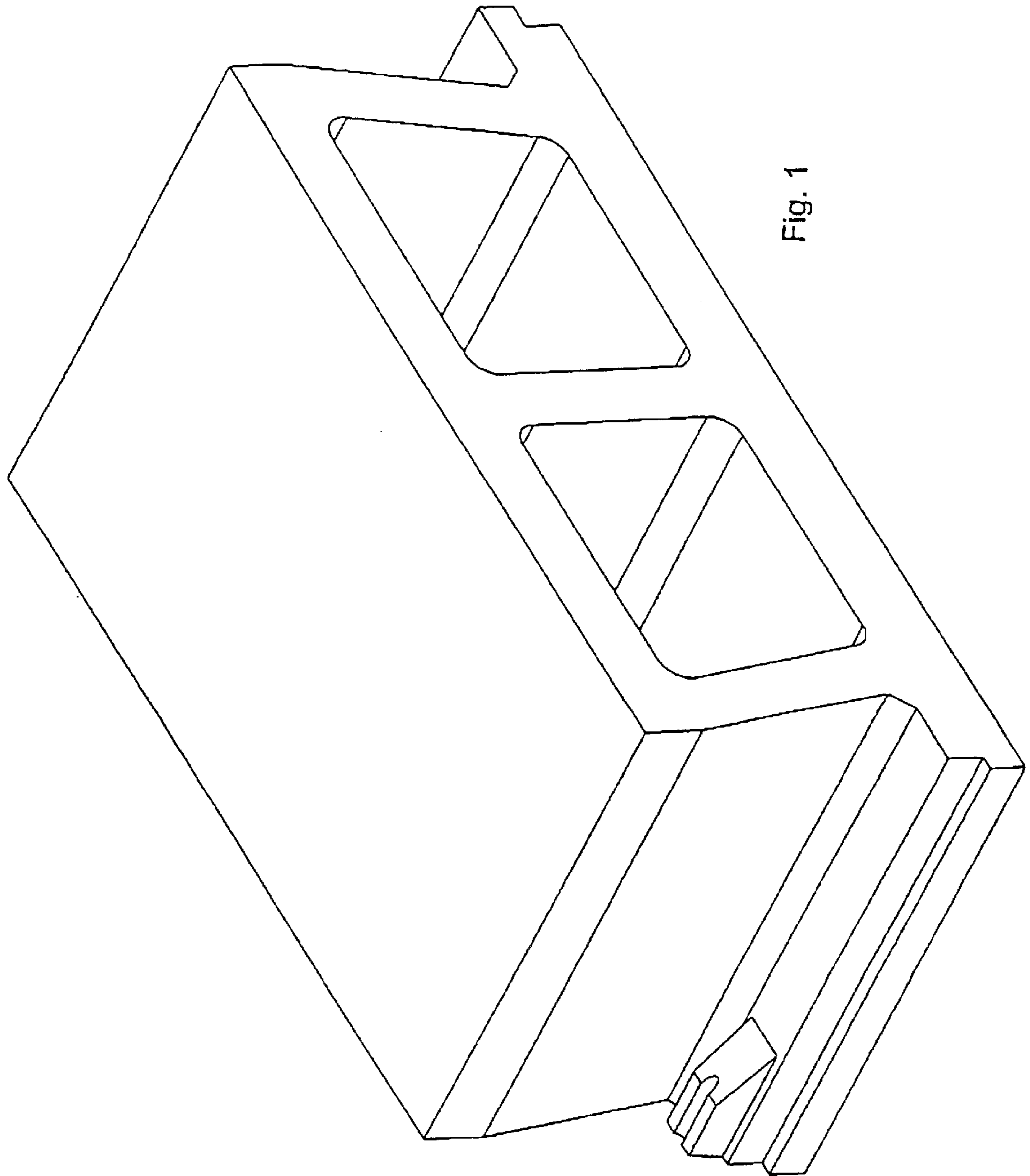


Fig. 1

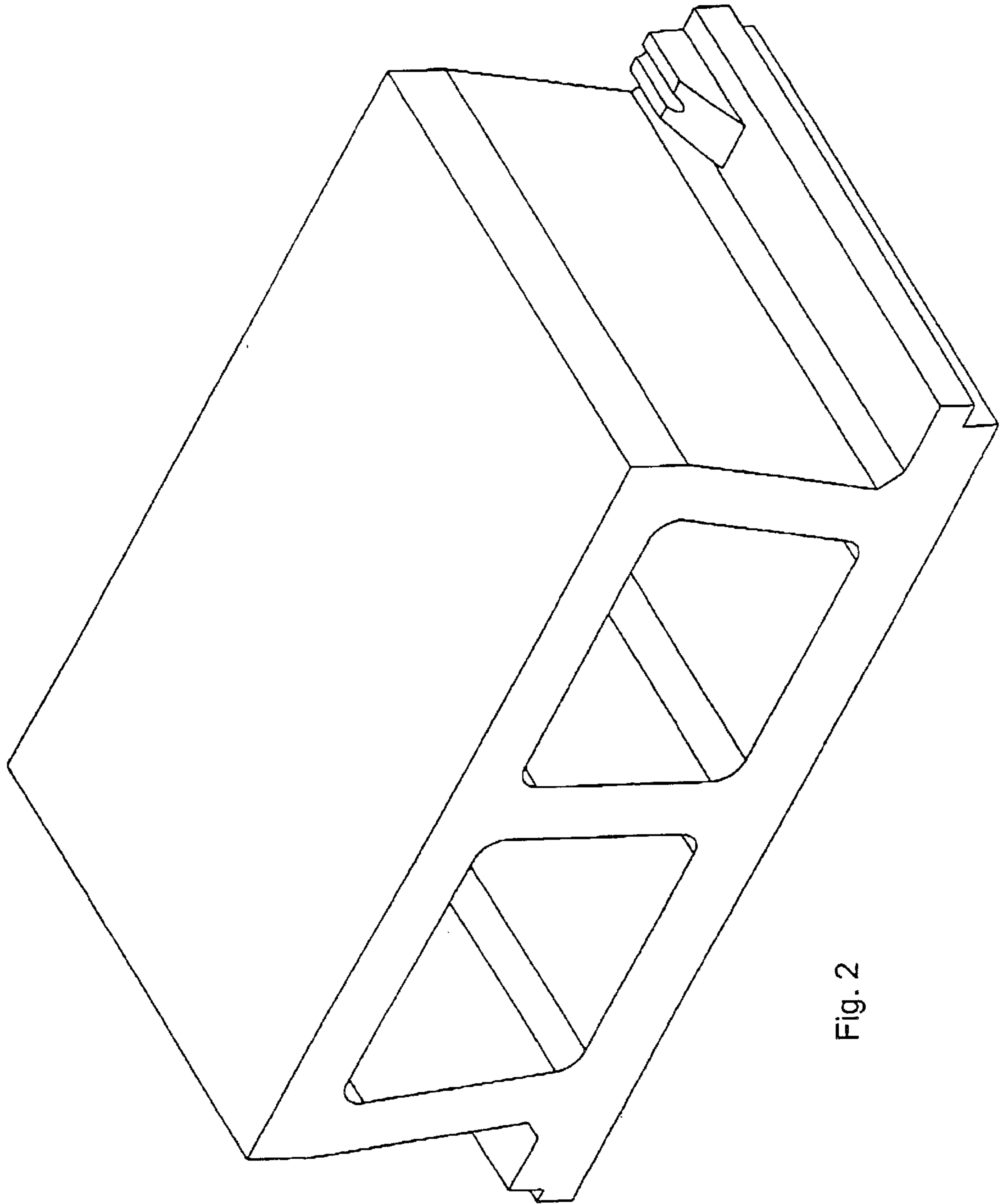


Fig. 2

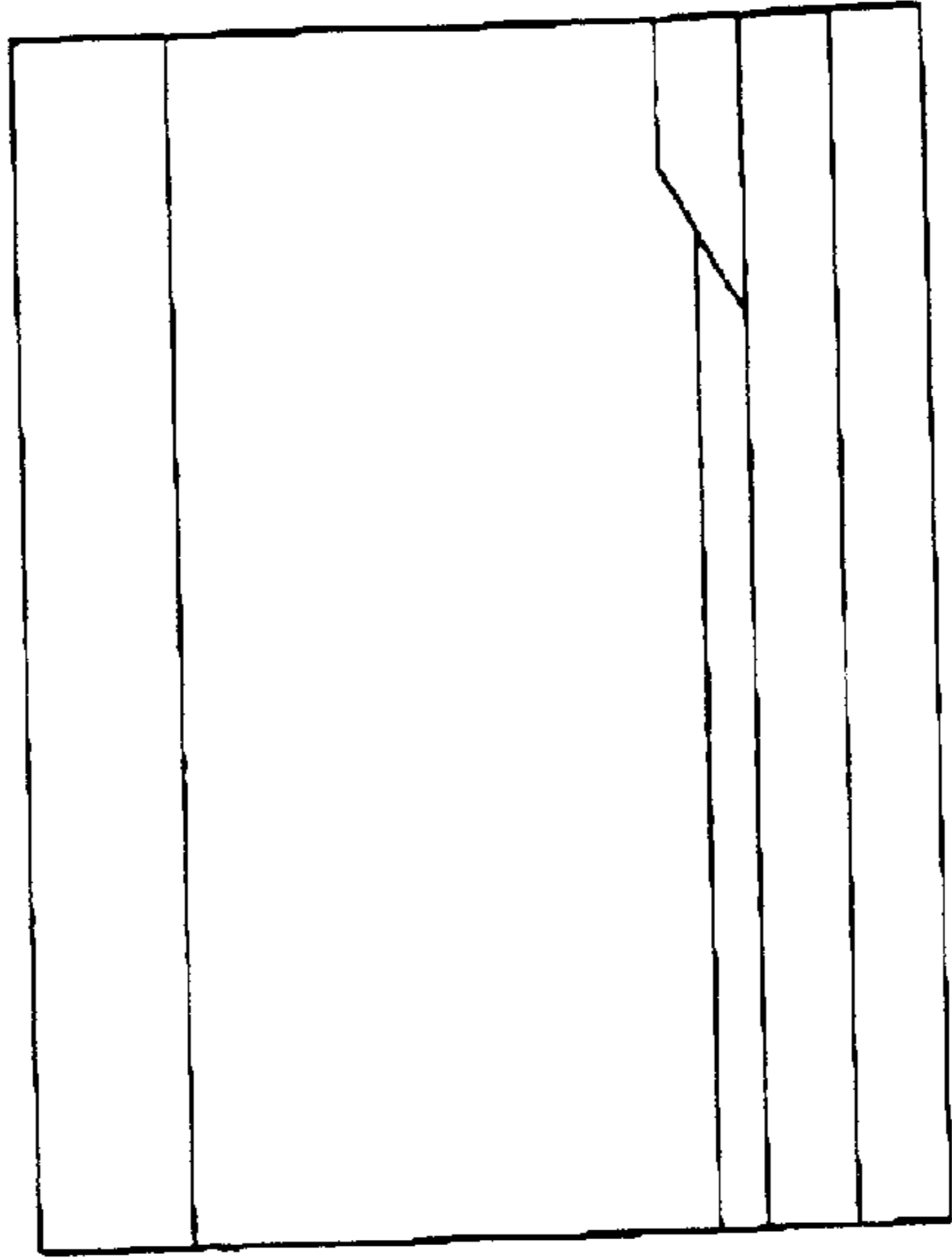


Fig. 4

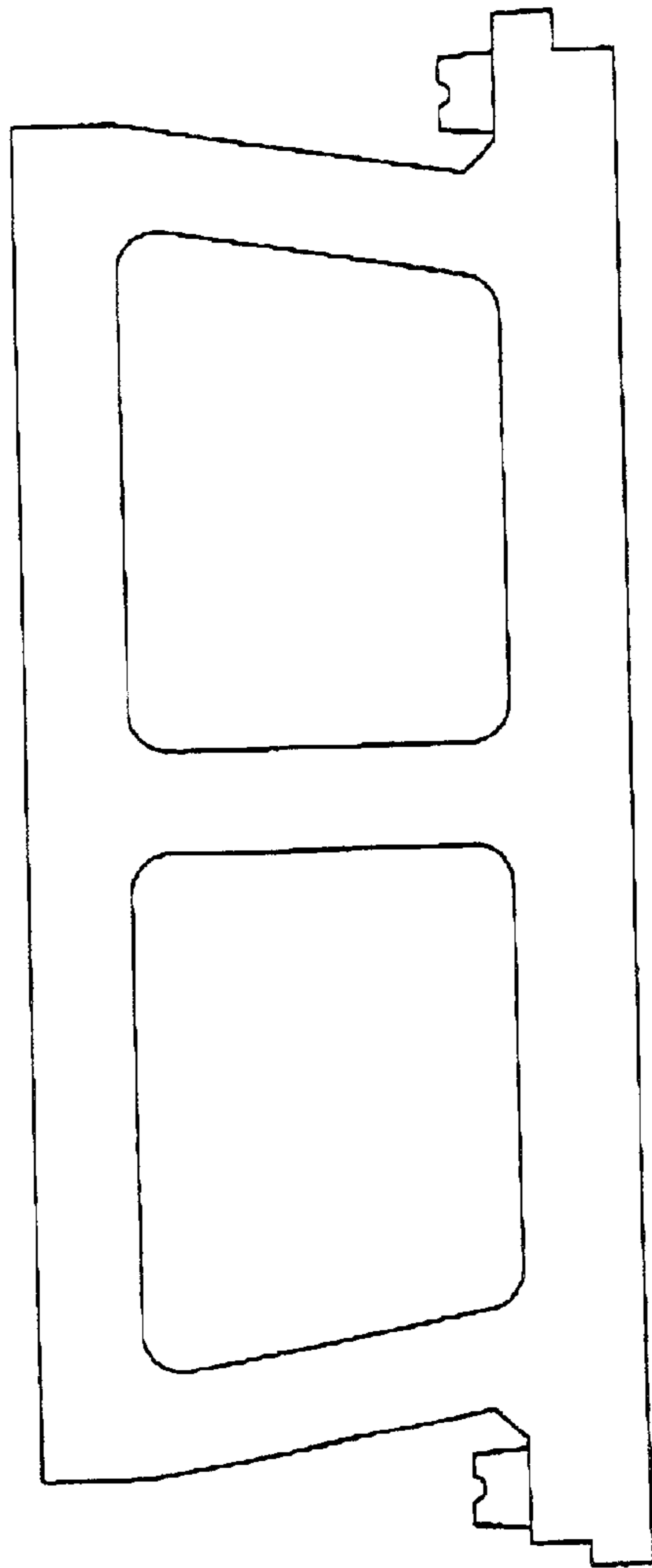


Fig. 3