



US00D484614S

(12) **United States Design Patent**
Charlebois

(10) **Patent No.:** **US D484,614 S**

(45) **Date of Patent:** **** Dec. 30, 2003**

(54) **NESTABLE MODULAR UNDERGROUND ENCLOSURE**

6,161,345 A * 12/2000 Hope et al. 52/59.6

* cited by examiner

(75) Inventor: **Raymond Charlebois**, Laval-sur-le-Lac (CA)

Primary Examiner—Doris Clark

(74) *Attorney, Agent, or Firm*—Van Tassel & Associates

(73) Assignee: **Charlebois Technologies Inc.**, Laval-sur-le-Lac (CA)

(57) **CLAIM**

(**) Term: **14 Years**

I claim the ornamental design for a nestable modular underground enclosure, as shown.

(21) Appl. No.: **29/183,152**

DESCRIPTION

(22) Filed: **Jun. 7, 2003**

Related U.S. Application Data

FIG. 1 is a front perspective view of the nestable modular underground enclosure of the present design, showing a lid in exploded view;

(62) Division of application No. 29/167,012, filed on Sep. 6, 2002, now Pat. No. Des. 478,672.

FIG. 2 is a front perspective view of two corner panels of the nestable modular underground enclosure of the present design;

(51) **LOC (7) Cl.** **25-02**

FIG. 3 is a top plan view of the nestable modular underground enclosure of the present design;

(52) **U.S. Cl.** **D25/36**

FIG. 4 is a front elevational view of the nestable modular underground enclosure of the present design;

(58) **Field of Search** D25/36, 35, 1; 52/169.1, 169.5, 169.7; 405/132

FIG. 5 is a top plan view of the lid of the nestable modular underground enclosure of the present design; and,

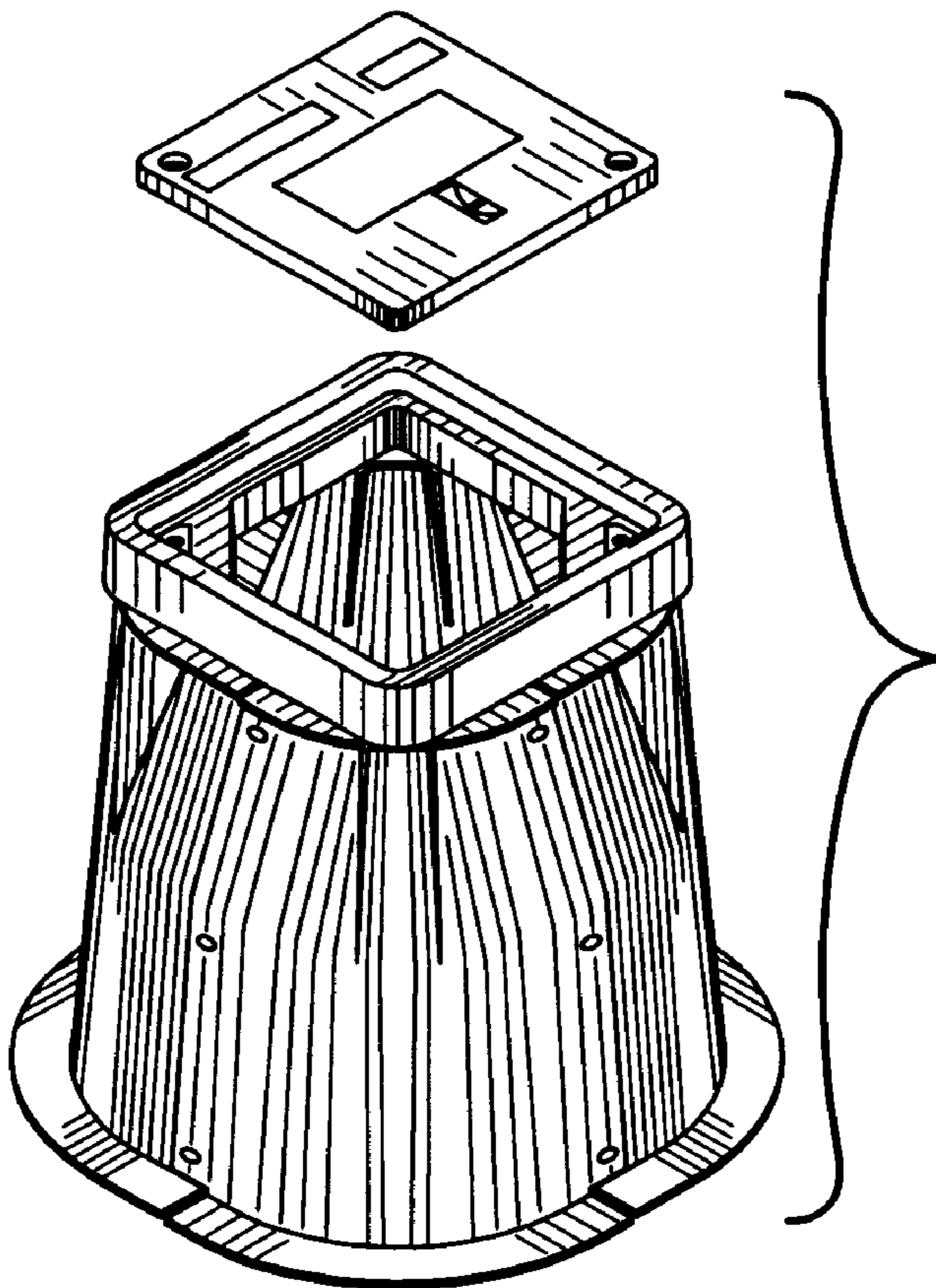
(56) **References Cited**

FIG. 6 is a side elevational view of the lid of the nestable modular underground enclosure of the present design.

U.S. PATENT DOCUMENTS

D261,432 S * 10/1981 Ballard D25/36

1 Claim, 1 Drawing Sheet



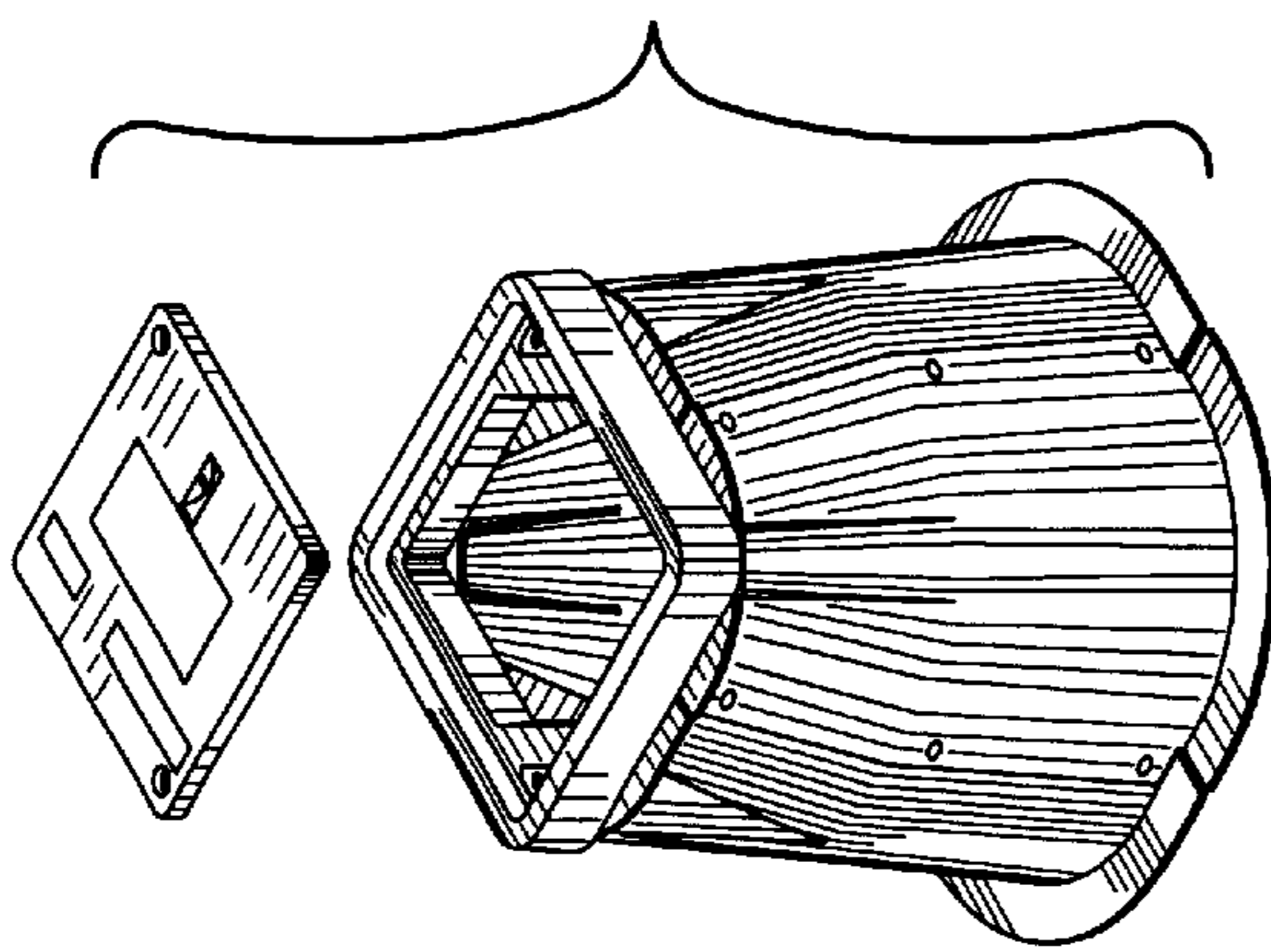


FIG. 1

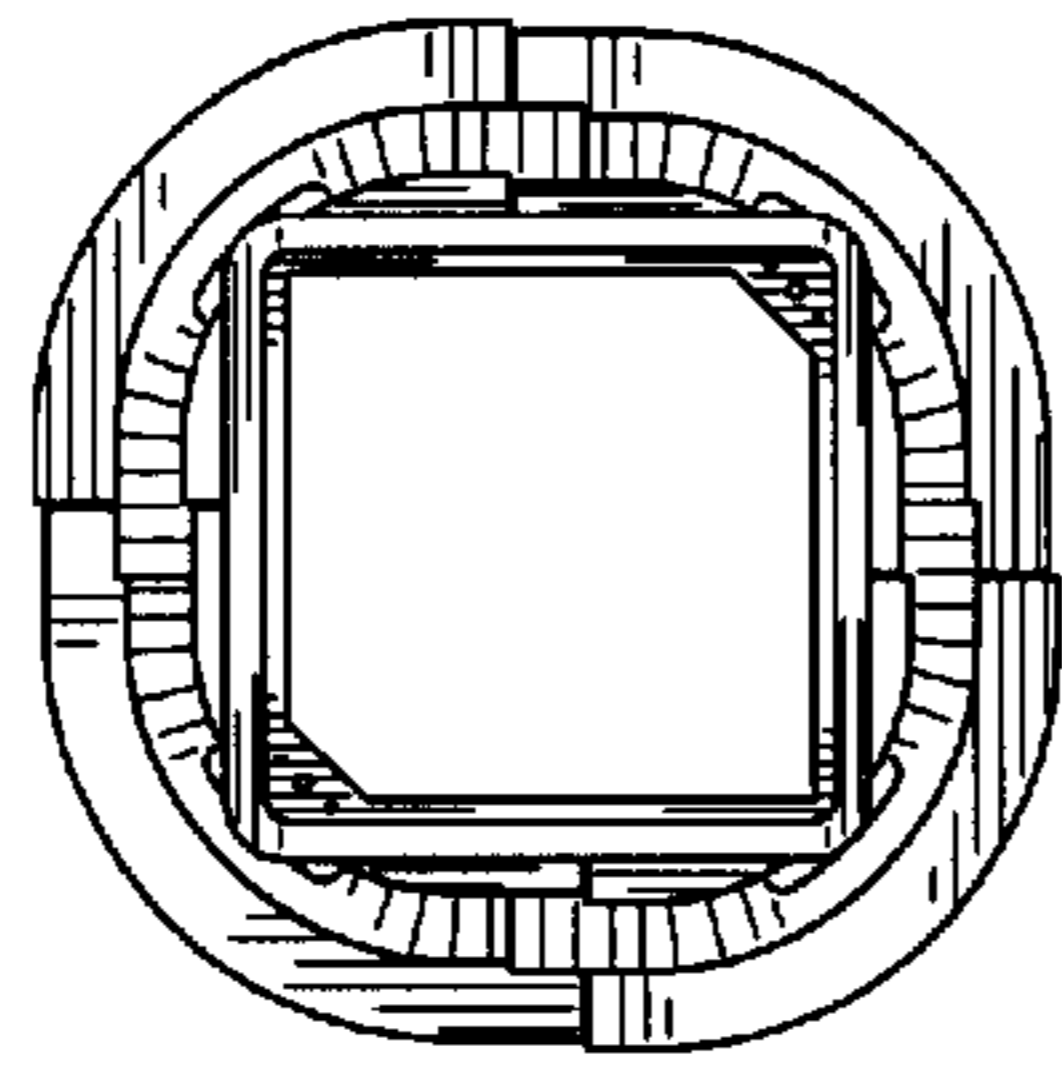


FIG. 3

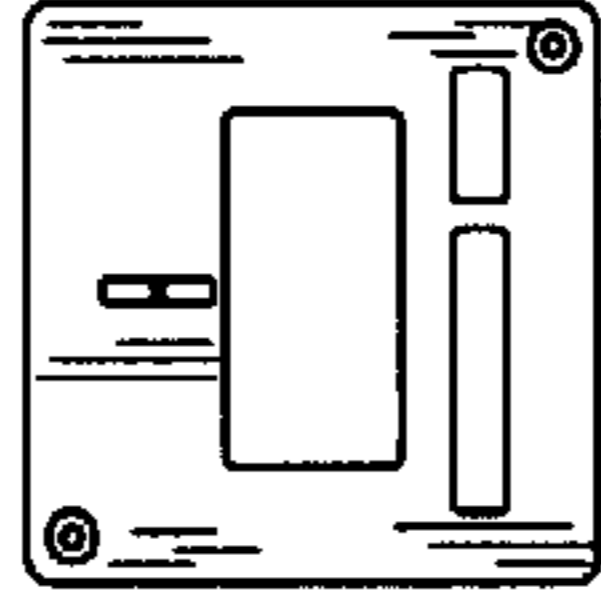


FIG. 5

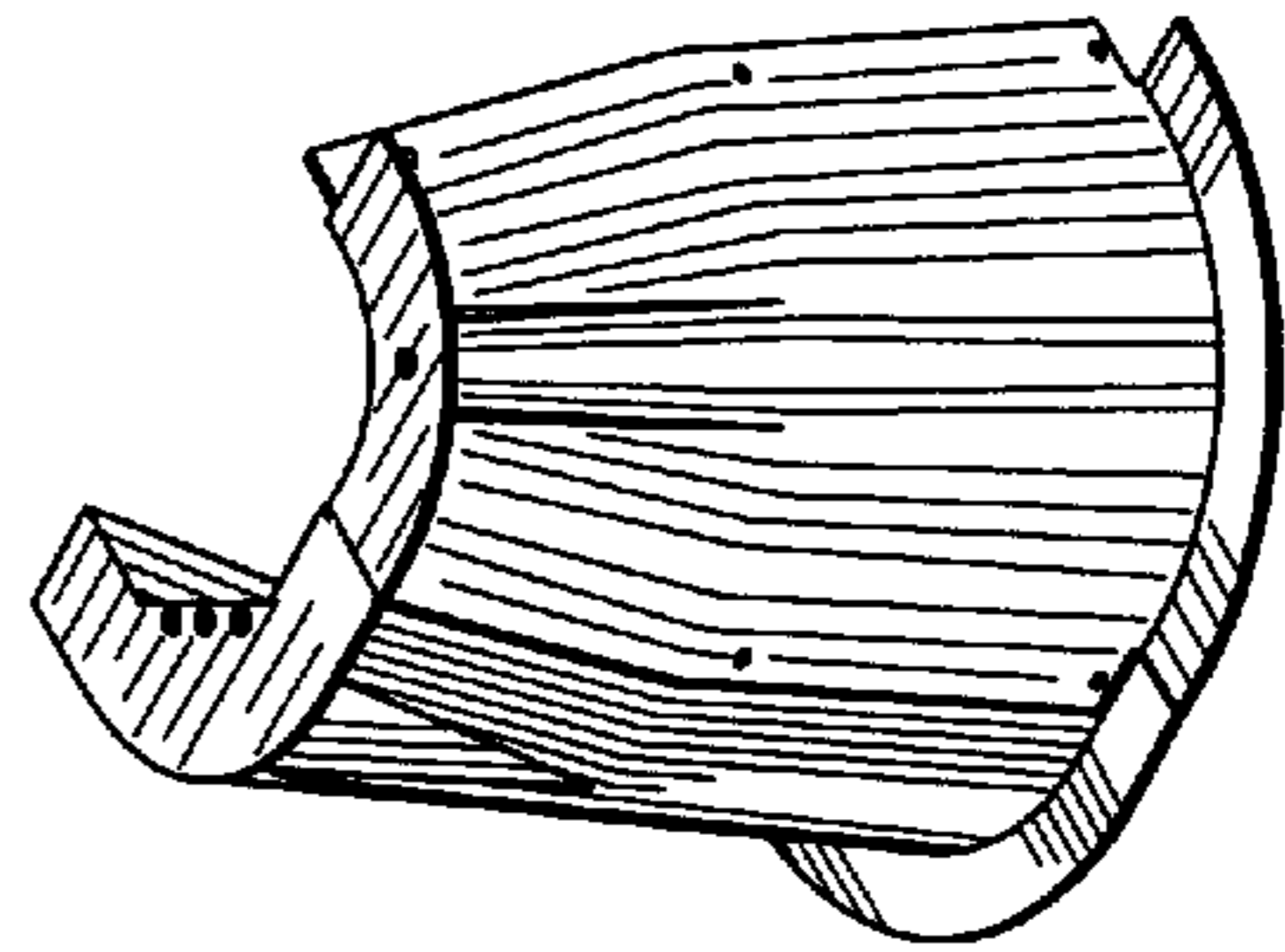


FIG. 2

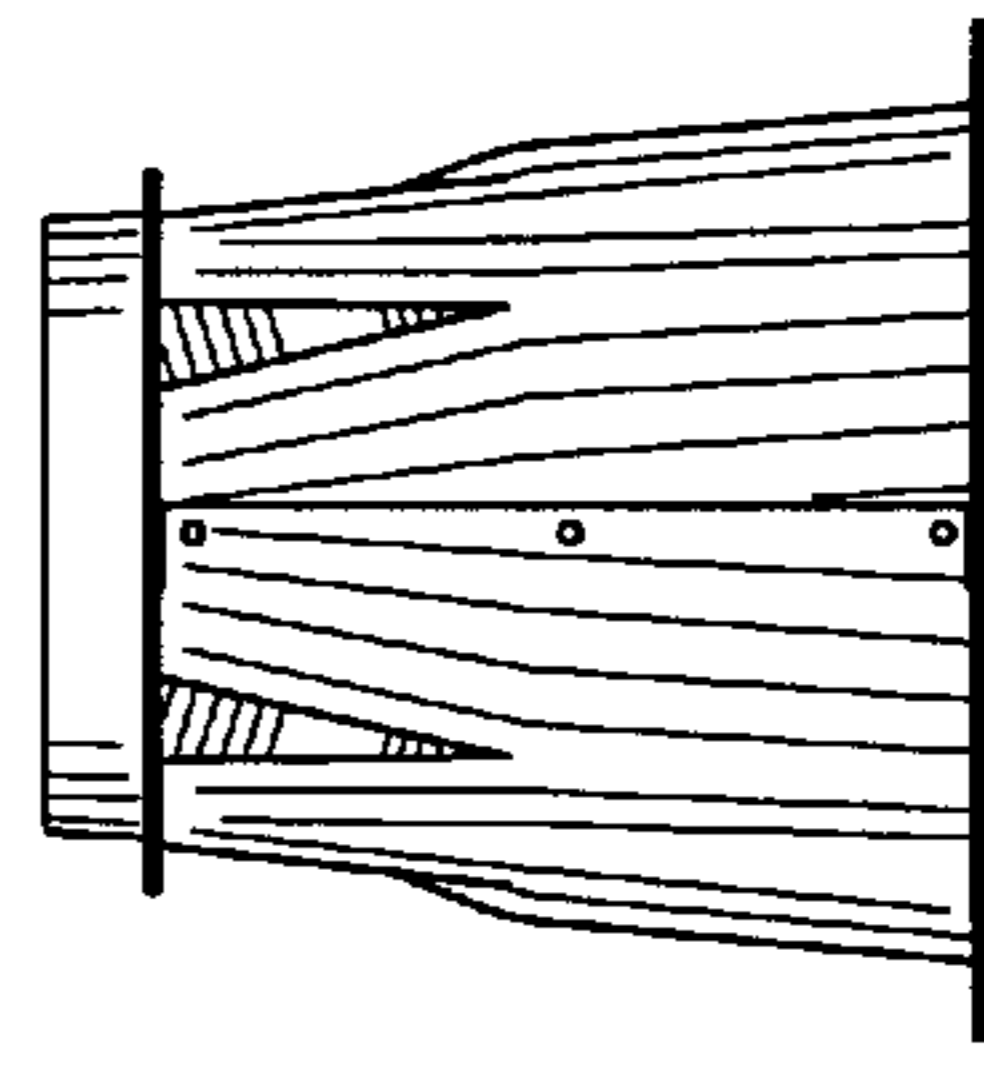


FIG. 4



FIG. 6