



US00D484611S

(12) **United States Design Patent**  
**Bonnin**

(10) **Patent No.:** **US D484,611 S**

(45) **Date of Patent:** **\*\* Dec. 30, 2003**

(54) **SWIMMING POOL**

(75) Inventor: **Erik Bonnin**, Carspach (FR)

(73) Assignee: **Sevylor International** (FR)

(\*\*) Term: **14 Years**

(21) Appl. No.: **29/173,765**

(22) Filed: **Jan. 6, 2003**

(30) **Foreign Application Priority Data**

Jul. 5, 2002 (FR) ..... 02 4114

(51) **LOC (7) Cl.** ..... **25-03**

(52) **U.S. Cl.** ..... **D25/2**

(58) **Field of Search** ..... D25/1, 2; 4/488,  
4/506

(56) **References Cited**

**U.S. PATENT DOCUMENTS**

D408,546 S \* 4/1999 Carreau ..... D25/2

5,946,744 A \* 9/1999 Peterson ..... 4/506

\* cited by examiner

*Primary Examiner*—Doris Clark

(74) *Attorney, Agent, or Firm*—Dean W. Russell; Kilpatrick Stockton LLP

(57) **CLAIM**

The ornamental design for a swimming pool, as shown and described.

**DESCRIPTION**

FIG. 1 is a front elevational view of the new design for a swimming pool;

FIG. 2 is a rear elevational view of the swimming pool;

FIG. 3 is a left side elevational view of the swimming pool;

FIG. 4 is a right side elevational view of the swimming pool;

FIG. 5 is a top plan view of the swimming pool;

FIG. 6 is a bottom plan view of the swimming pool;

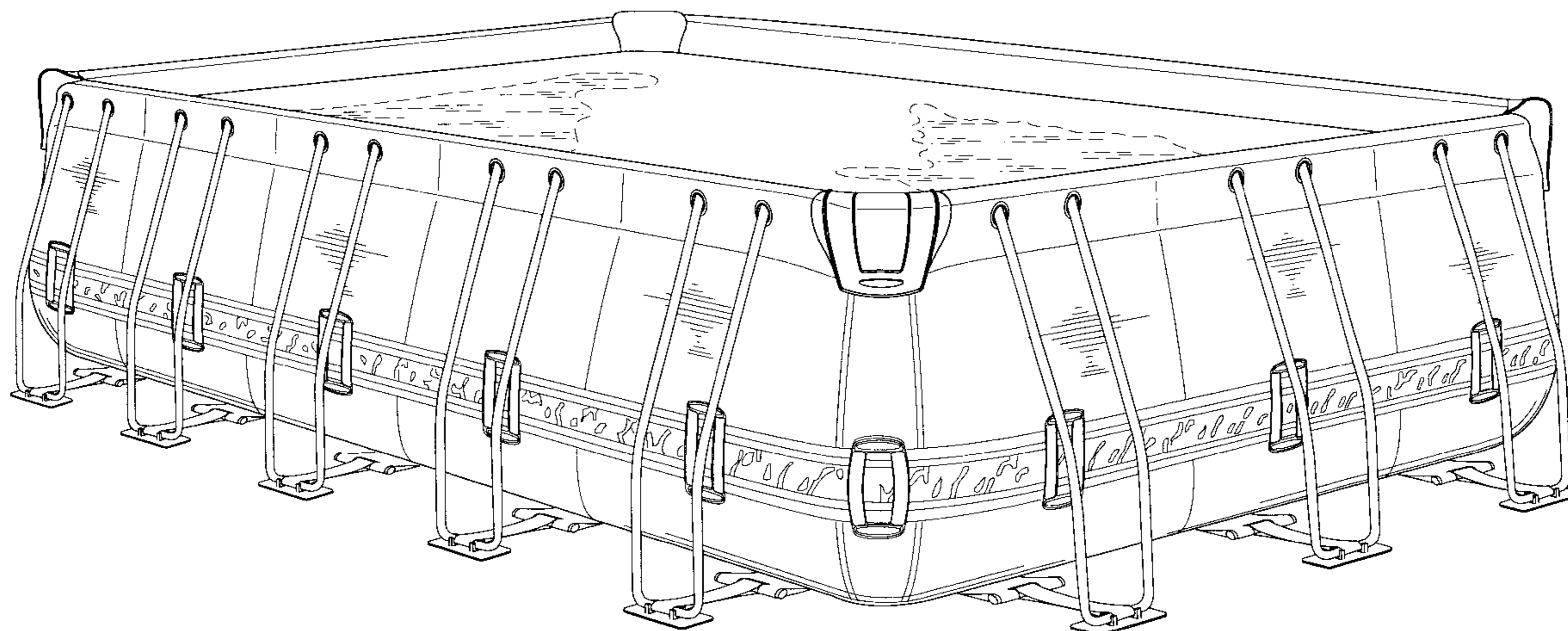
FIG. 7 is a top perspective view of the swimming pool;

FIG. 8 is an enlarged view of one of the barred sections in FIG. 1; and,

FIG. 9 is an enlarged view of the horizontal band in FIG. 1.

The broken lines of swirls showing water in the swimming pool are provided for illustrative purposes only and are not intended to be part of the invention.

**1 Claim, 7 Drawing Sheets**



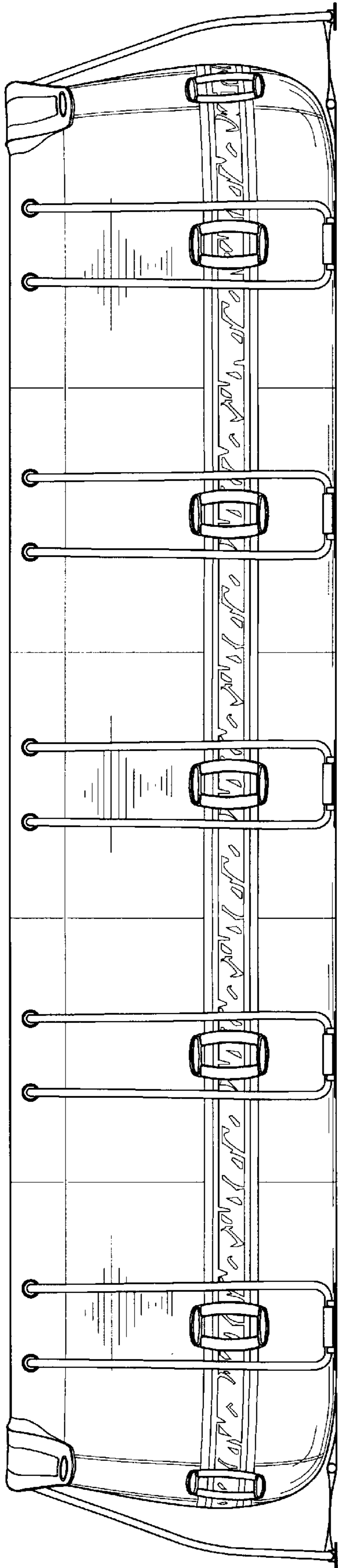


FIG. 1

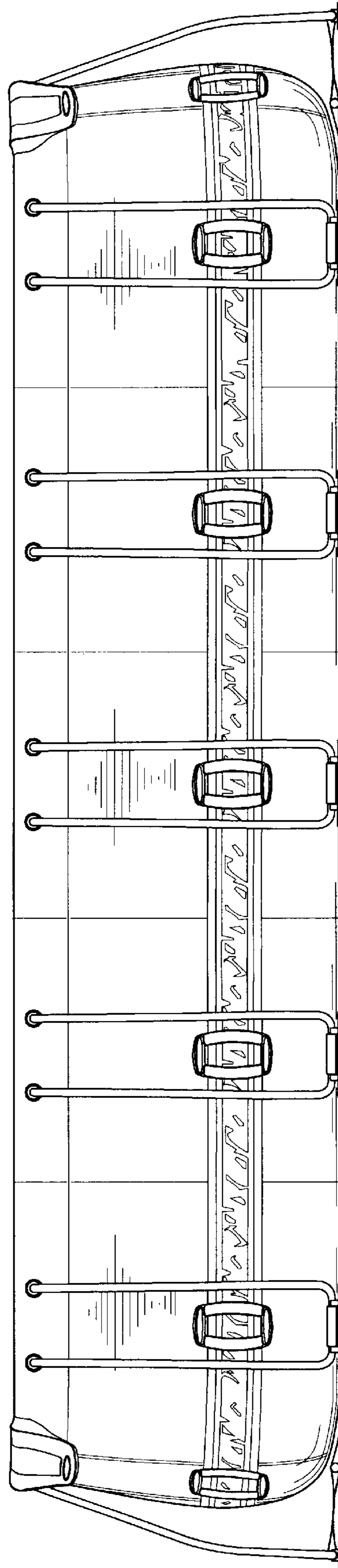


FIG. 2

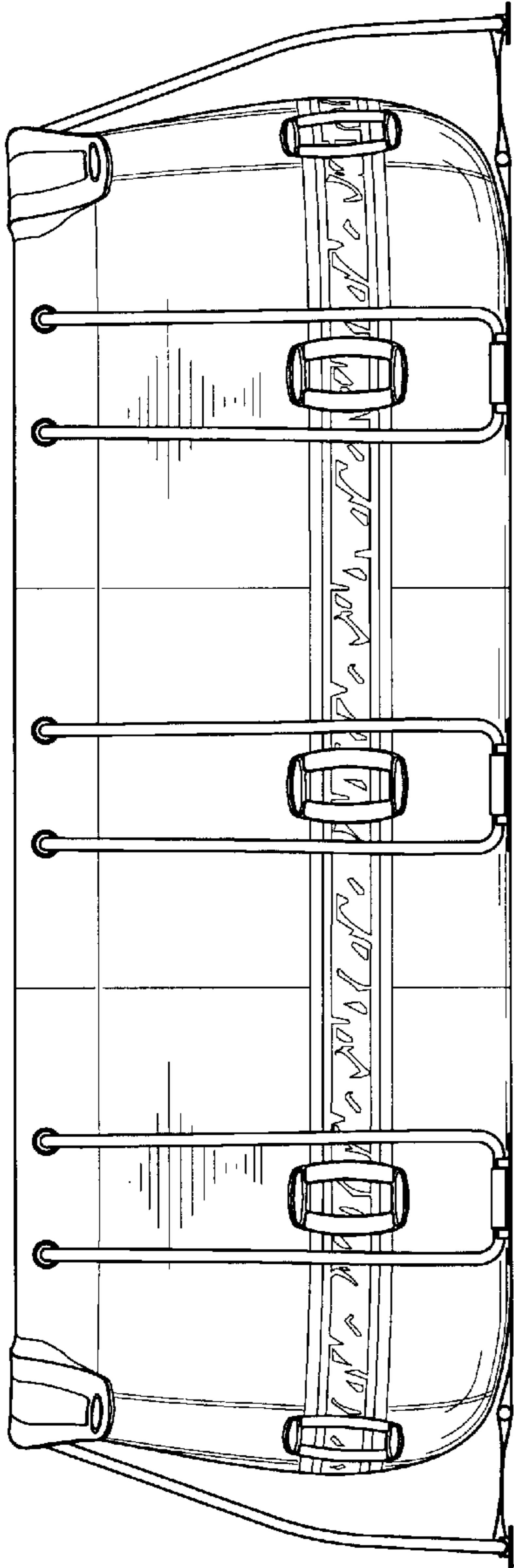


FIG. 3

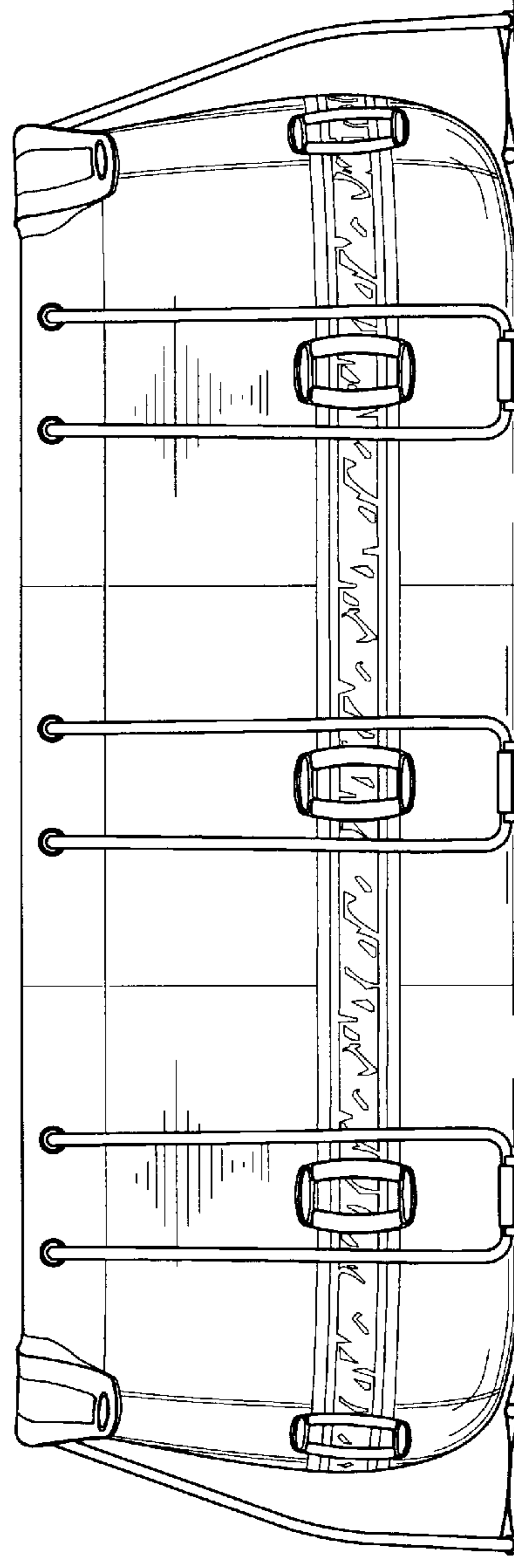


FIG. 4

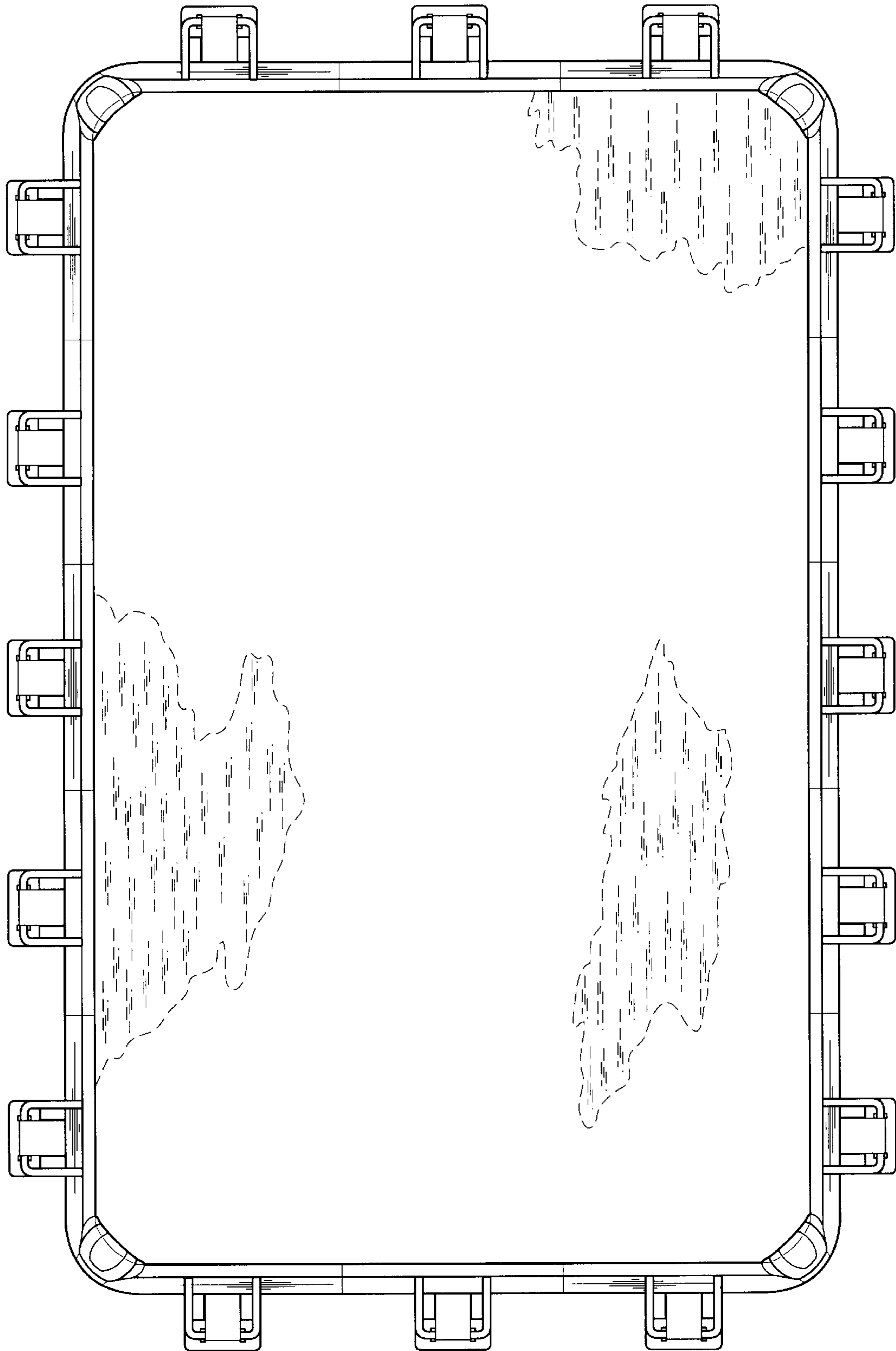


FIG. 5

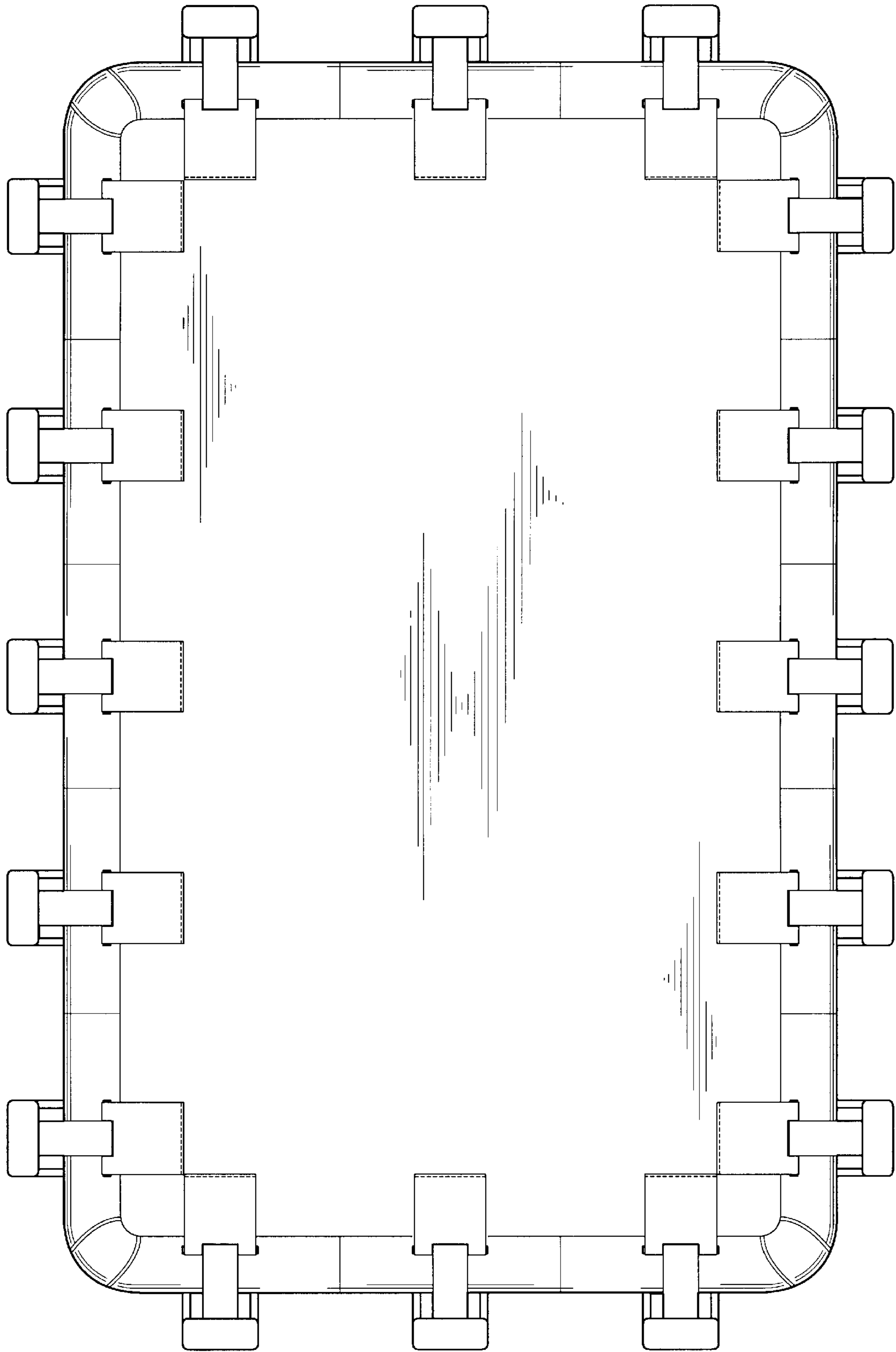


FIG. 6

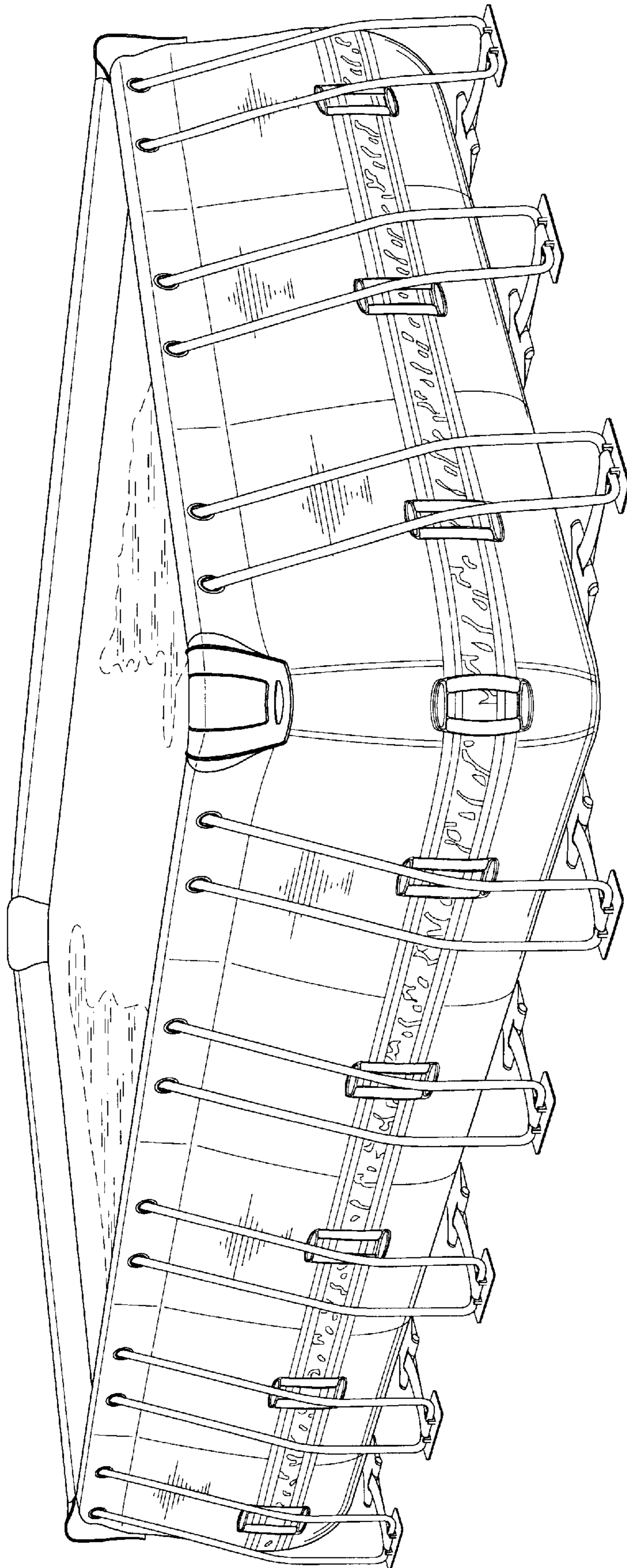


FIG. 7

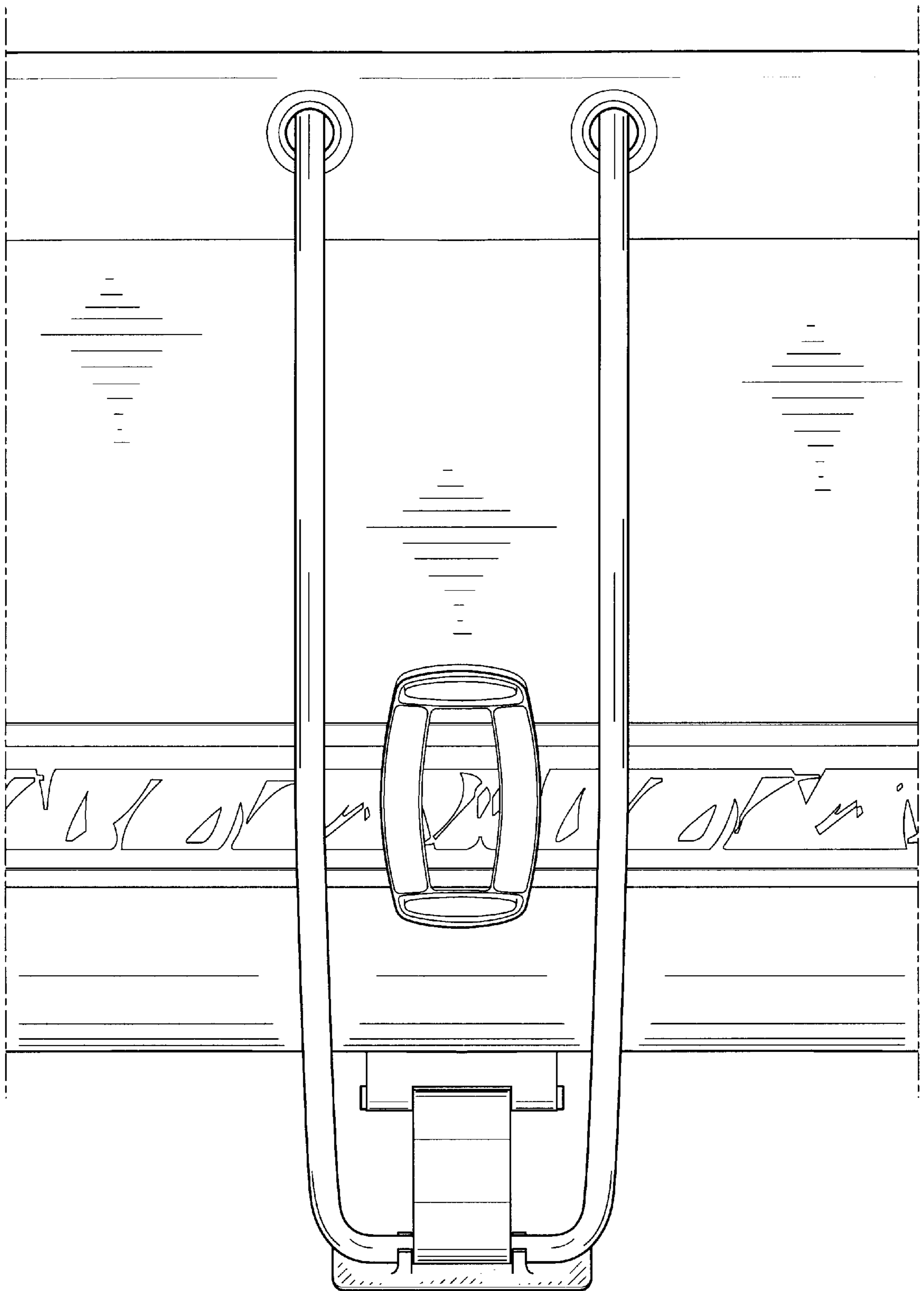


FIG. 8

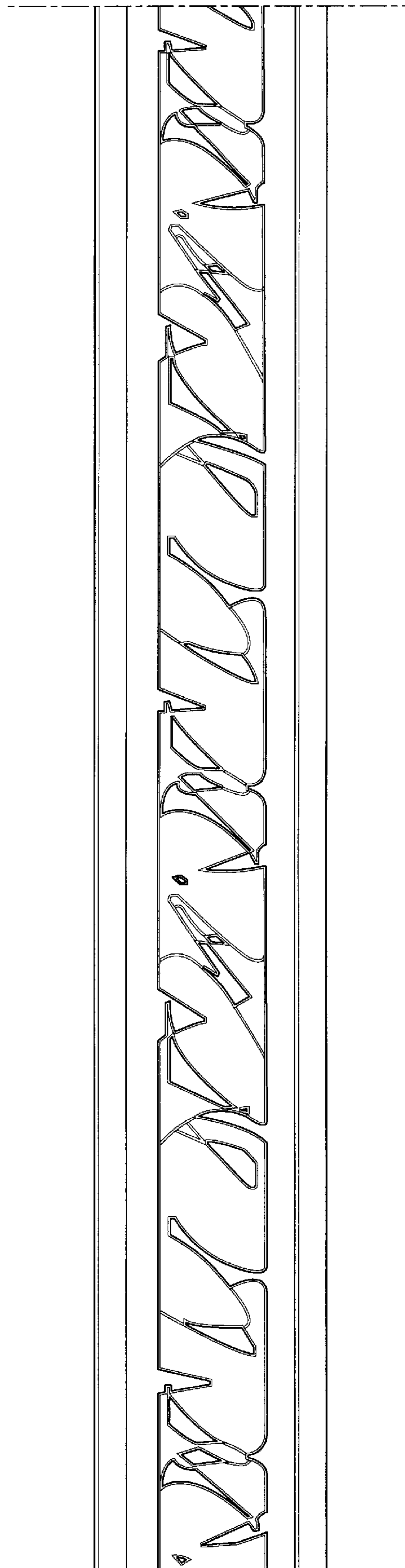


FIG. 9