



US00D484609S

(12) **United States Design Patent**
Harrington et al.

(10) **Patent No.:** **US D484,609 S**

(45) **Date of Patent:** **** Dec. 30, 2003**

(54) **BOX CULVERT**

Primary Examiner—Doris Clark

(75) Inventors: **Dan W. Harrington**, Guelph (CA);
Allan T. Lowe, Guelph (CA); **J. Patrick Sheehan**, Guelph (CA)

(57) **CLAIM**

The ornamental design for a box culvert, as shown and described.

(73) Assignee: **Armtec Limited**, Guelph (CA)

DESCRIPTION

(**) Term: **14 Years**

(21) Appl. No.: **29/175,784**

(22) Filed: **Feb. 11, 2003**

(30) **Foreign Application Priority Data**

Nov. 7, 2002 (CA) 101144

(51) **LOC (7) Cl.** **25-03**

(52) **U.S. Cl.** **D25/1**

(58) **Field of Search** D25/1, 199, 102;
405/132, 133, 134, 125, 126

FIG. 1 is a perspective view from the top of the box culvert showing our new design;
FIG. 2 is a perspective view from the bottom thereof;
FIG. 3 is a view of a first end thereof;
FIG. 4 is a view of a second end thereof;
FIG. 5 is a top view thereof;
FIG. 6 is a bottom view thereof;
FIG. 7 is a side view of a first side thereof;
FIG. 8 is a side view of a second side thereof;
FIG. 9 is a perspective view from the top of the box culvert showing an alternative embodiment of the box culvert shown in FIG. 1;
FIG. 10 is a perspective view from the bottom thereof;
FIG. 11 is a view of a first end thereof;
FIG. 12 is a view of a second end thereof;
FIG. 13 is a top view thereof;
FIG. 14 is a bottom view thereof;
FIG. 15 is a side view of a first side thereof; and,
FIG. 16 is a side view of a second side thereof.

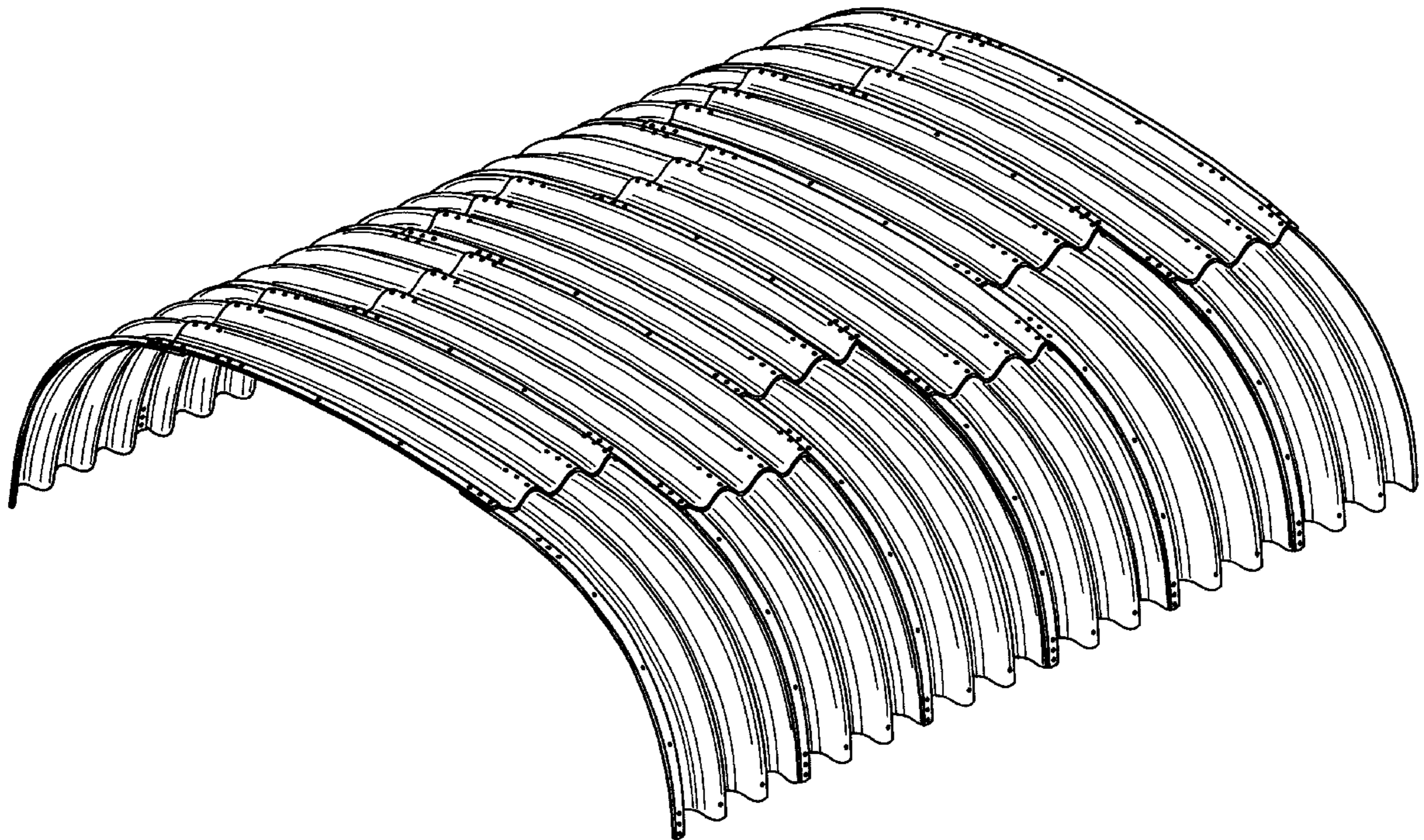
(56) **References Cited**

U.S. PATENT DOCUMENTS

- 3,824,664 A 7/1974 Seeff
- 5,252,002 A * 10/1993 Day 405/126
- 5,326,191 A 7/1994 Wilson et al.
- 5,375,943 A 12/1994 McCavour et al.
- D406,364 S * 3/1999 Robert et al. D25/199
- 2002/0132130 A1 9/2002 Schluter

* cited by examiner

1 Claim, 11 Drawing Sheets



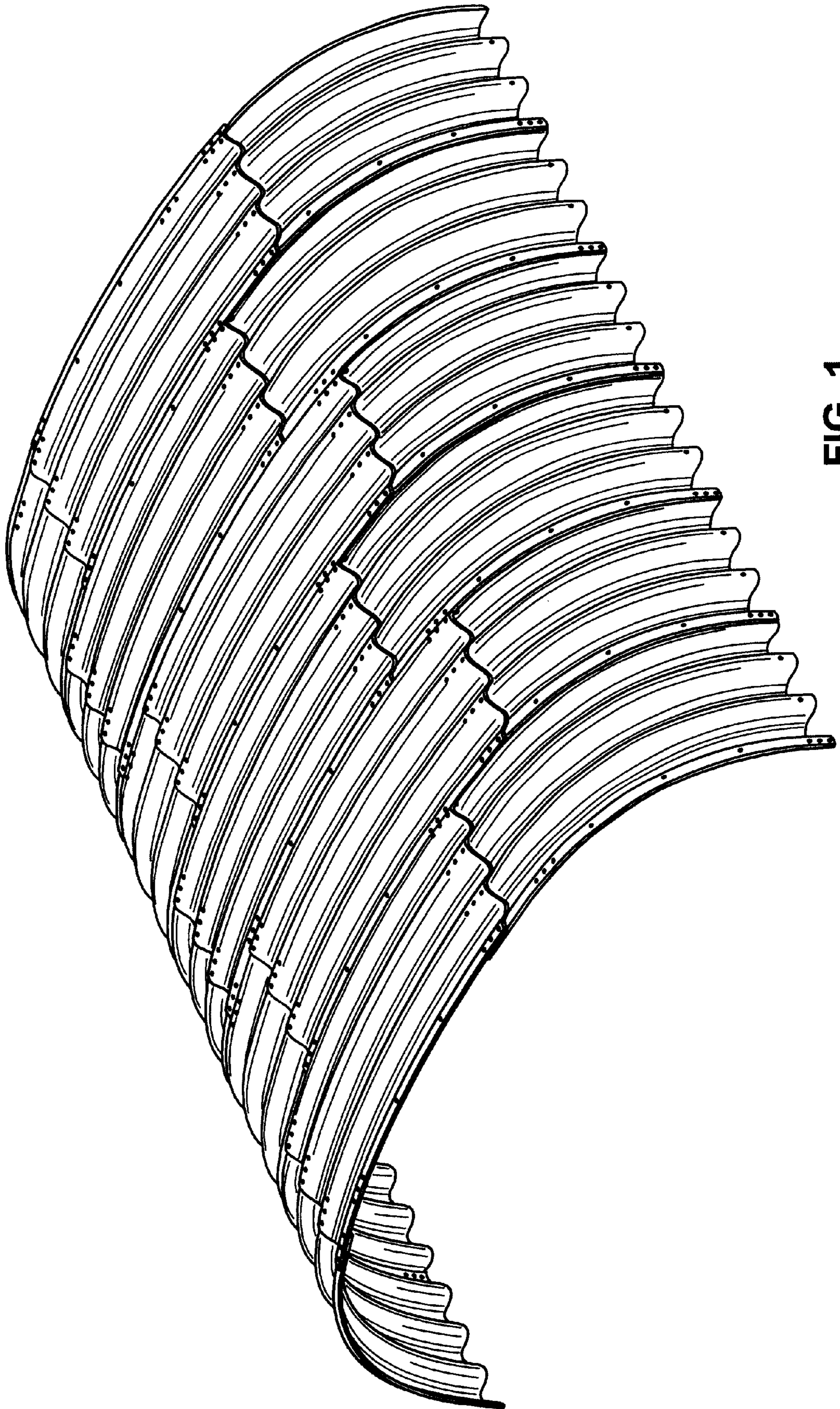


FIG. 1

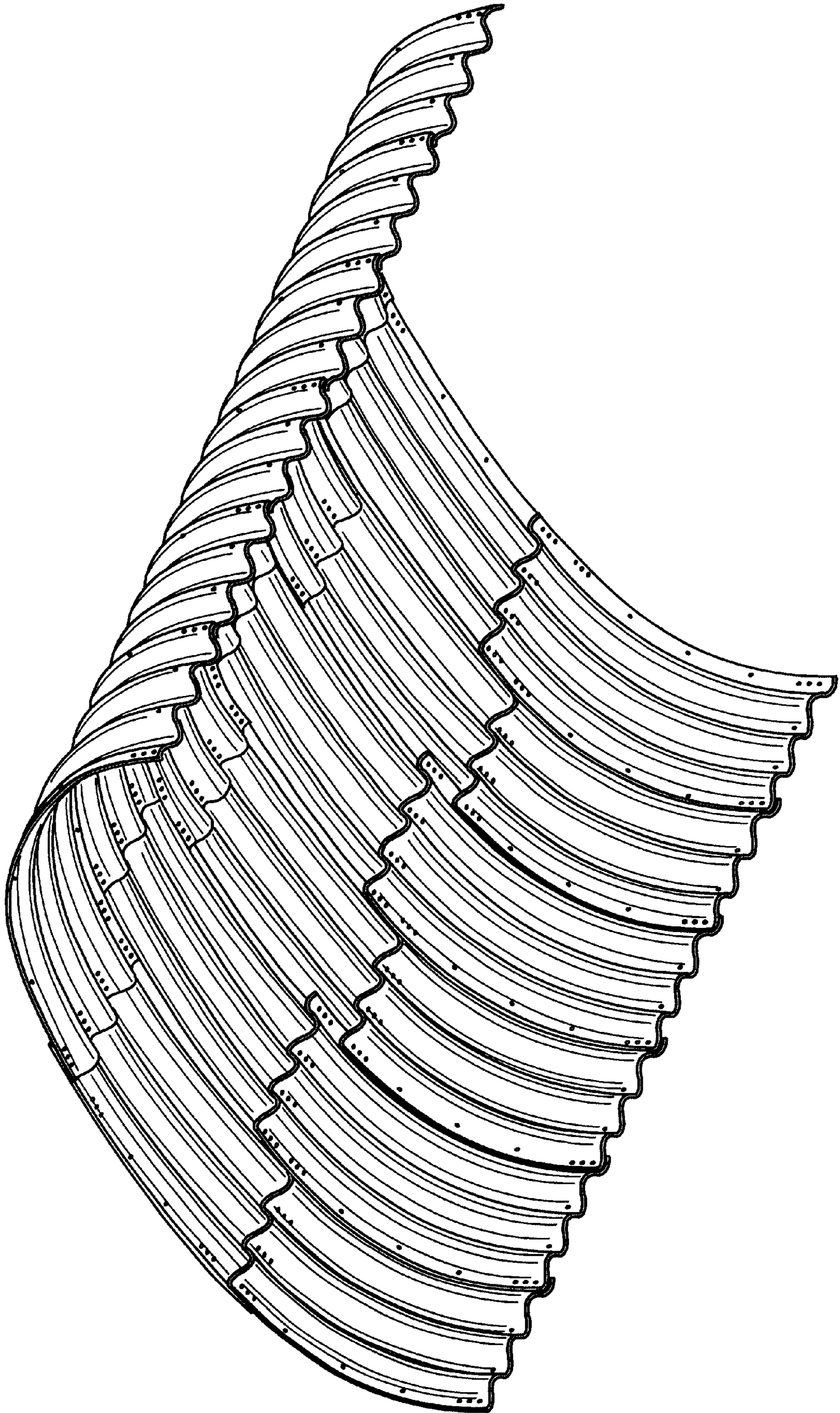


FIG. 2

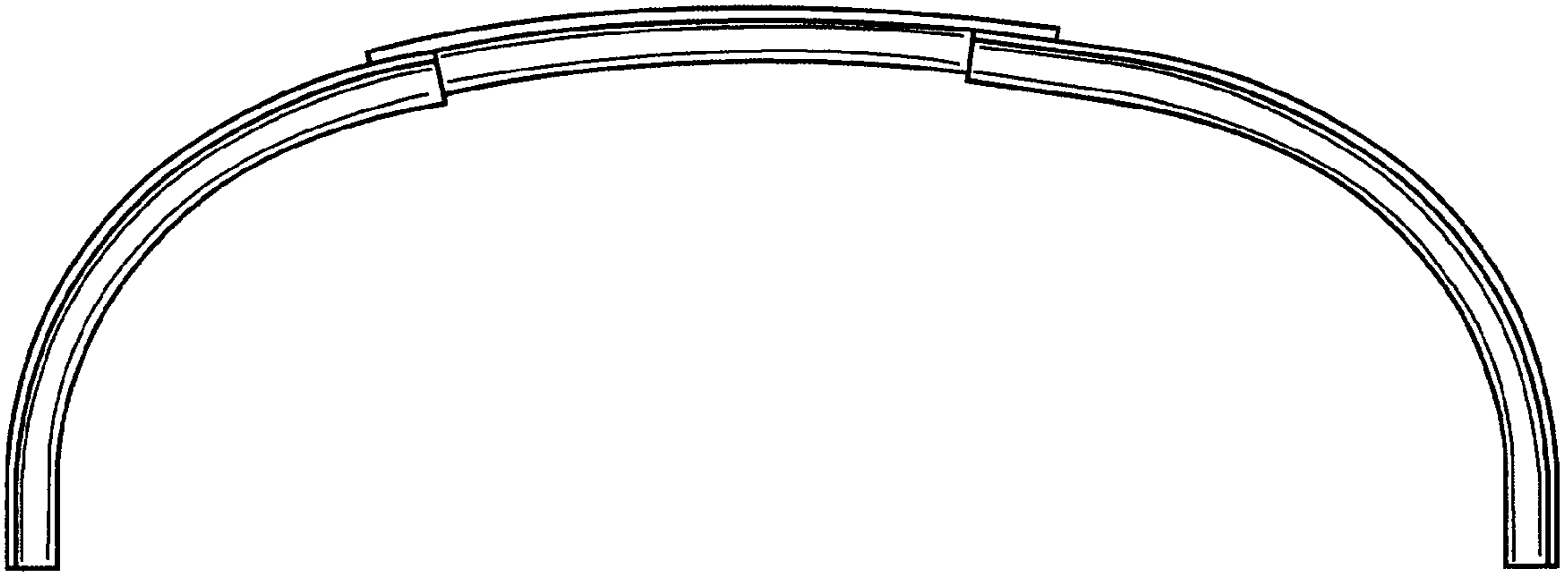


FIG. 3

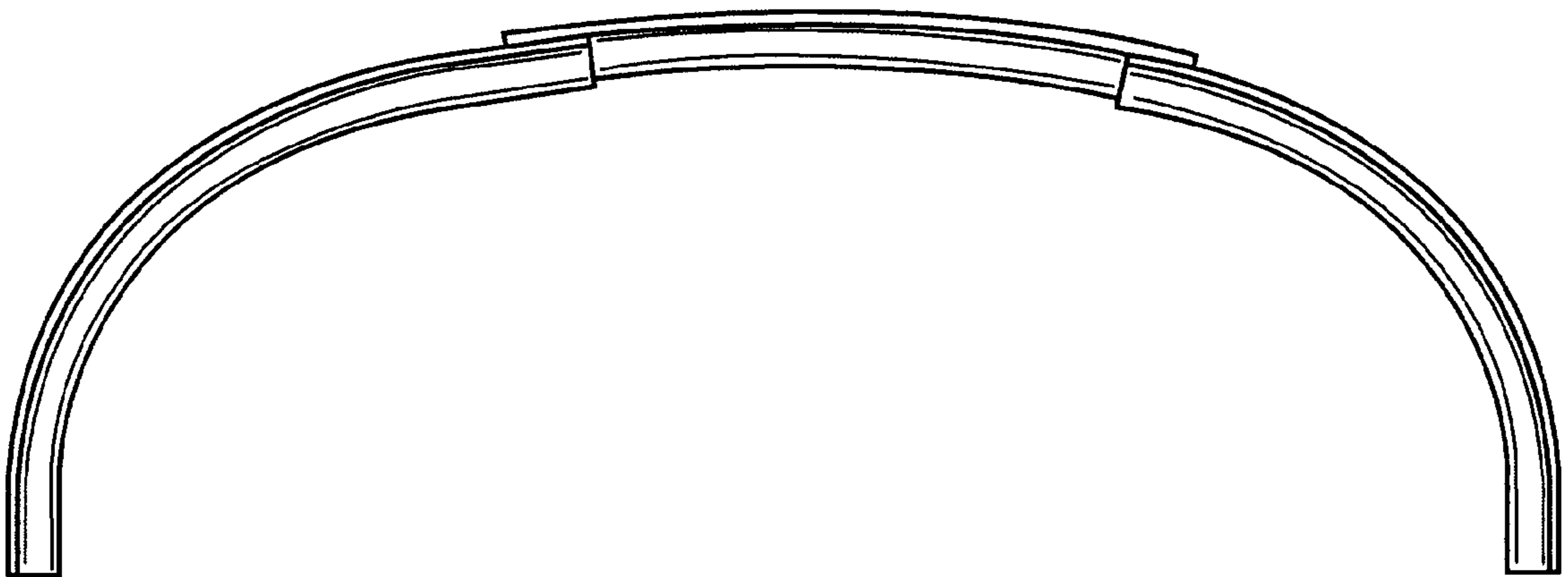


FIG. 4

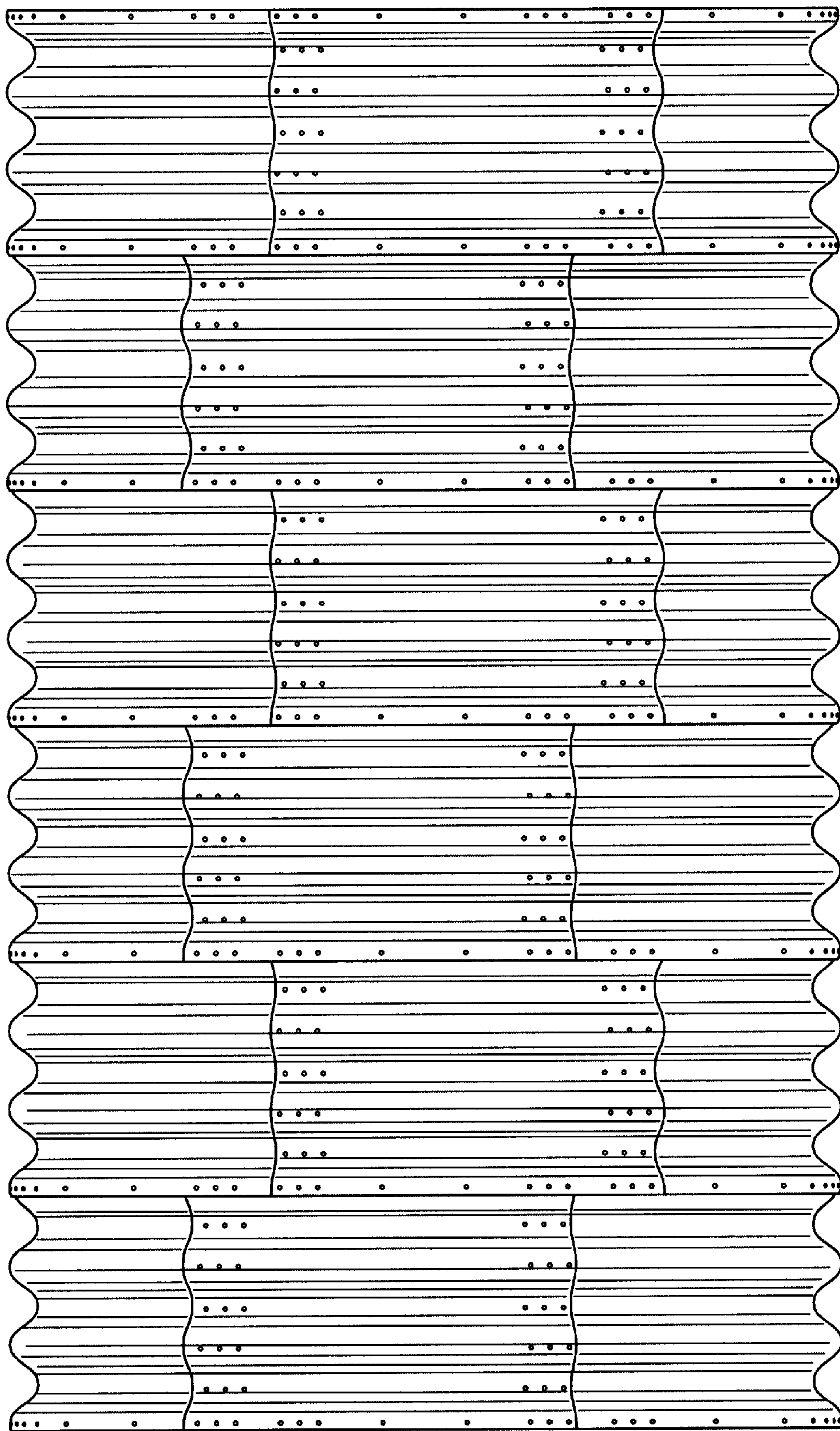


FIG. 5

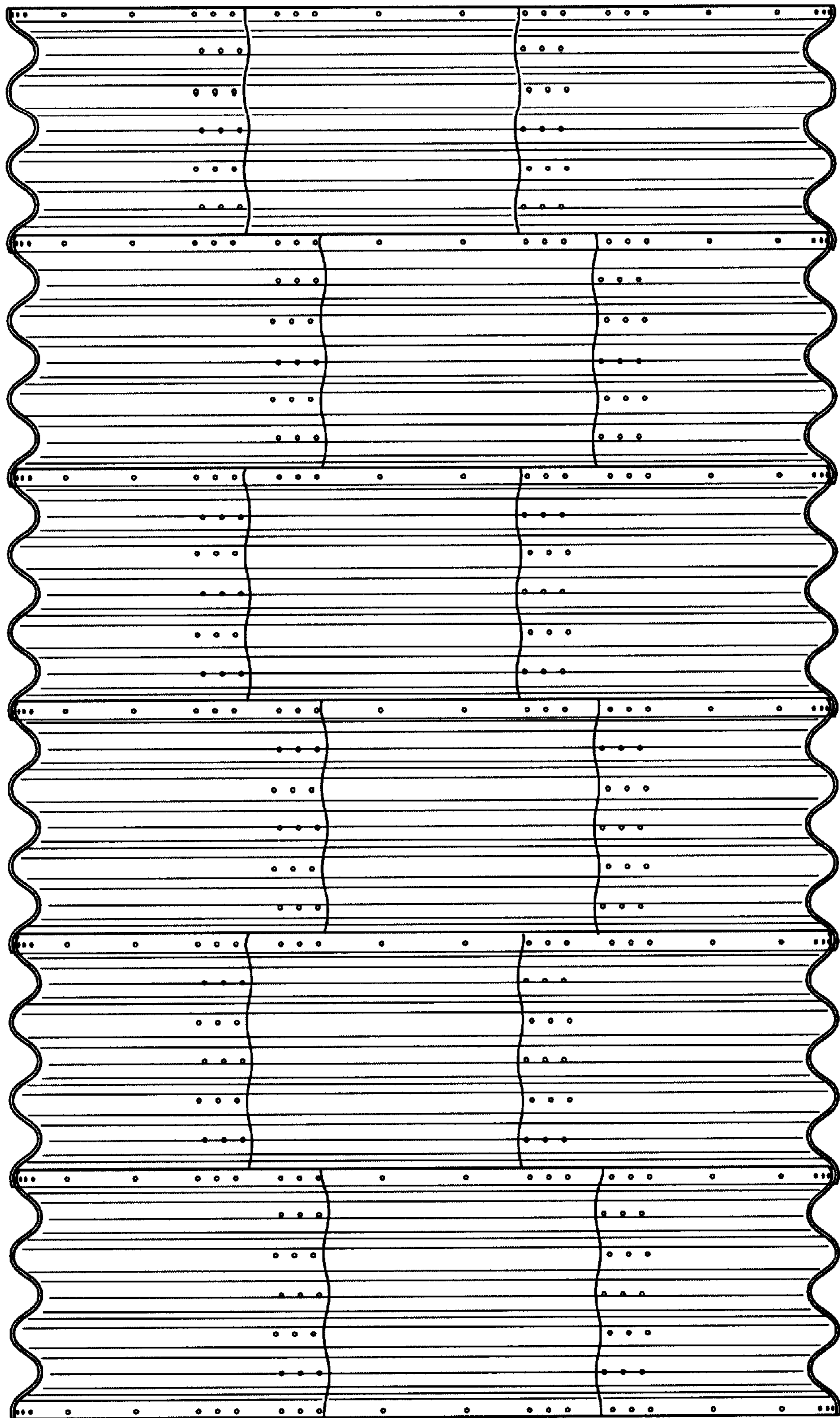


FIG. 6

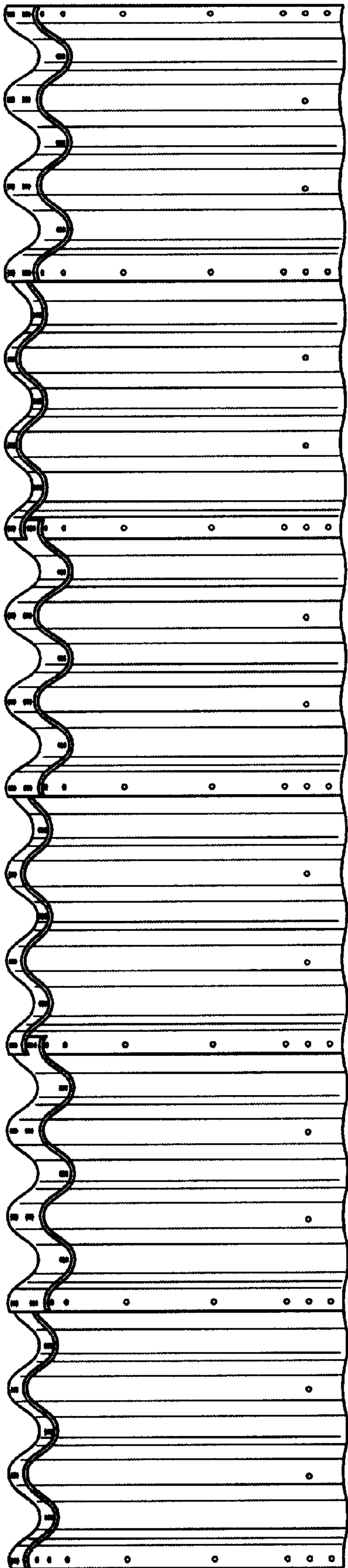


FIG. 7

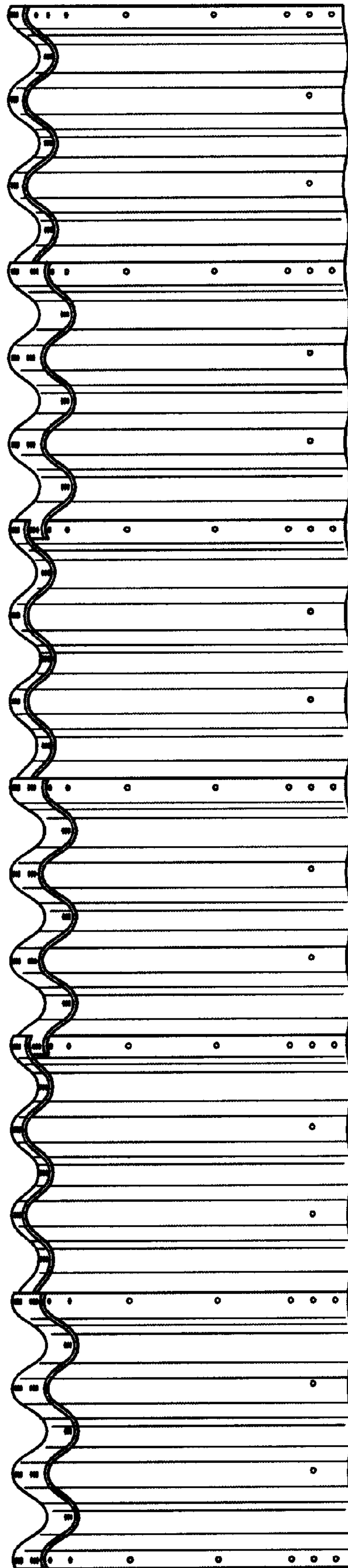


FIG. 8

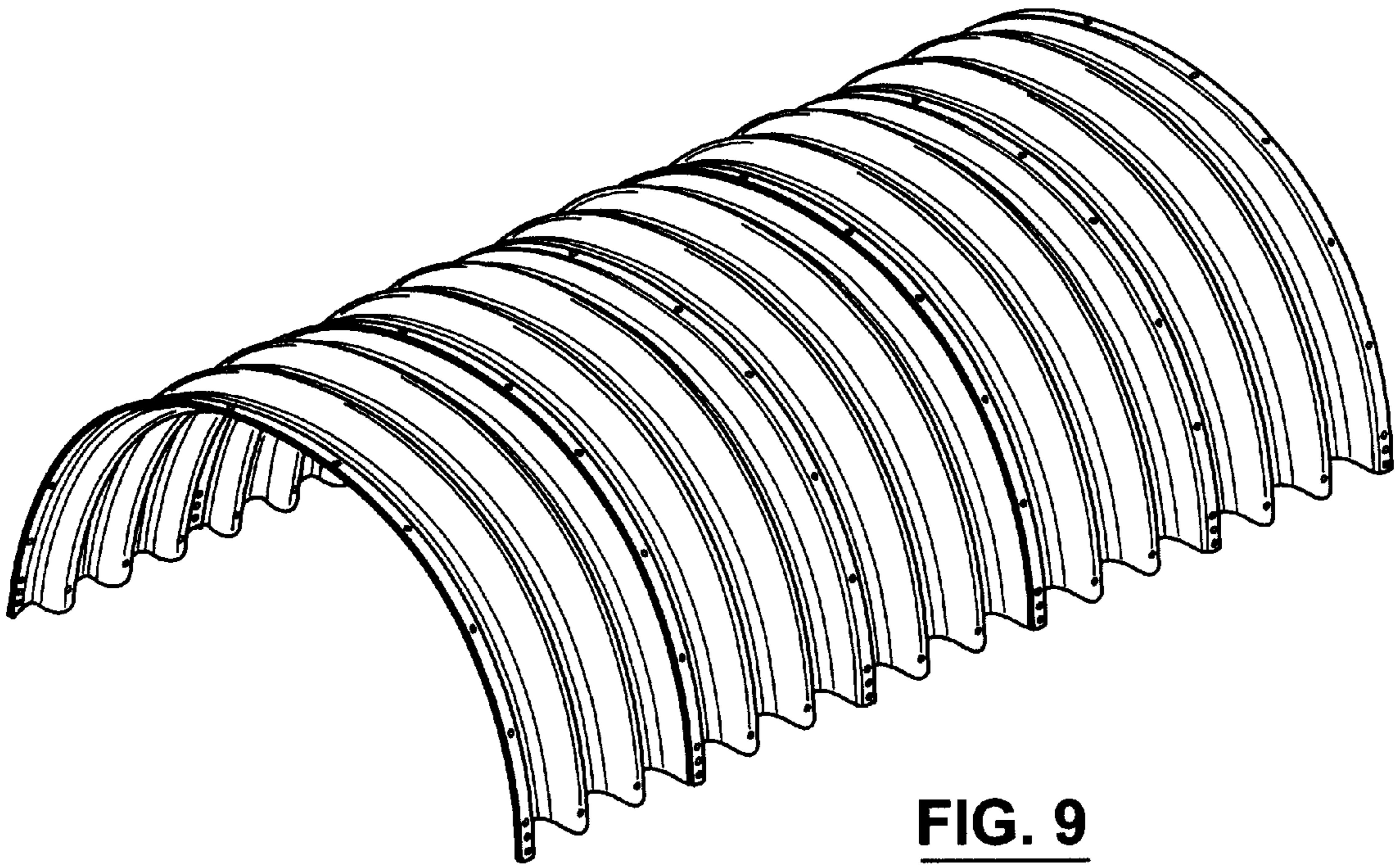


FIG. 9

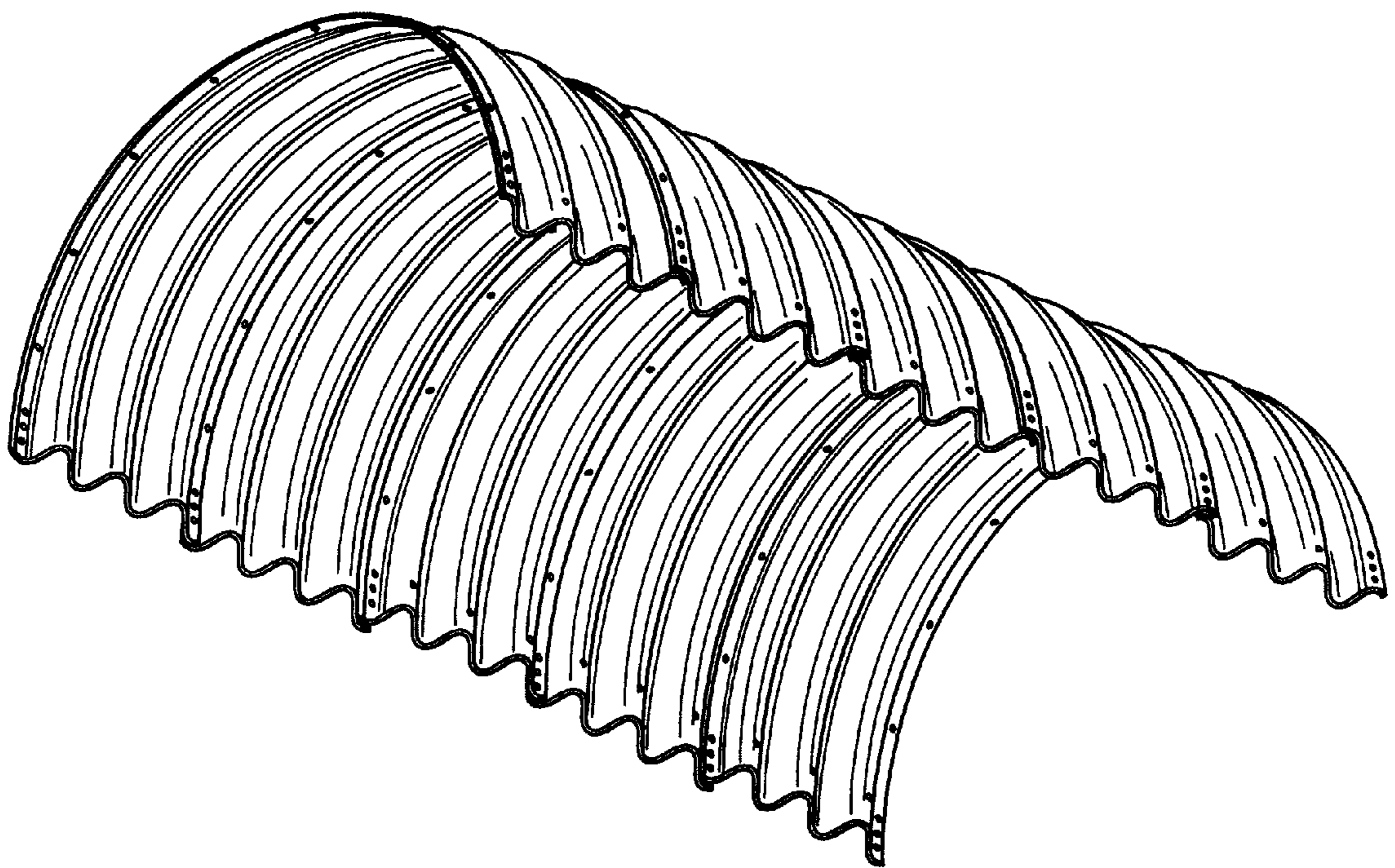


FIG. 10

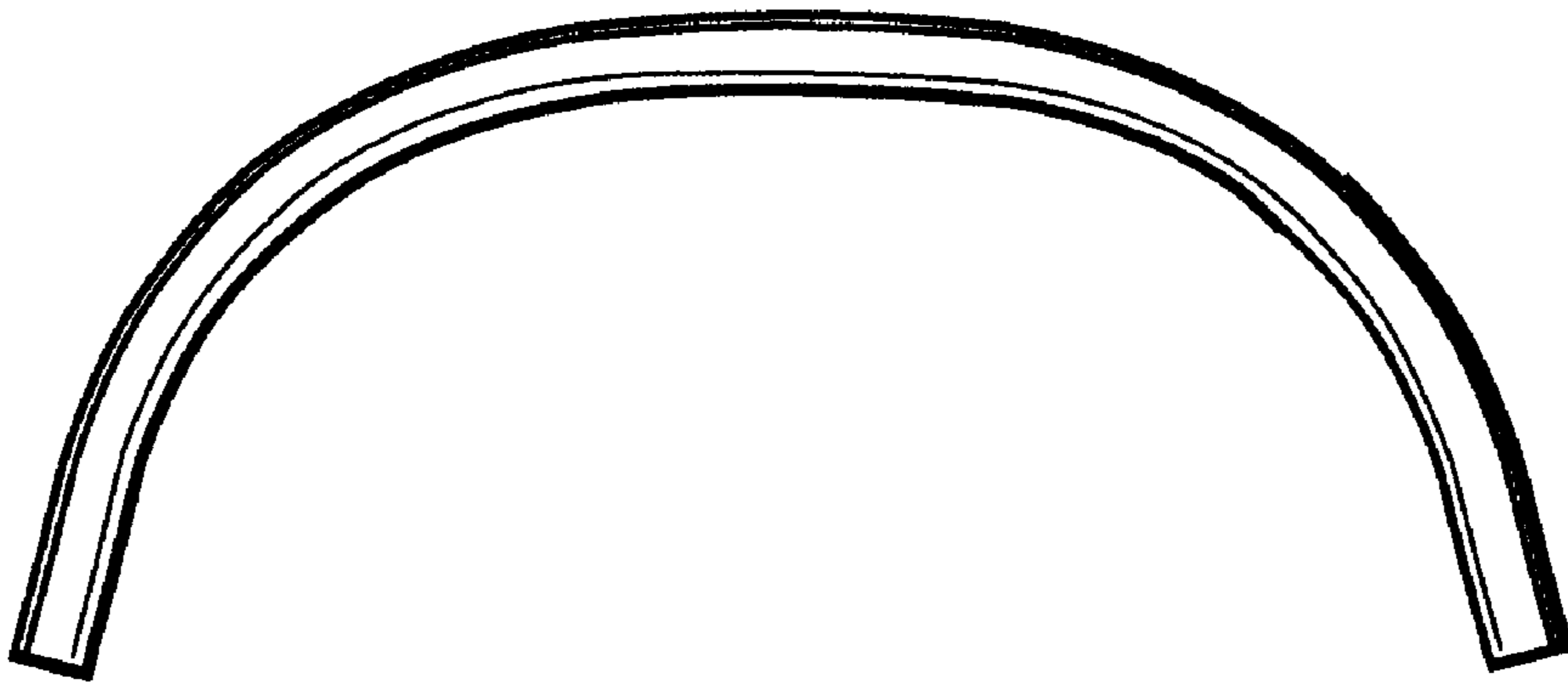


FIG. 11

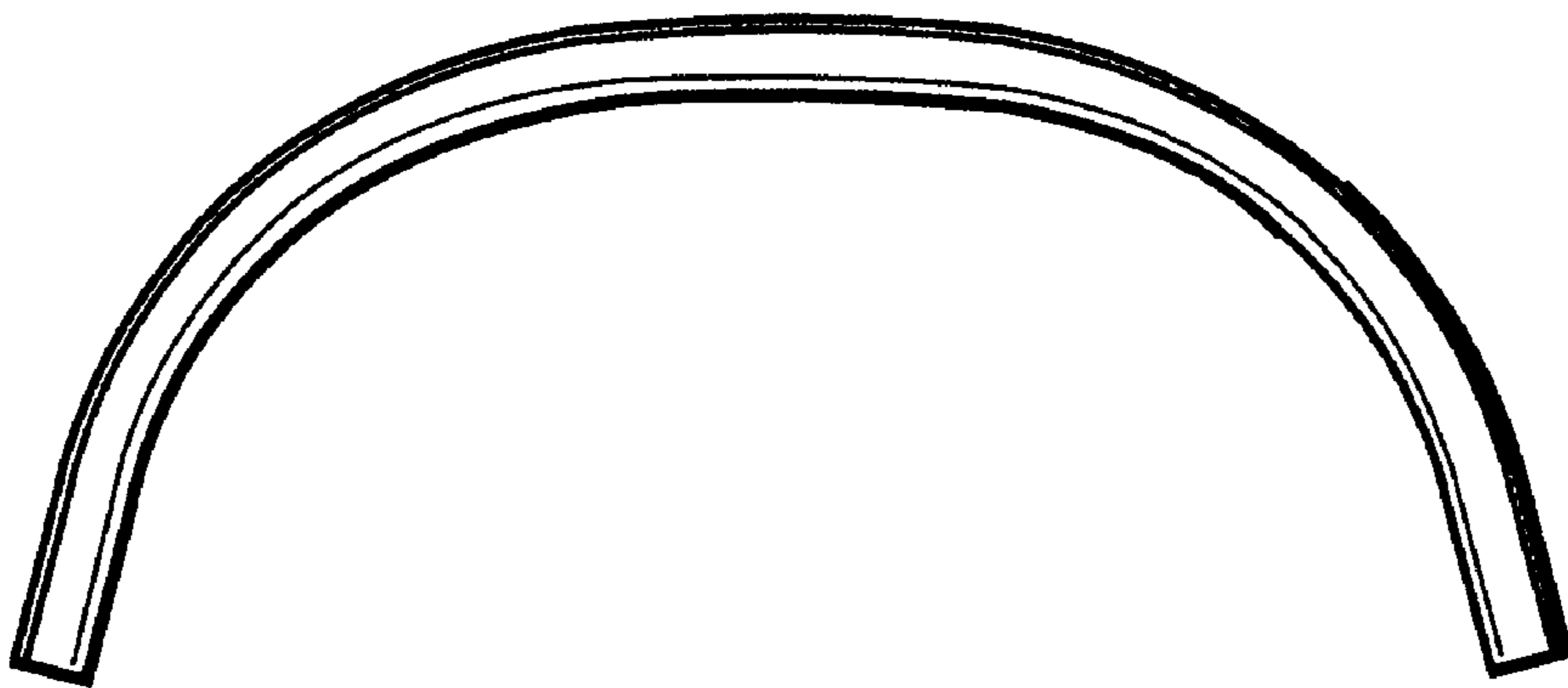


FIG. 12

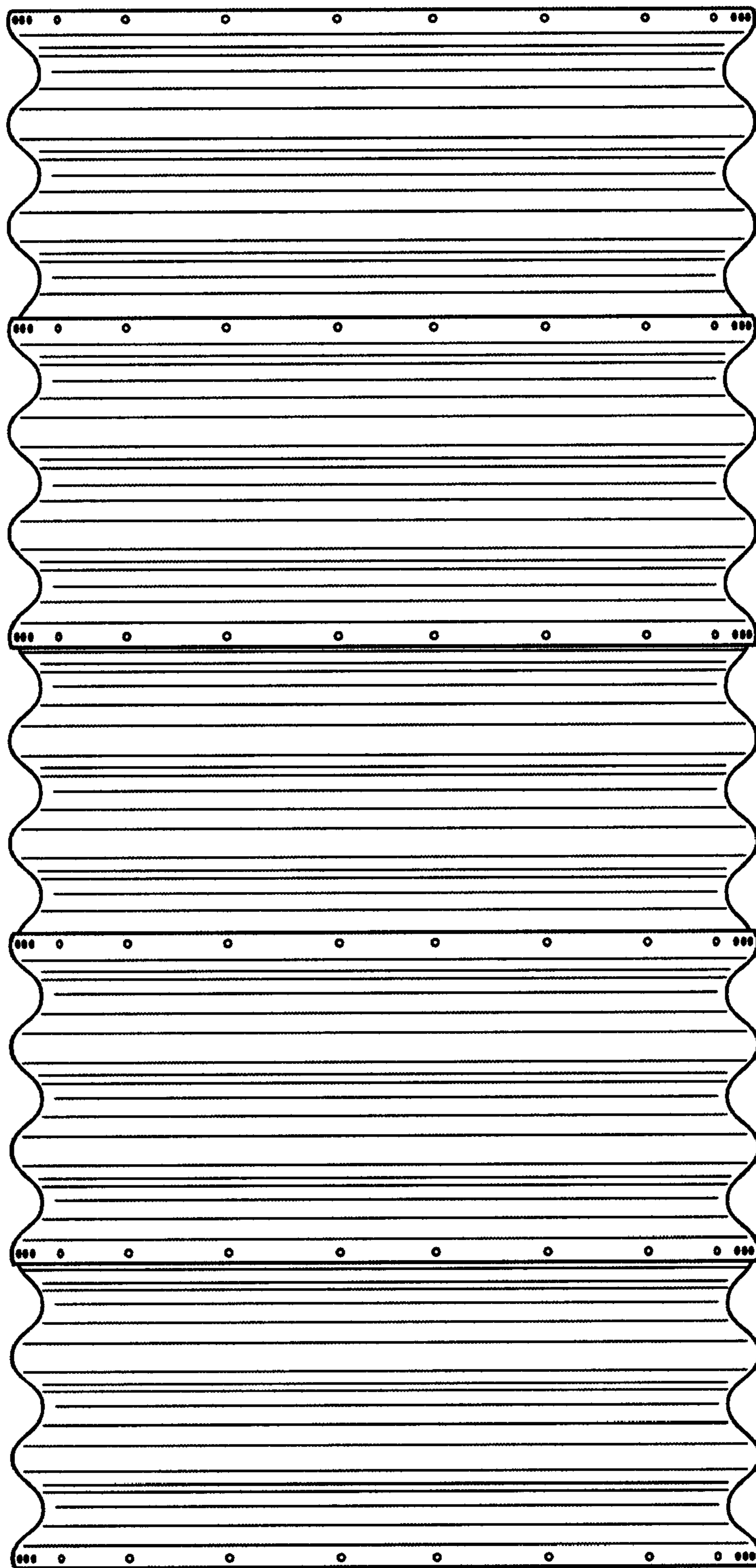


FIG. 13

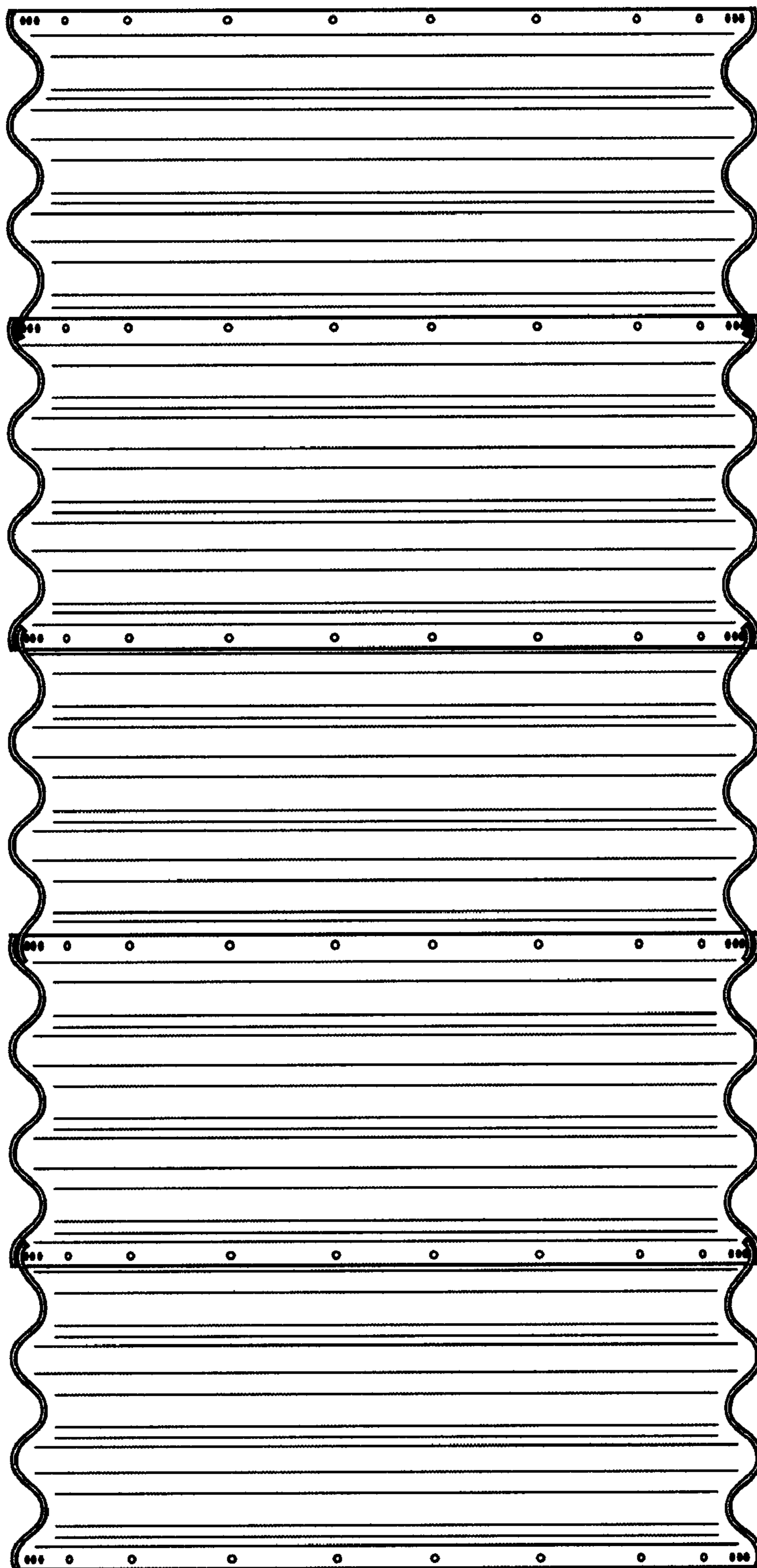


FIG. 14

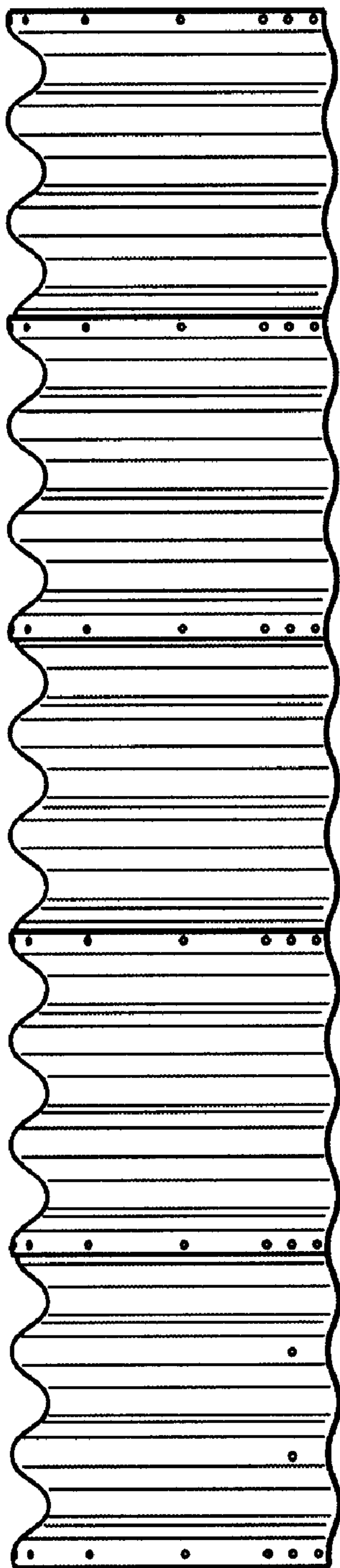


FIG. 15

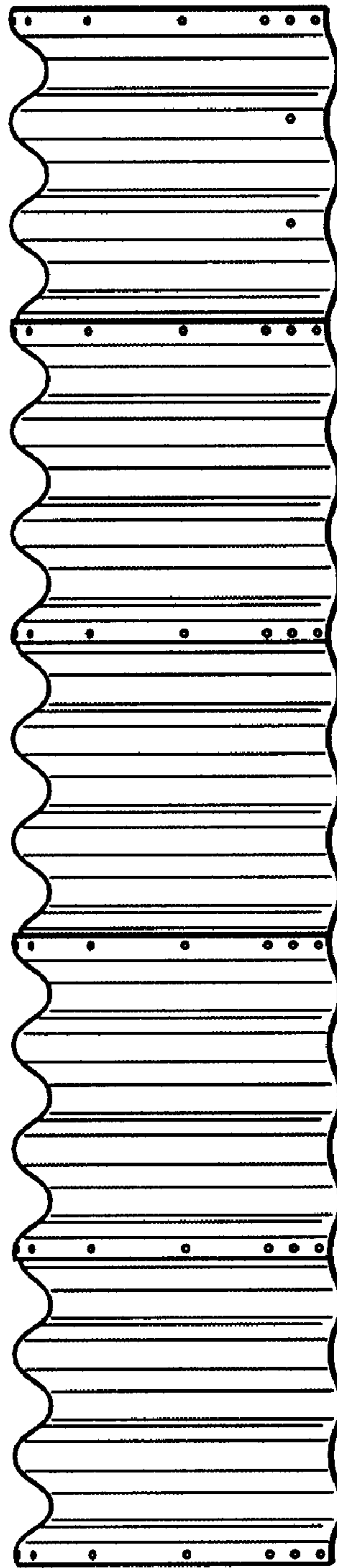


FIG. 16