



US00D484599S

(12) **United States Design Patent**
Kellar

(10) **Patent No.:** **US D484,599 S**

(45) **Date of Patent:** **** Dec. 30, 2003**

(54) **POLYCLEAN DIALYSIS STATION**

(76) Inventor: **William Kellar**, 61 Mulberry Ct.,
Morgan Hill, CA (US) 95037

(**) Term: **14 Years**

(21) Appl. No.: **29/154,475**

(22) Filed: **Jan. 25, 2002**

(51) **LOC (7) Cl.** **24-01**

(52) **U.S. Cl.** **D24/169**

(58) **Field of Search** D24/169; 604/28,
604/29; 210/645, 646, 321.65, 321.71

(56) **References Cited**

U.S. PATENT DOCUMENTS

| | | | | | |
|--------------|---|---------|----------------|-------|---------|
| D240,559 S | * | 7/1976 | Kawaguchi | | D24/169 |
| 4,381,003 A | * | 4/1983 | Buoncrisiani | | 604/29 |
| D308,249 S | * | 5/1990 | Buckley | | D24/169 |
| D351,470 S | * | 10/1994 | Scherer et al. | | D24/169 |
| 5,634,896 A | * | 6/1997 | Bryant et al. | | 604/29 |
| 6,581,627 B2 | * | 6/2003 | Dillon | | 137/360 |

* cited by examiner

Primary Examiner—Stella Reid

(74) *Attorney, Agent, or Firm*—William W. Burns, Esq.

(57) **CLAIM**

The ornamental design for a polyclean dialysis station, as shown and described.

DESCRIPTION

FIG. 1 is a front perspective view of a polyclean dialysis station, showing my new design.

FIG. 2 is a front perspective view thereof, in slightly tilted position.

FIG. 3 is a rear perspective view thereof, with the cover removed.

FIG. 4 is a rear perspective view thereof, in use condition, the broken line showing of the plumbing being for illustrative purposes only and forming no part of the claimed design.

FIG. 5 is a front elevational view thereof.

FIG. 6 is a rear elevational view thereof.

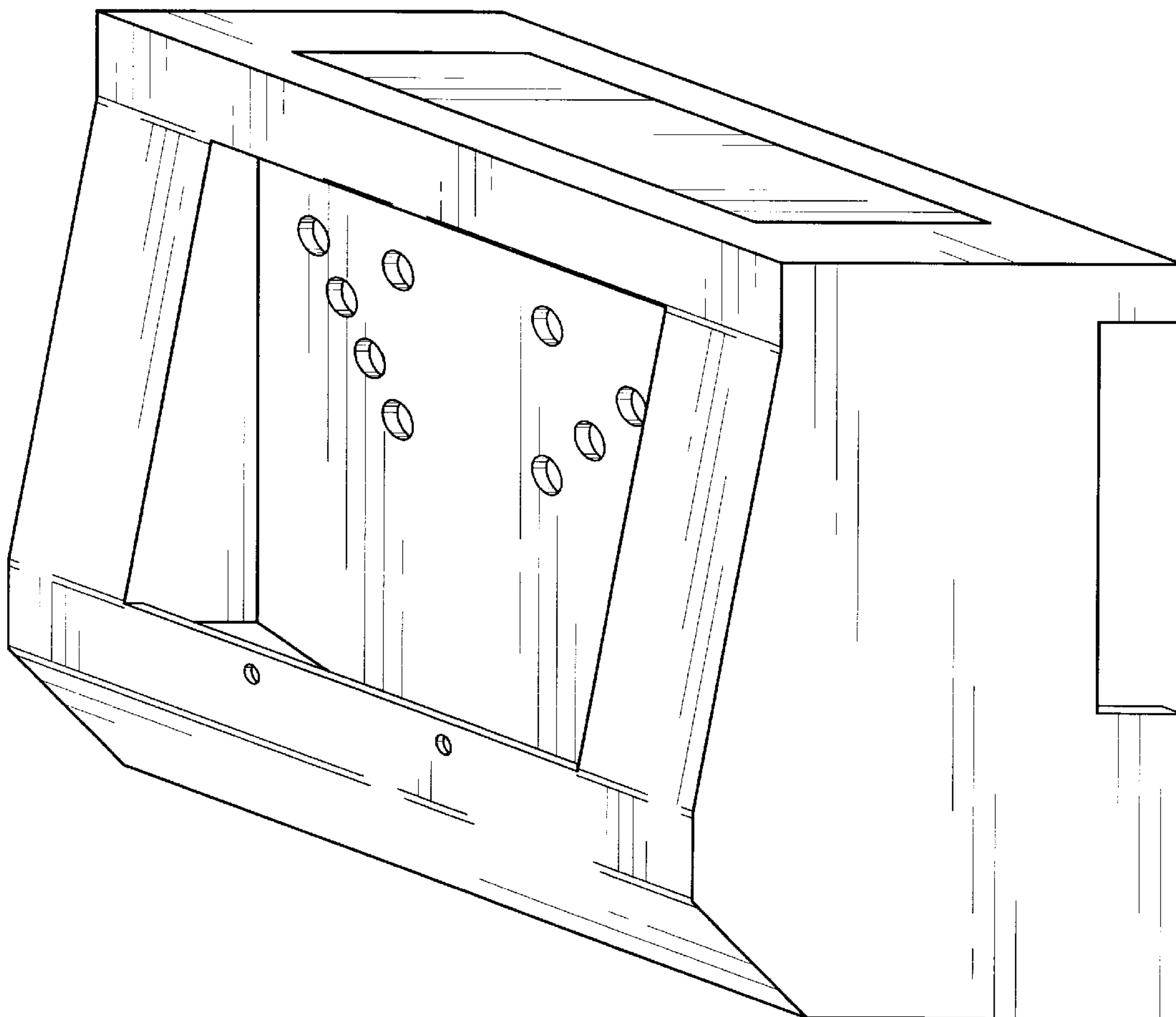
FIG. 7 is a top plan view thereof.

FIG. 8 is a bottom plan view thereof.

FIG. 9 is a left side elevational view thereof; and,

FIG. 10 is a right side elevational view thereof.

1 Claim, 9 Drawing Sheets



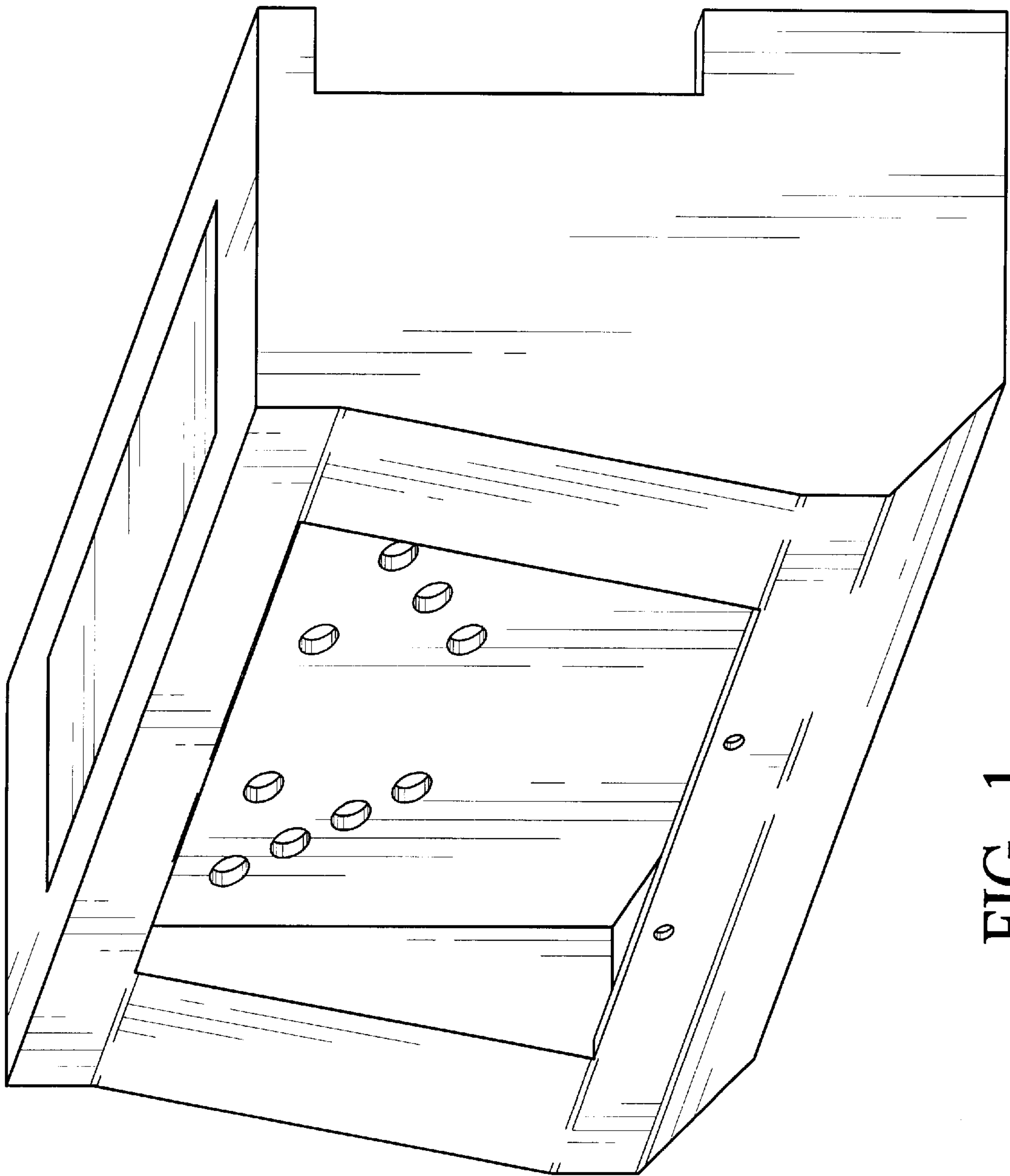


FIG. 1

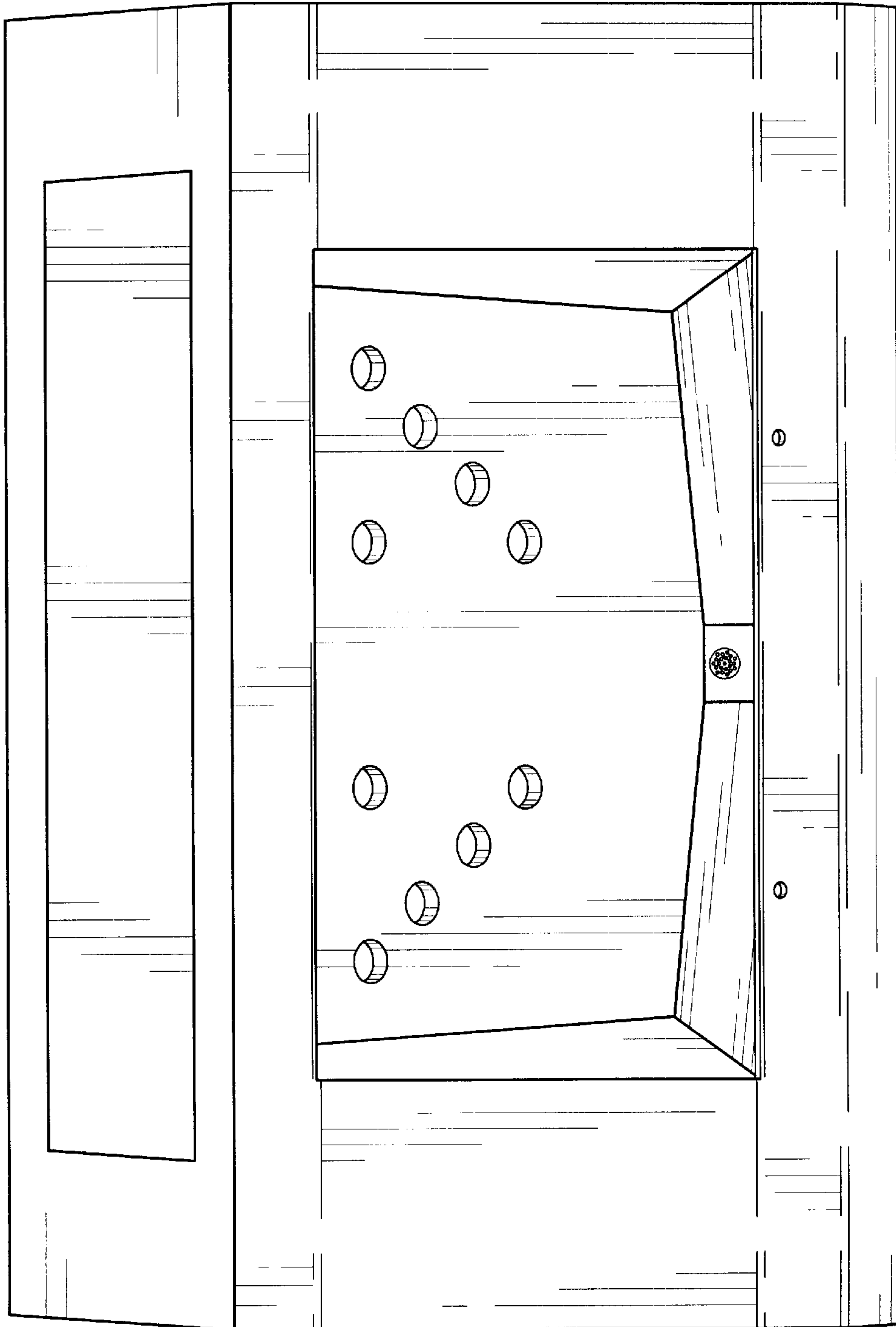


FIG. 2

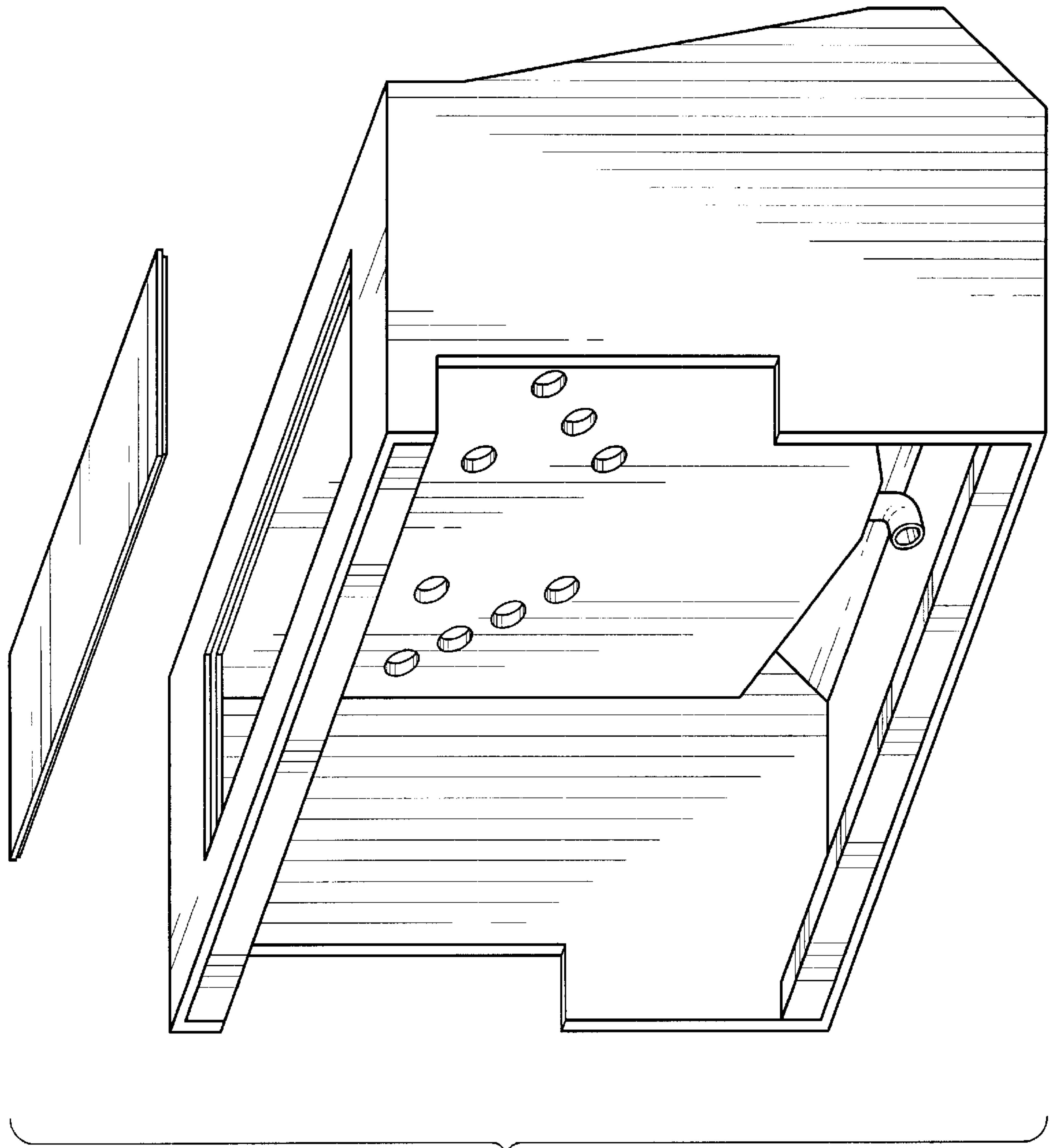


FIG. 3

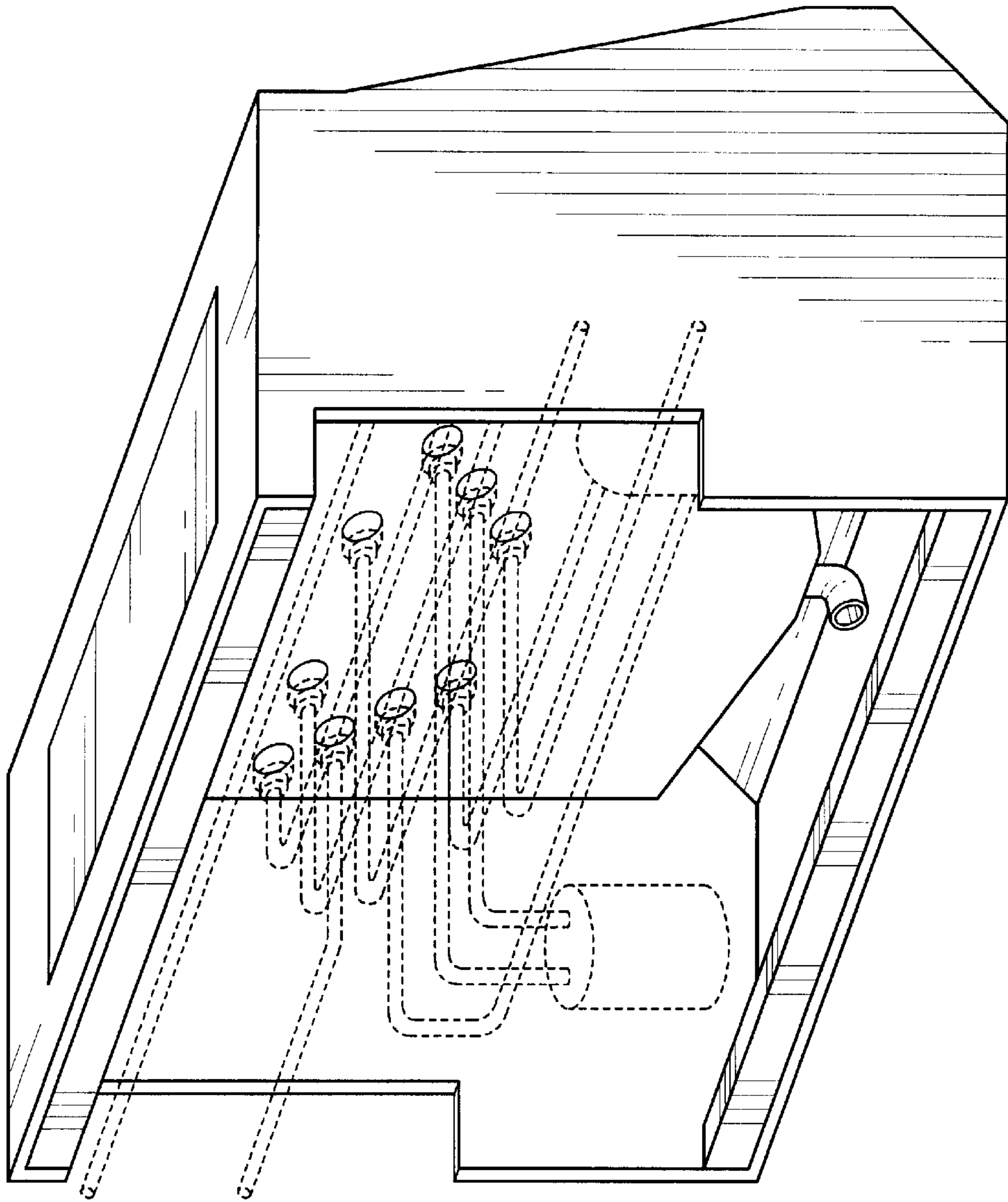


FIG. 4

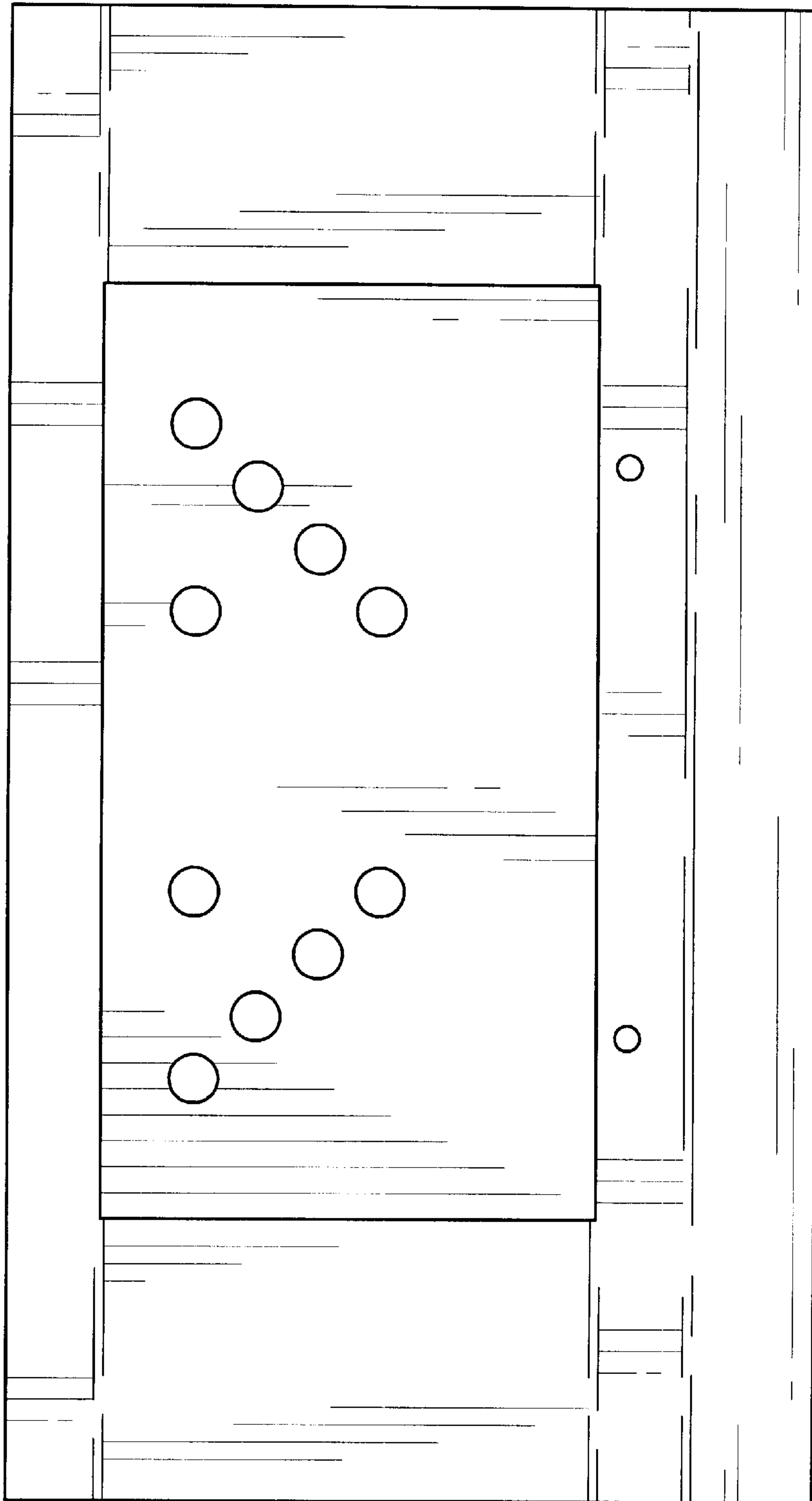


FIG. 5

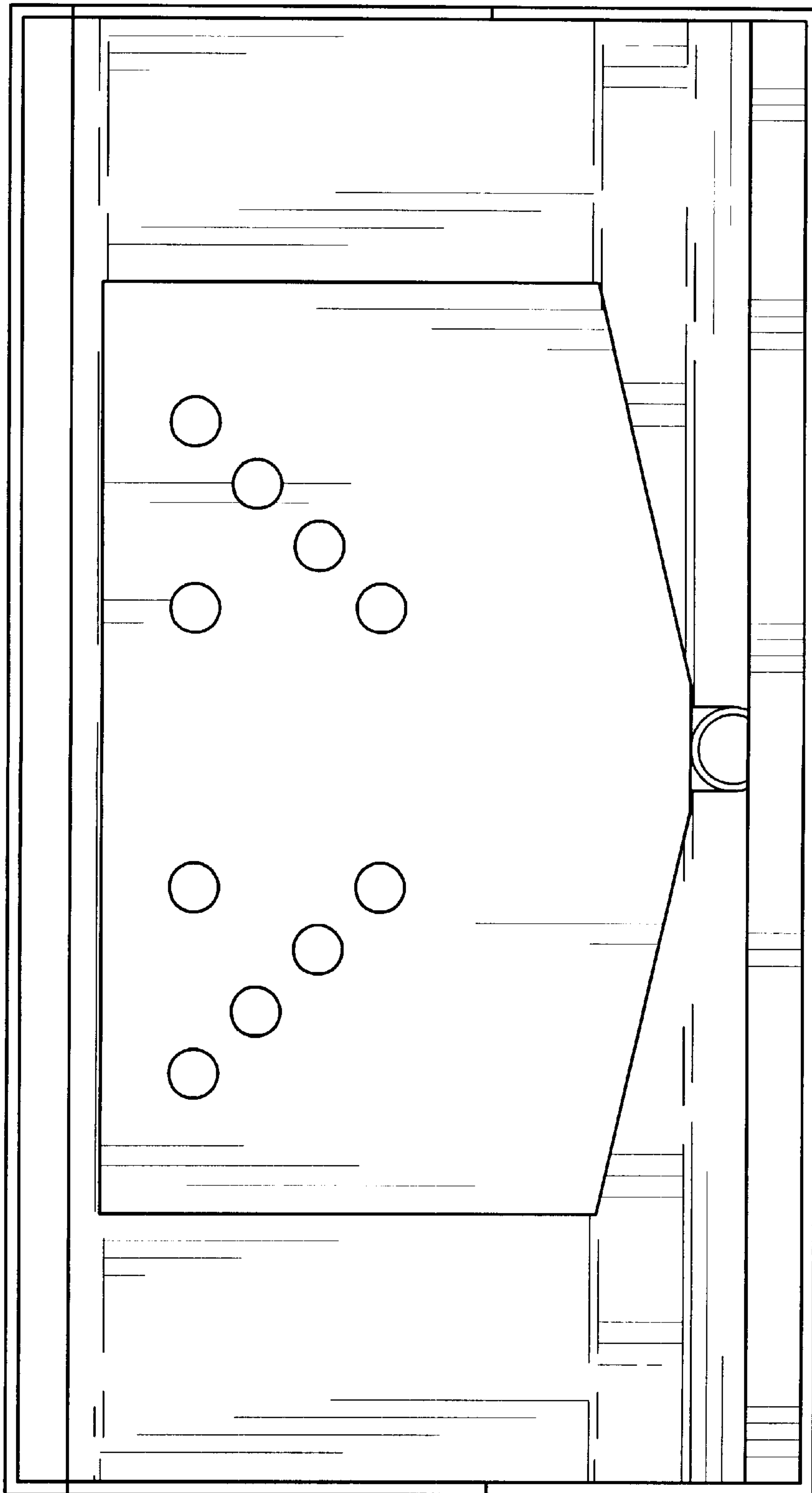


FIG. 6

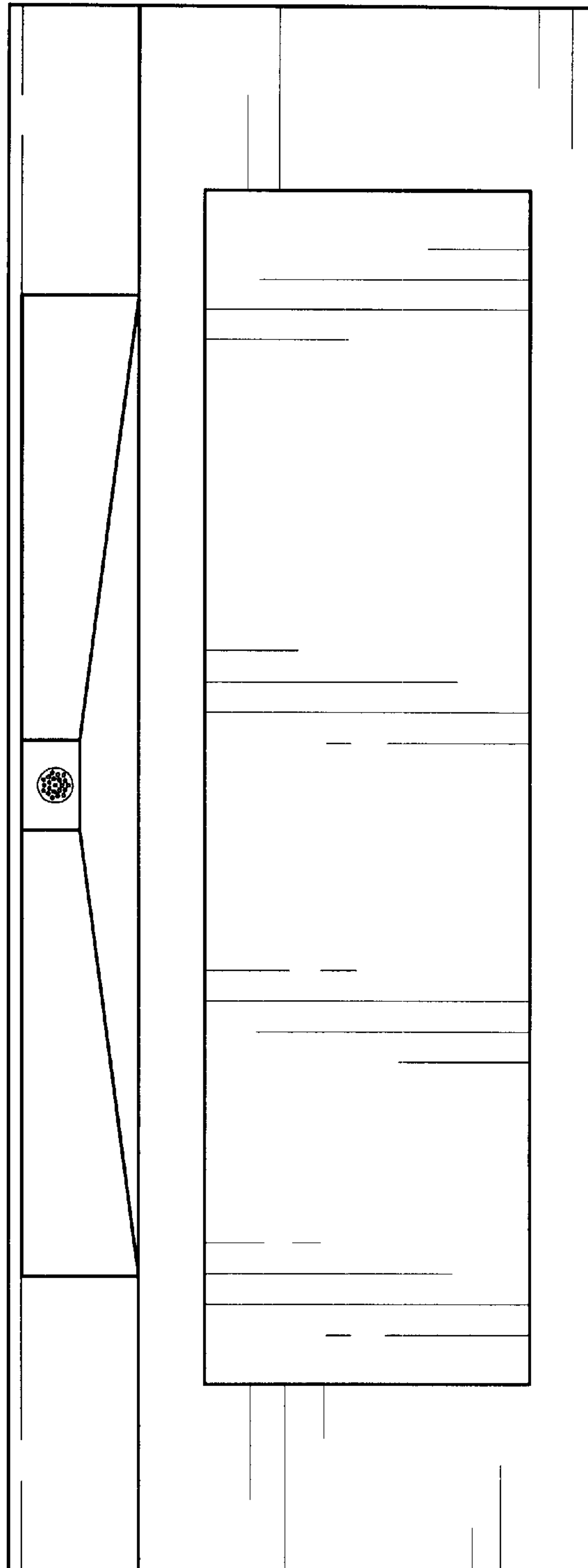


FIG. 7

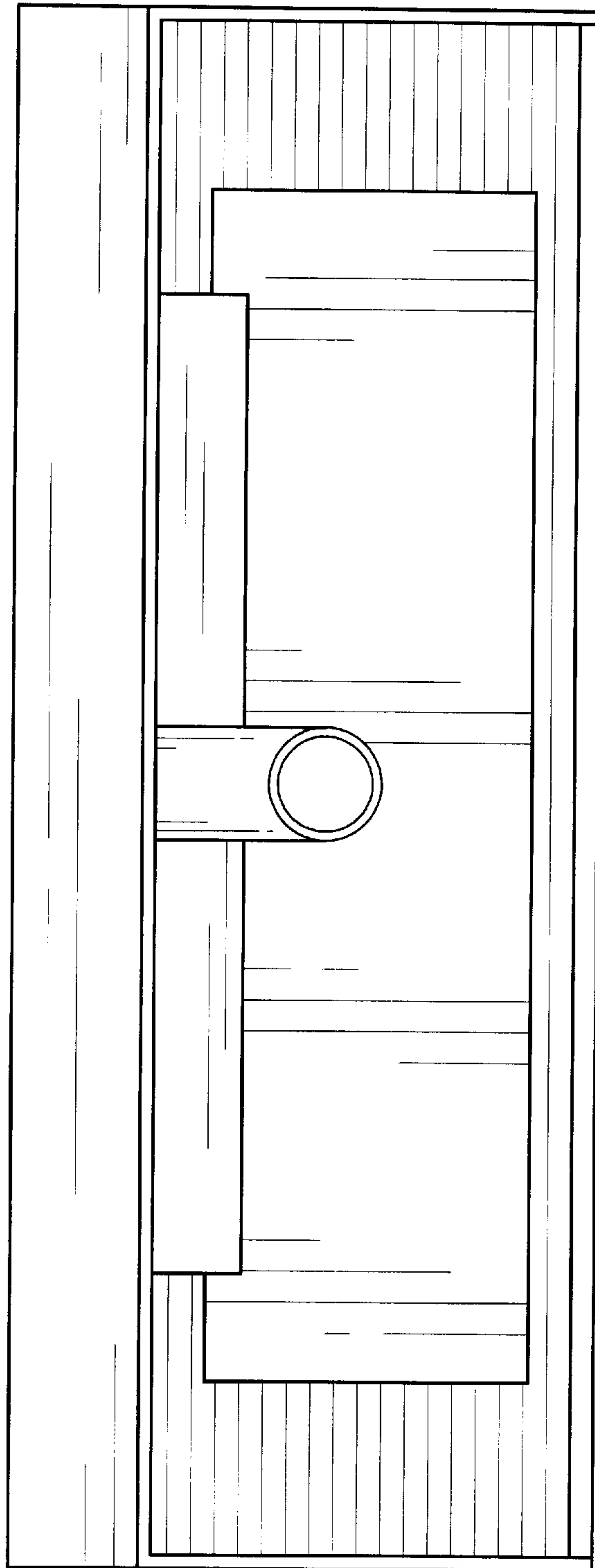


FIG. 8



FIG. 9

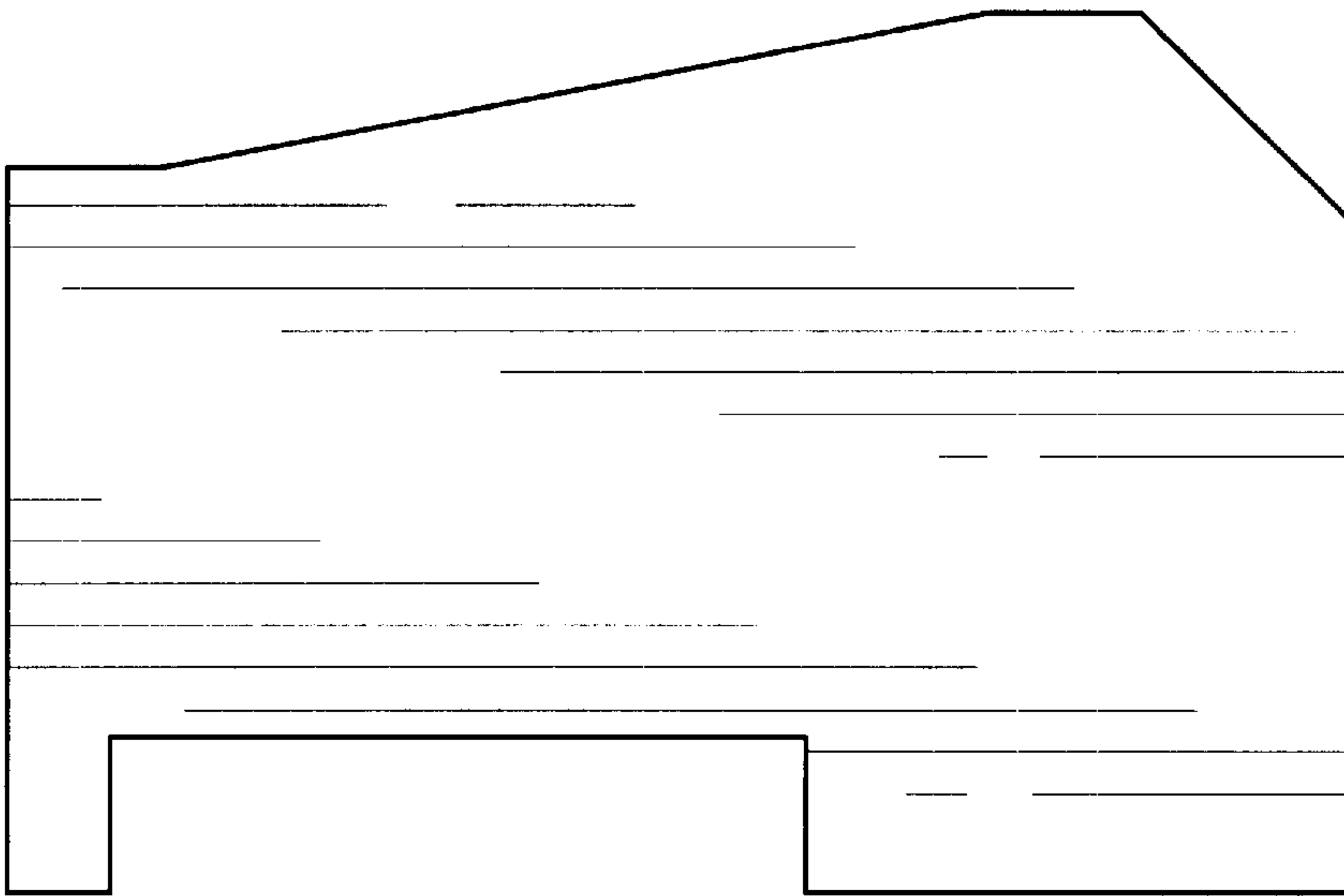


FIG. 10