



US00D484597S

(12) **United States Design Patent**  
**Koros et al.**

(10) **Patent No.: US D484,597 S**

(45) **Date of Patent: \*\* Dec. 30, 2003**

(54) **TISSUE GRASPER RONGEUR INSTRUMENT**

(76) Inventors: **Tibor B. Koros**, 610 Flinn Ave.,  
Moorpark, CA (US) 93021; **Gabriel J.  
Koros**, 610 Flinn Ave., Moorpark, CA  
(US) 93021

(\*\*) Term: **14 Years**

(21) Appl. No.: **29/167,774**

(22) Filed: **Sep. 23, 2002**

(51) **LOC (7) Cl. .... 24-02**

(52) **U.S. Cl. .... D24/147; D24/133; D24/143;  
D24/146**

(58) **Field of Search .... D24/143, 146,  
D24/133, 147, 170; 606/107, 205, 204,  
206, 174, 170, 184, 83, 166**

(56) **References Cited**

**U.S. PATENT DOCUMENTS**

4,955,887 A \* 9/1990 Zirm ..... 606/170  
D351,653 S \* 10/1994 Koros et al. .... D24/143

5,370,658 A \* 12/1994 Scheller et al. .... 606/205  
5,922,007 A \* 7/1999 Hoogeboom et al. .... 606/205  
5,928,263 A \* 7/1999 Hoogeboom ..... 606/205  
6,322,578 B1 \* 11/2001 Houle et al. .... 606/205  
D460,185 S \* 7/2002 Etter et al. .... D24/147

\* cited by examiner

*Primary Examiner*—Ian Simmons

(57) **CLAIM**

The ornamental design for a Tissue grasper rongeur instru-  
ment, substantially as shown and described.

**DESCRIPTION**

FIG. 1 is a Isometric view of tissue grasper rongeur instru-  
ment showing our new design.

FIG. 2 is a front elevational view thereof.

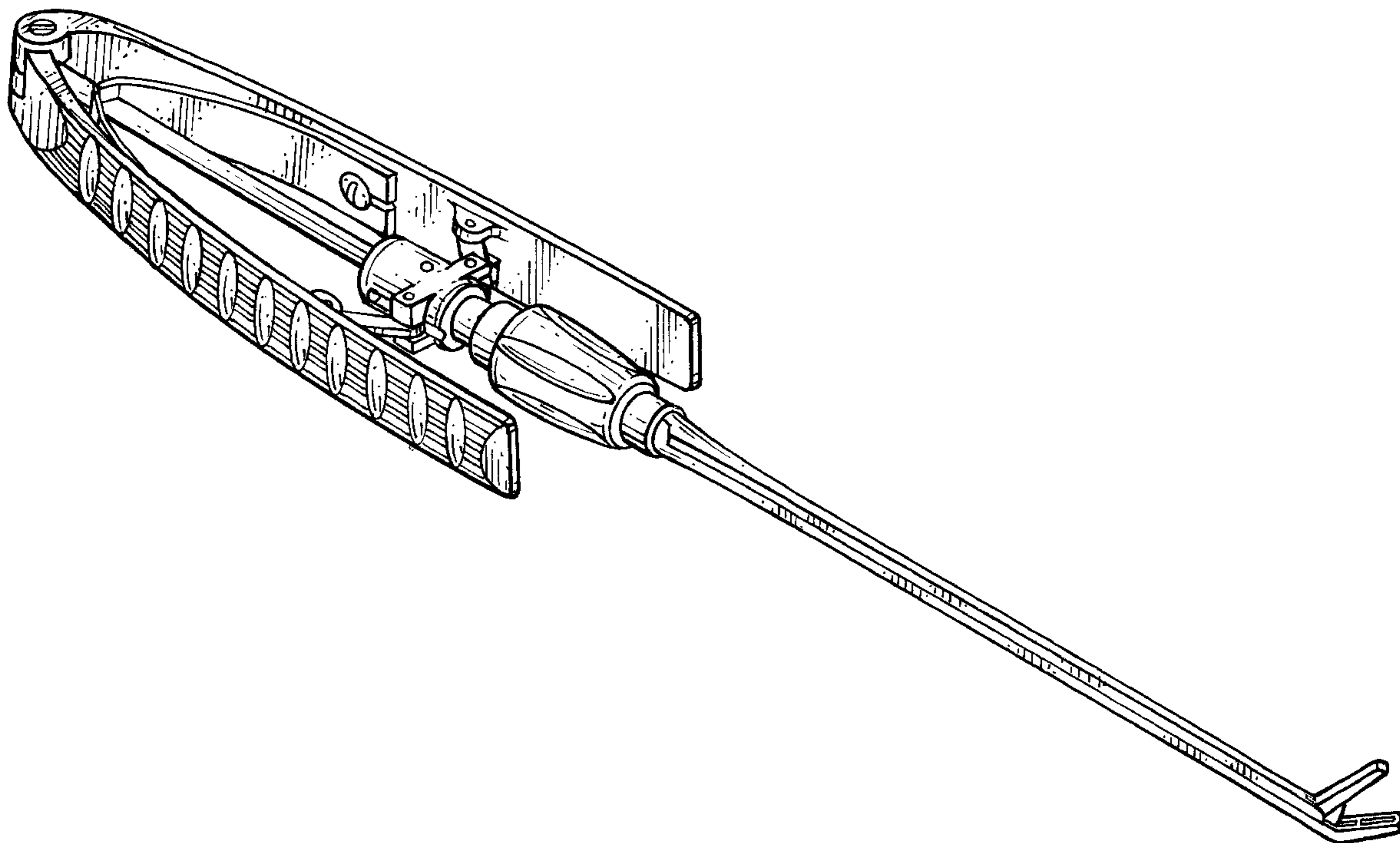
FIG. 3 is a right side elevational view thereof, the left side  
elevational view being identical thereto.

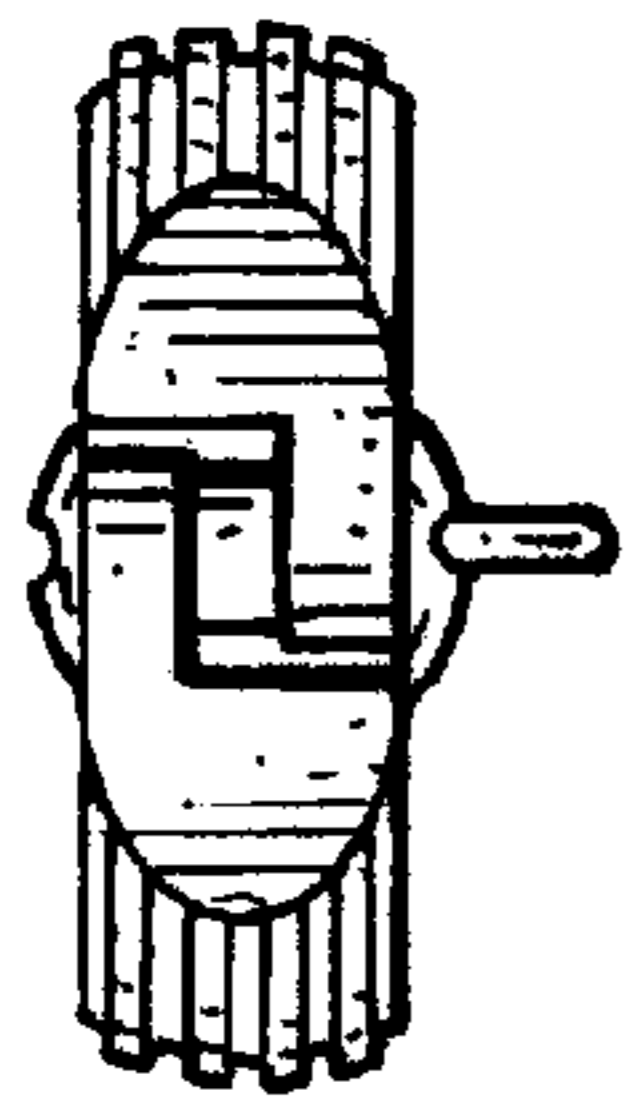
FIG. 4 is a rear elevational view thereof.

FIG. 5 is a top planview; and,

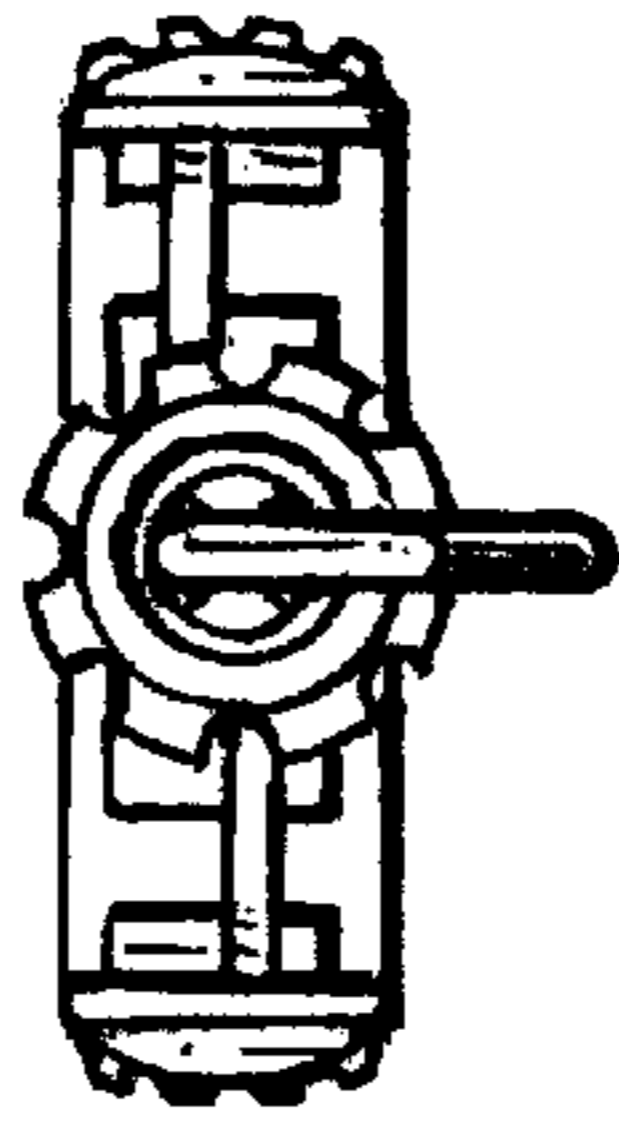
FIG. 6 is a bottom planview.

**1 Claim, 2 Drawing Sheets**

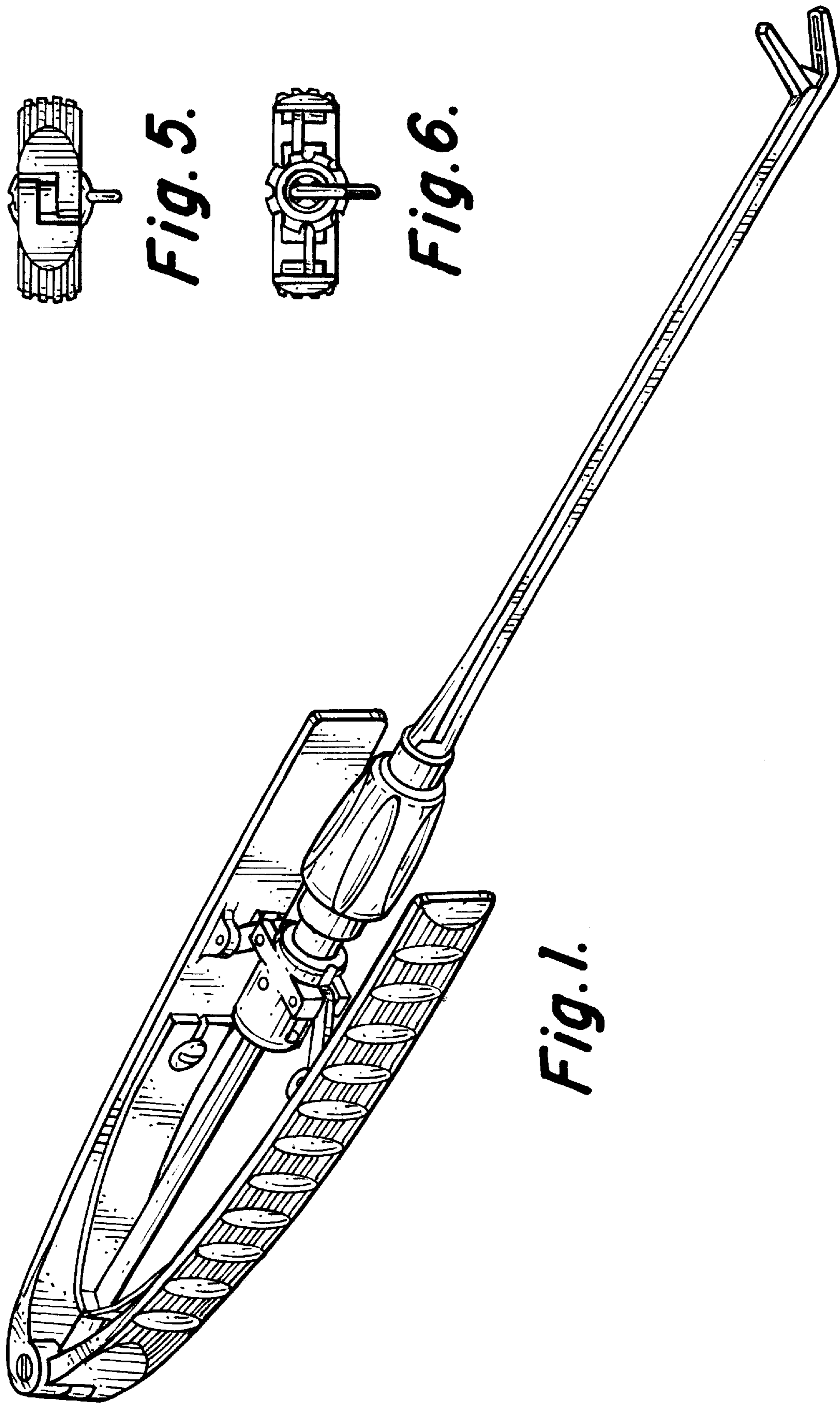




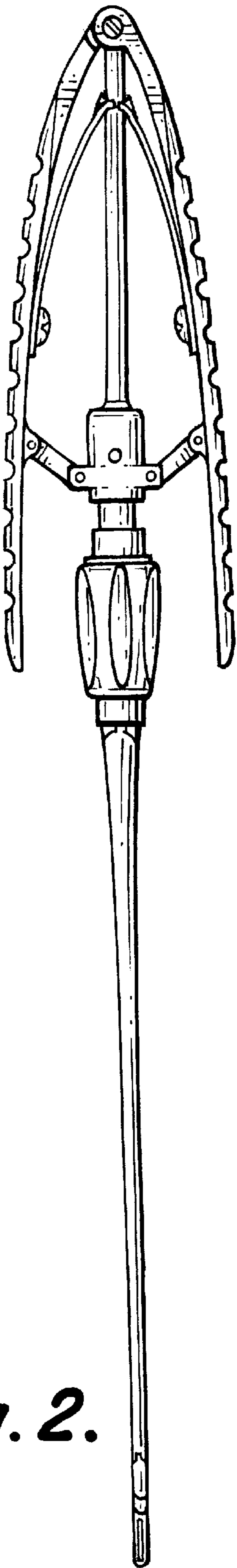
*Fig. 5.*



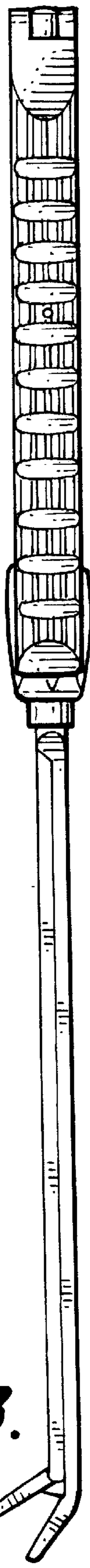
*Fig. 6.*



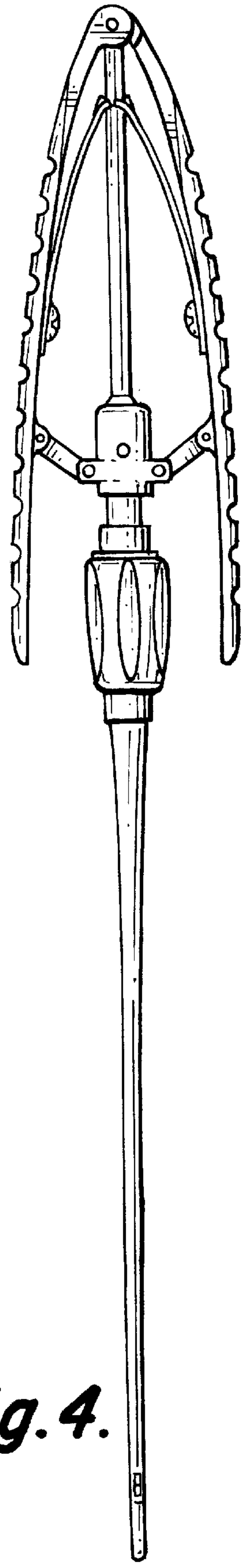
*Fig. 1.*



*Fig. 2.*



*Fig. 3.*



*Fig. 4.*