



US00D484596S

(12) **United States Design Patent**
Ryan et al.

(10) **Patent No.:** **US D484,596 S**

(45) **Date of Patent:** **** *Dec. 30, 2003**

(54) **SURGICAL TOOL BLADE HOLDER**

(75) Inventors: **Phillip Andrew Ryan**, Memphis, TN (US); **Constance Elaine Johnston**, Eads, TN (US); **Dickon Isaacs**, Chicago, IL (US)

(73) Assignee: **Gyrus ENT L.L.C.**, Bartlett, TN (US)

(*) Notice: This patent is subject to a terminal disclaimer.

(**) Term: **14 Years**

(21) Appl. No.: **29/157,565**

(22) Filed: **Mar. 22, 2002**

(51) **LOC (7) Cl.** **24-02**

(52) **U.S. Cl.** **D24/146; D24/133**

(58) **Field of Search** D24/133, 144, D24/146, 128; 600/173, 170, 171, 167, 80, 79

(56) **References Cited**

U.S. PATENT DOCUMENTS

- 3,618,611 A 11/1971 Urban
- 5,492,527 A 2/1996 Glowa et al.
- 5,620,447 A * 4/1997 Smith et al. 606/79
- D390,956 S * 2/1998 Sjostrom et al. D24/146
- 5,888,200 A * 3/1999 Walen 606/170
- 6,042,593 A 3/2000 Storz et al.
- 6,152,941 A * 11/2000 Himes et al. 606/167

- 6,221,088 B1 4/2001 Bays
- 6,293,957 B1 9/2001 Peters et al.
- D449,504 S * 10/2001 Boyle et al. D8/70
- 6,312,441 B1 * 11/2001 Deng 606/170
- 6,368,324 B1 * 4/2002 Dinger et al. 606/85
- 6,494,892 B1 * 12/2002 Ireland et al. 606/167

OTHER PUBLICATIONS

U.S. patent application Ser. No. 10/103,104, filed Mar. 22, 2002, Johnston et al.

* cited by examiner

Primary Examiner—Ian Simmons

(74) *Attorney, Agent, or Firm*—Oliff & Berridge, PLC

(57) **CLAIM**

The ornamental design for surgical tool blade holder, as shown and described.

DESCRIPTION

FIG. 1 is a side view of the surgical tool blade holder, the opposite side view being a mirror image;

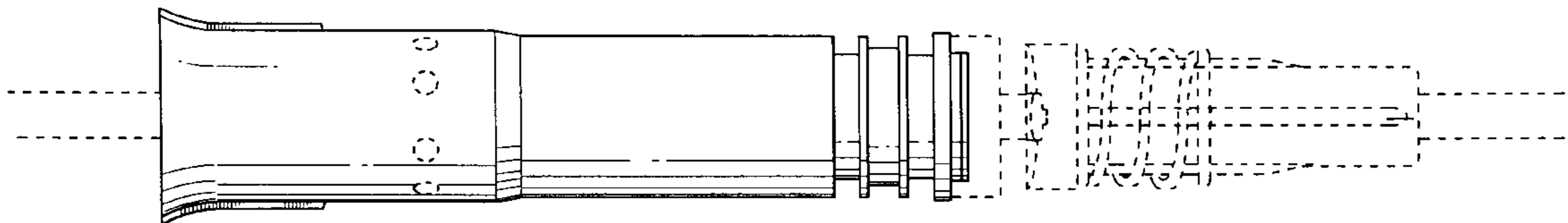
FIG. 2 is a top view thereof, the bottom view being a mirror image;

FIG. 3 is a front end view thereof; and,

FIG. 4 is a rear end view thereof.

The broken line showing in FIGS. 1 through 4 is for illustrative purposes only and forms no part of the claimed design.

1 Claim, 2 Drawing Sheets



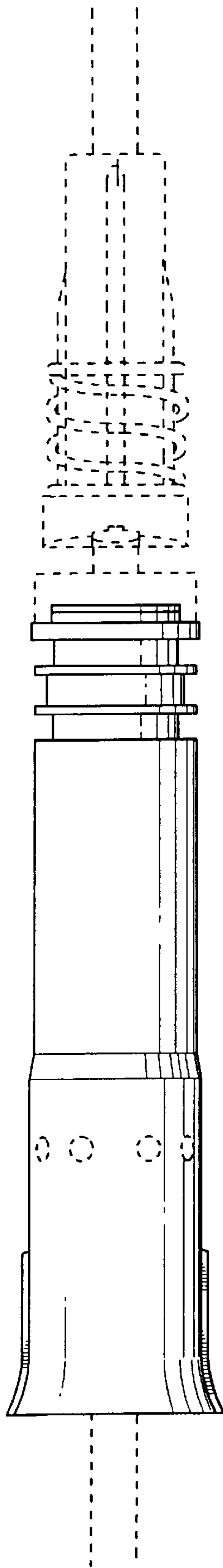


Fig. 1

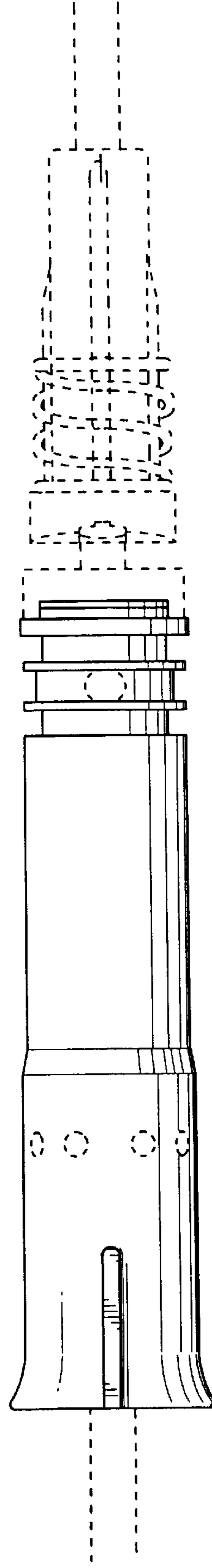


Fig. 2

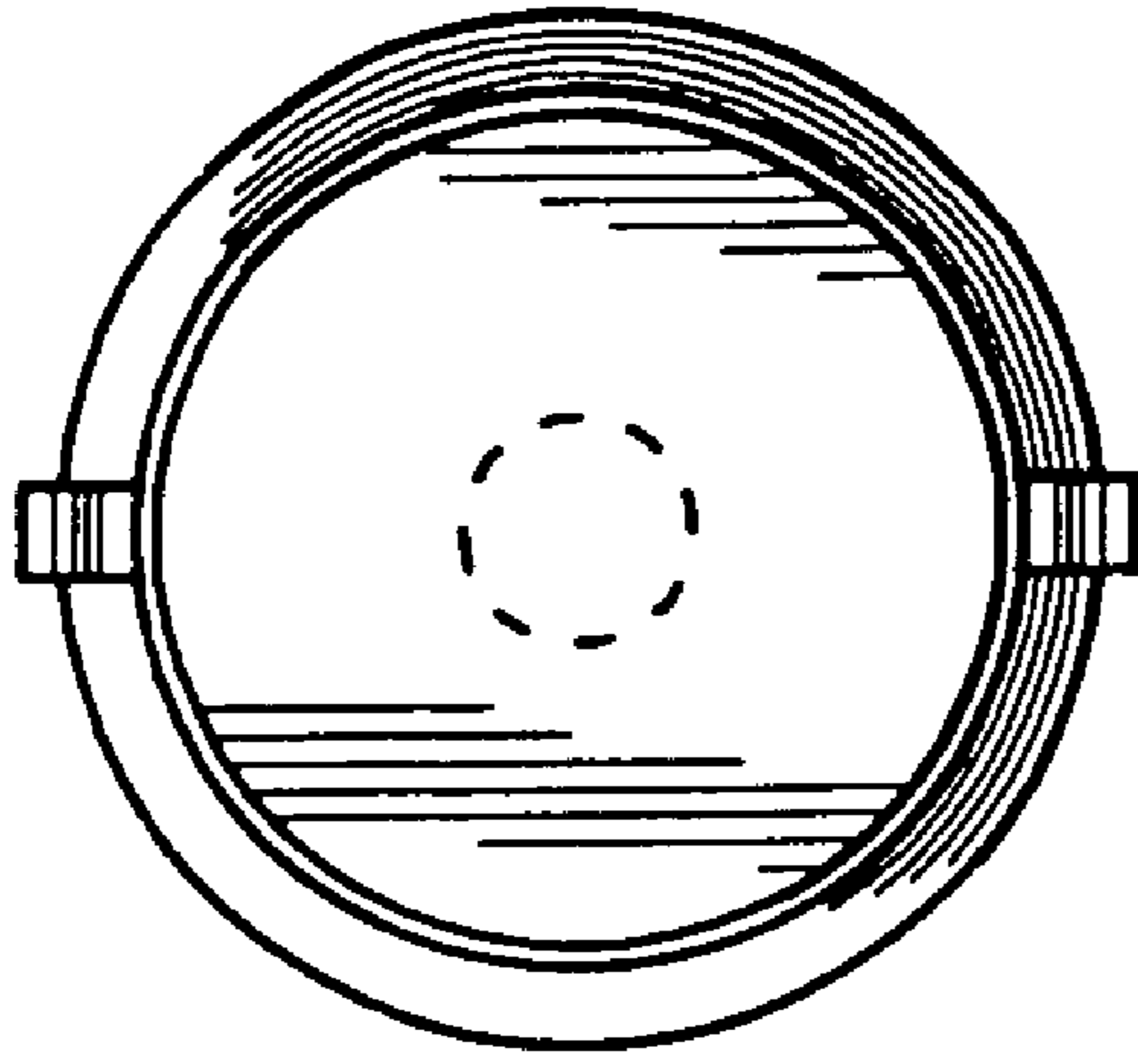


Fig. 3

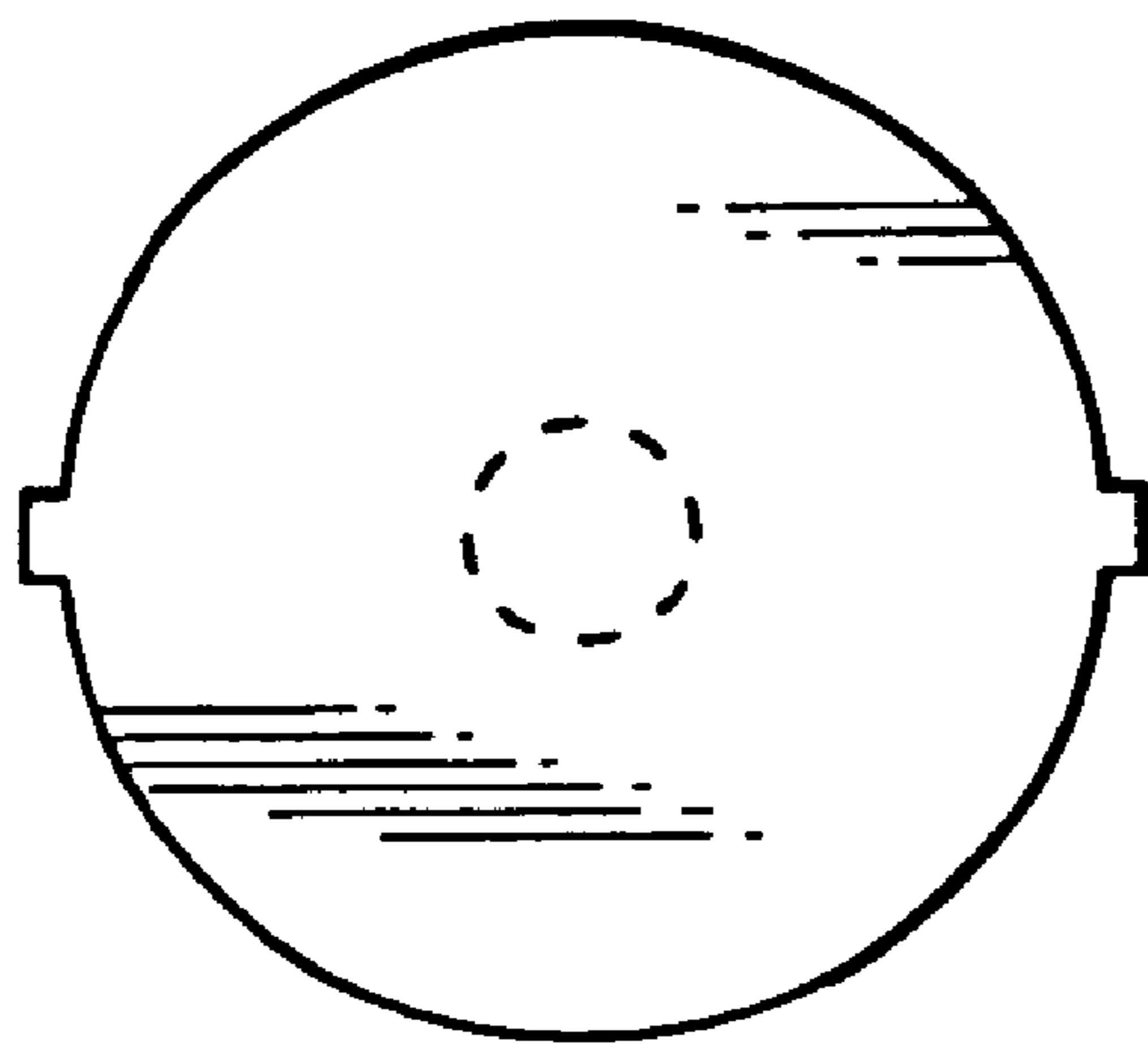


Fig. 4