



US00D484594S

(12) **United States Design Patent**
Hayamizu

(10) **Patent No.:** **US D484,594 S**

(45) **Date of Patent:** **** Dec. 30, 2003**

(54) **OPERATING KNOB FOR ENDOSCOPE**

(75) Inventor: **Eiji Hayamizu, Tokyo (JP)**

(73) Assignee: **Pentax Corporation, Tokyo (JP)**

(**) Term: **14 Years**

(21) Appl. No.: **29/166,303**

(22) Filed: **Aug. 26, 2002**

(30) **Foreign Application Priority Data**

Feb. 27, 2002 (JP) 2002-004977

(51) **LOC (7) Cl.** **24-02**

(52) **U.S. Cl.** **D24/138**

(58) **Field of Search** D24/137, 138;
600/131, 132, 167, 168, 111, 148, 147,
163, 146, 119

(56) **References Cited**

U.S. PATENT DOCUMENTS

D269,457 S	*	6/1983	Ishiwara	D24/138
D277,406 S	*	1/1985	Imada	D24/138
D277,505 S	*	2/1985	Kubokawa et al.	D24/138
5,007,406 A	*	4/1991	Takahashi et al.	600/119
5,388,568 A	*	2/1995	van der Heide	600/146
5,575,755 A	*	11/1996	Krauter et al.	600/148
5,667,476 A	*	9/1997	Frassica et al.	600/147

6,315,712 B1	*	11/2001	Rovegno	600/131
6,319,197 B1	*	11/2001	Tsuji et al.	600/132
6,520,908 B1	*	2/2003	Ikeda et al.	600/132

FOREIGN PATENT DOCUMENTS

JP	932630	8/1995
JP	1029118	1/1999

* cited by examiner

Primary Examiner—Ian Simmons

(74) *Attorney, Agent, or Firm*—Sughrue Mion, PLLC

(57) **CLAIM**

The ornamental design for an operating knob for endoscope, as shown and described.

DESCRIPTION

FIG. 1 is a perspective view of the front, top and left side of an operating knob for endoscope showing my new design; FIG. 2 is a front elevational view thereof; FIG. 3 is a partial rear elevational view thereof; FIG. 4 is a left side elevational view thereof; FIG. 5 is a right side elevational view thereof; FIG. 6 is a top plan view thereof; and, FIG. 7 is a bottom plan view thereof.

The elements shown in broken lines do not constitute any part of the claimed design.

1 Claim, 5 Drawing Sheets

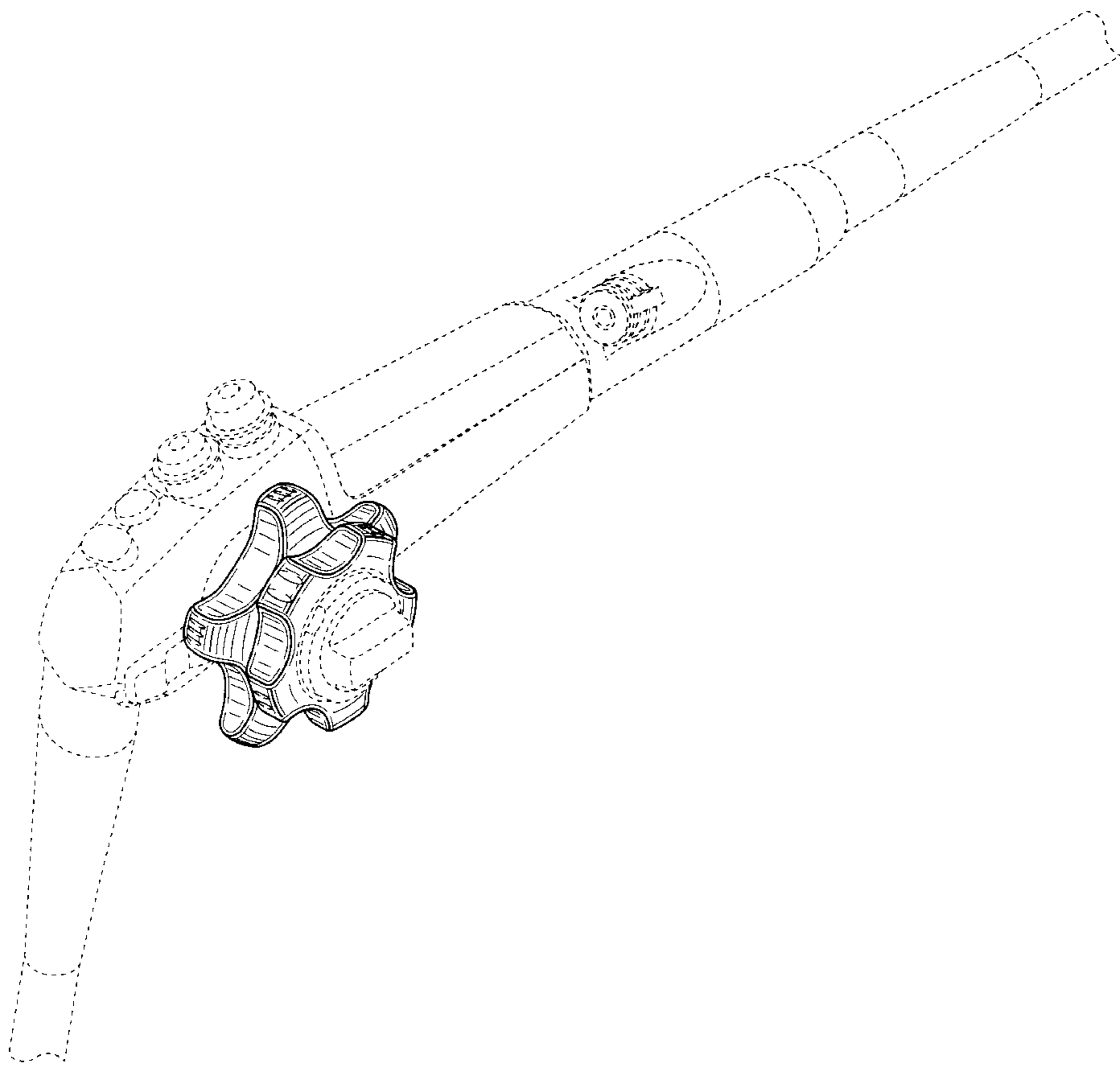


FIG. 1

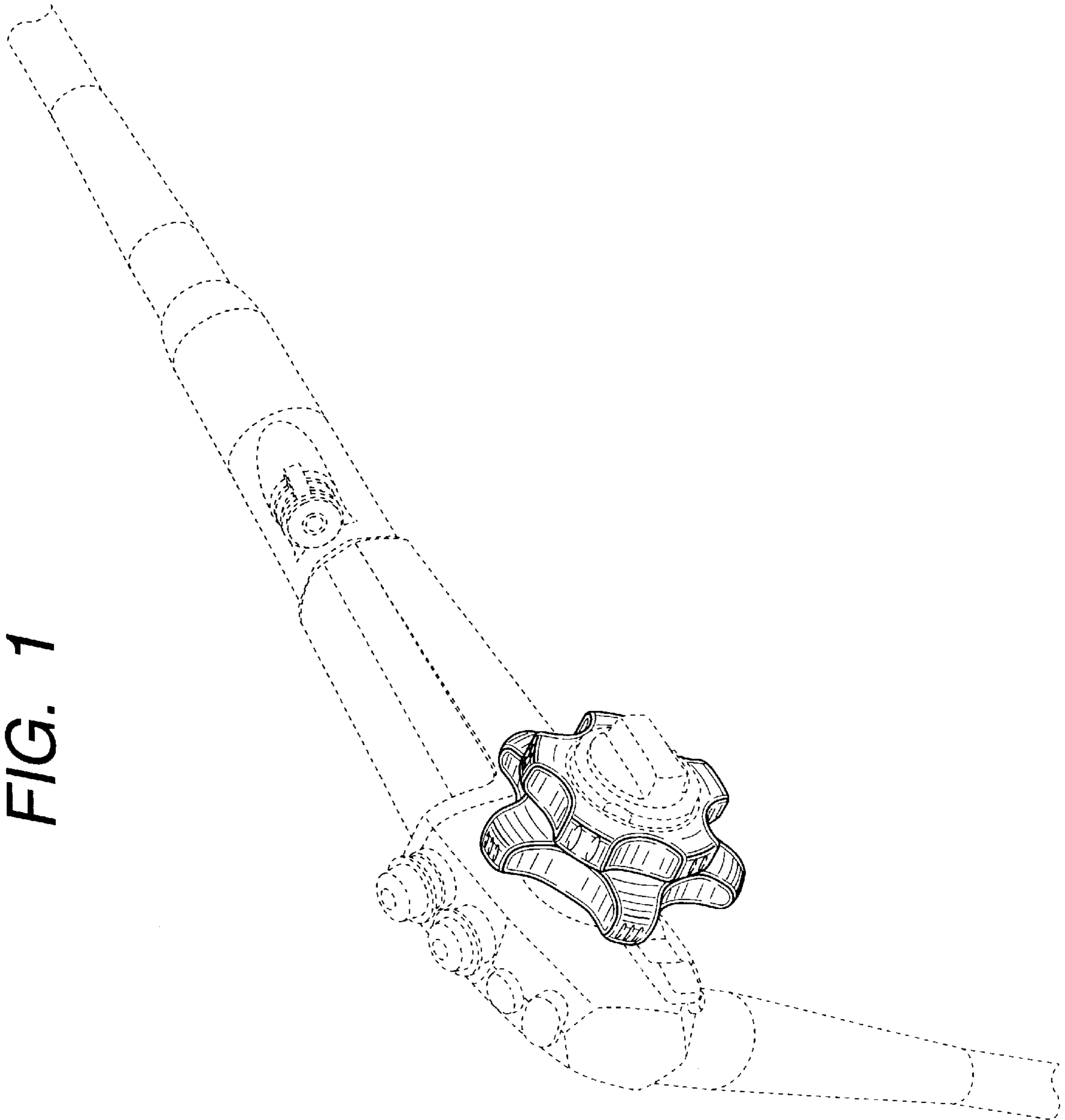


FIG. 2

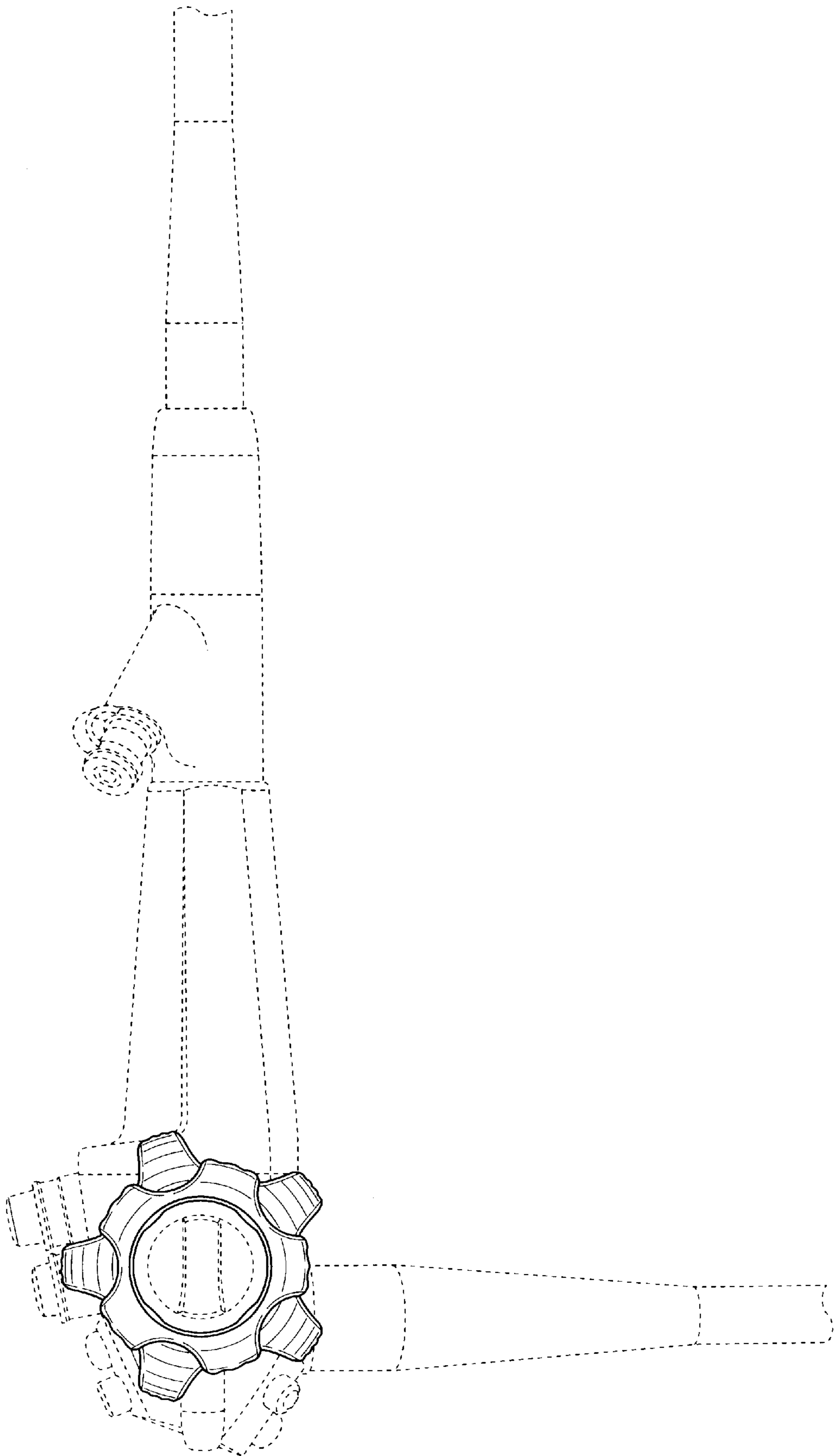


FIG. 3

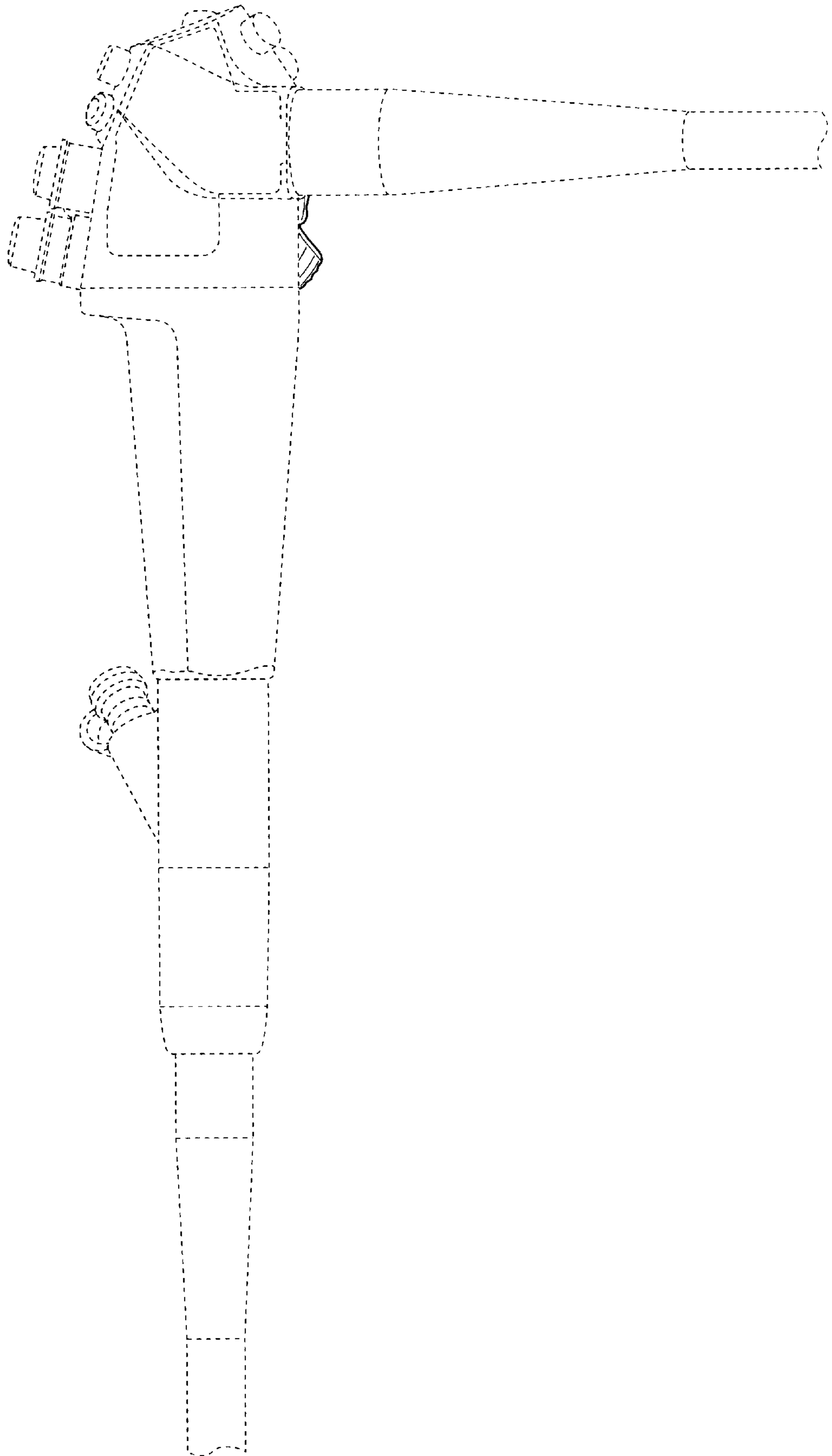


FIG. 4

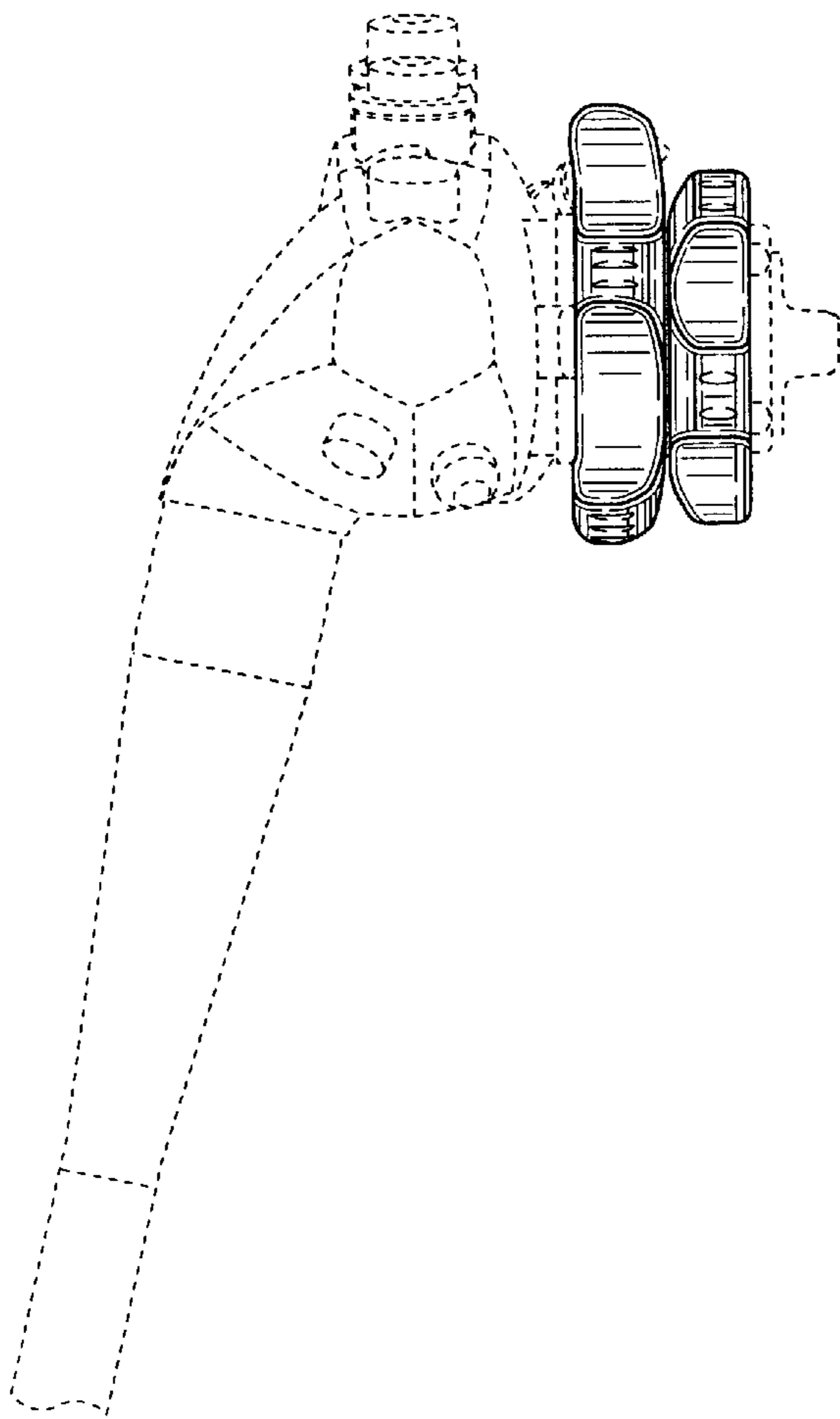


FIG. 5

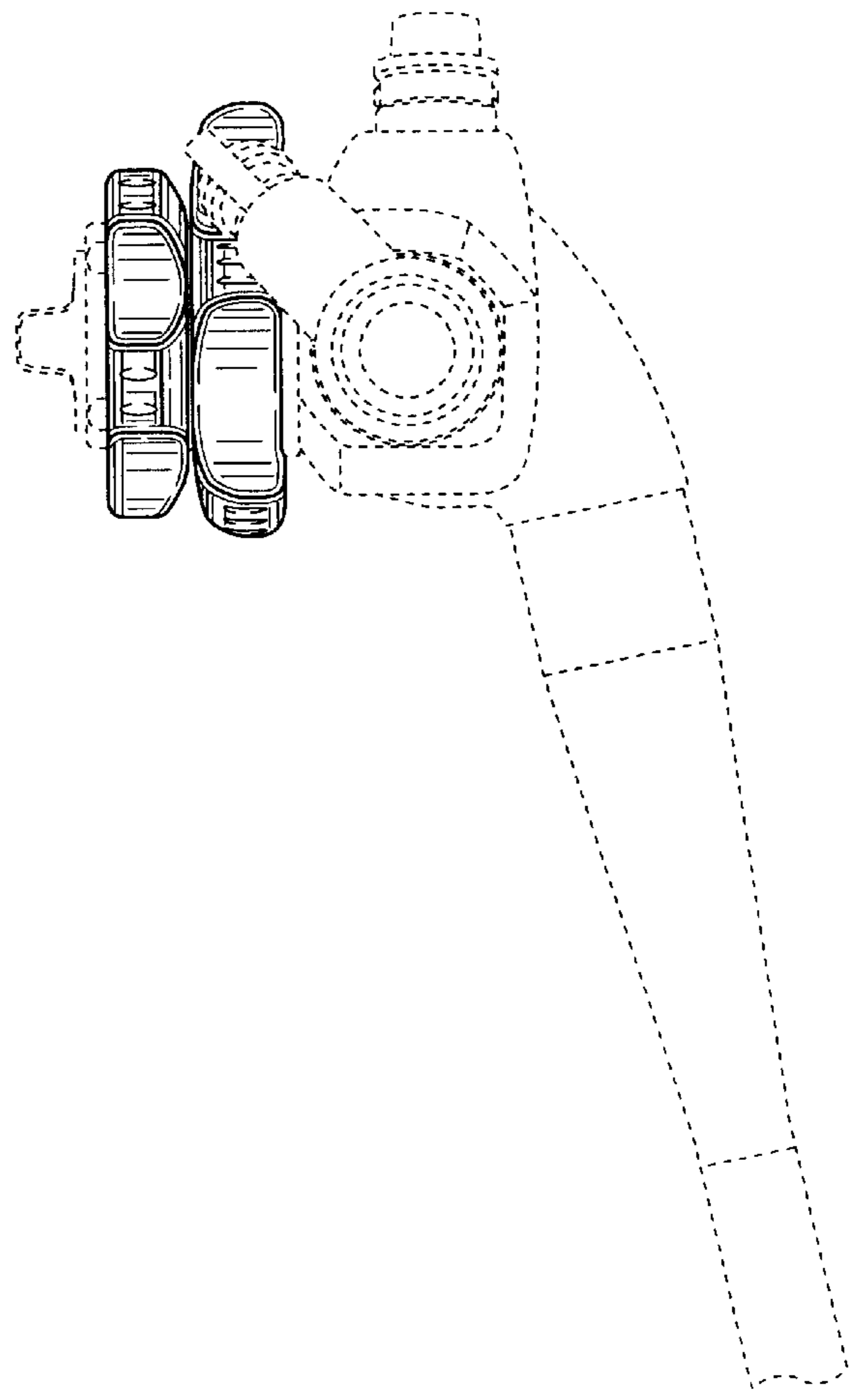


FIG. 6

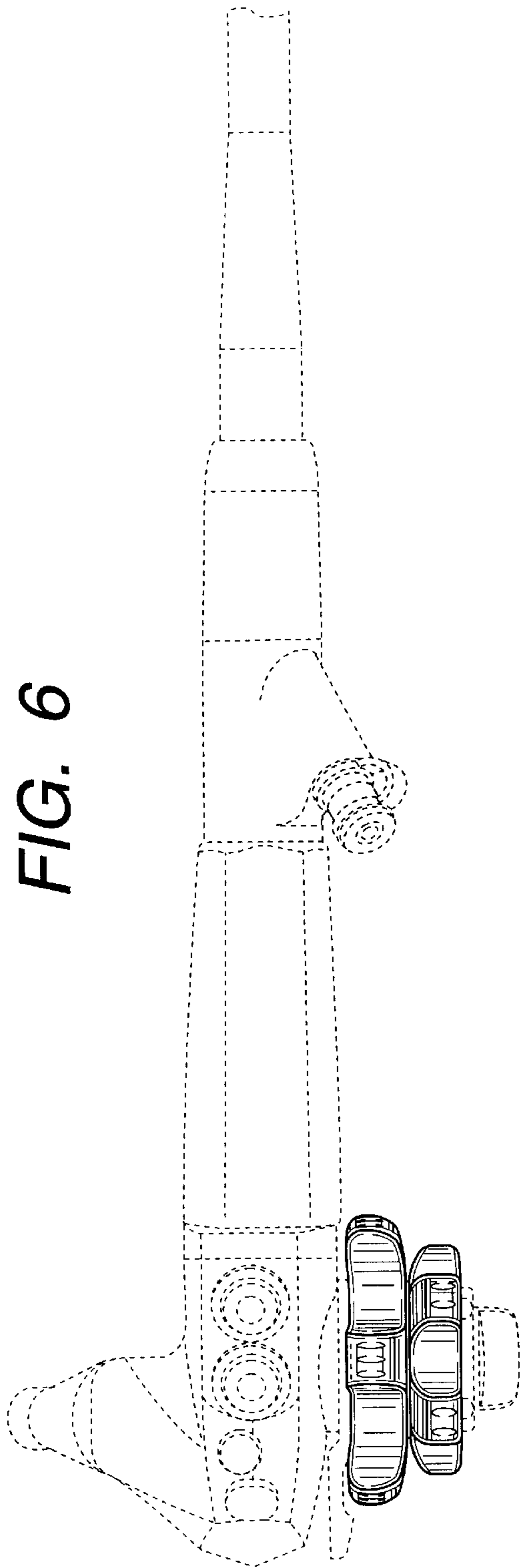


FIG. 7

