



US00D484593S

(12) **United States Design Patent**
Baillargeon et al.

(10) **Patent No.:** **US D484,593 S**

(45) **Date of Patent:** **** Dec. 30, 2003**

(54) **IRRIGATION/ASPIRATION INSTRUMENT CONNECTOR**

(75) Inventors: **Jean-Martin Baillargeon**, Kirkland, WA (US); **Lawrence Laks**, Bellevue, WA (US)

(73) Assignee: **MicroSurgical Technology, Inc.**, Redmond, WA (US)

(**) Term: **14 Years**

(21) Appl. No.: **29/177,255**

(22) Filed: **Mar. 4, 2003**

Related U.S. Application Data

(62) Division of application No. 29/152,923, filed on Dec. 21, 2001, now Pat. No. Des. 473,646.

(51) **LOC (7) Cl.** **24-02**

(52) **U.S. Cl.** **D24/129**

(58) **Field of Search** D24/729, 108, D24/111, 112; D23/262, 263, 264; 604/905, 256, 247; 285/351, 137.1, 119, 315; 251/149.6

(56) **References Cited**

U.S. PATENT DOCUMENTS

3,995,659 A * 12/1976 Cantore 251/149.6
4,296,949 A * 10/1981 Muetterties et al. 604/905

4,580,816 A 4/1986 Campbell et al.
4,619,640 A 10/1986 Potolsky et al.
D313,067 S * 12/1990 Kotake et al. D23/262
D321,251 S 10/1991 Jepson et al.
D380,037 S 6/1997 Grantham
6,044,859 A * 4/2000 Davis 604/247
6,406,470 B1 6/2002 Kierce

* cited by examiner

Primary Examiner—Ian Simmons

(74) *Attorney, Agent, or Firm*—Christensen O'Connor Johnson Kindness PLLC

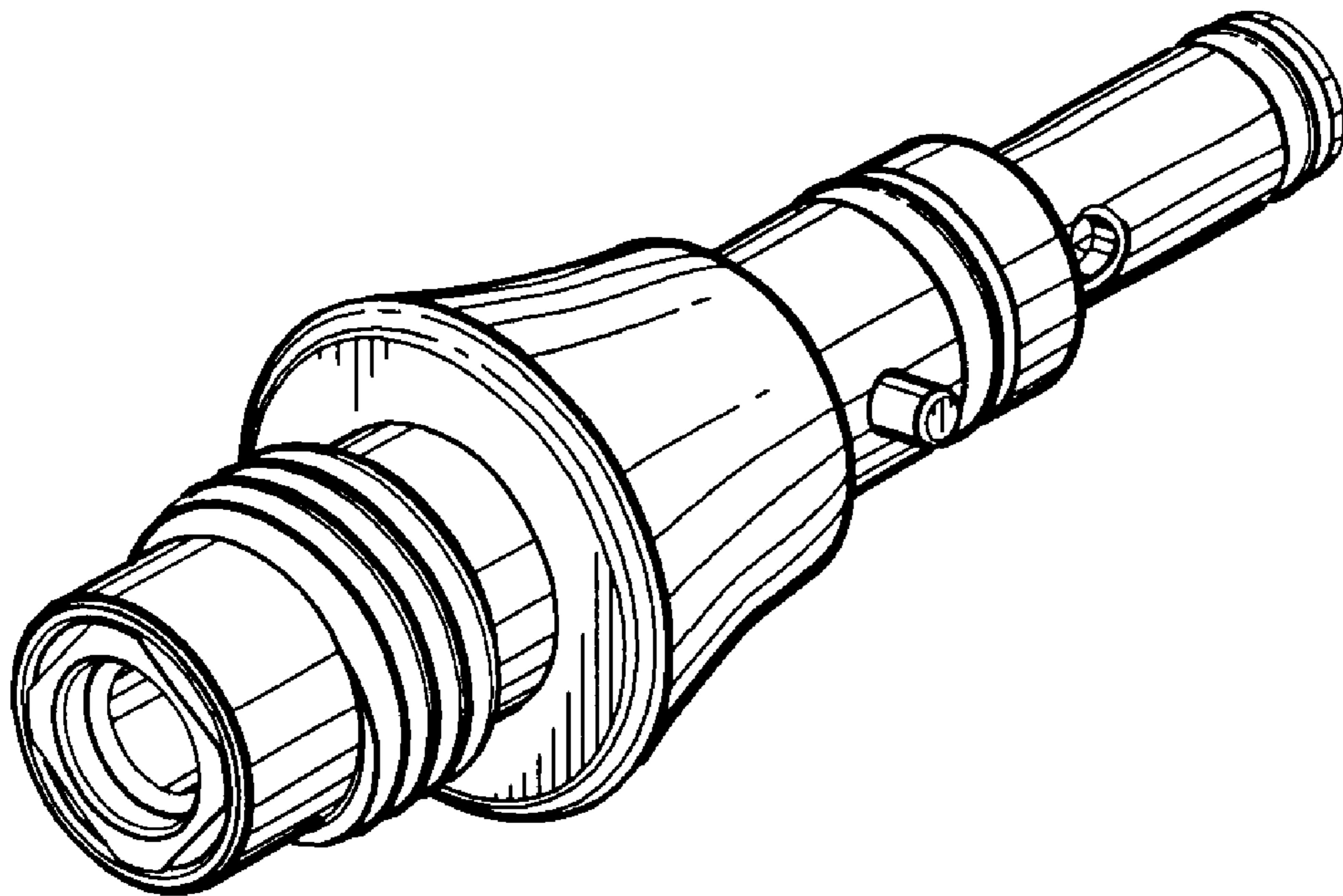
(57) **CLAIM**

The ornamental design for an irrigation/aspiration instrument connector, as shown and described.

DESCRIPTION

FIG. 1 is a perspective view of a irrigation/aspiration instrument connector showing our new design;
FIG. 2 is a top rear perspective view thereof;
FIG. 3 is a front end elevational view thereof;
FIG. 4 is a rear end elevational view thereof;
FIG. 5 is a side elevational view thereof taken from the left of FIG. 3;
FIG. 6 is a side elevational view thereof taken from the right of FIG. 3;
FIG. 7 is a top plan view thereof; and,
FIG. 8 is a bottom plan view thereof.

1 Claim, 1 Drawing Sheet



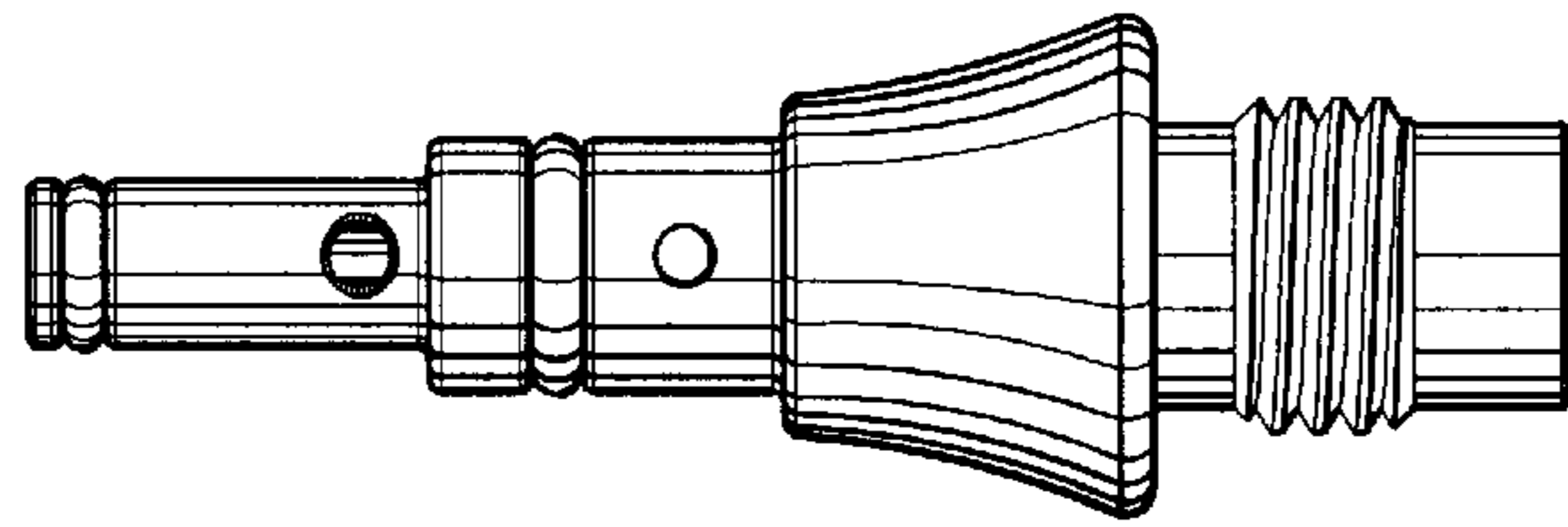
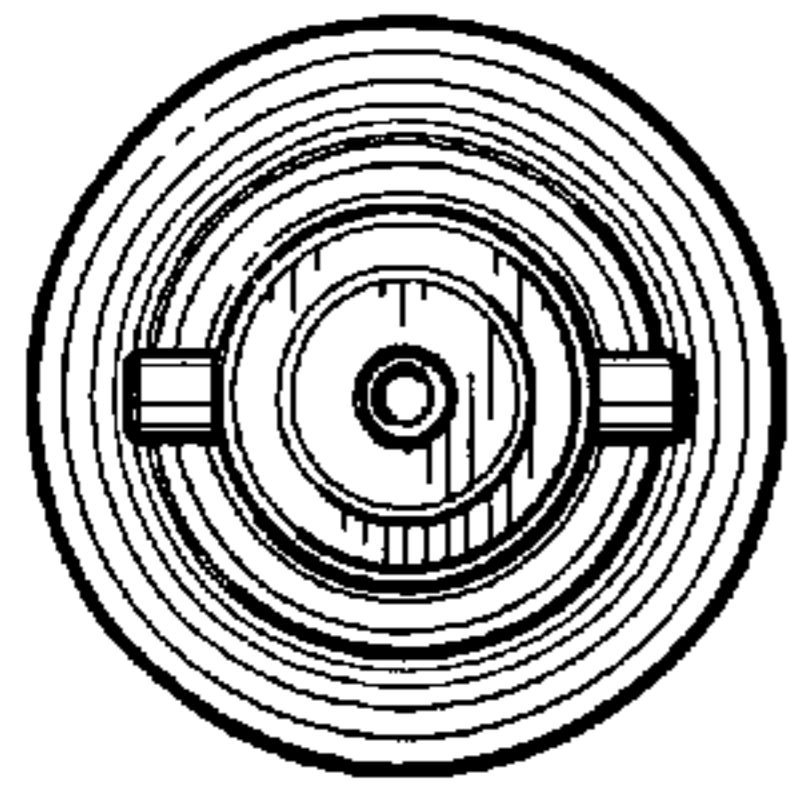
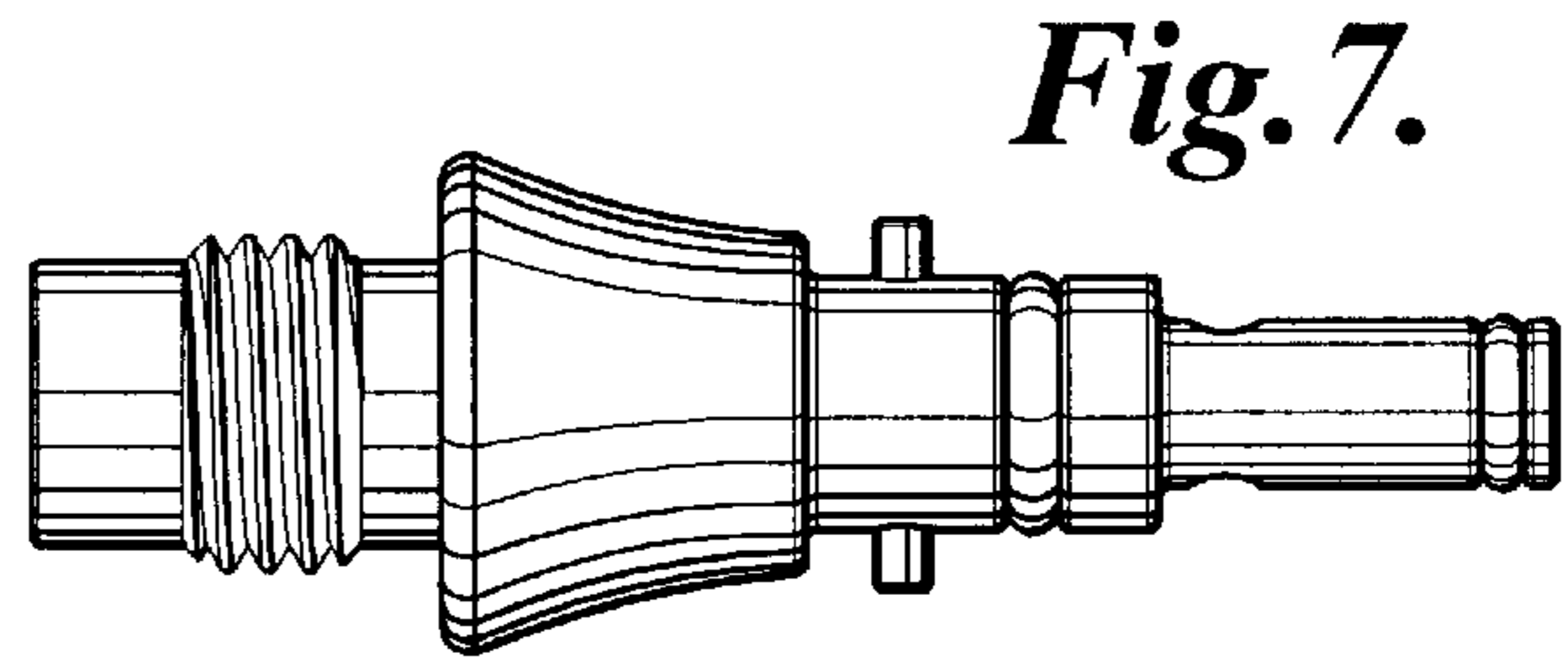
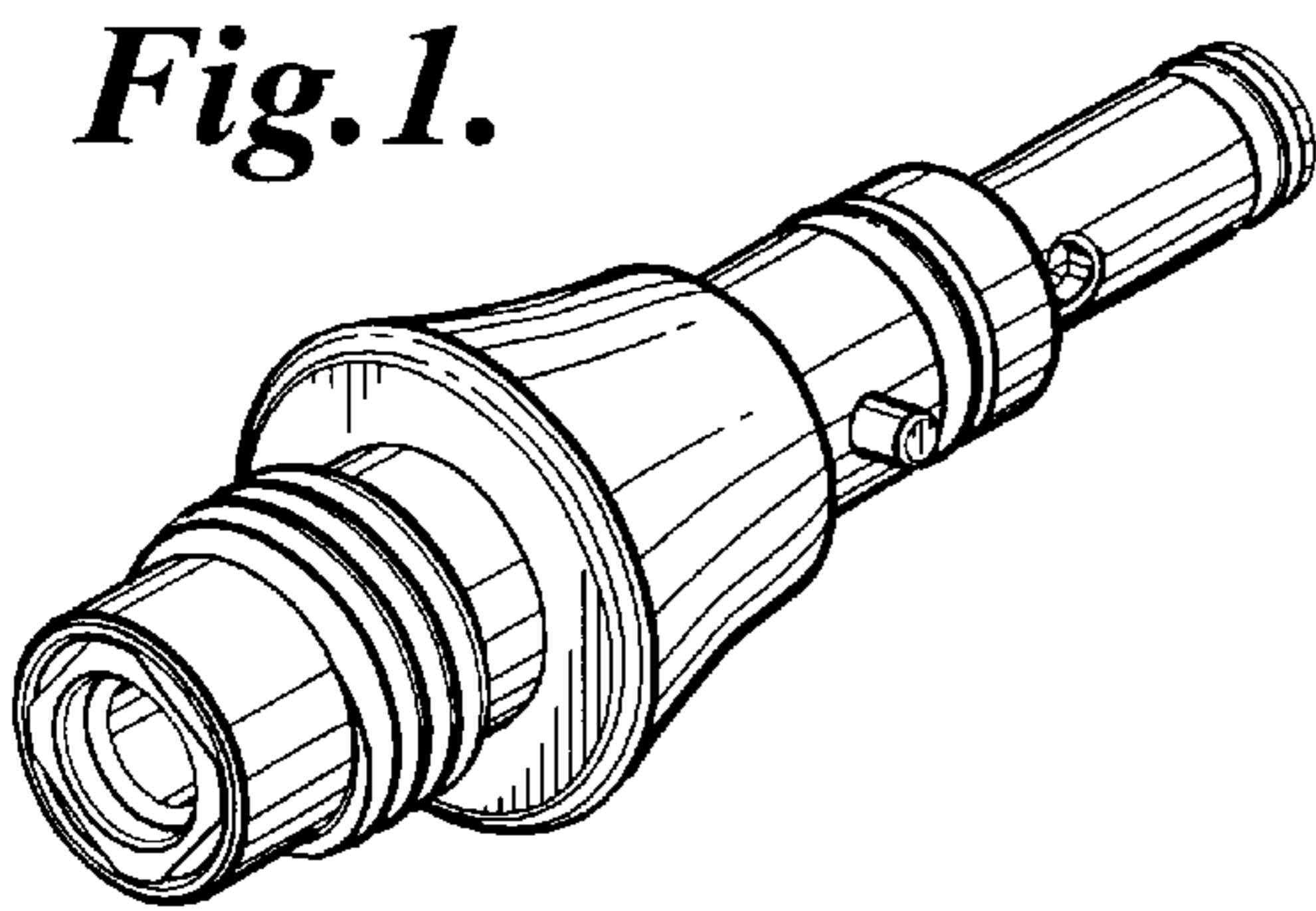


Fig. 4.

Fig. 5.

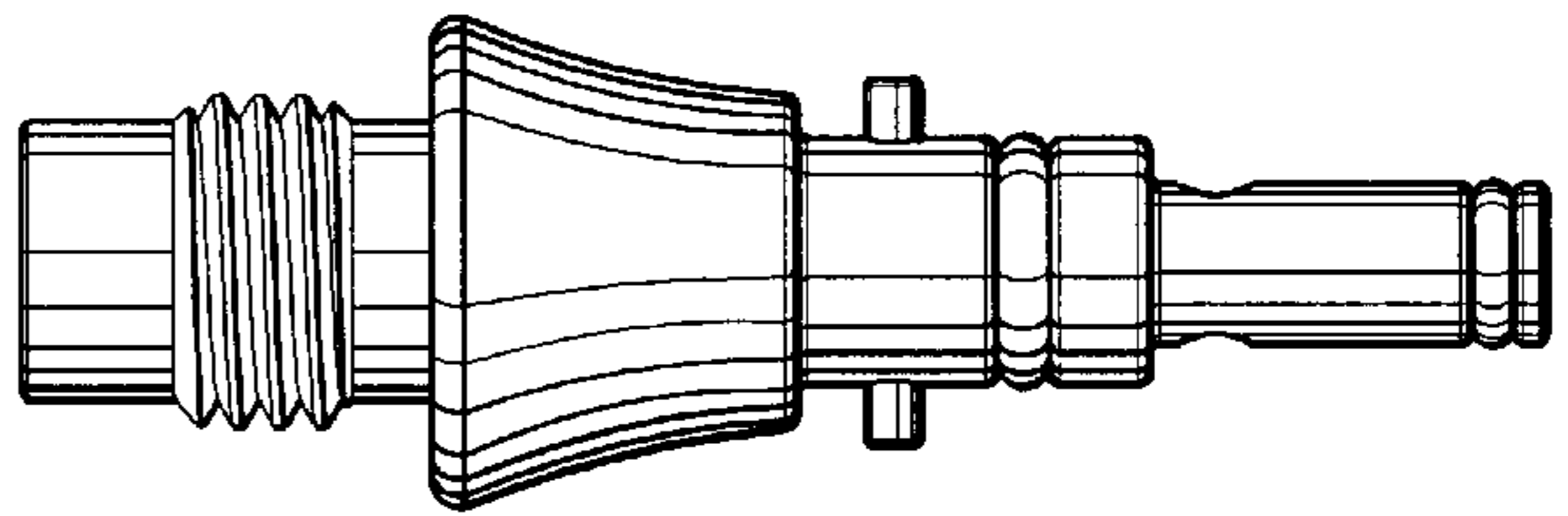
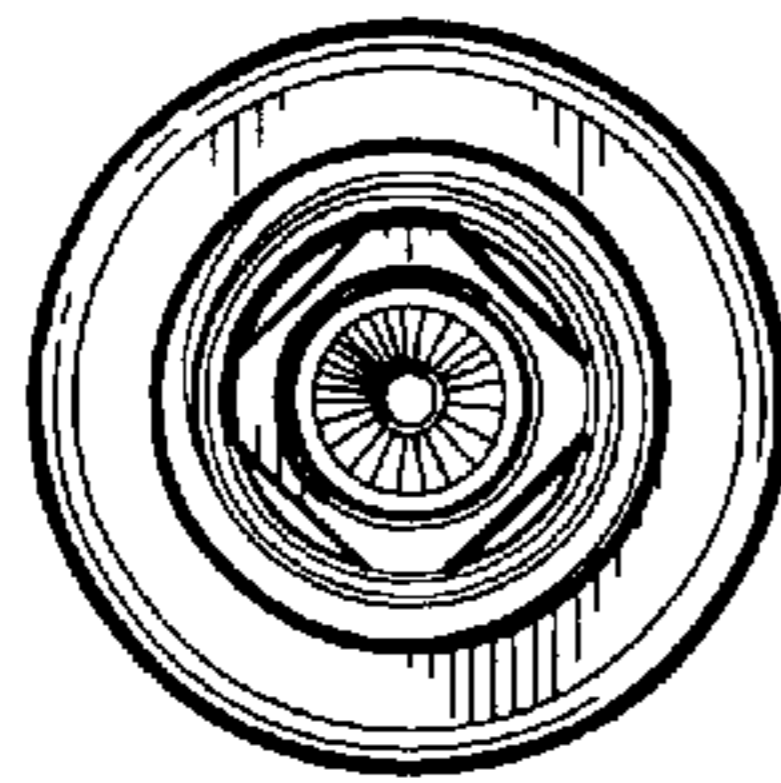


Fig. 3.

Fig. 8.

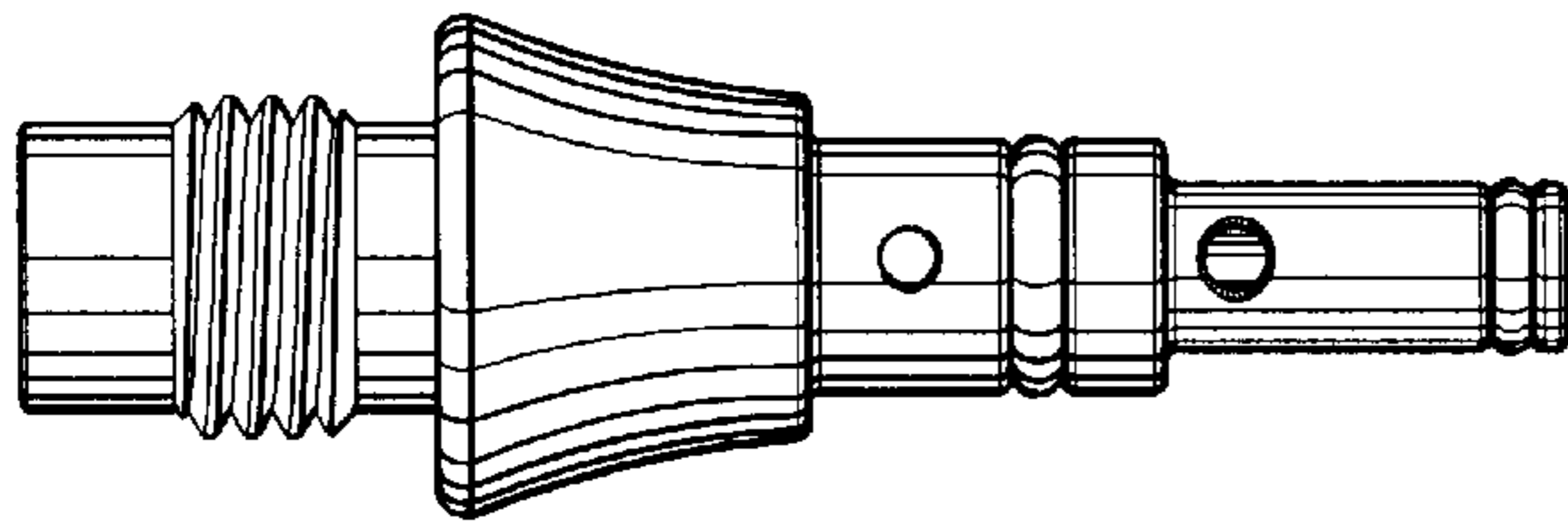


Fig. 6.

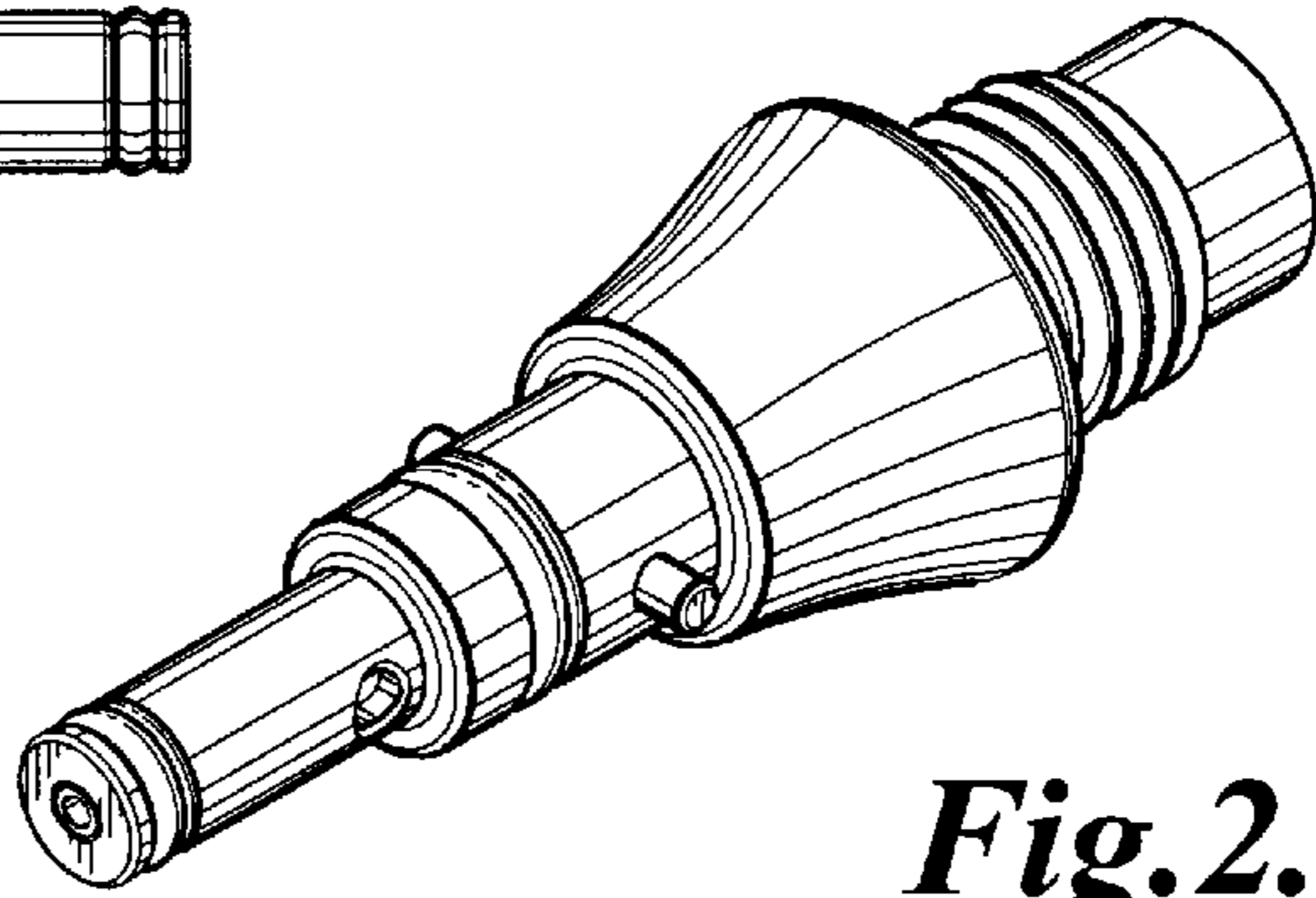


Fig. 2.