



US00D484591S

(12) **United States Design Patent**
Rand

(10) **Patent No.:** **US D484,591 S**

(45) **Date of Patent:** **** Dec. 30, 2003**

(54) **HOLDER FOR AN INHALATION DEVICE**

D456,074 S * 4/2002 McCurry D24/110

(75) Inventor: **Paul Kenneth Rand**, Ware (GB)

* cited by examiner

(73) Assignee: **SmithKline Beecham Corp.**,
Philadelphia, PA (US)

Primary Examiner—Ian Simmons

(74) *Attorney, Agent, or Firm*—J. Michael Strickland

(**) Term: **14 Years**

(57) **CLAIM**

(21) Appl. No.: **29/155,801**

The ornamental design for a holder for an inhalation device,
as shown and described.

(22) Filed: **Feb. 15, 2002**

(30) **Foreign Application Priority Data**

DESCRIPTION

Aug. 17, 2001 (GB) 2104172

FIG. 1 is a top-side perspective view of the holder for
inhalation device, as shown and described;

(51) **LOC (7) Cl.** **24-02**

FIG. 2 is a frontal perspective view; and

(52) **U.S. Cl.** **D24/128; D24/110**

FIG. 3 is a back view.

(58) **Field of Search** D24/110, 128,
D24/127, 169; D3/203; D6/512, 513, 507;
128/205.25, 205.22, 200.14

FIG. 4 is a side view.

FIG. 5 is an opposing side view.

(56) **References Cited**

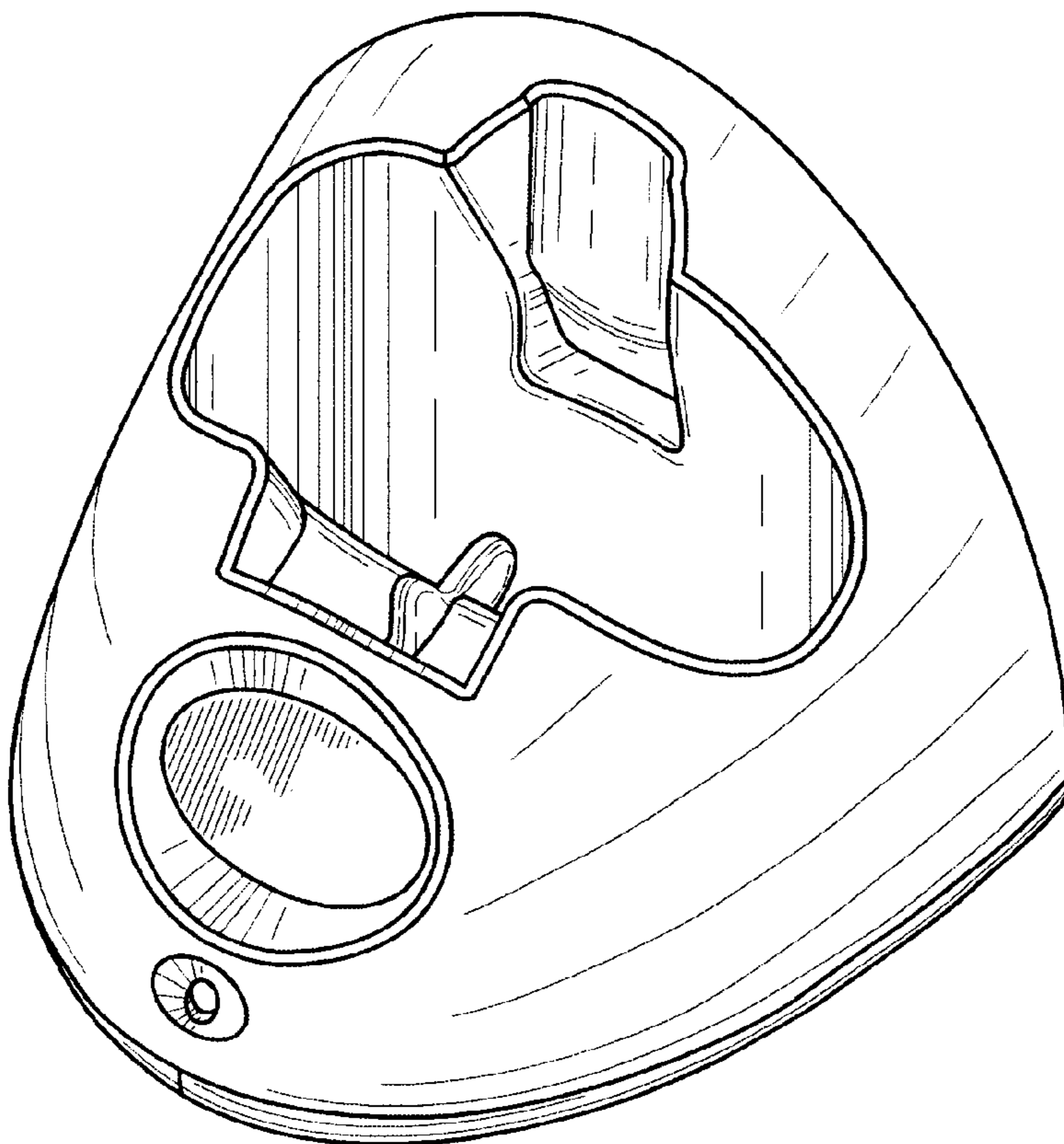
FIG. 6 is a top view; and,

FIG. 7 is a bottom view.

U.S. PATENT DOCUMENTS

D452,564 S * 12/2001 Micinski et al. D24/169

1 Claim, 2 Drawing Sheets



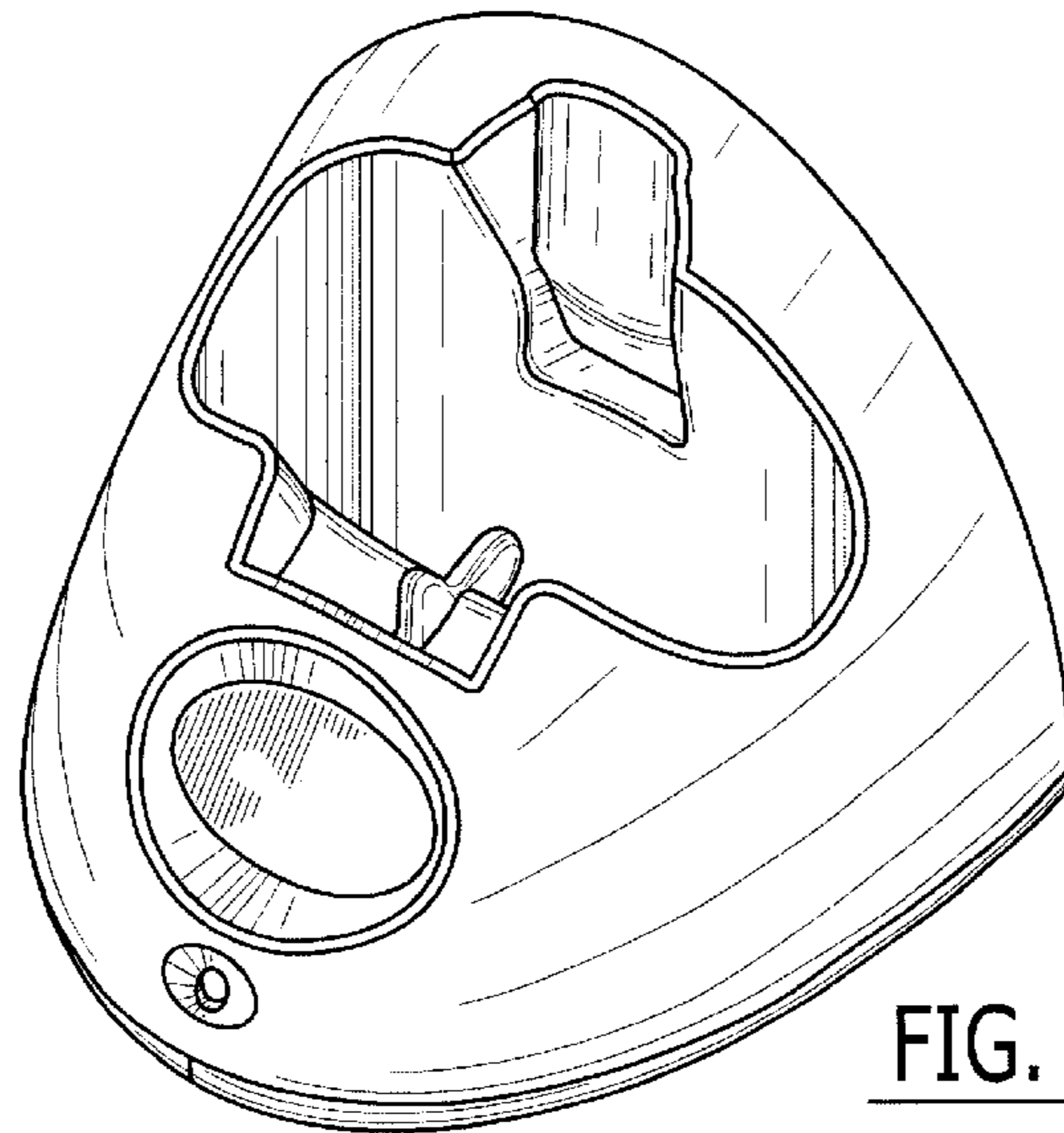


FIG. 1

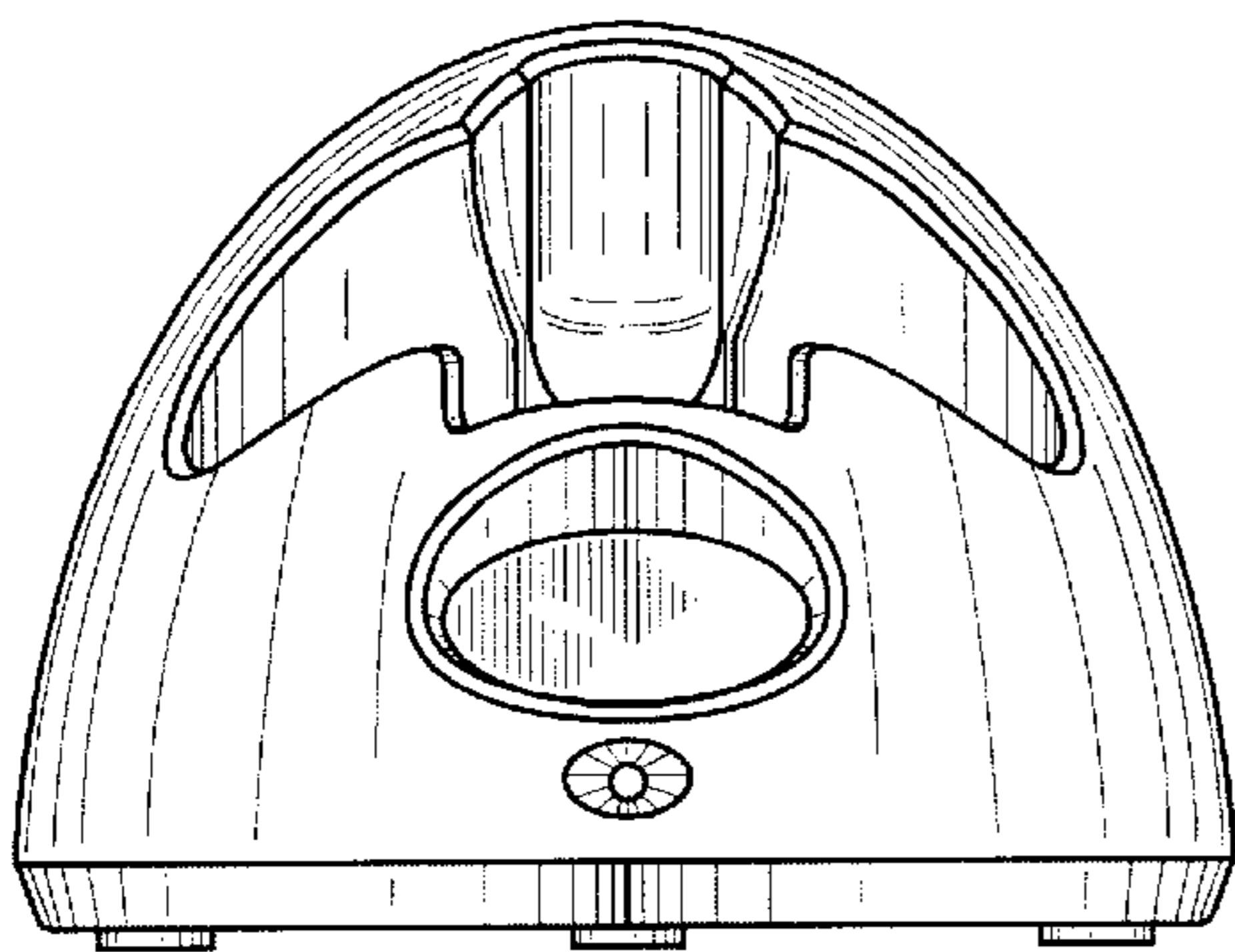


FIG. 2

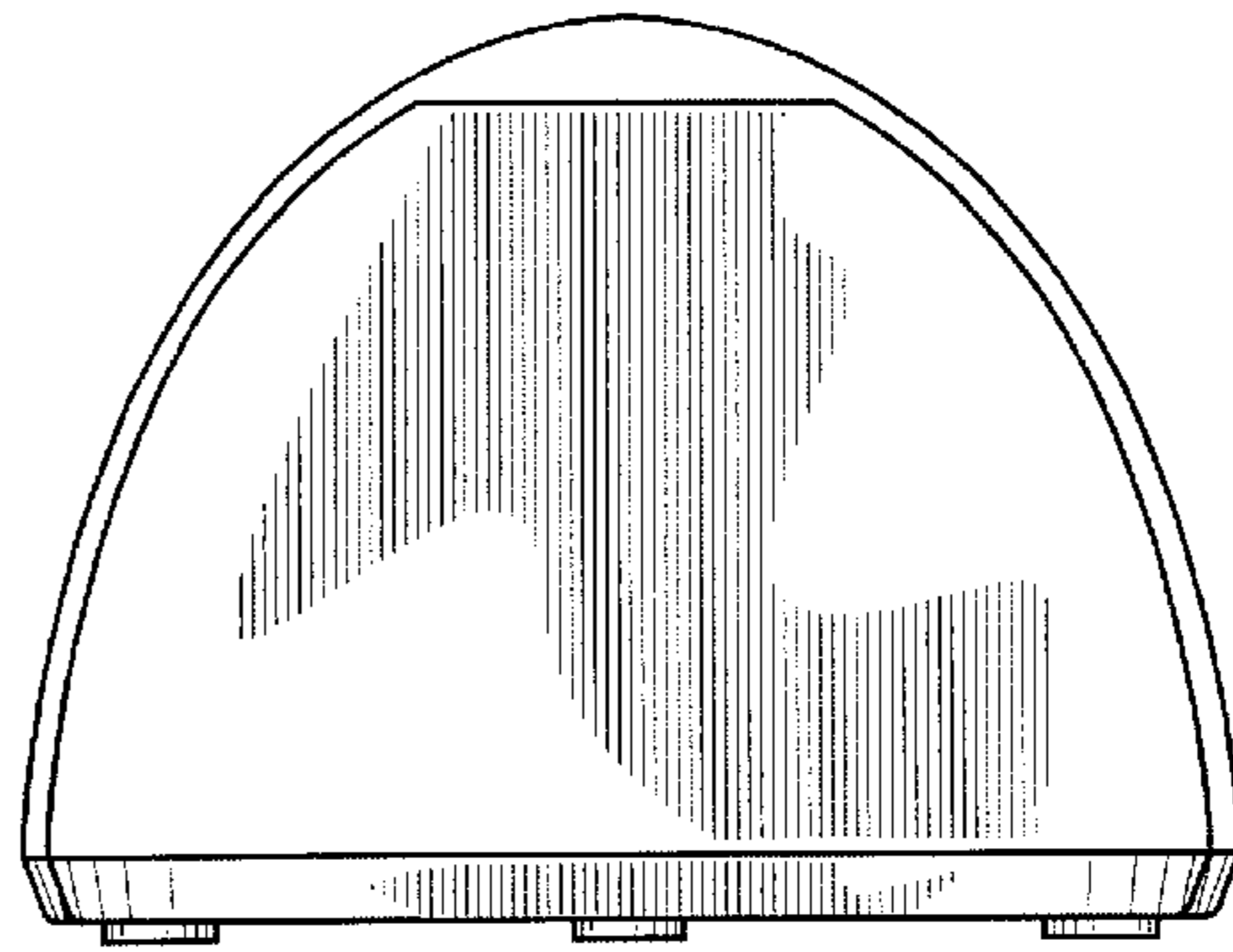


FIG. 3

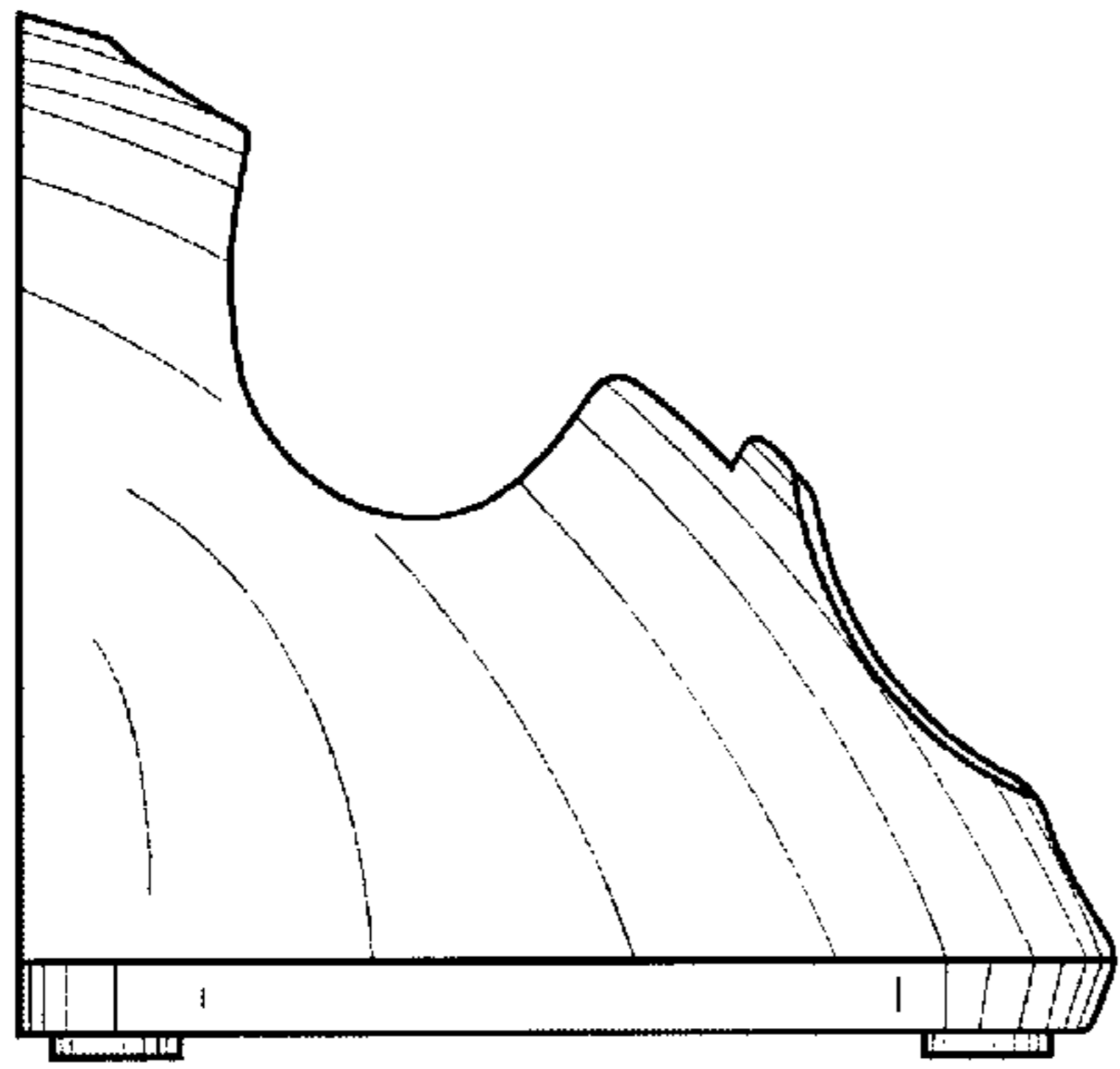


FIG. 4

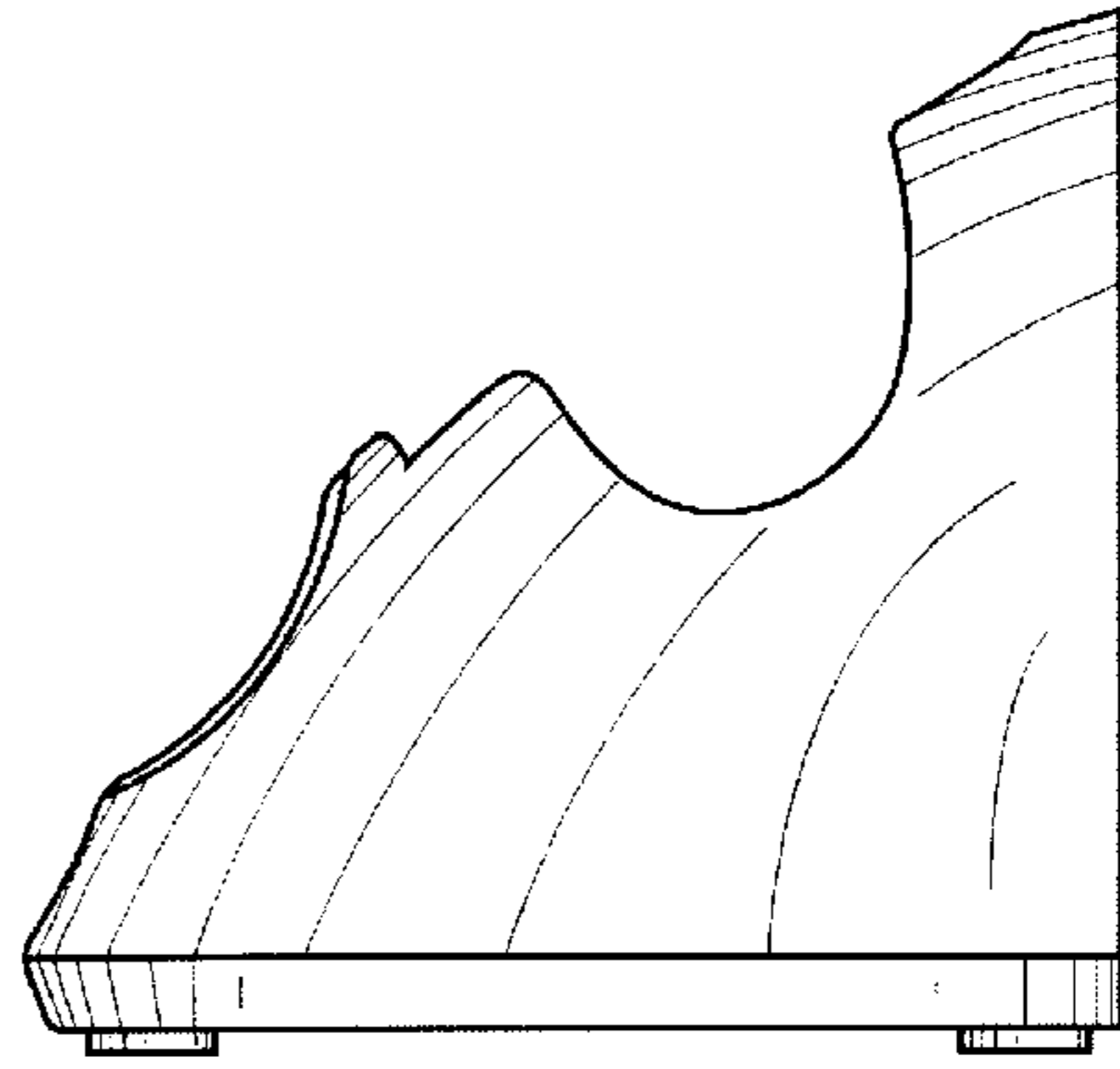


FIG. 5

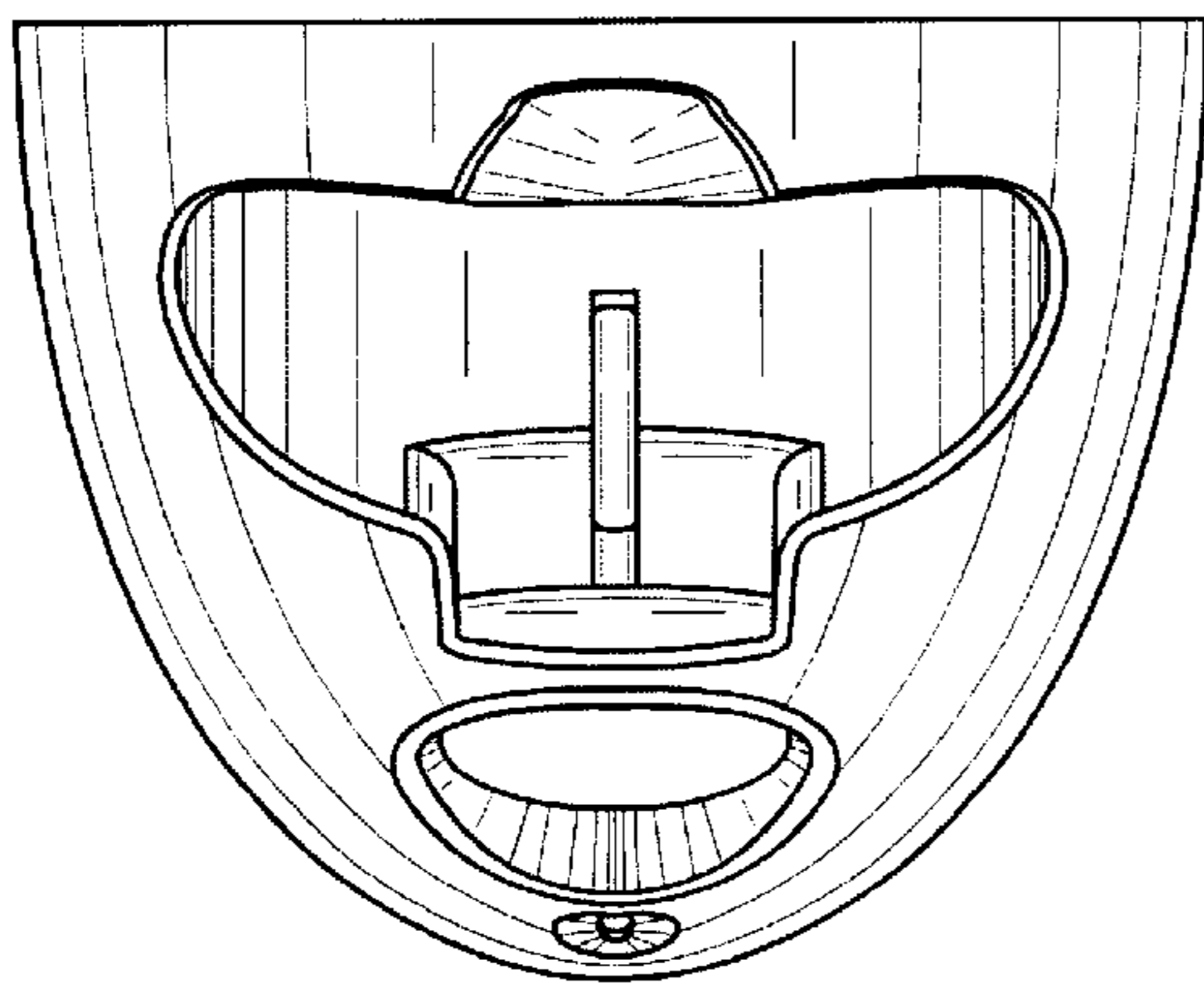


FIG. 6

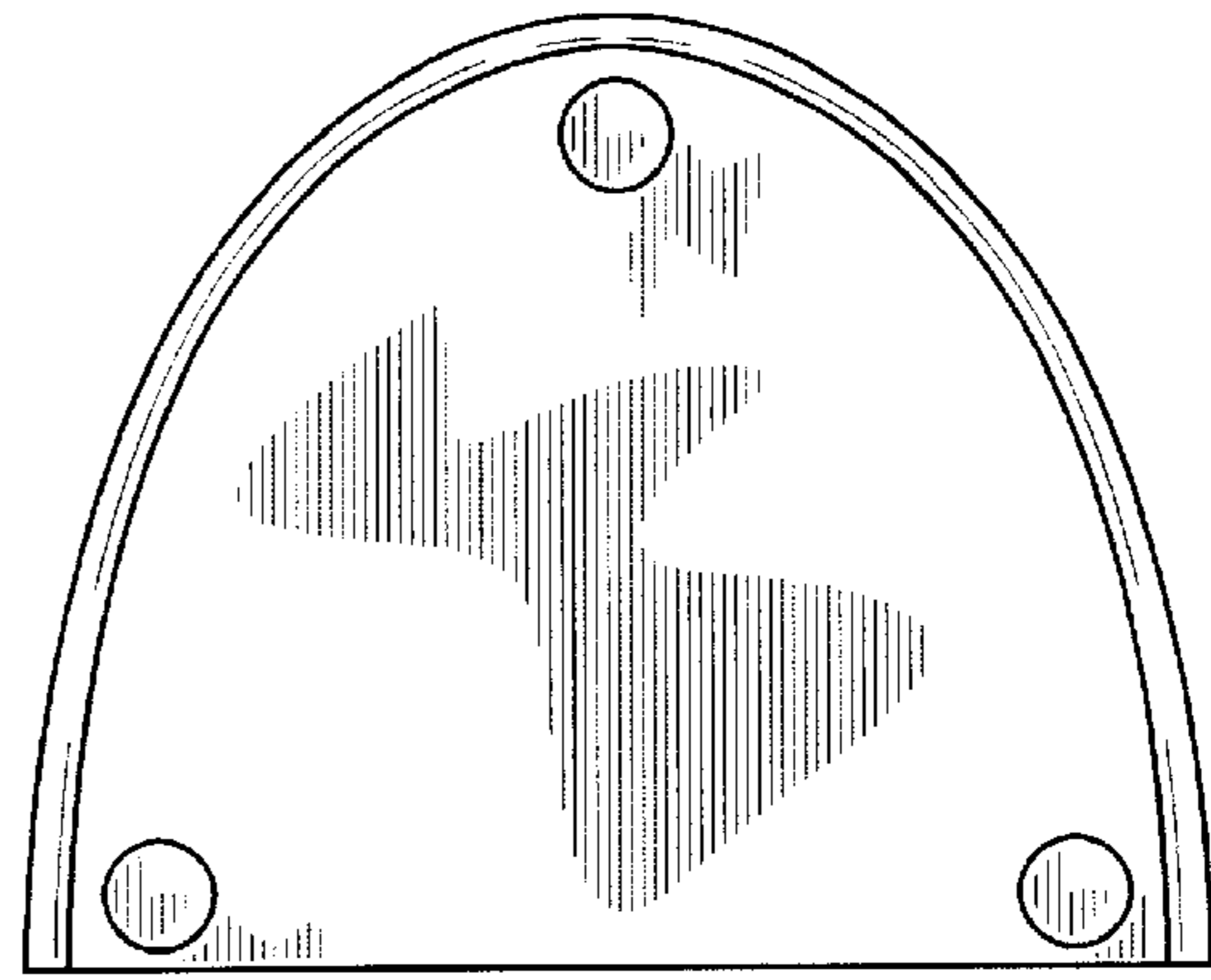


FIG. 7