



US00D484589S

(12) **United States Design Patent**
Intravatola

(10) **Patent No.:** **US D484,589 S**

(45) **Date of Patent:** **** Dec. 30, 2003**

(54) **BLOWER FRAME**

(75) Inventor: **Lawrence Shane Intravatola**, Virginia Beach, VA (US)

(73) Assignee: **Air Systems, Inc.**, Chesapeake, VA (US)

(**) Term: **14 Years**

(21) Appl. No.: **29/183,548**

(22) Filed: **Jun. 12, 2003**

(51) **LOC (7) Cl.** **23-04**

(52) **U.S. Cl.** **D23/383**

(58) **Field of Search** D23/370, 383, D23/411; 415/213.1; 417/423.1, 234, 423.14

(56) **References Cited**

U.S. PATENT DOCUMENTS

| | | | | |
|----------------|--------|----------------|-------|-----------|
| D192,622 S * | 4/1962 | Wallace | | D23/383 |
| D314,619 S * | 2/1991 | Beavers et al. | | D23/383 |
| 6,340,283 B1 * | 1/2002 | Hedger et al. | | 416/247 R |

* cited by examiner

Primary Examiner—Lisa Lichtenstein

(74) *Attorney, Agent, or Firm*—Brinks Hofer Gilson & Lione; Daniel B. Schein, Esq.

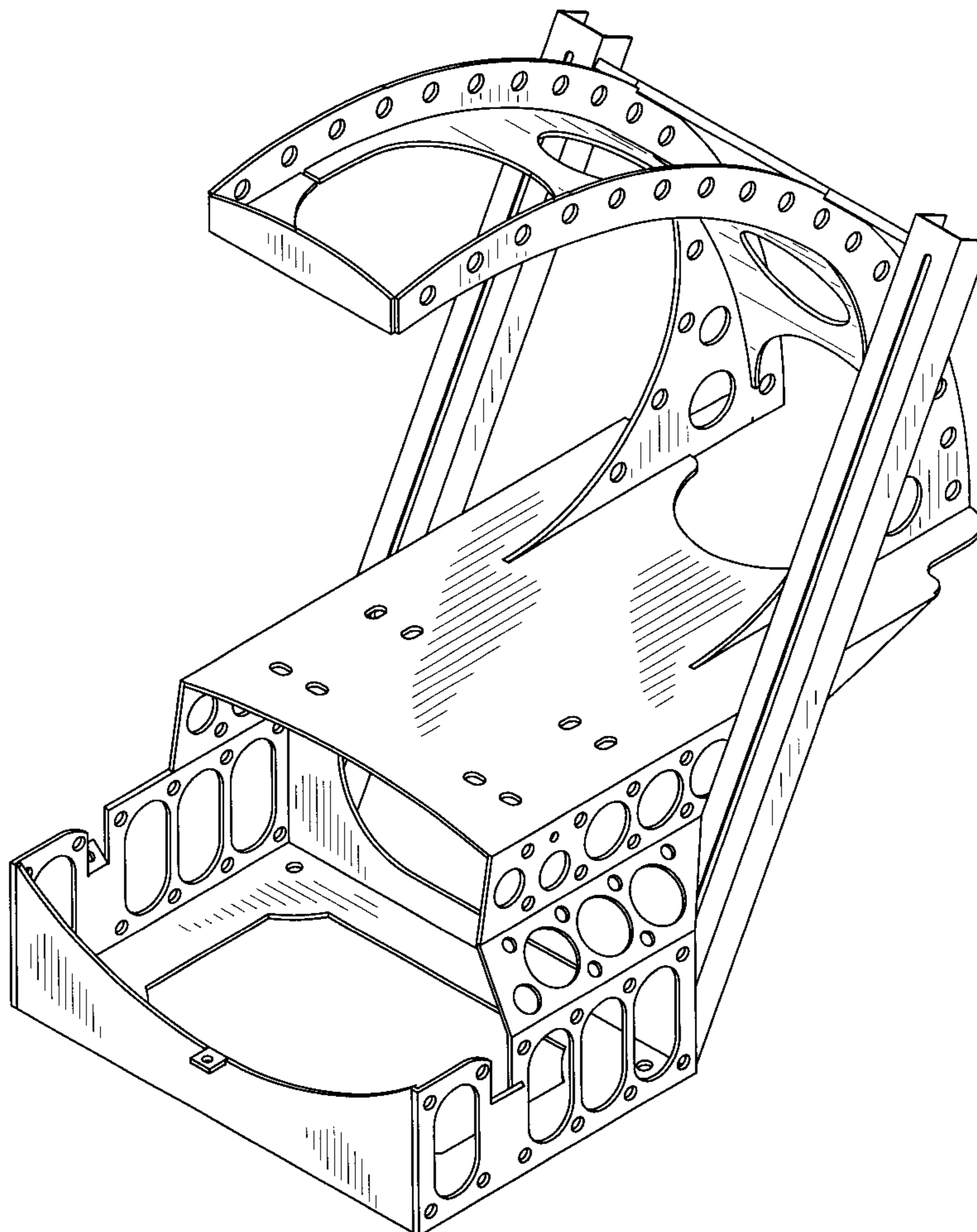
(57) **CLAIM**

The ornamental design for a blower frame, as shown and described.

DESCRIPTION

FIG. 1 is a front perspective view of a preferred embodiment of a blower frame;
 FIG. 2 is a left side elevated view of the blower frame shown in FIG. 1, with the right side view being a mirror image thereof;
 FIG. 3 is a front elevated view of the blower frame shown in FIG. 1;
 FIG. 4 is a rear elevated view of the blower frame shown in FIG. 1;
 FIG. 5 is a top plan view of the blower frame shown in FIG. 1; and,
 FIG. 6 is a bottom plan view of the blower frame shown in FIG. 1.

1 Claim, 6 Drawing Sheets



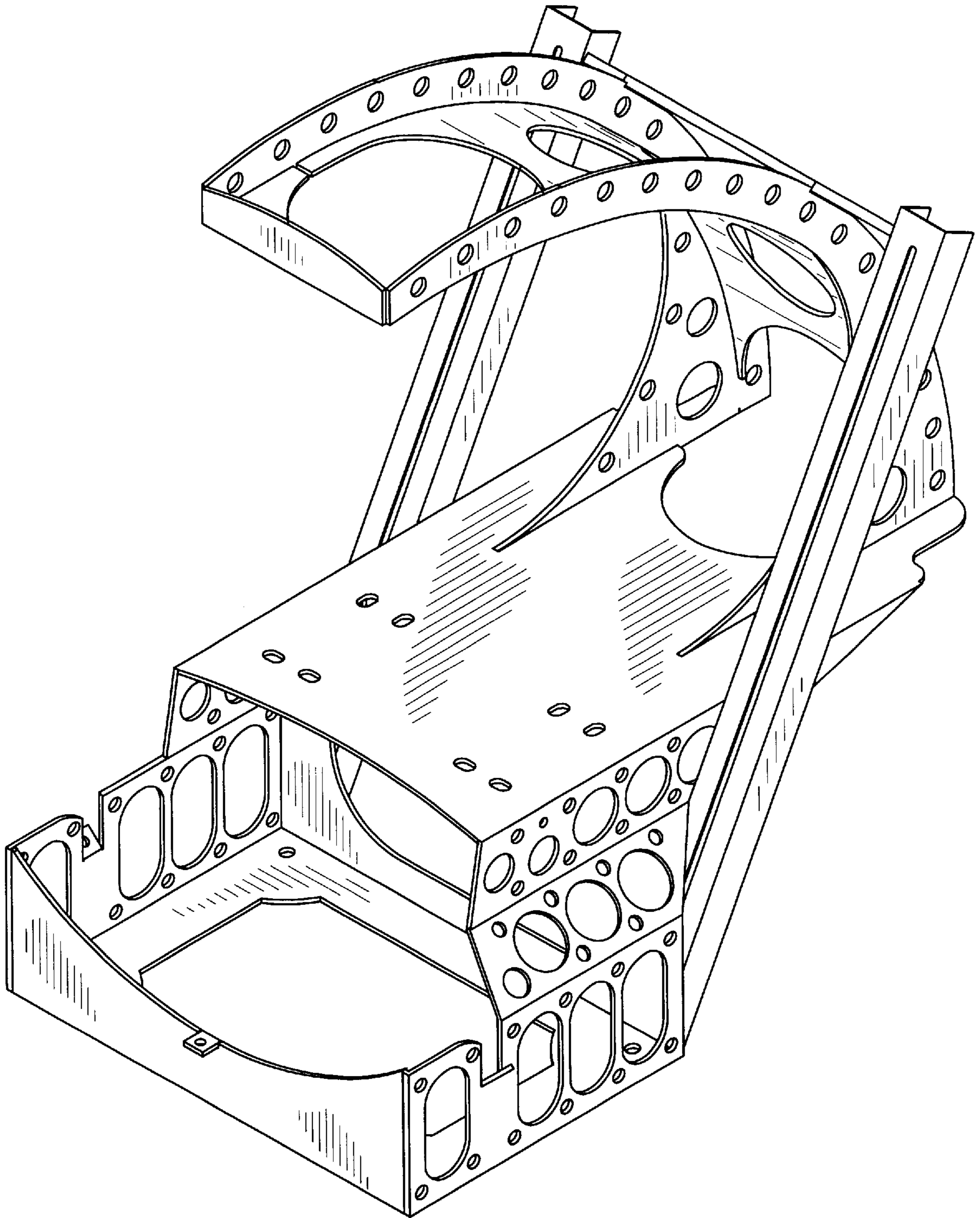
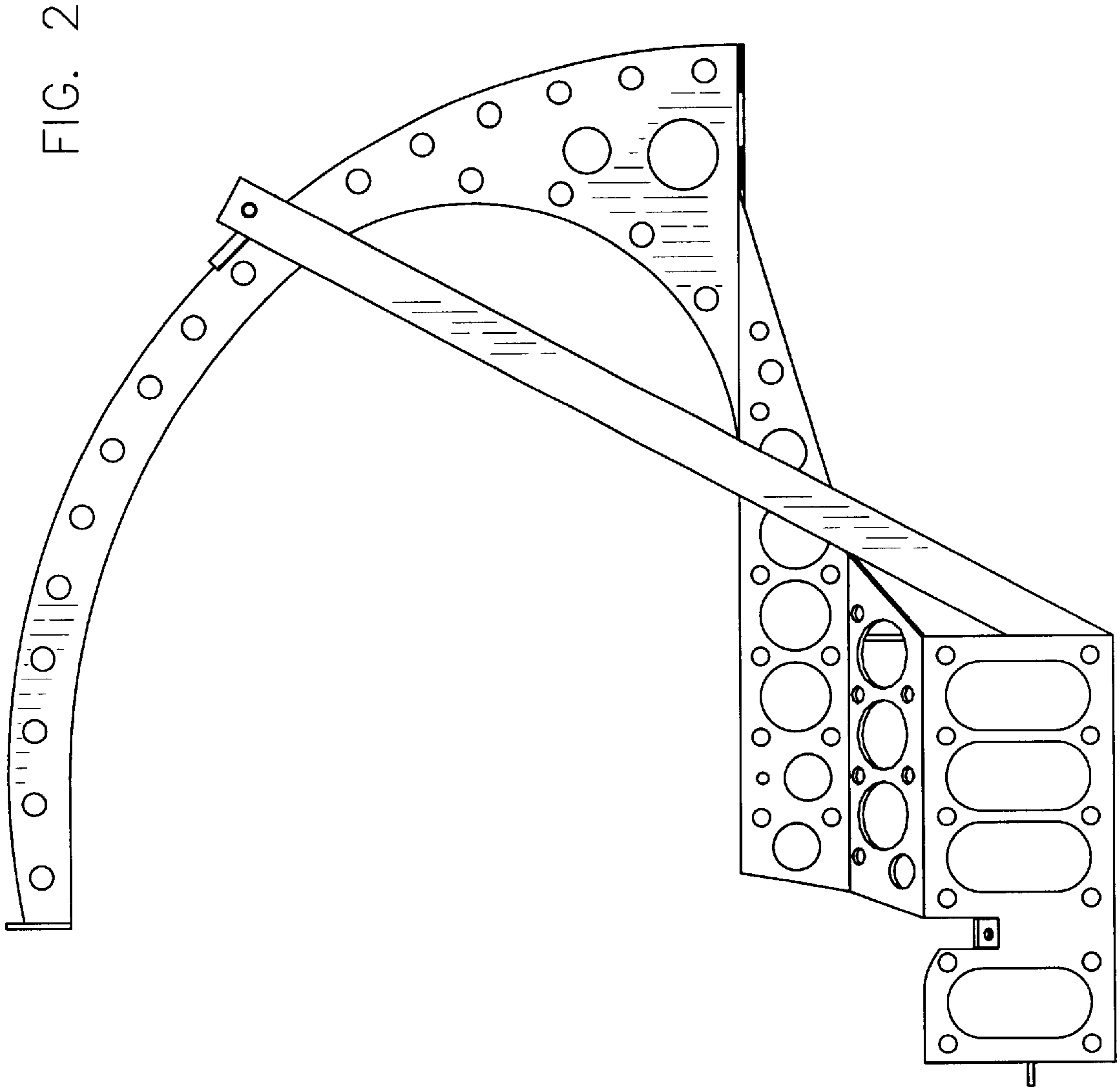


FIG. 1



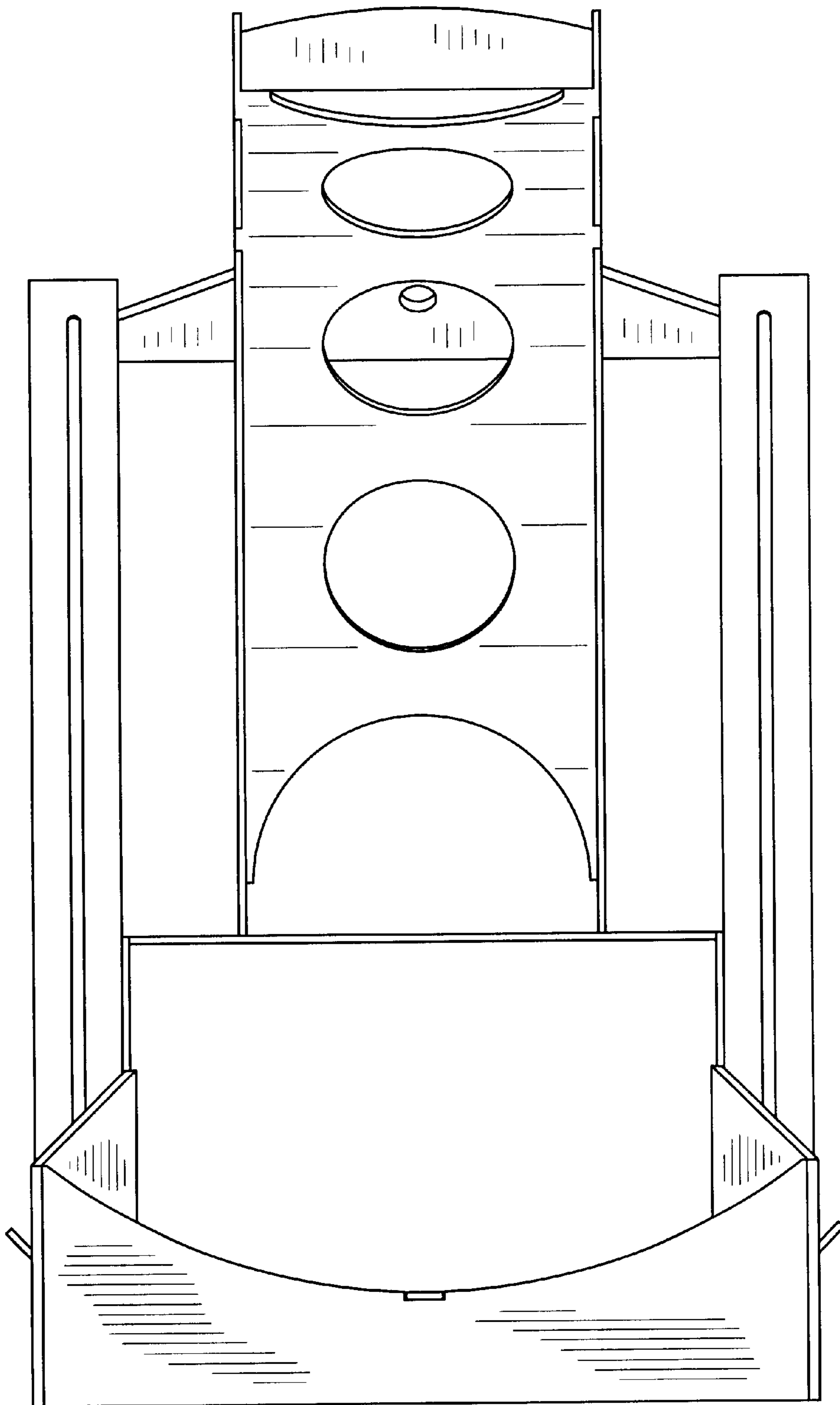


FIG. 3

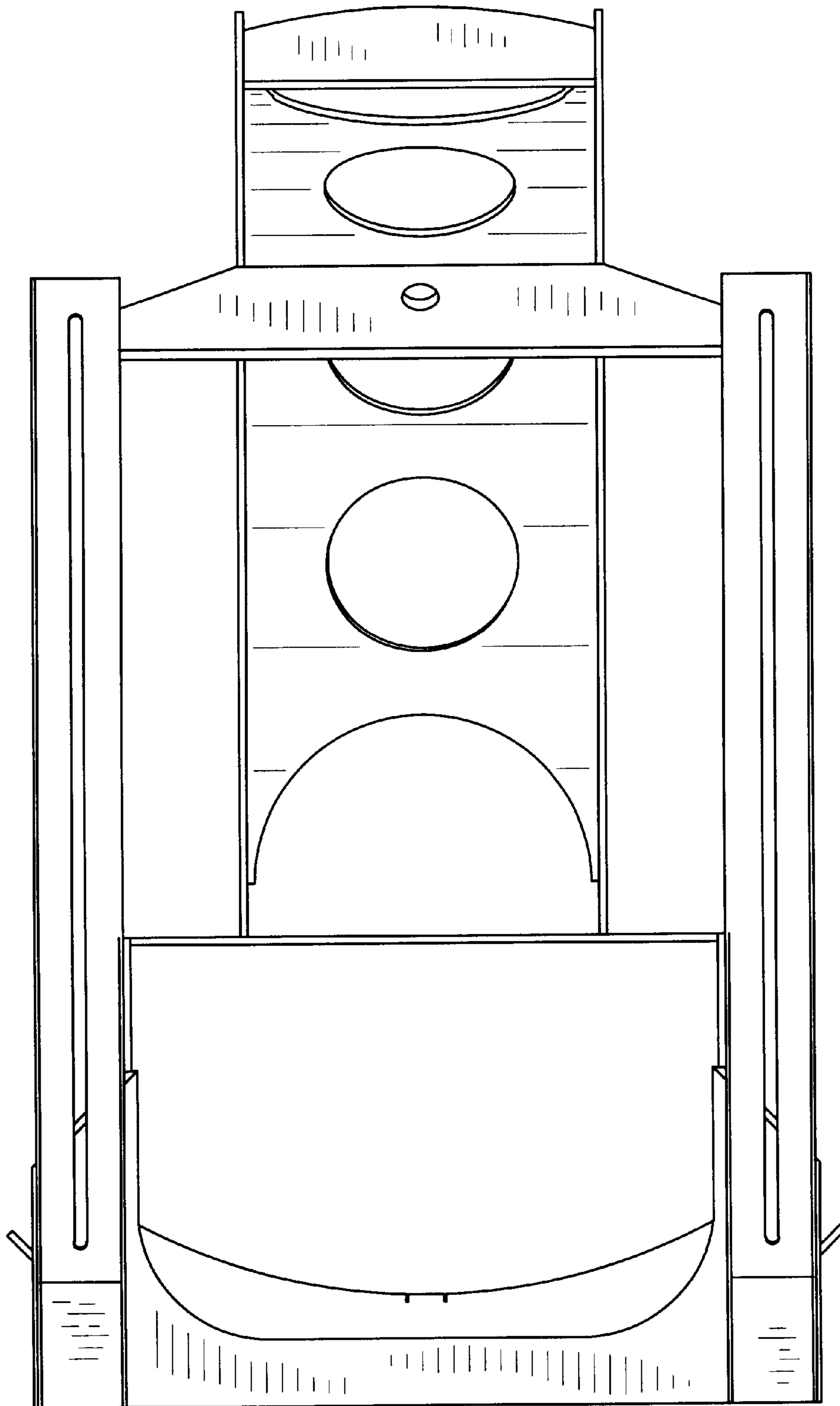


FIG. 4

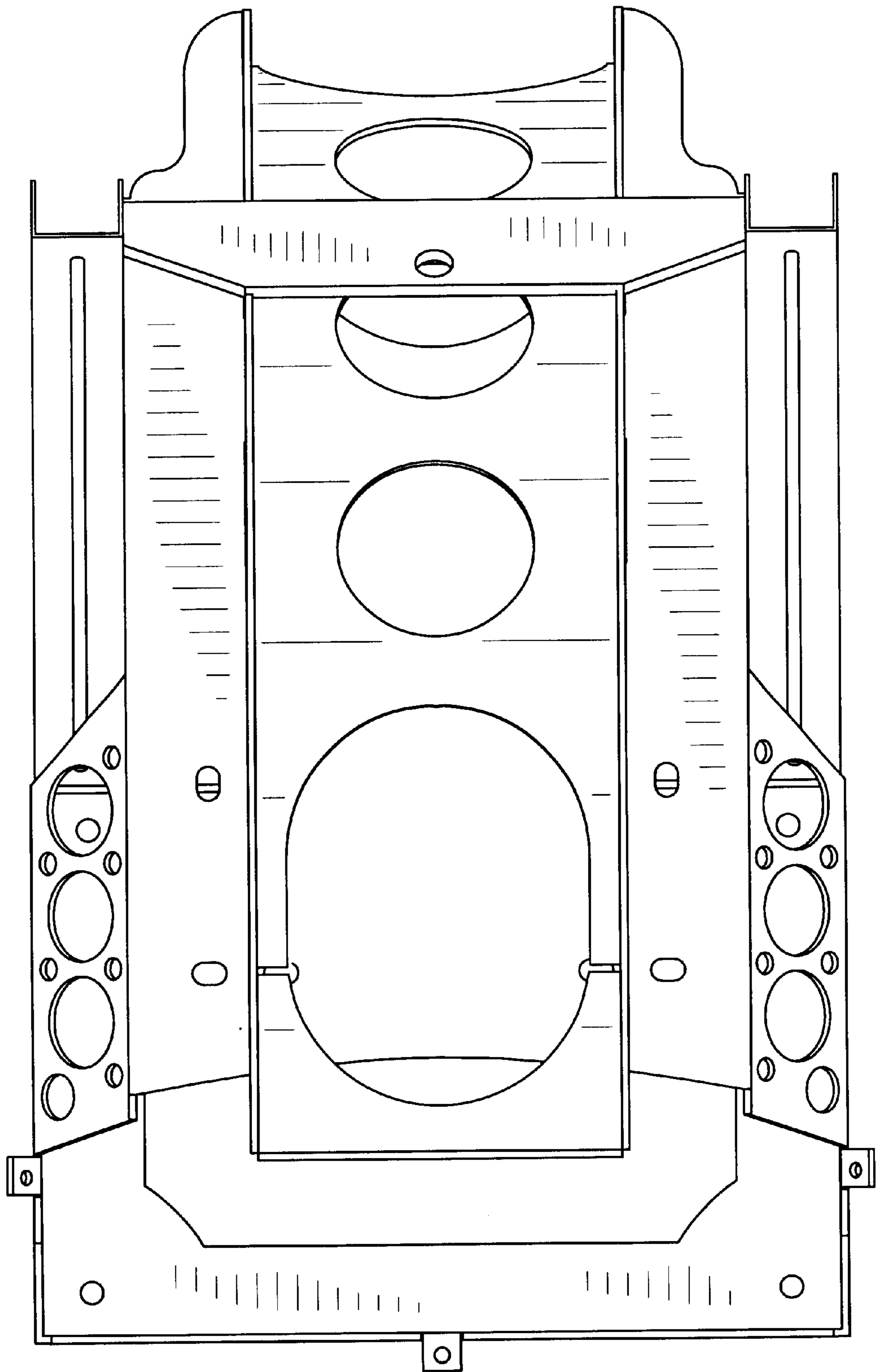


FIG. 5

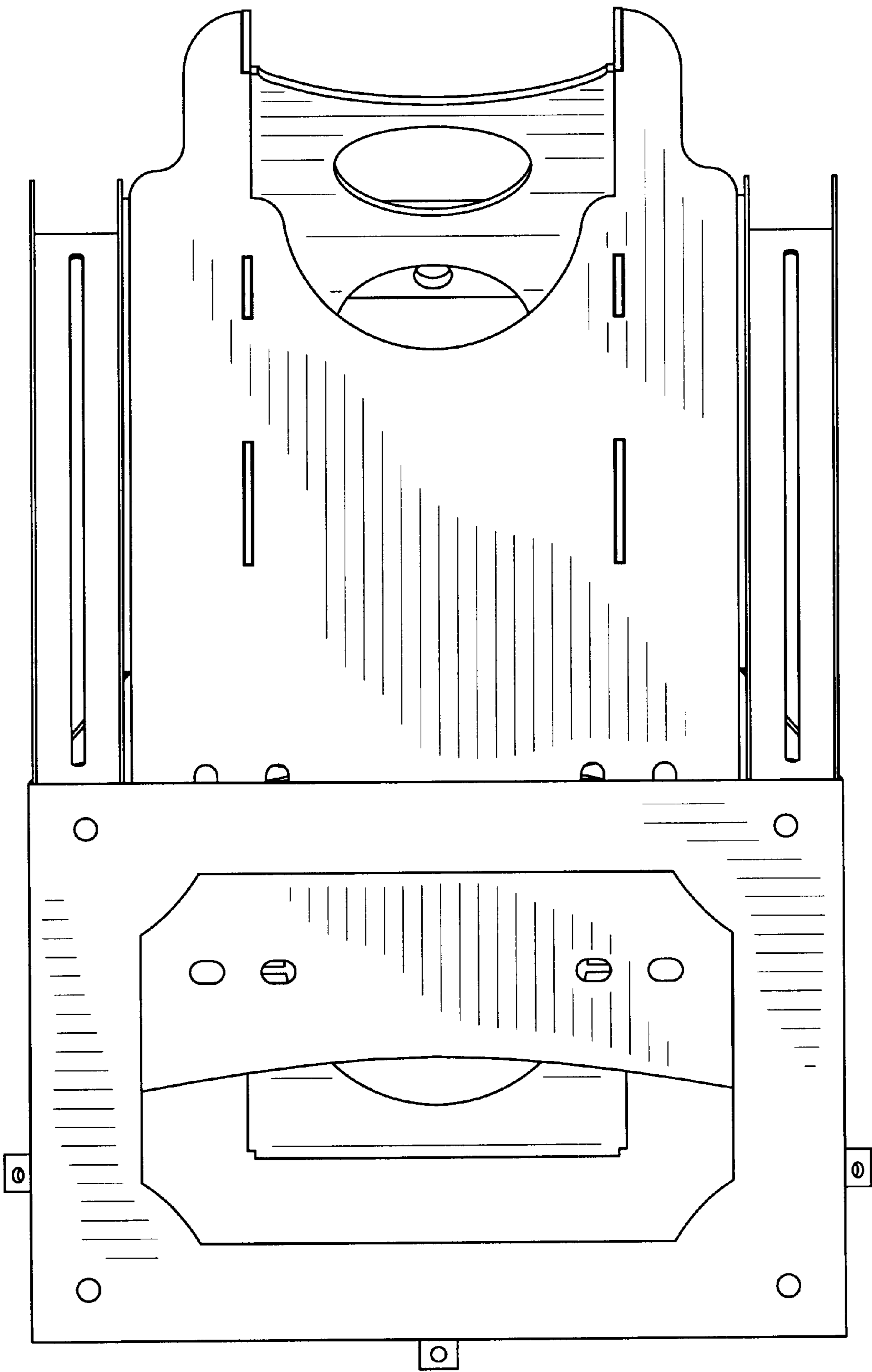


FIG. 6