



US00D484587S

(12) **United States Design Patent**  
**Bucher et al.**

(10) **Patent No.:** **US D484,587 S**

(45) **Date of Patent:** **\*\* Dec. 30, 2003**

(54) **CEILING FAN**

D426,879 S \* 6/2000 Gajewski ..... D23/411  
D462,756 S \* 9/2002 Liu ..... D23/377

(75) Inventors: **John C. Bucher**, Ft. Lauderdale, FL  
(US); **Charles E. Bucher**, Valrico, FL  
(US)

\* cited by examiner

(73) Assignee: **King of Fans, Inc.**, Ft. Lauderdale, FL  
(US)

*Primary Examiner*—Lisa Lichtenstein

(74) *Attorney, Agent, or Firm*—Holland & Knight LLP

(\*\*) Term: **14 Years**

(57) **CLAIM**

The ornamental design for a ceiling fan, as shown.

(21) Appl. No.: **29/173,090**

**DESCRIPTION**

(22) Filed: **Dec. 20, 2002**

(51) **LOC (7) Cl.** ..... **23-04**

(52) **U.S. Cl.** ..... **D23/377**

(58) **Field of Search** ..... D23/411, 413,  
D23/377, 379, 385; 416/5

FIG. 1 is a front elevation view of our new design for a ceiling fan;

FIG. 2 is a back elevation view thereof;

FIG. 3 is a bottom plan view thereof; and,

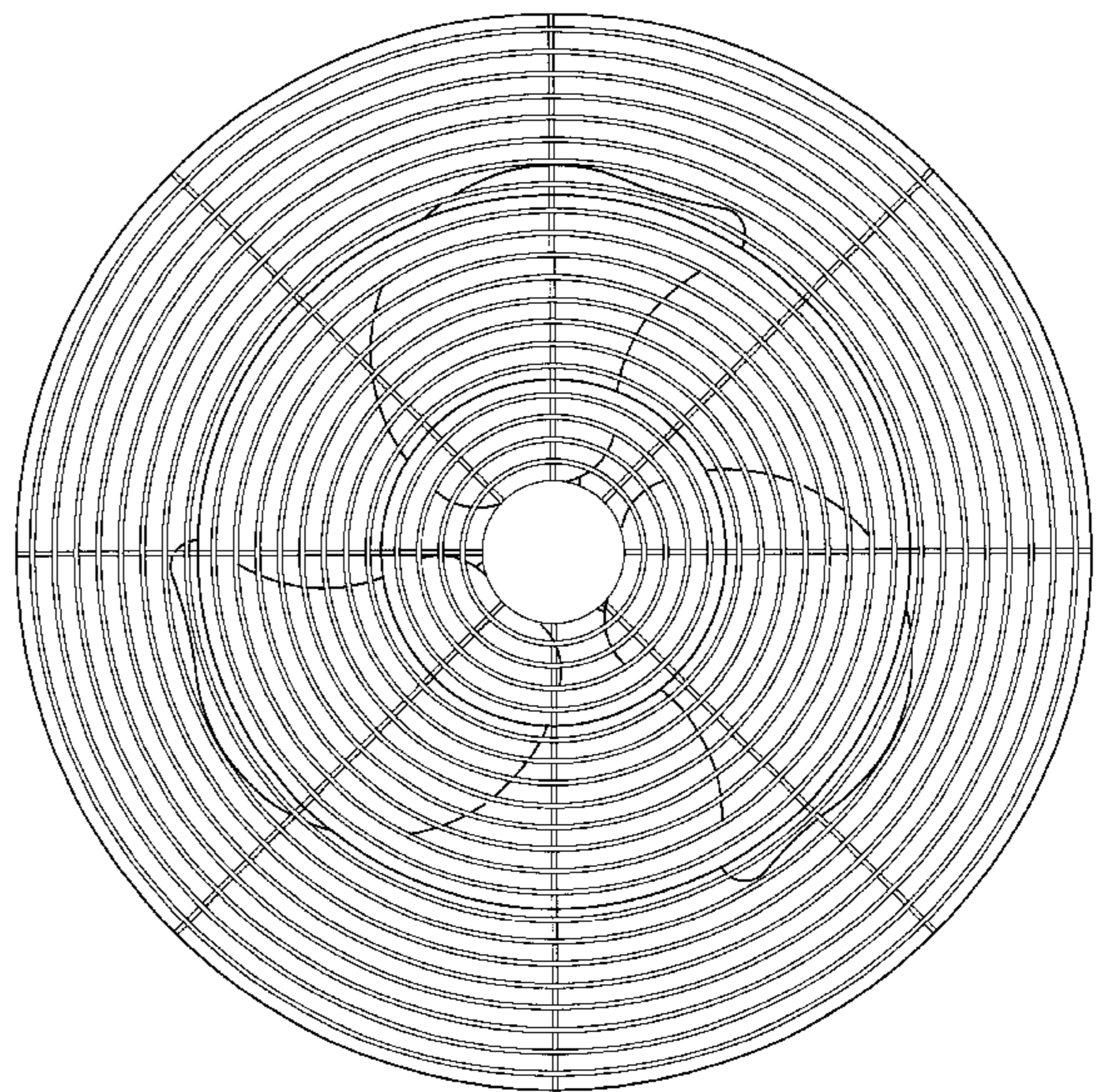
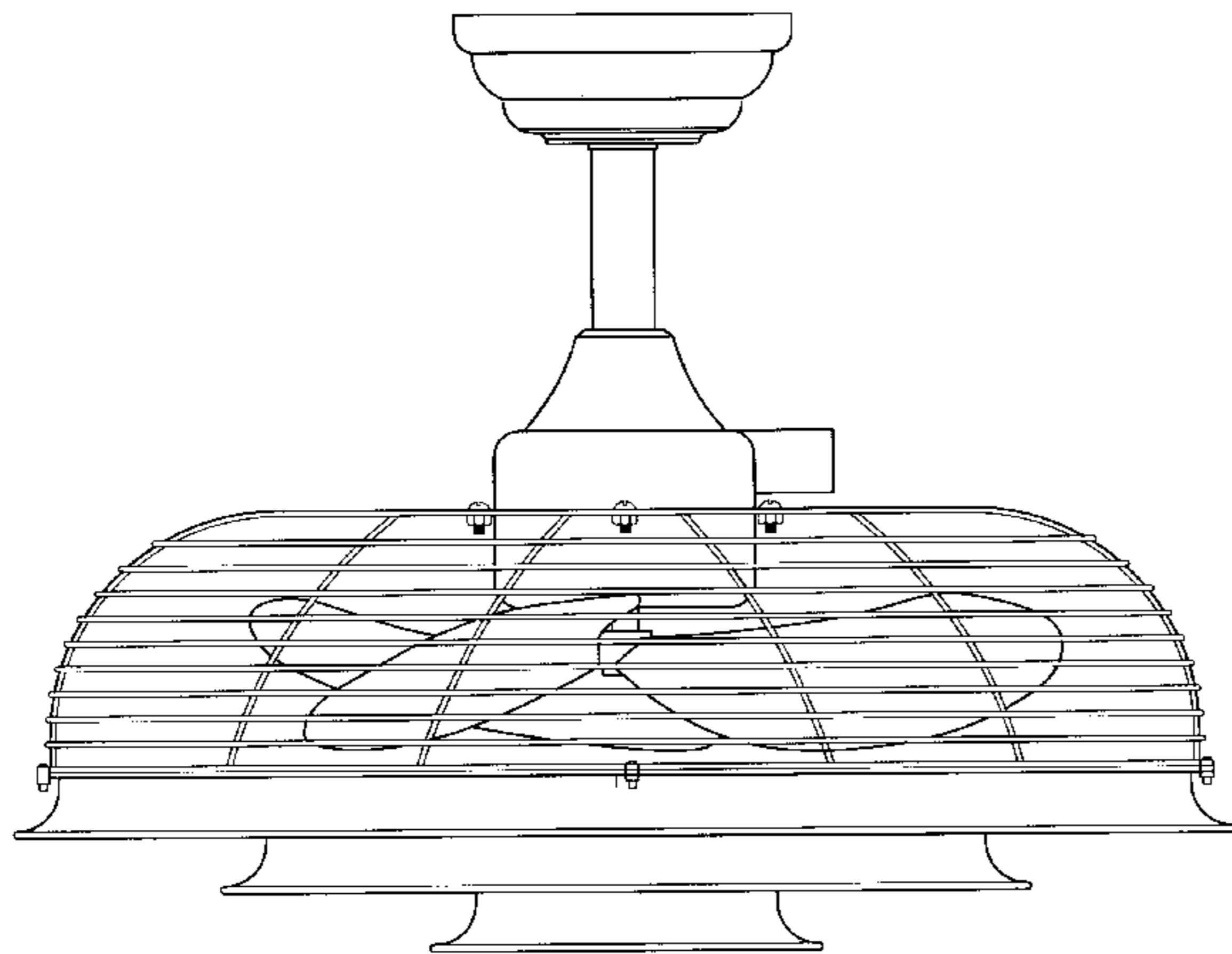
FIG. 4 is a top plan view thereof.

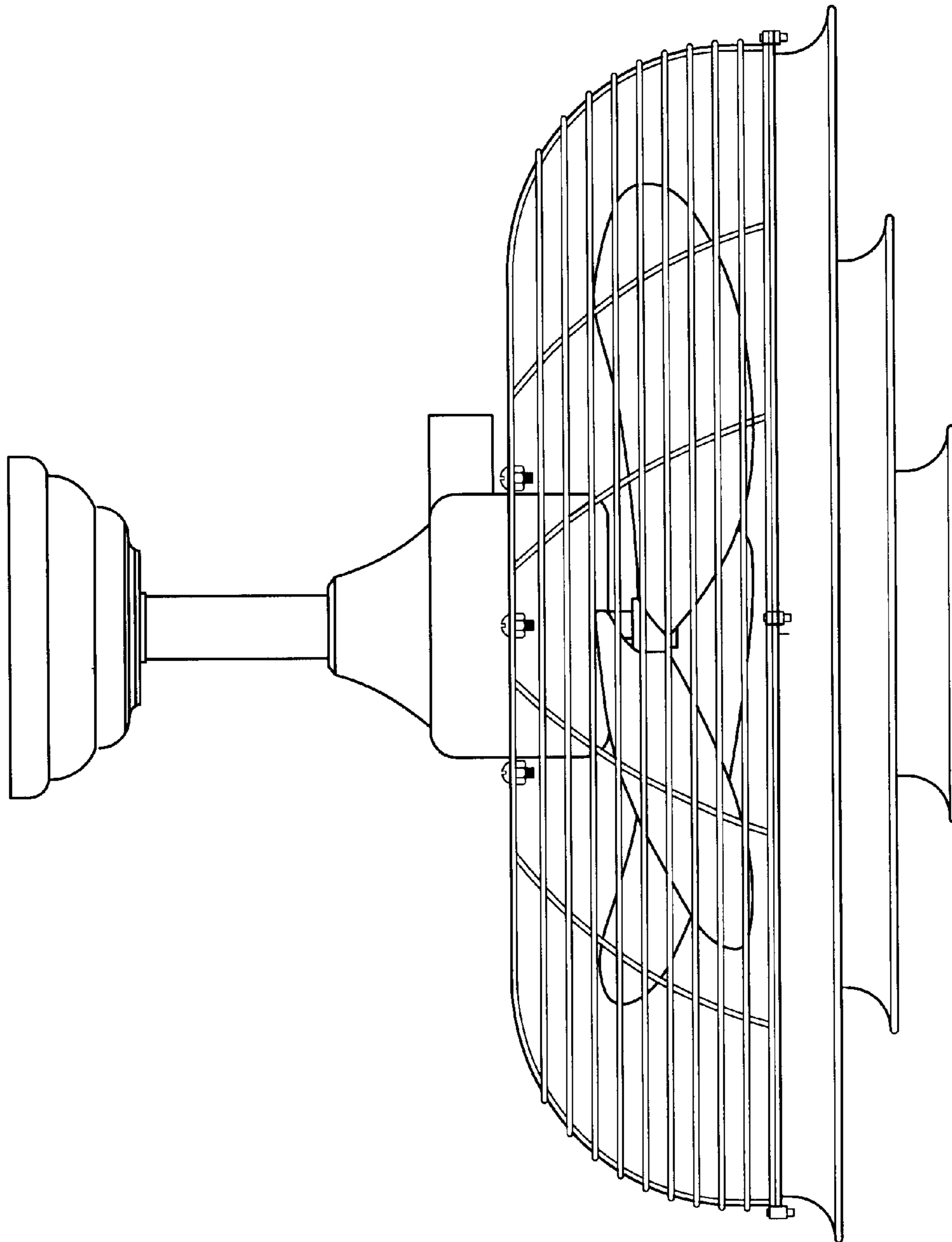
(56) **References Cited**

**U.S. PATENT DOCUMENTS**

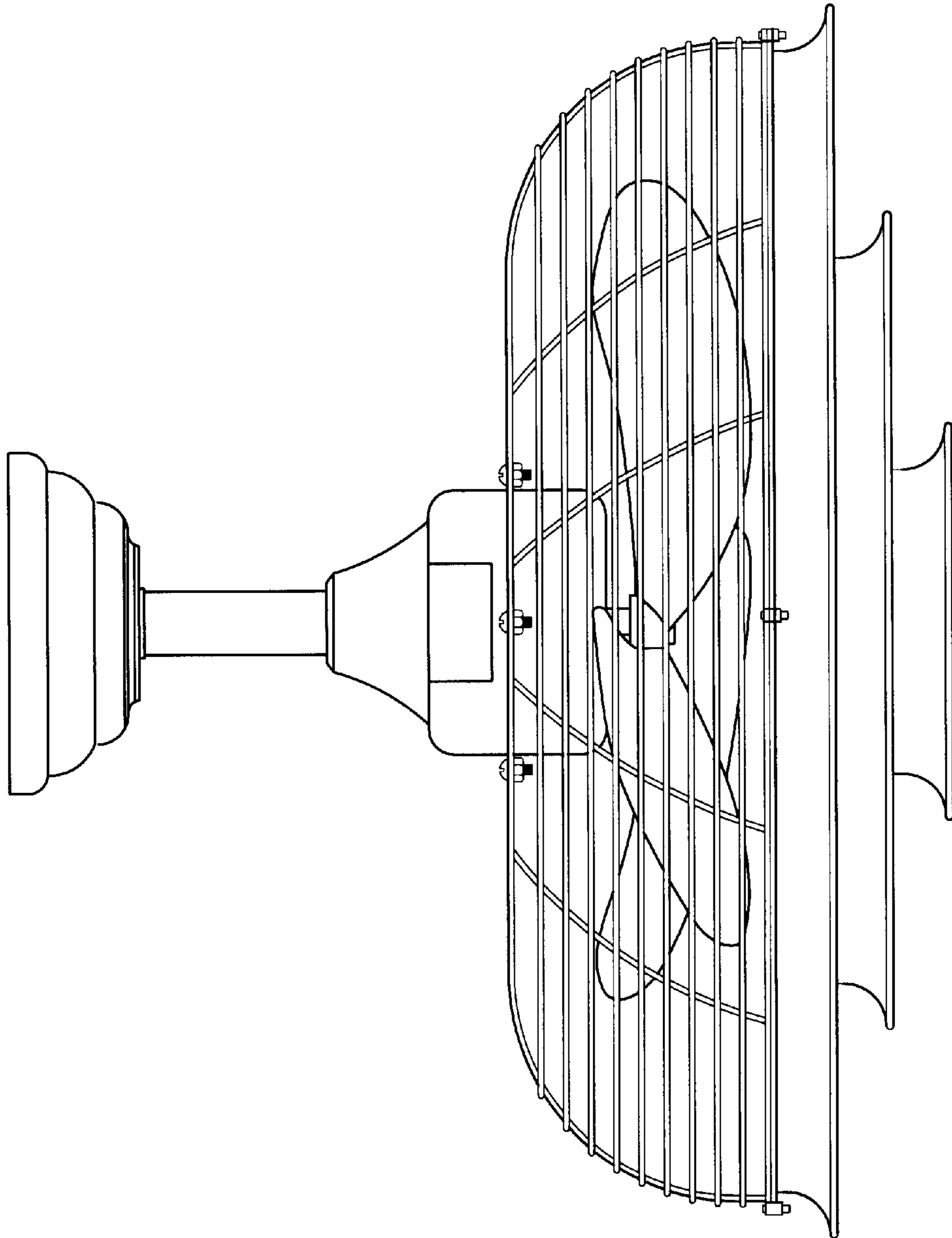
D411,295 S \* 6/1999 Evans ..... D23/411

**1 Claim, 4 Drawing Sheets**

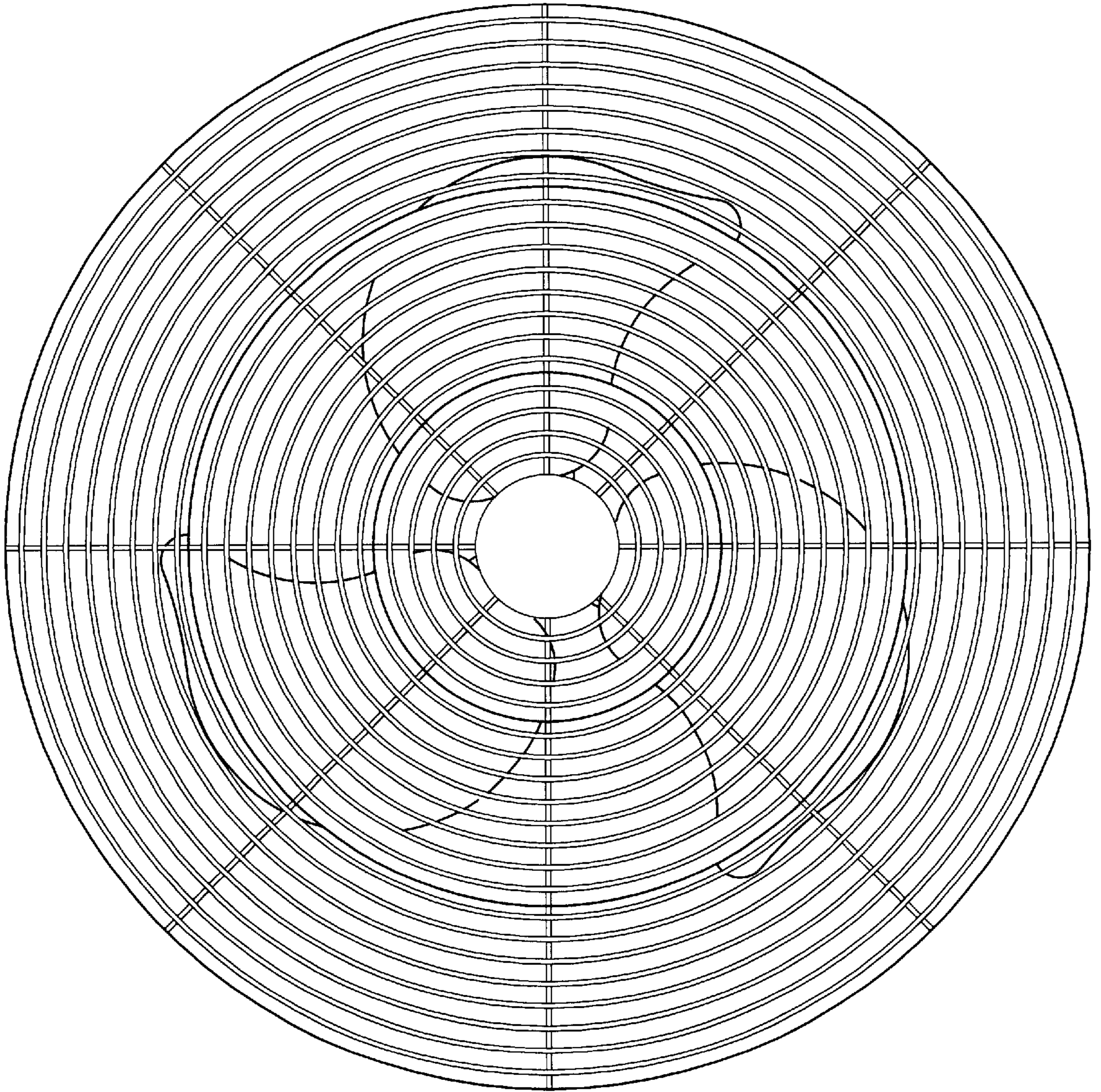




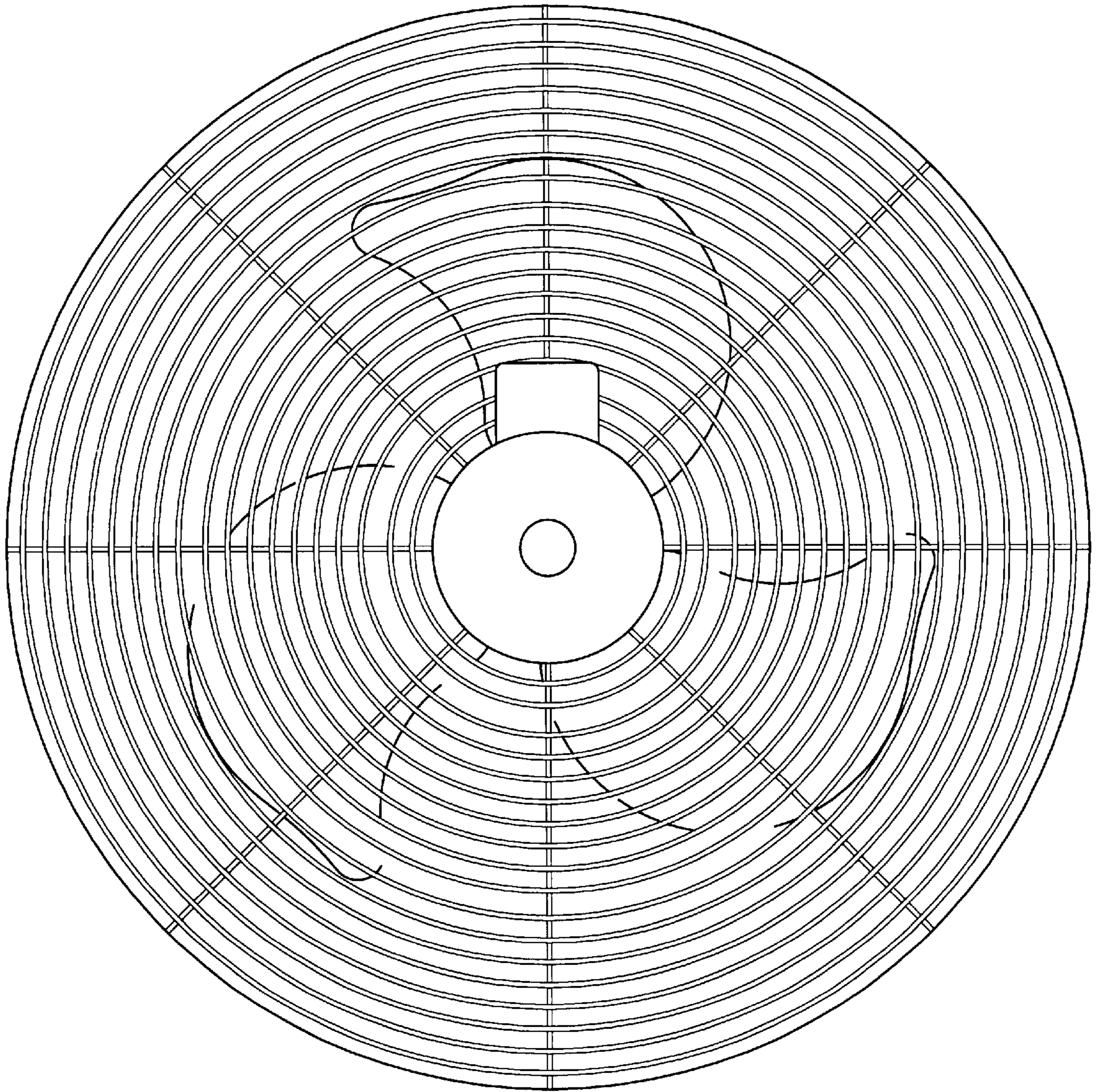
*FIG. 1*



*FIG. 2*



*FIG. 3*



*FIG. 4*