



US00D484586S

(12) **United States Design Patent**
Intravatola

(10) **Patent No.:** **US D484,586 S**

(45) **Date of Patent:** **** Dec. 30, 2003**

(54) **BLOWER**

(75) Inventor: **Lawrence Shane Intravatola**, Virginia Beach, VA (US)

(73) Assignee: **Air Systems, Inc.**, Chesapeake, VA (US)

(**) Term: **14 Years**

(21) Appl. No.: **29/183,645**

(22) Filed: **Jun. 12, 2003**

(51) **LOC (7) Cl.** **23-04**

(52) **U.S. Cl.** **D23/370**

(58) **Field of Search** D23/383, 370,
D23/412; 416/247 R, 246, 63; 415/213.1,
220, 126; 417/423.1, 423.14

(56) **References Cited**

U.S. PATENT DOCUMENTS

- D192,622 S * 4/1962 Wallace D23/383
- D314,619 S * 2/1991 Beavers et al. D23/383
- 6,340,283 B1 * 1/2002 Hedger et al. 416/247 R

* cited by examiner

Primary Examiner—Lisa Lichtenstein

(74) *Attorney, Agent, or Firm*—Brinks Hofer Gilson & Lione; Daniel B. Schein, Esq.

(57) **CLAIM**

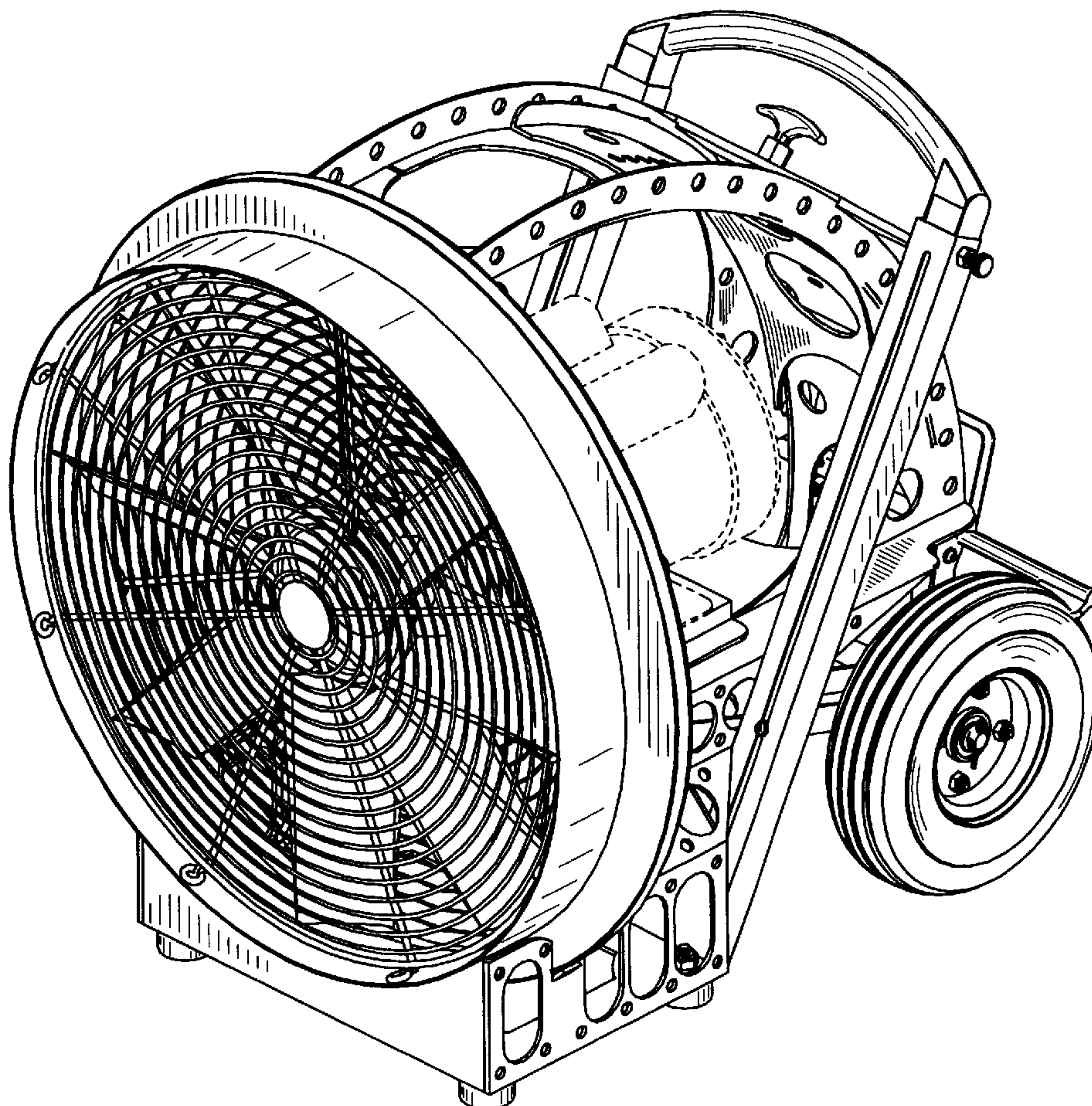
The ornamental design for a blower, as shown and described.

DESCRIPTION

FIG. 1 is a front perspective view of a preferred embodiment of a blower with a motor shown in broken lines; FIG. 2 a rear perspective view of the blower in FIG. 1; FIG. 3 is a left side elevated view of the blower shown in FIG. 1, with the right side view being a mirror image thereof; FIG. 4 is a front elevated view of the blower shown in FIG. 1; FIG. 5 is a rear elevated view of the blower shown in FIG. 1; FIG. 6 is a top plan view of the blower shown in FIG. 1; and, FIG. 7 is a bottom plan view of the blower shown in FIG. 1.

The broken lines showing the motor, or portions thereof, in FIGS. 1–7 are for illustrative or environmental purposes only and do not form any part of the claimed design.

1 Claim, 7 Drawing Sheets



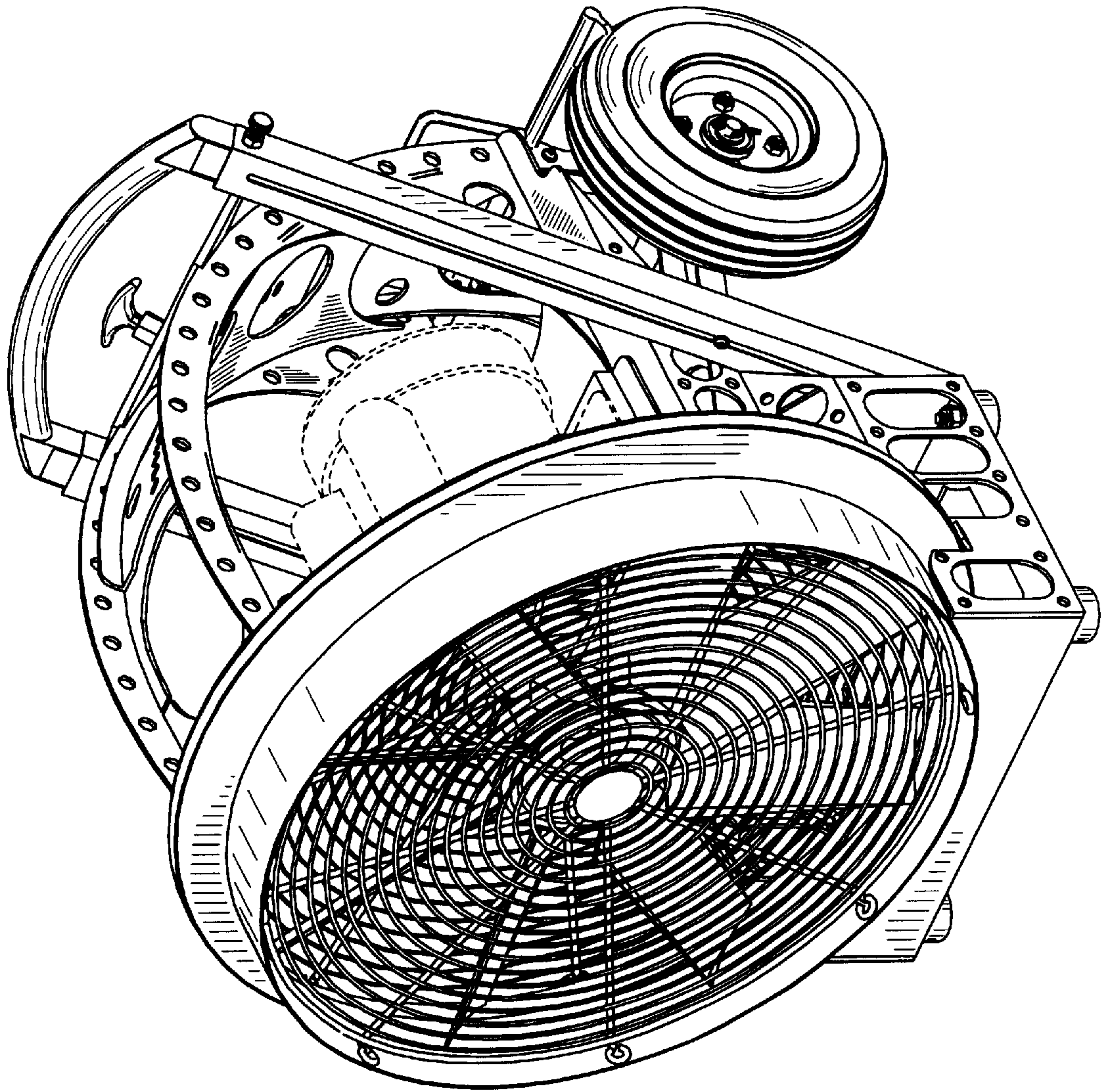


FIG. 1

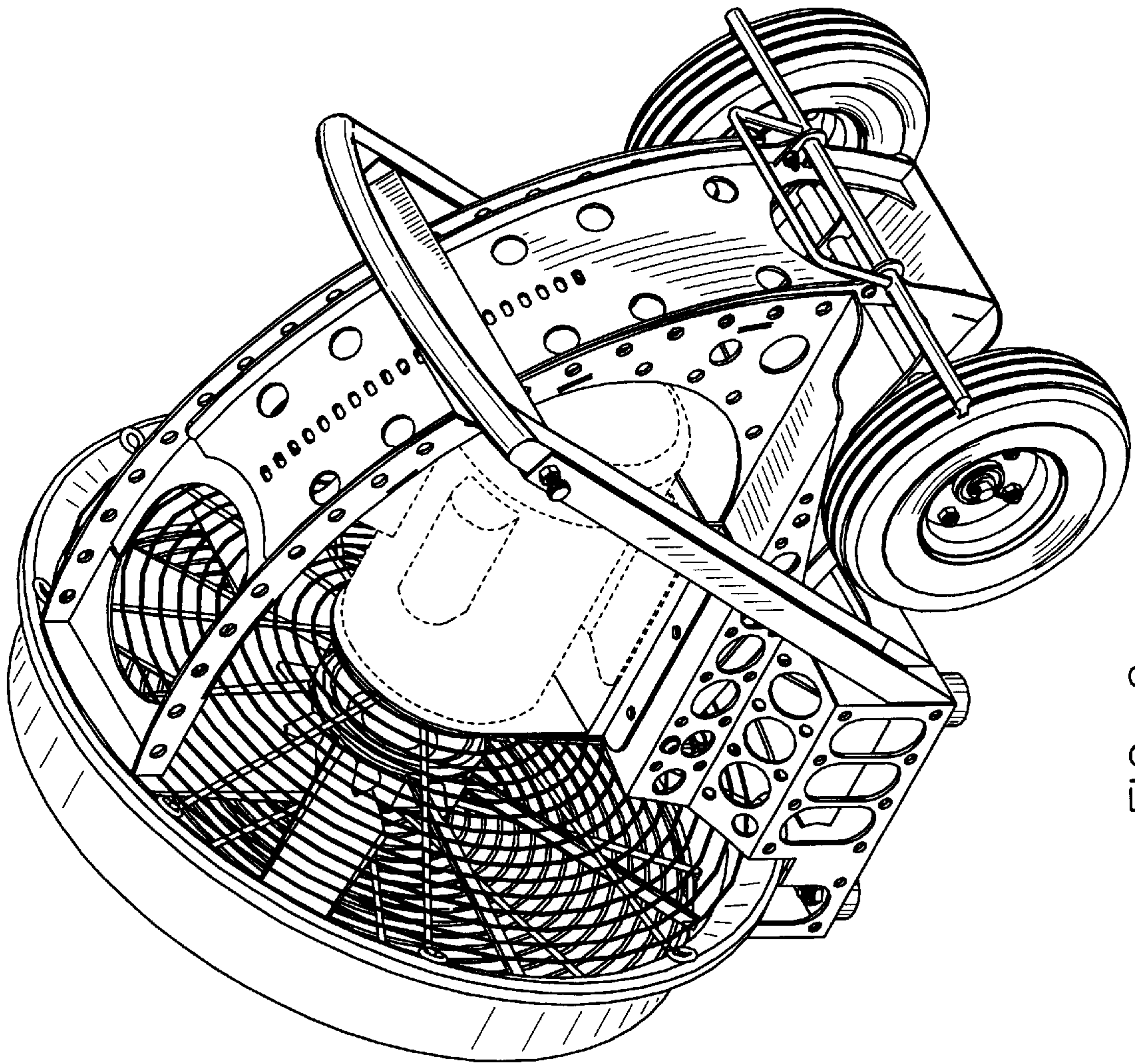


FIG. 2

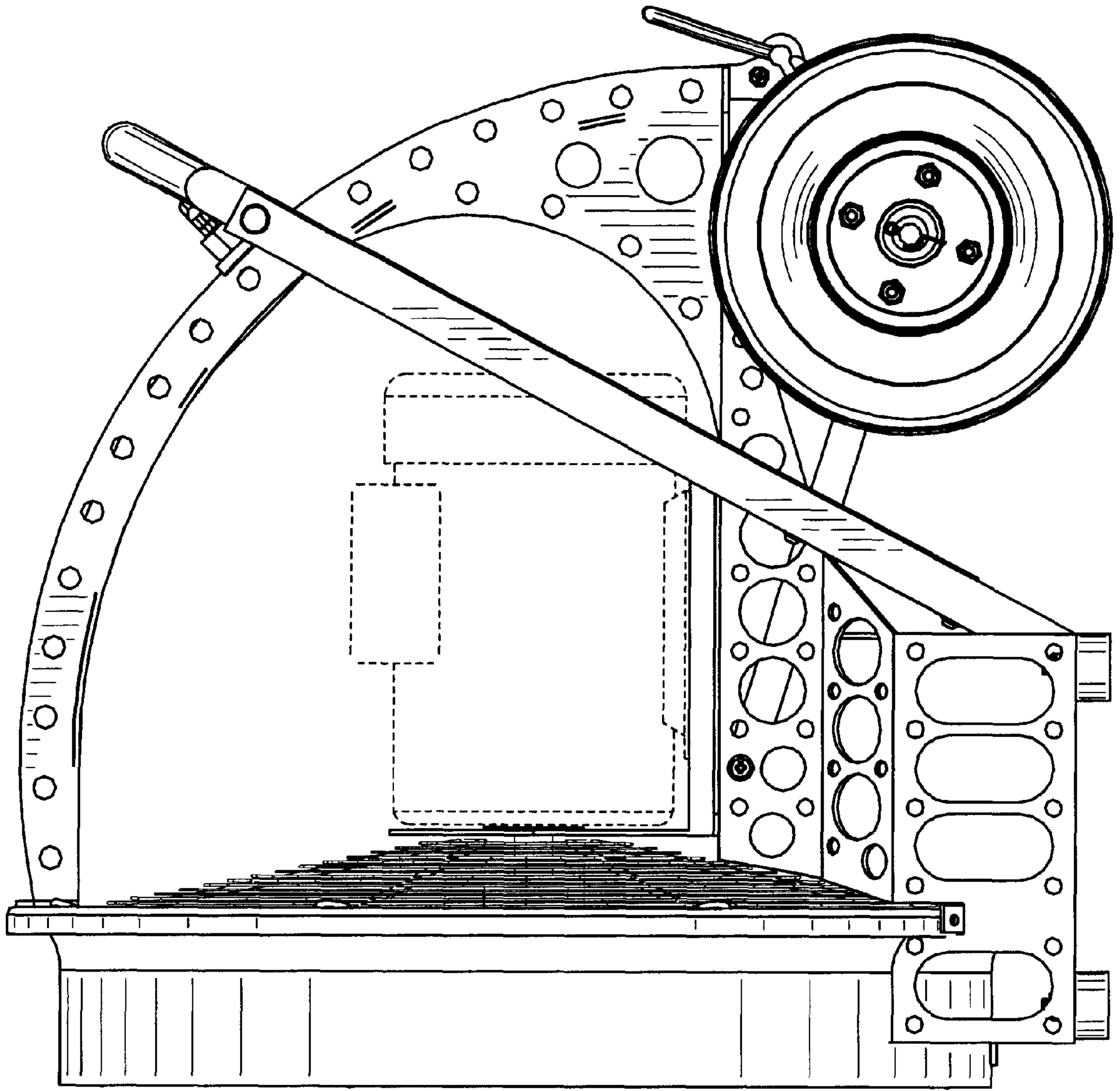


FIG. 3

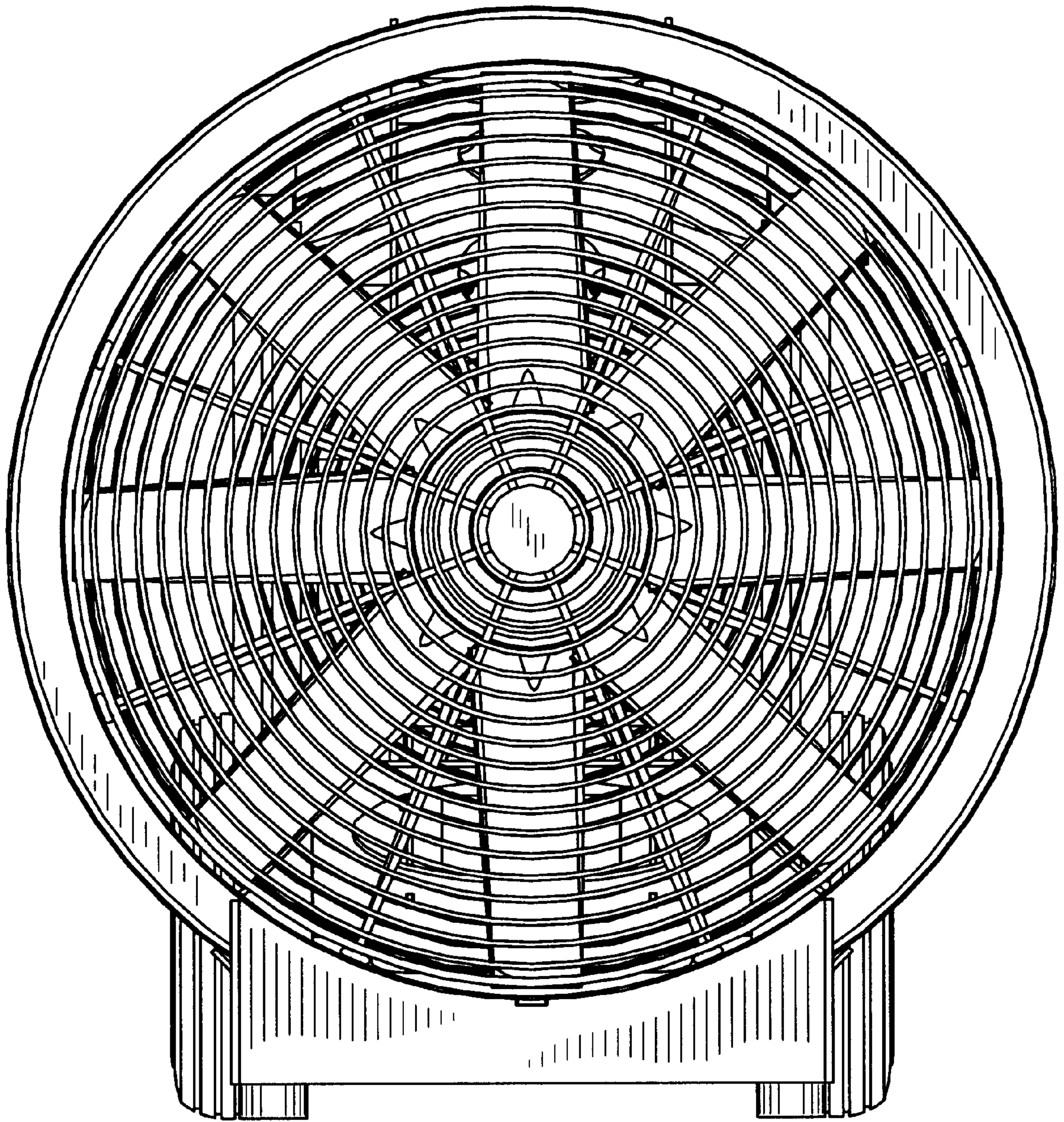


FIG. 4

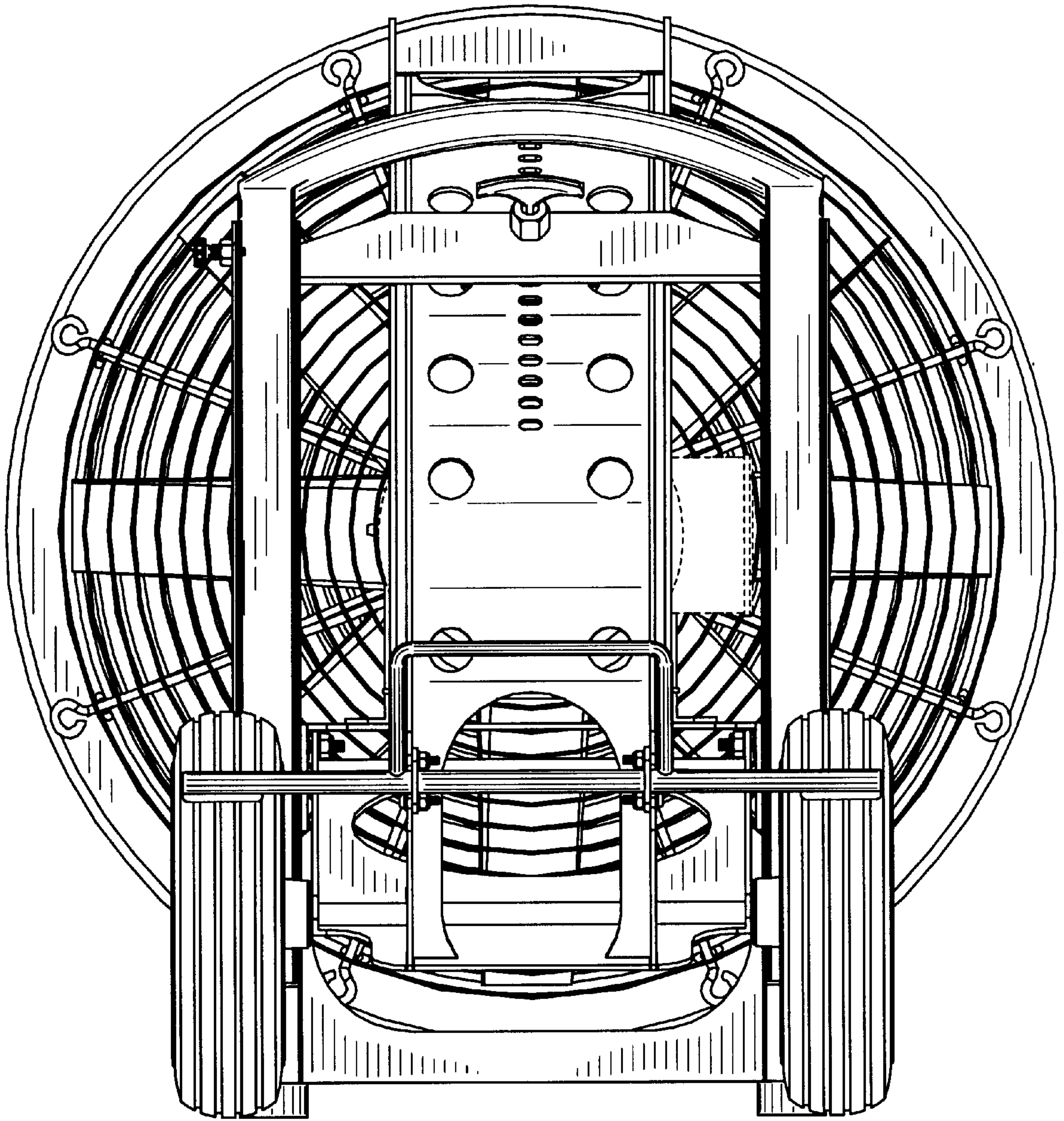


FIG. 5

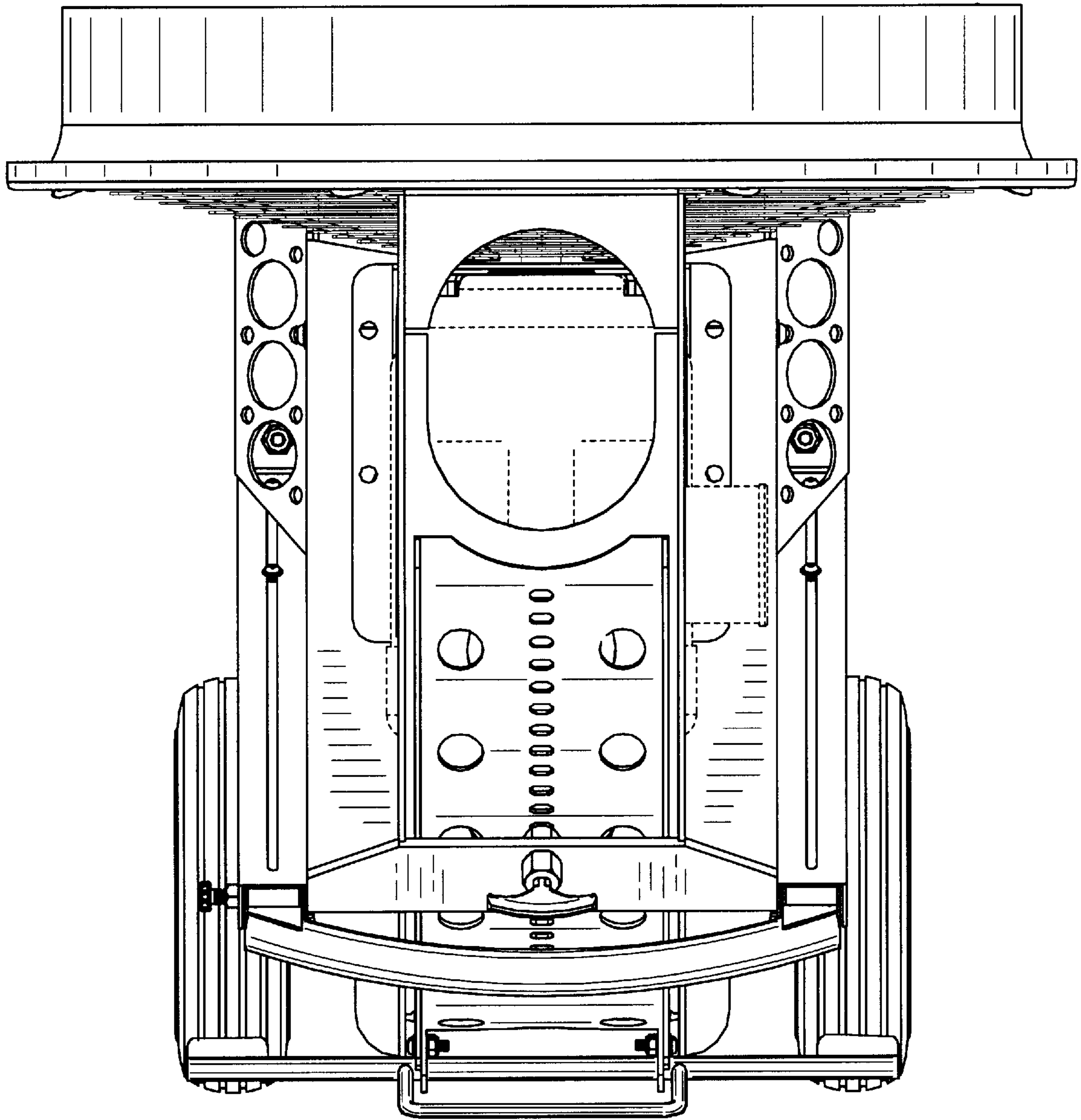


FIG. 6

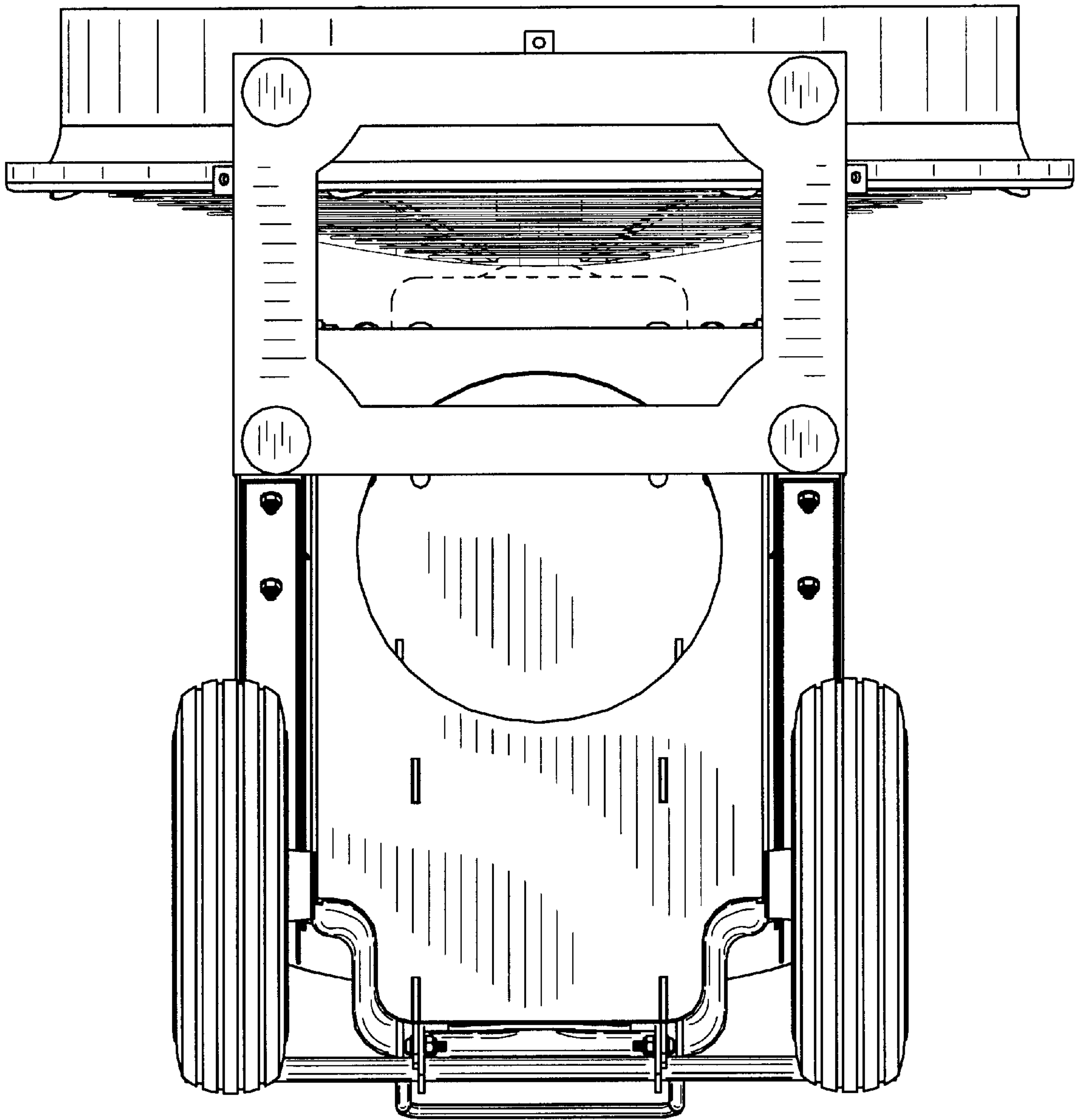


FIG. 7