



US00D484582S

(12) **United States Design Patent**
Smith

(10) **Patent No.:** **US D484,582 S**

(45) **Date of Patent:** **** Dec. 30, 2003**

(54) **COVER FOR WATER CLOSET TANK**

D441,437 S 5/2001 McKeone D23/301
D451,175 S 11/2001 Smith D23/301

(75) Inventor: **Michael S. Smith**, Santa Monica, CA
(US)

OTHER PUBLICATIONS

(73) Assignee: **Kallista, Inc.**, Kohler, WI (US)

Copy of Ann Sacks web page showing a "Memoirs" toilet.
1999 Kallista catalog ad, p. 52, showing a "Hampstead"
toilet.

(**) Term: **14 Years**

* cited by examiner

(21) Appl. No.: **29/177,182**

Primary Examiner—Louis S. Zarfaz
Assistant Examiner—Robert A. Delehanty

(22) Filed: **Mar. 5, 2003**

(74) *Attorney, Agent, or Firm*—Quarles & Brady LLP

Related U.S. Application Data

(57) **CLAIM**

(62) Division of application No. 29/158,585, filed on Apr. 4,
2002.

The ornamental design for a cover for water closet tank, as
shown and described.

(51) **LOC (7) Cl.** **23-02**

DESCRIPTION

(52) **U.S. Cl.** **D23/313**

(58) **Field of Search** D23/273-274,
D23/295, 301, 303, 309, 313; 4/661, 300,
328-329, 353

In a preferred embodiment, the nature of this product is as
a plumbing fixture which is primarily useful for covering the
tank of a water closet.

(56) **References Cited**

FIG. 1 is a right, top, front perspective view of a cover for
water closet tank embodying my new design;

U.S. PATENT DOCUMENTS

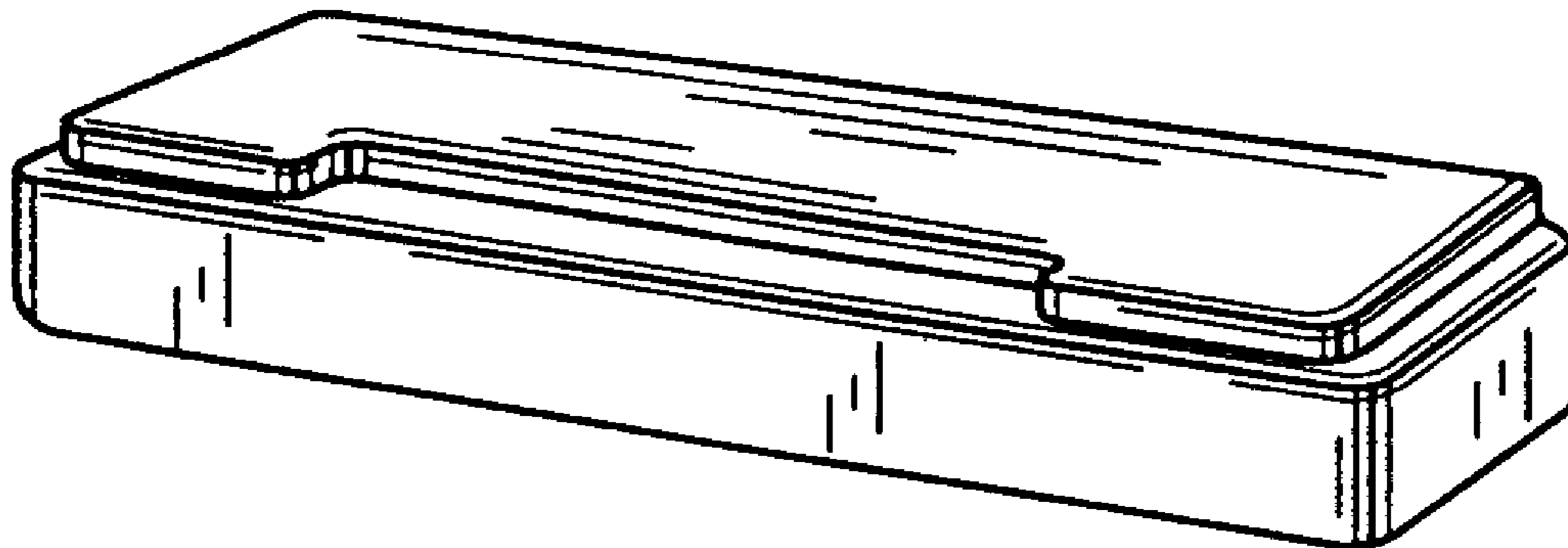
D39,322 S	*	5/1908	Crane	D23/313
D82,070 S	*	9/1930	Weaver	D23/313
D105,137 S		6/1937	Pieslak	D23/313
D125,902 S		3/1941	Pieslak	D23/301
D387,858 S		12/1997	McKeone	D23/301

FIG. 2 is a top plan view thereof;

FIG. 3 is a right side elevational view thereof, the left side
elevational view being a mirror image of the right side
shown; and,

FIG. 4 is a front elevational view thereof.

1 Claim, 1 Drawing Sheet



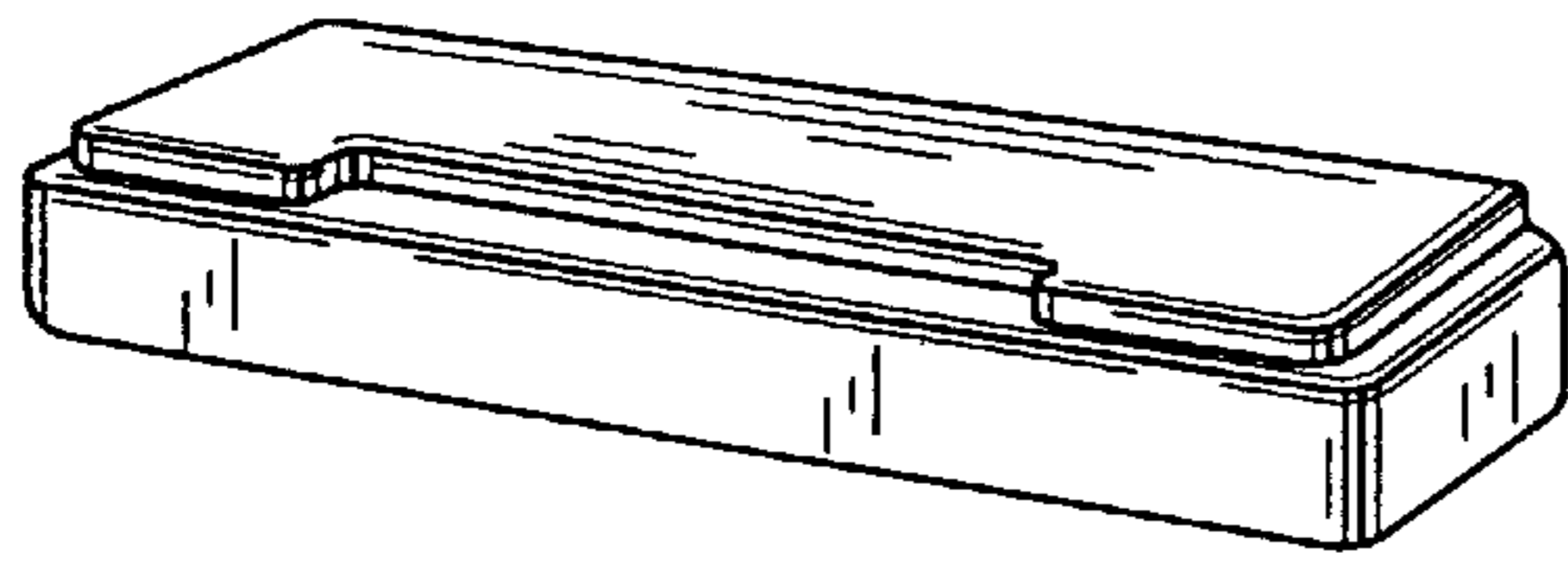


FIG. 1

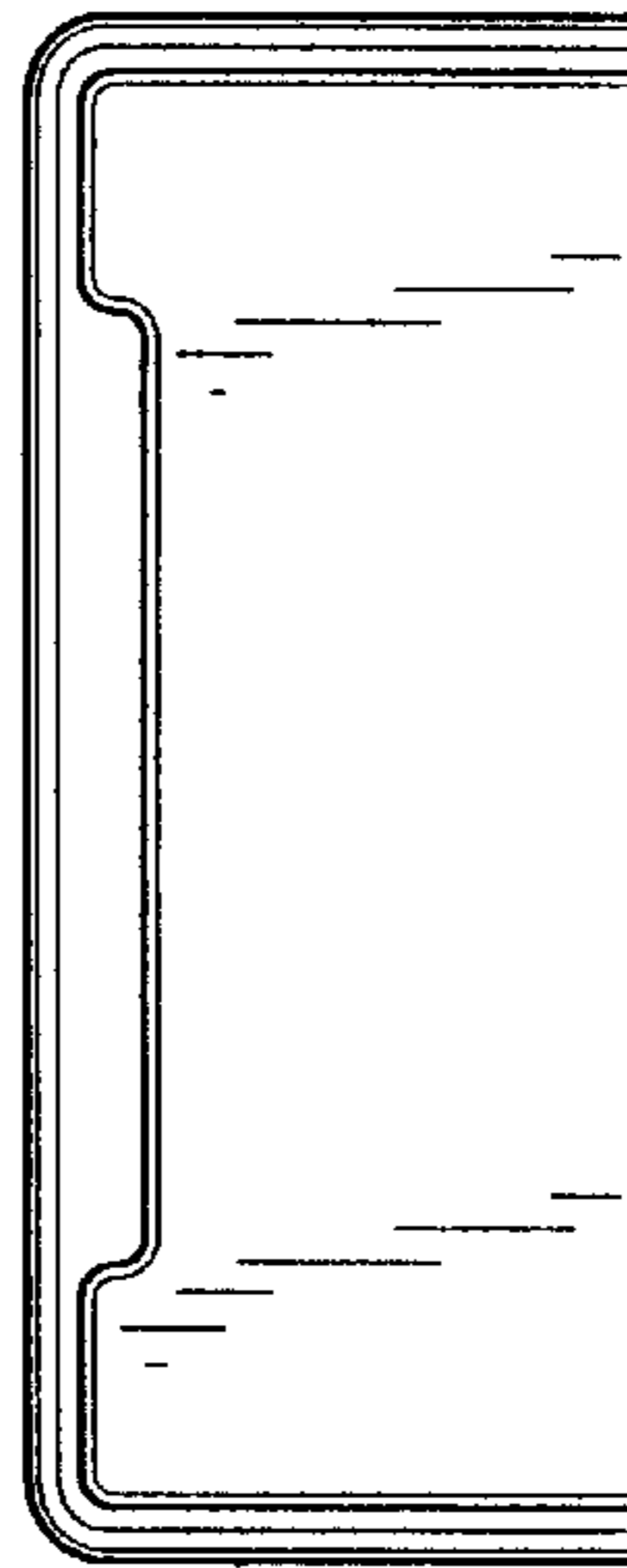


FIG. 2



FIG. 3

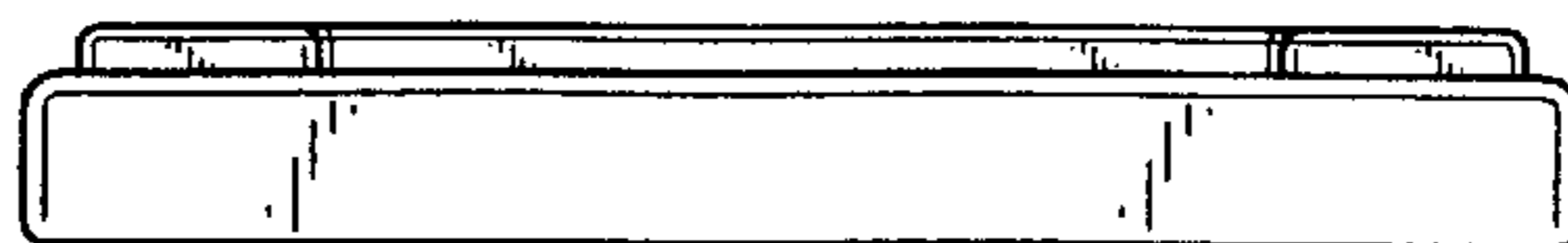


FIG. 4