



US00D484580S

(12) **United States Design Patent**
Fritz

(10) **Patent No.:** **US D484,580 S**

(45) **Date of Patent:** **** Dec. 30, 2003**

(54) **FLUSH TOILET**

(75) **Inventor:** **Michael B. Fritz, Dexter, MI (US)**

(73) **Assignee:** **Thetford Corporation, Ann Arbor, MI (US)**

(**) **Term:** **14 Years**

(21) **Appl. No.:** **29/171,811**

(22) **Filed:** **Nov. 30, 2002**

(51) **LOC (7) Cl.** **23-02**

(52) **U.S. Cl.** **D23/295**

(58) **Field of Search** **D23/273-274,**
D23/295-301, 303, 309, 311-313; 4/611,
667, 300, 328-329, 347, 348, 332, 353,
420, 440, 443-446, 449, 460, 217, 234,
237, 242.1, 902

(56) **References Cited**

U.S. PATENT DOCUMENTS

- 3,883,903 A * 5/1975 Broek et al. 4/440
- 3,932,901 A * 1/1976 Inui et al. 4/332
- 4,710,988 A * 12/1987 Stewart 4/440 X

- 5,060,320 A 10/1991 Sargent et al. 4/438
- D347,496 S * 5/1994 Wei D23/301
- D438,941 S 3/2001 Selina et al. D23/299

* cited by examiner

Primary Examiner—Louis S. Zarfes

Assistant Examiner—Robert A. Delehanty

(74) *Attorney, Agent, or Firm*—Harness, Dickey & Pierce, P.L.C.

(57) **CLAIM**

The ornamental design for a flush toilet, as shown and described.

DESCRIPTION

FIG. 1 is a front and side perspective of a flush toilet showing our new design;

FIG. 2 is a front elevation view thereof;

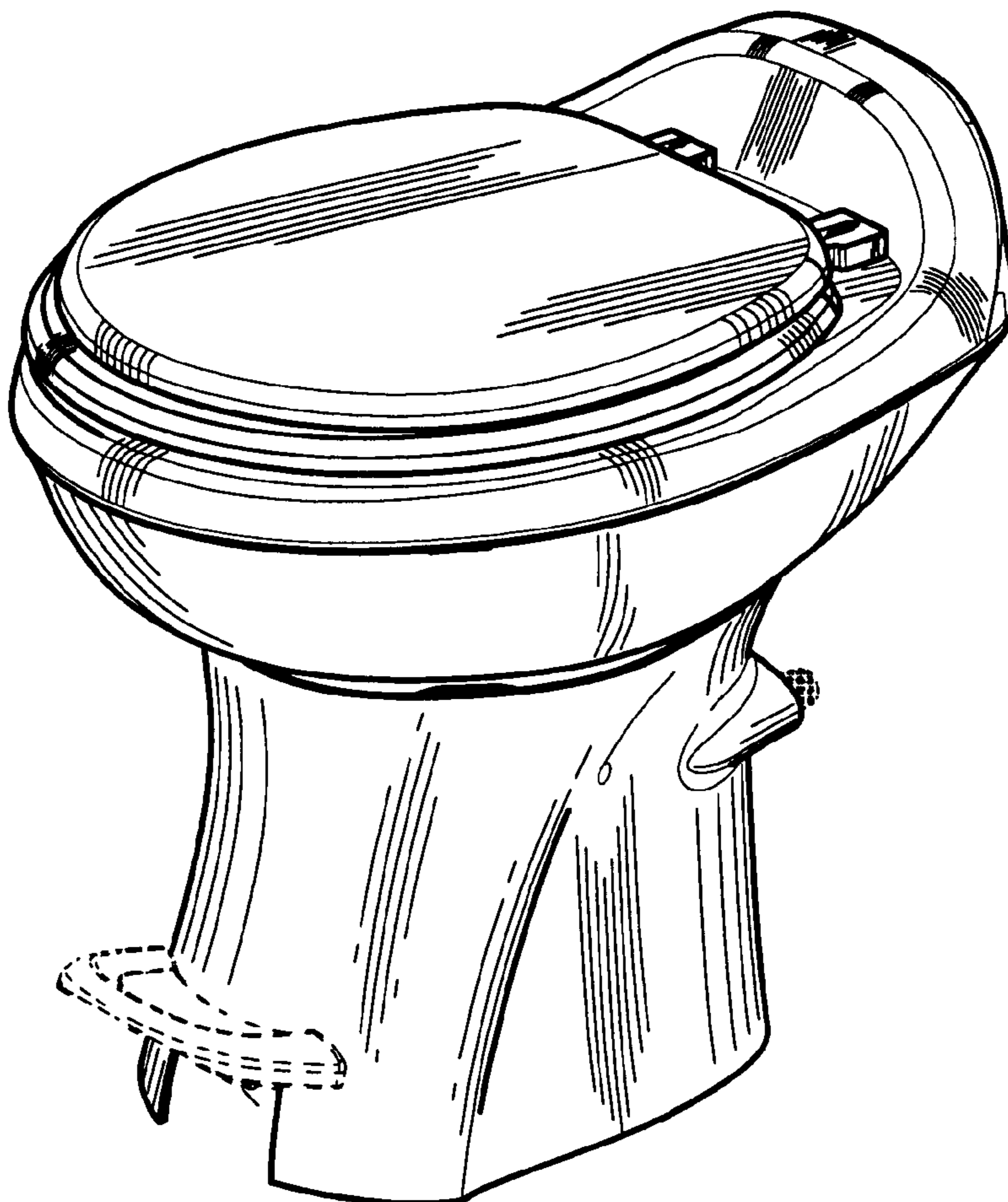
FIG. 3 is a right side elevation view thereof;

FIG. 4 is a left side elevation thereof; and,

FIG. 5 is a top plan view thereof.

The broken line showing of portions of the flush toilet is for illustrative purposes only and forms no part of the claimed design.

1 Claim, 3 Drawing Sheets



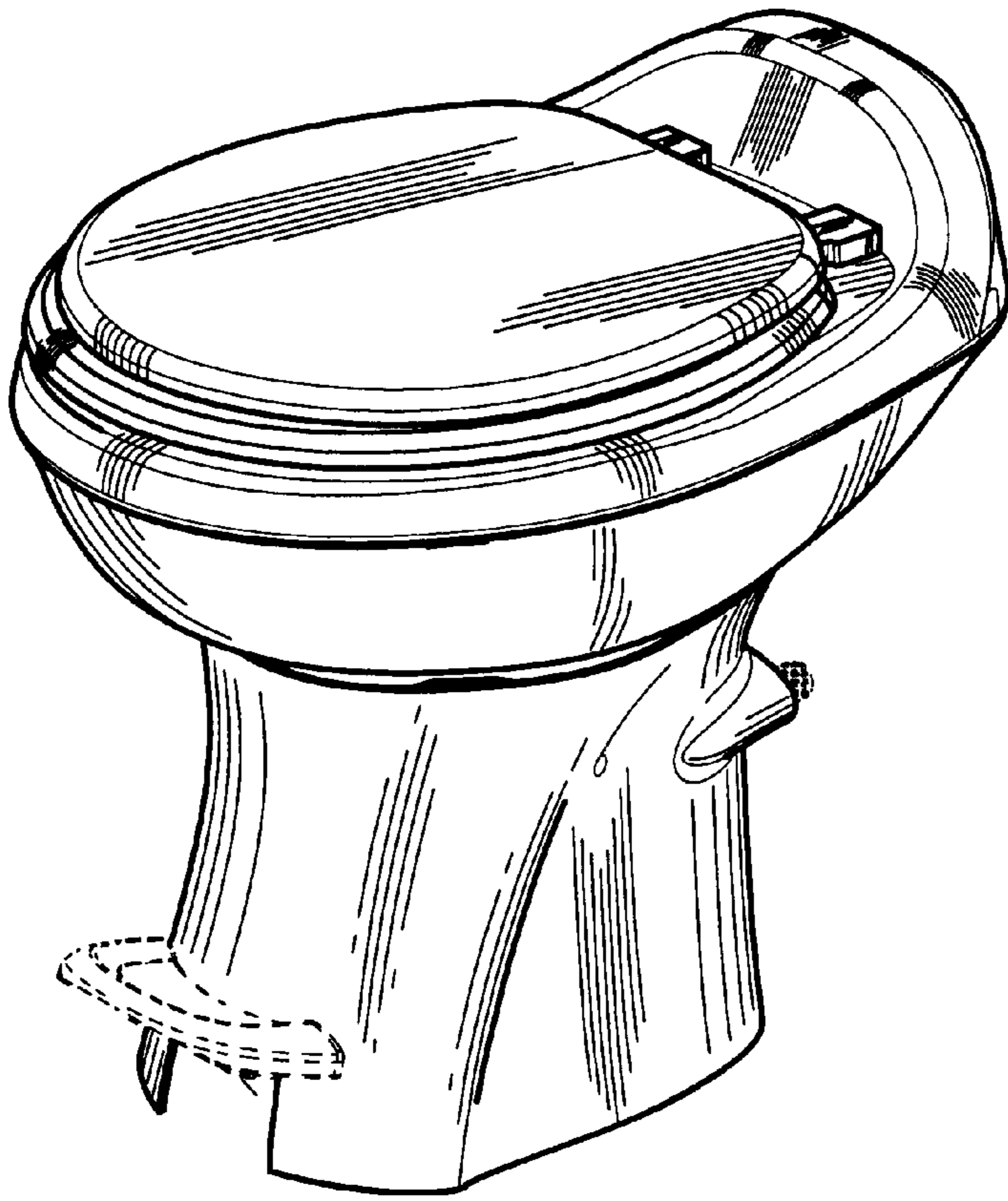


FIG - 1

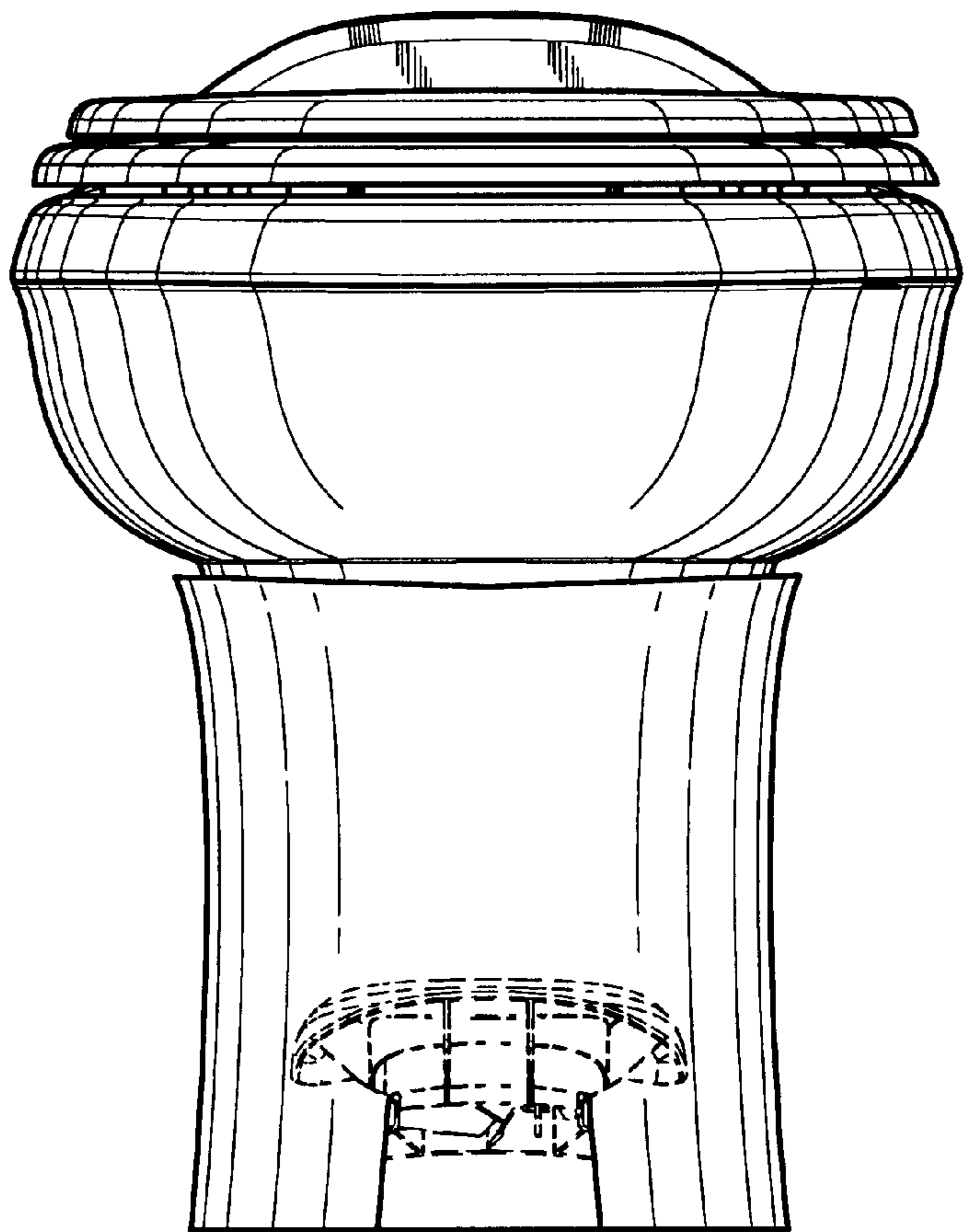


FIG - 2

FIG - 3

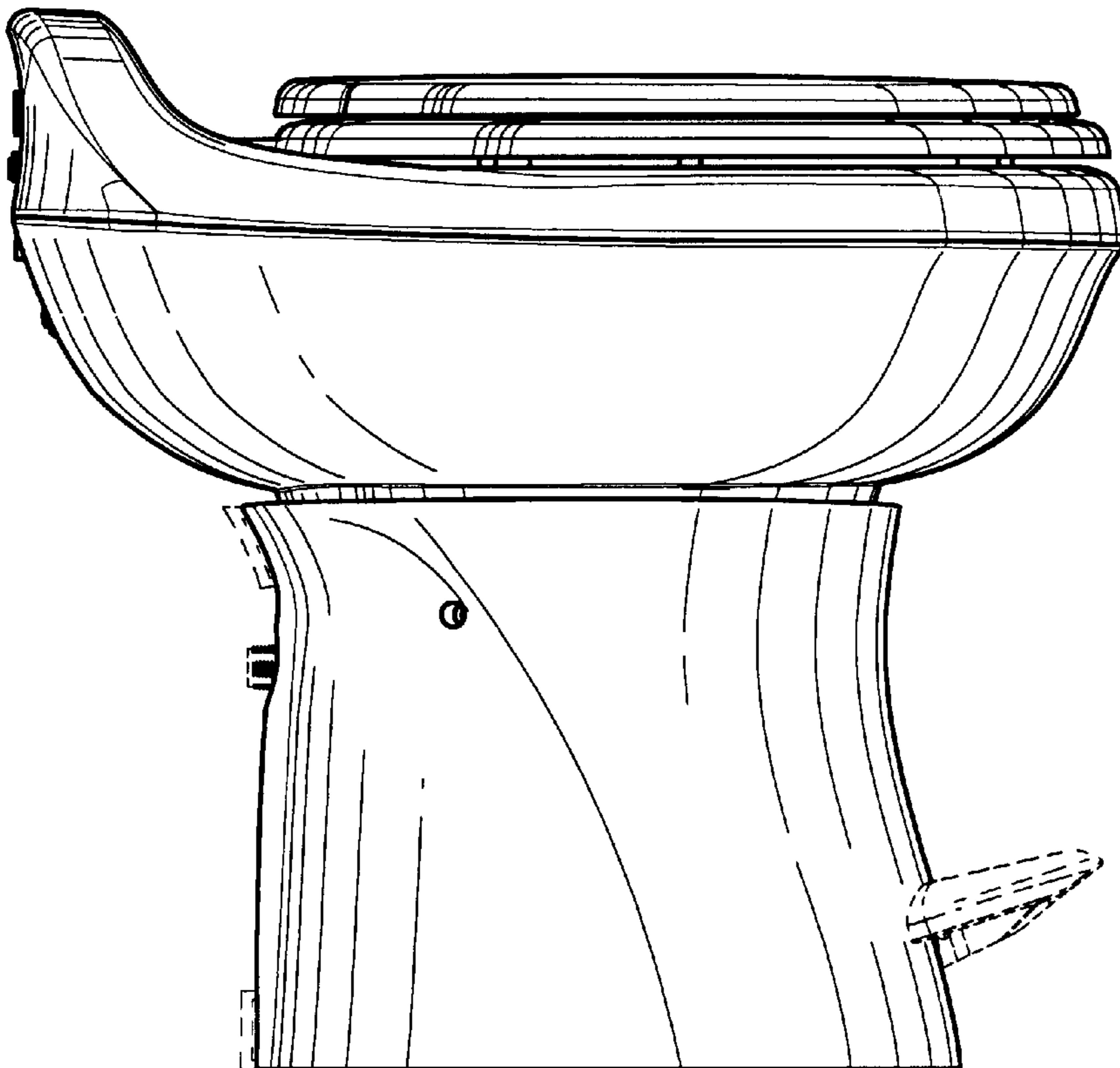
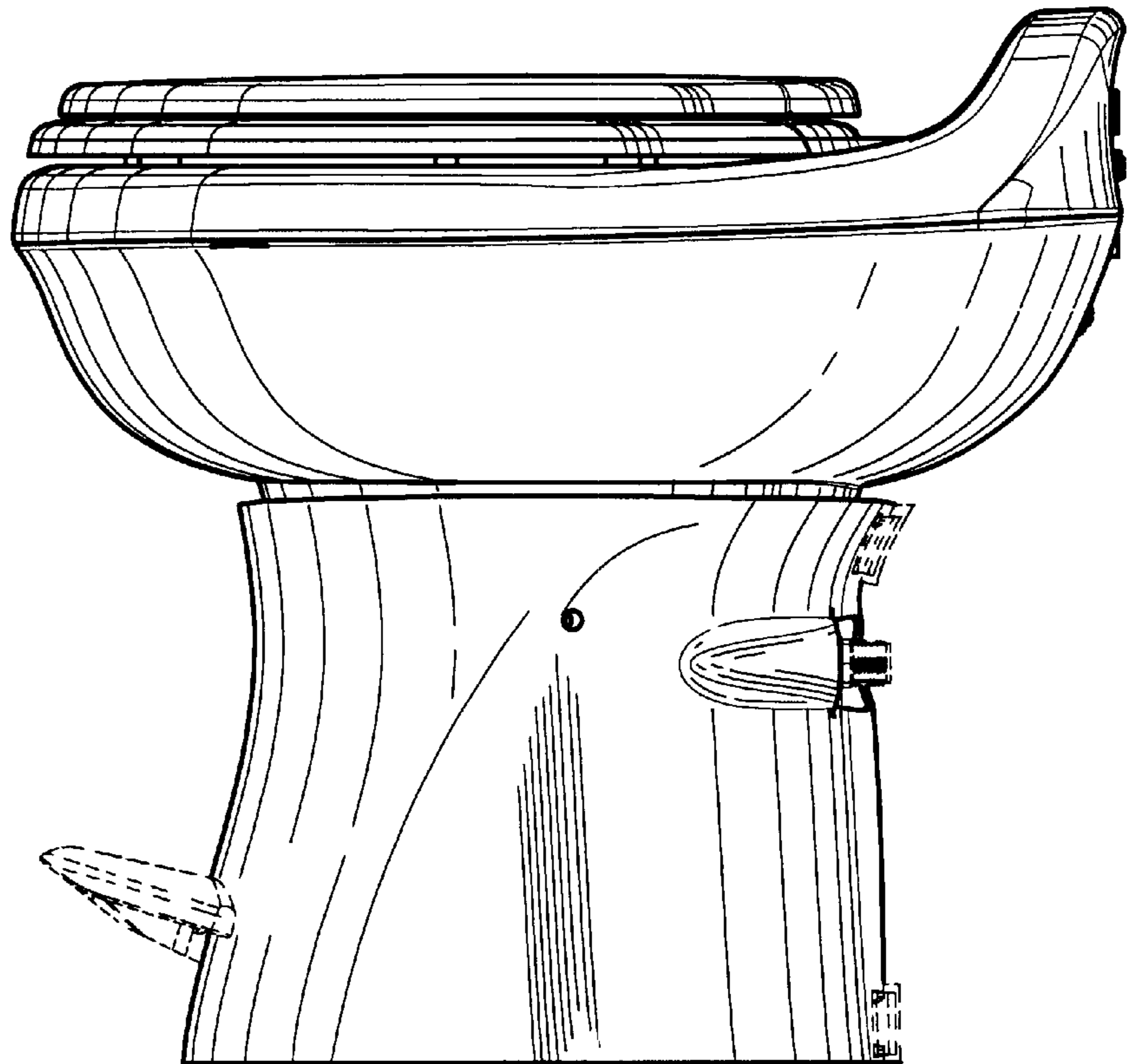


FIG - 4

FIG - 5

