



US00D484579S

(12) **United States Design Patent**
Bennie

(10) **Patent No.:** **US D484,579 S**

(45) **Date of Patent:** **** Dec. 30, 2003**

(54) **BIDET**

(75) Inventor: **William B. Bennie**, Sheboygan, WI (US)

(73) Assignee: **Kohler Co.**, Kohler, WI (US)

(**) Term: **14 Years**

(21) Appl. No.: **29/171,479**

(22) Filed: **Nov. 22, 2002**

(51) **LOC (7) Cl.** **23-02**

(52) **U.S. Cl.** **D23/295**

(58) **Field of Search** D23/273-274,
D23/295, 300, 303, 309; 4/300, 329, 353,
420, 443-446, 449

(56) **References Cited**

U.S. PATENT DOCUMENTS

D387,858 S	*	12/1997	McKeone	D23/301
D390,930 S	*	2/1998	Slothower	D23/295
D441,437 S	*	5/2001	McKeone	D23/301
D472,309 S	*	3/2003	Kawamura et al.	D23/295

* cited by examiner

Primary Examiner—Louis S. Zarfaz
Assistant Examiner—Robert A. Delehanty
(74) *Attorney, Agent, or Firm*—Quarles & Brady LLP

(57) **CLAIM**

The ornamental design for a bidet, as shown and described.

DESCRIPTION

In a preferred embodiment, the nature of this product is as a plumbing fixture primarily useful for washing various body parts of humans.

FIG. 1 is a right, top, front perspective view of a bidet embodying my new design;

FIG. 2 is a top plan view thereof,

FIG. 3 is a right side elevational view thereof, the left side elevational view being a mirror image of the right side shown;

FIG. 4 is a front elevational view thereof;

FIG. 5 is a rear elevational view thereof, the portions of which that are not visible when the bidet rear abuts a solid room wall being shown for illustration only; and,

FIG. 6 is a bottom plan view thereof.

The broken line representations of holes in FIGS. 1, 2, and 6, and of mounting structure in FIG. 6, are for the purpose of illustration only, and form no part of the claimed design.

1 Claim, 3 Drawing Sheets

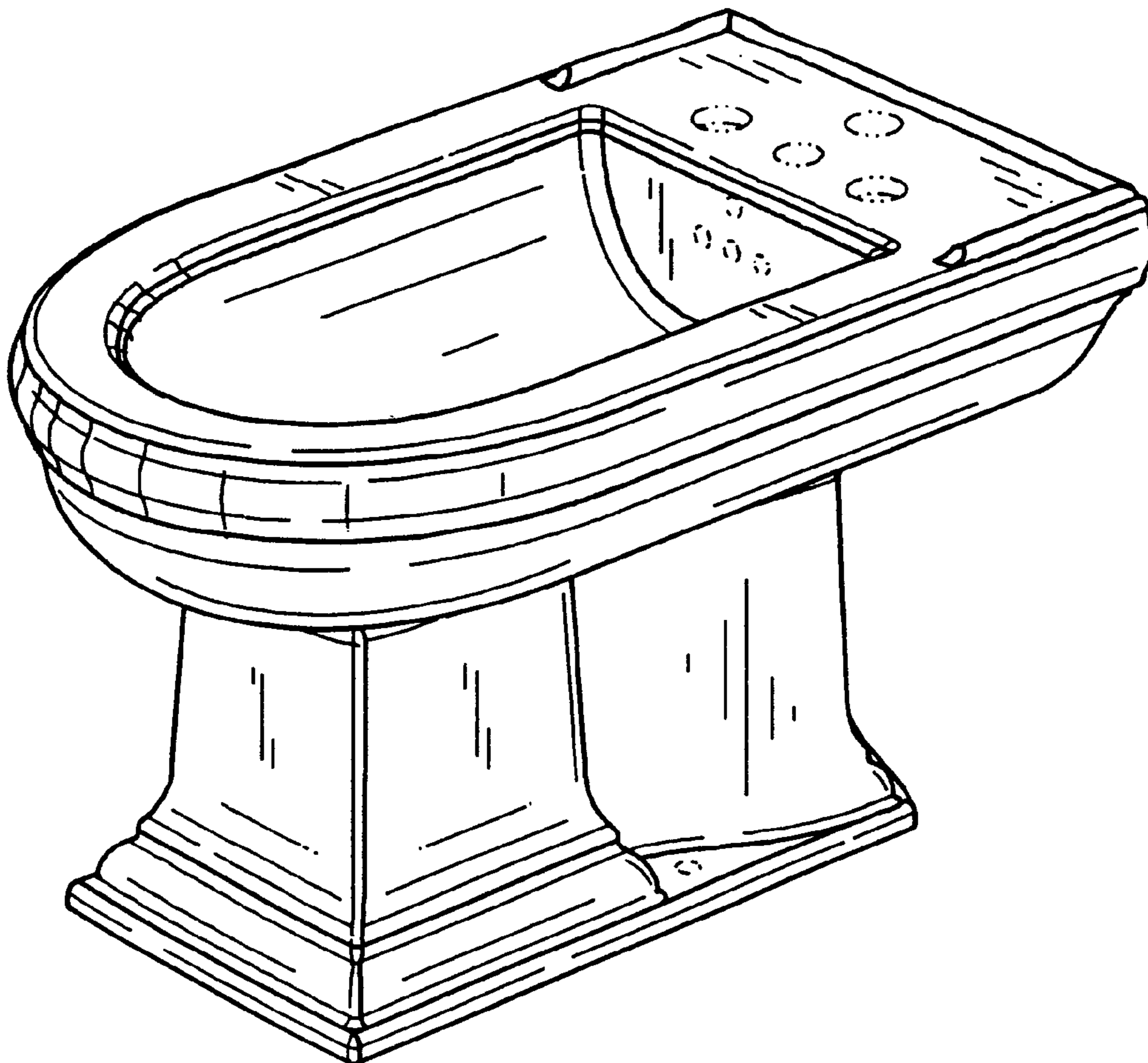


FIG. 1

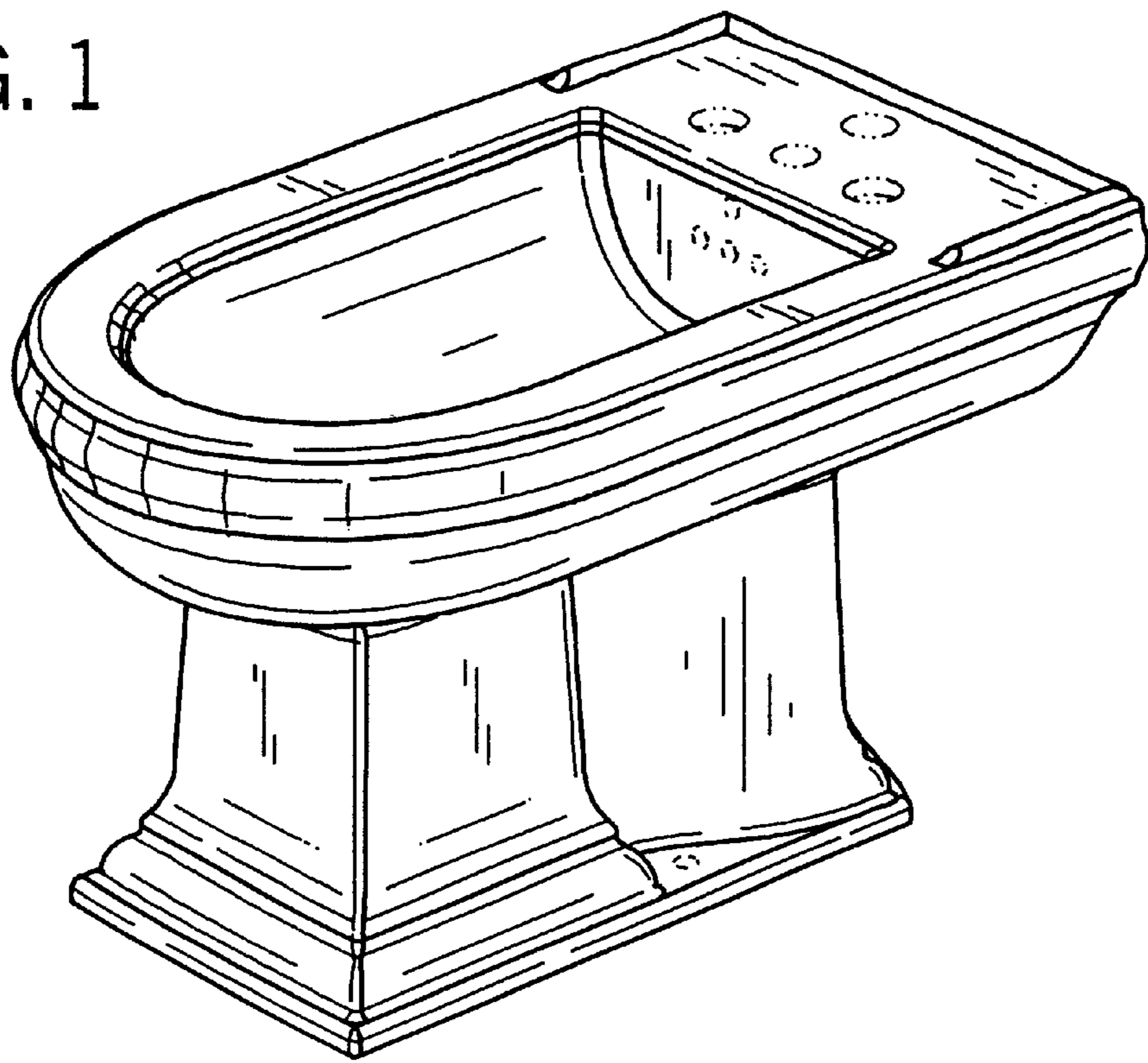


FIG. 2

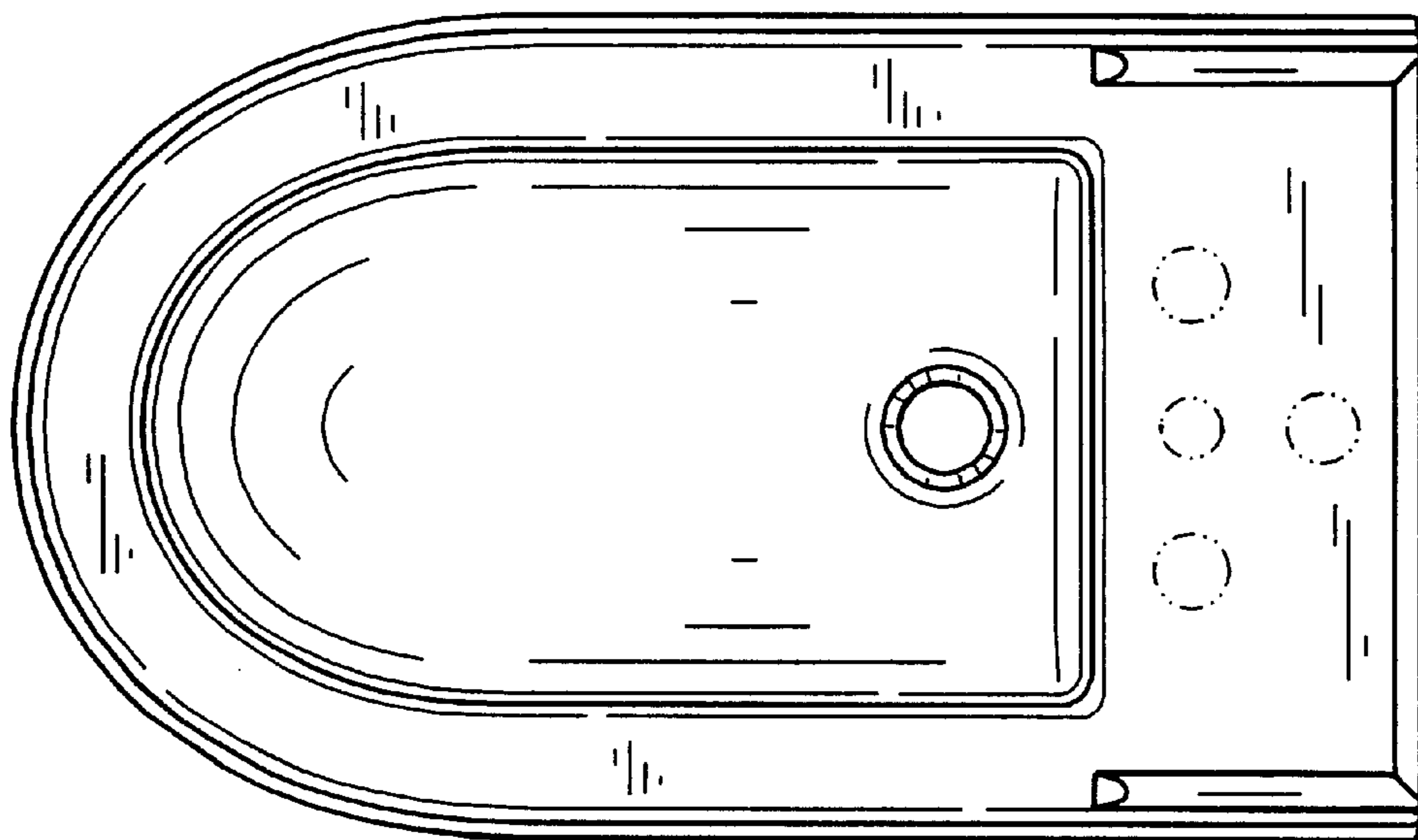


FIG. 3

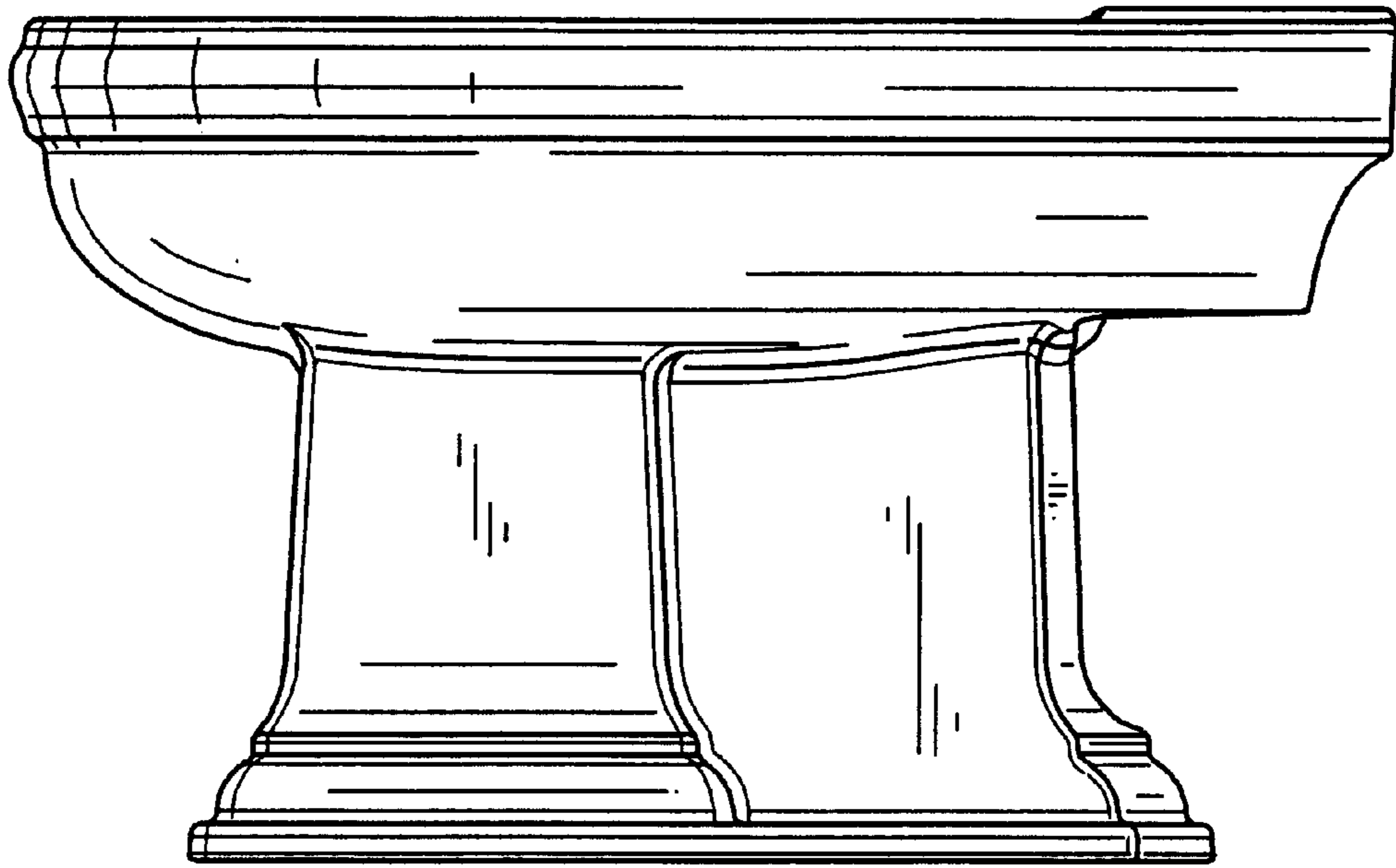


FIG. 4

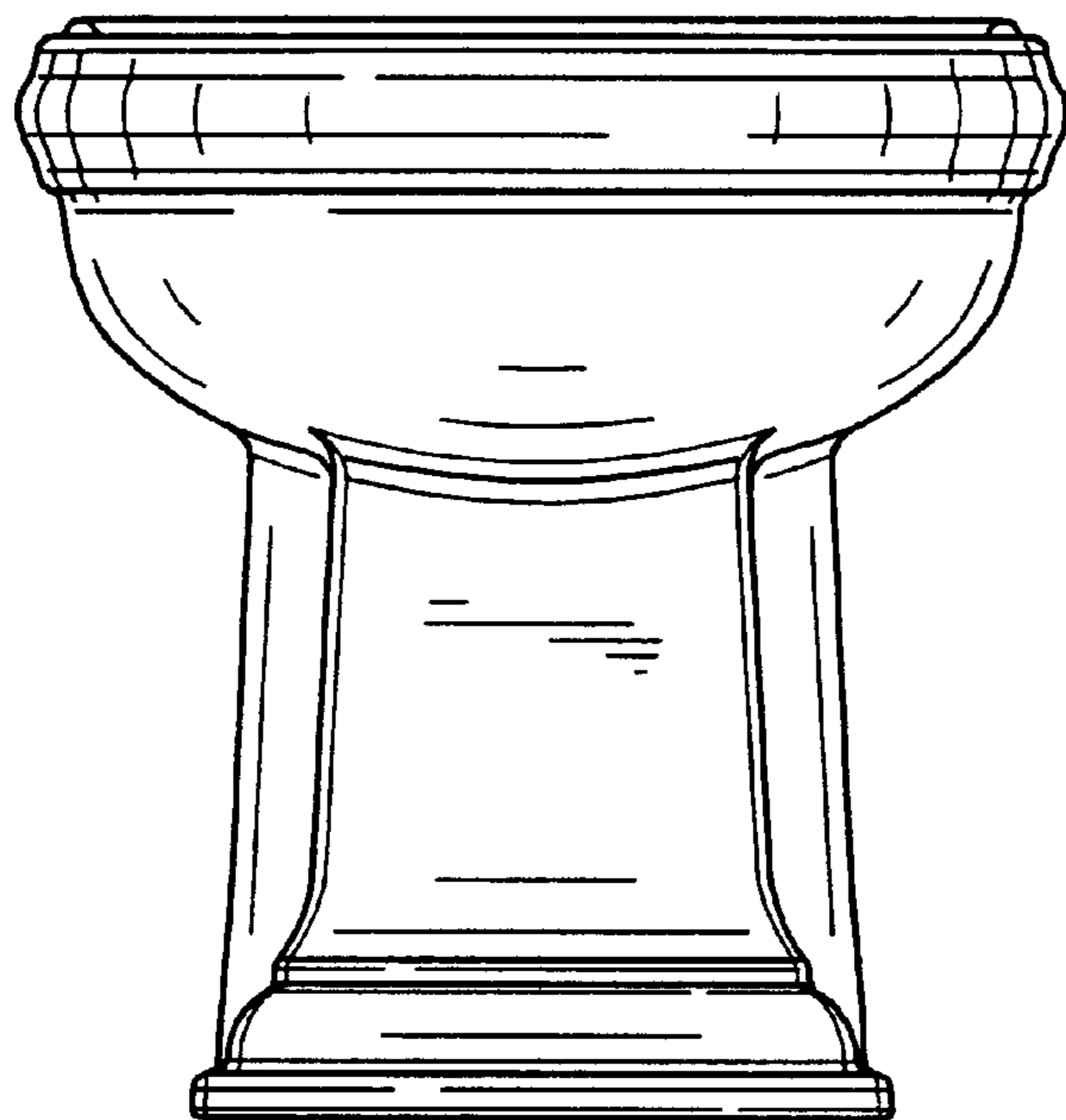


FIG. 5

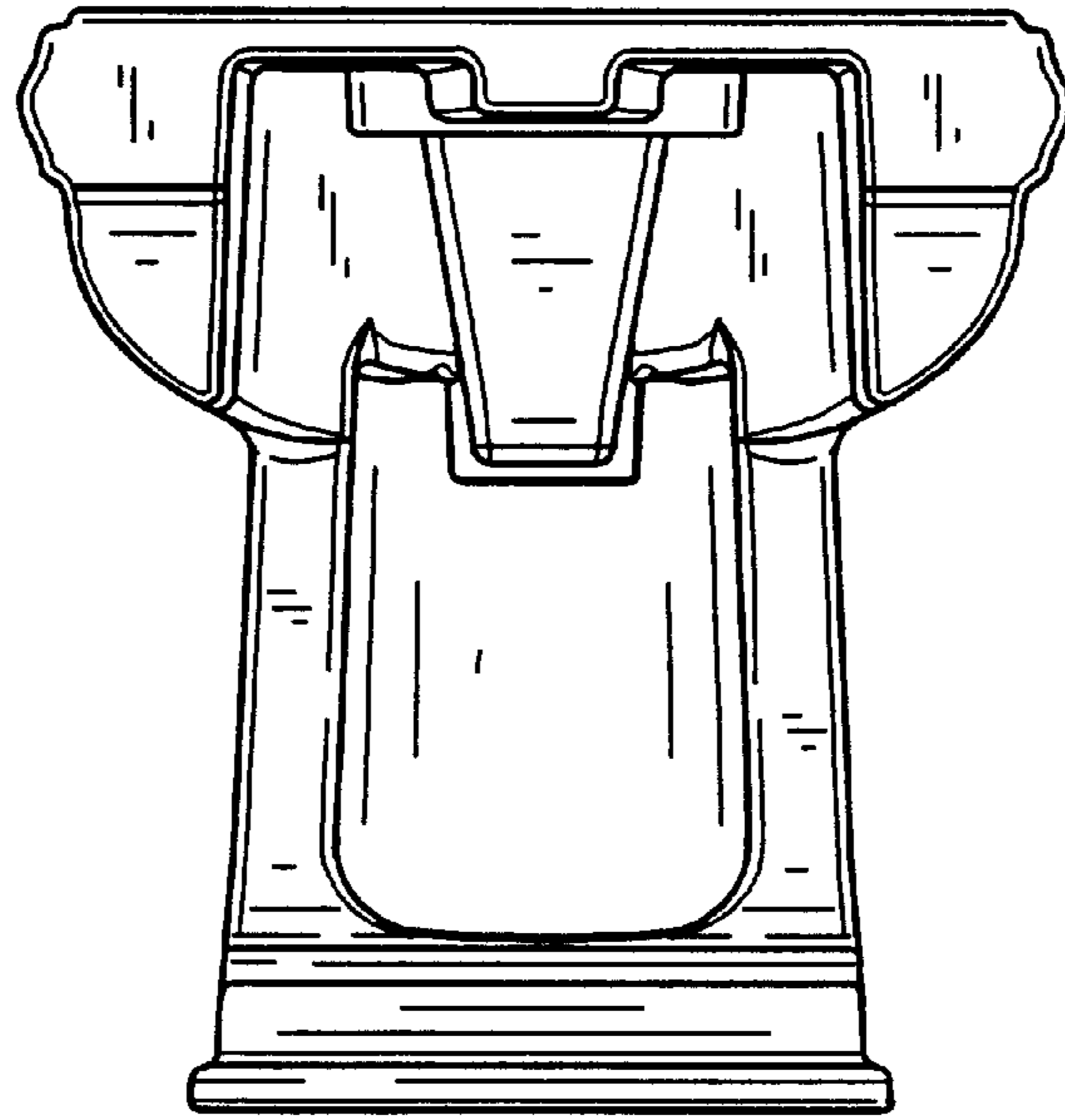


FIG. 6

