



US00D484578S

(12) **United States Design Patent**  
**Zenobio**

(10) **Patent No.:** **US D484,578 S**

(45) **Date of Patent:** **\*\* Dec. 30, 2003**

(54) **MONOLITHIC SINK AND COUNTERTOP WITH BACKSPLASH**

(76) **Inventor:** **Richard A Zenobio**, 555 Mountain Springs Rd., Paso Robles, CA (US) 93446

(\*\*) **Term:** **14 Years**

(21) **Appl. No.:** **29/181,244**

(22) **Filed:** **May 6, 2003**

(51) **LOC (7) Cl.** ..... **23-02**

(52) **U.S. Cl.** ..... **D23/293.1**

(58) **Field of Search** ..... D23/270-271,  
D23/273, 284-286, 293.1, 303, 308; 4/662-665,  
619, 630, 635, 650, 660, 661

(56) **References Cited**

**U.S. PATENT DOCUMENTS**

- D215,291 S \* 9/1969 Owings ..... D23/293.1
- 3,673,617 A \* 7/1972 Schulz, Jr. .... 4/631
- 6,212,707 B1 \* 4/2001 Thompson et al. .... 4/631
- D444,868 S \* 7/2001 Millard et al. .... D23/308

D471,264 S \* 3/2003 Bennie ..... D23/293.1

\* cited by examiner

*Primary Examiner*—Louis S. Zarfaz

*Assistant Examiner*—Robert A. Delehanty

(74) *Attorney, Agent, or Firm*—Philip A Steiner

(57) **CLAIM**

The ornamental design for a monolithic sink and countertop with backsplash, as shown and described.

**DESCRIPTION**

The present invention relates to an ornamental design for a monolithic sink and countertop with a backsplash.

FIG. 1 is a perspective view showing the design of the monolithic sink and countertop with backsplash.

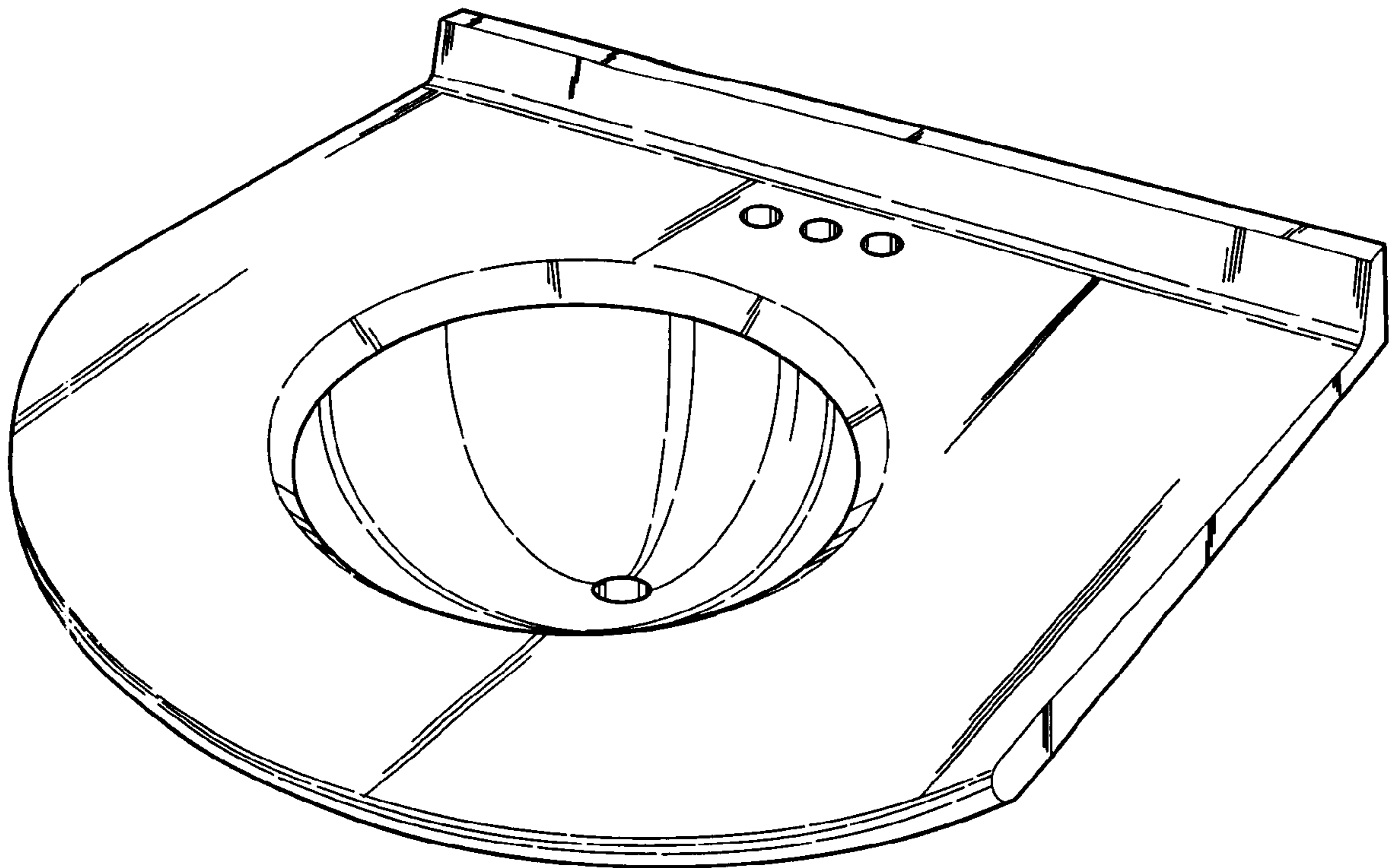
FIG. 2 is a top view showing the design of the monolithic sink and countertop with backsplash.

FIG. 3 is a front view showing the design of the monolithic sink and countertop with backsplash.

FIG. 4 is a side view showing the design of the monolithic sink and countertop with backsplash; and,

FIG. 5 is a side cross-sectional view showing the design of the monolithic sink and countertop with backsplash.

**1 Claim, 2 Drawing Sheets**



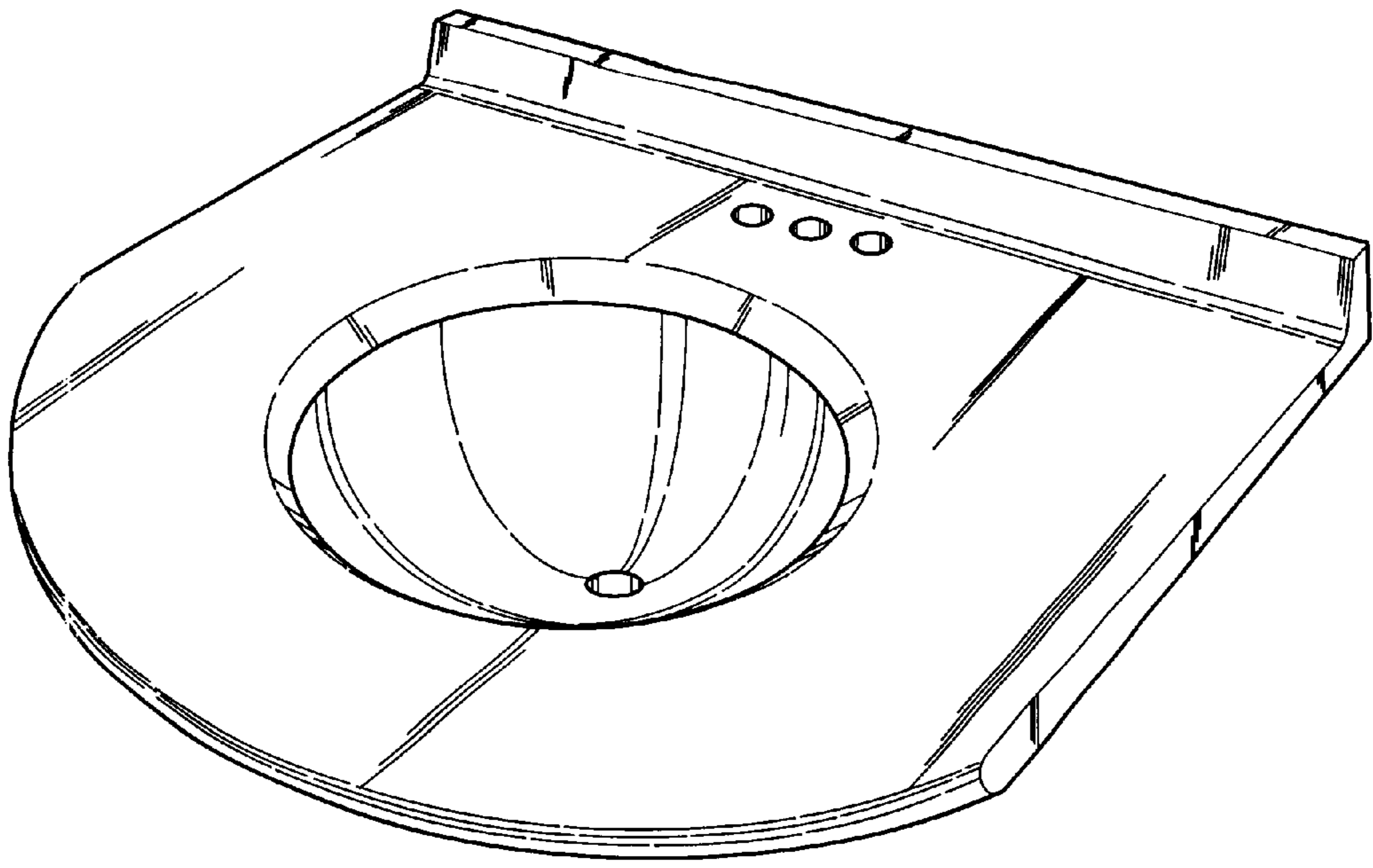


Fig. 1

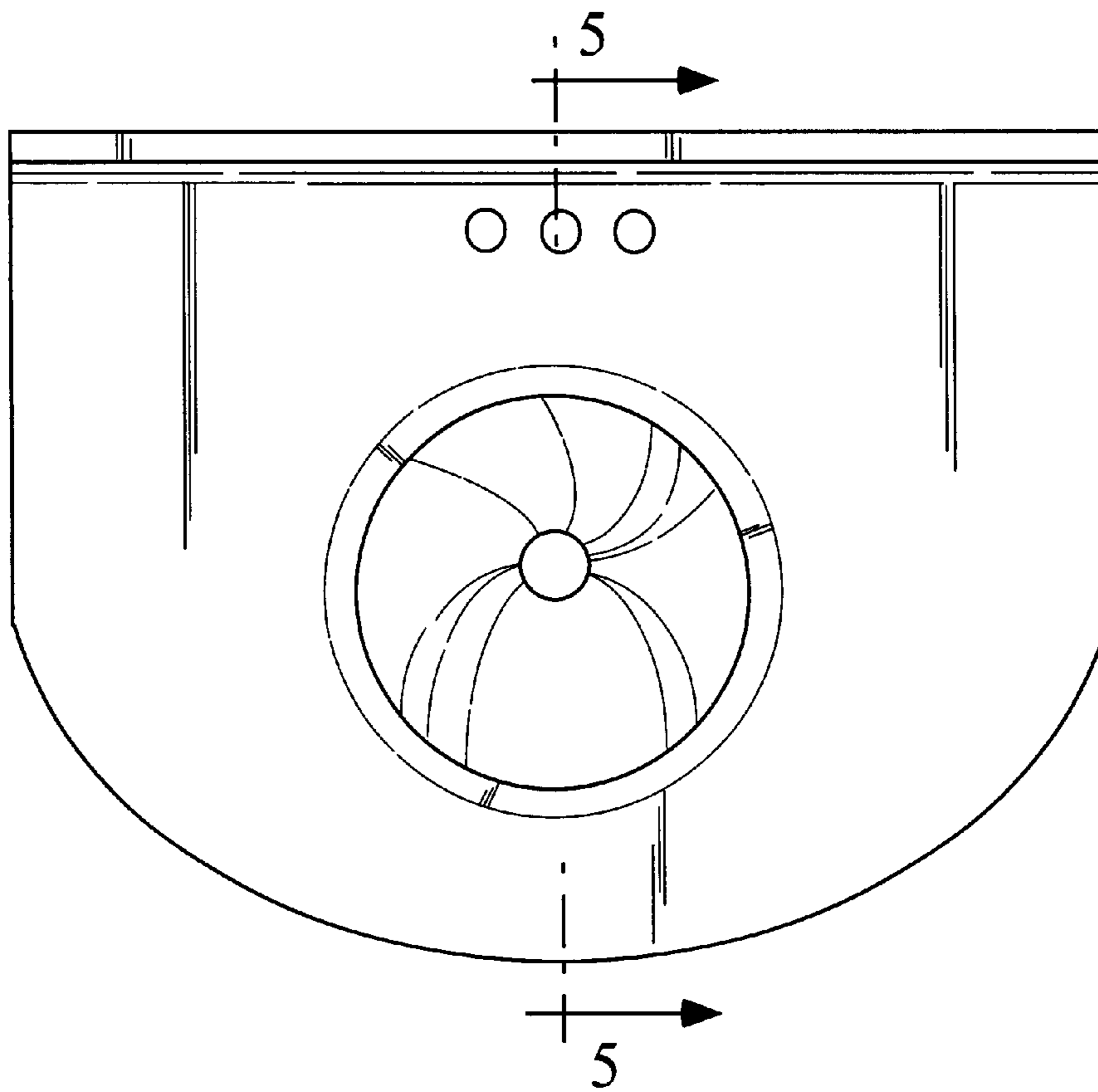


Fig. 2

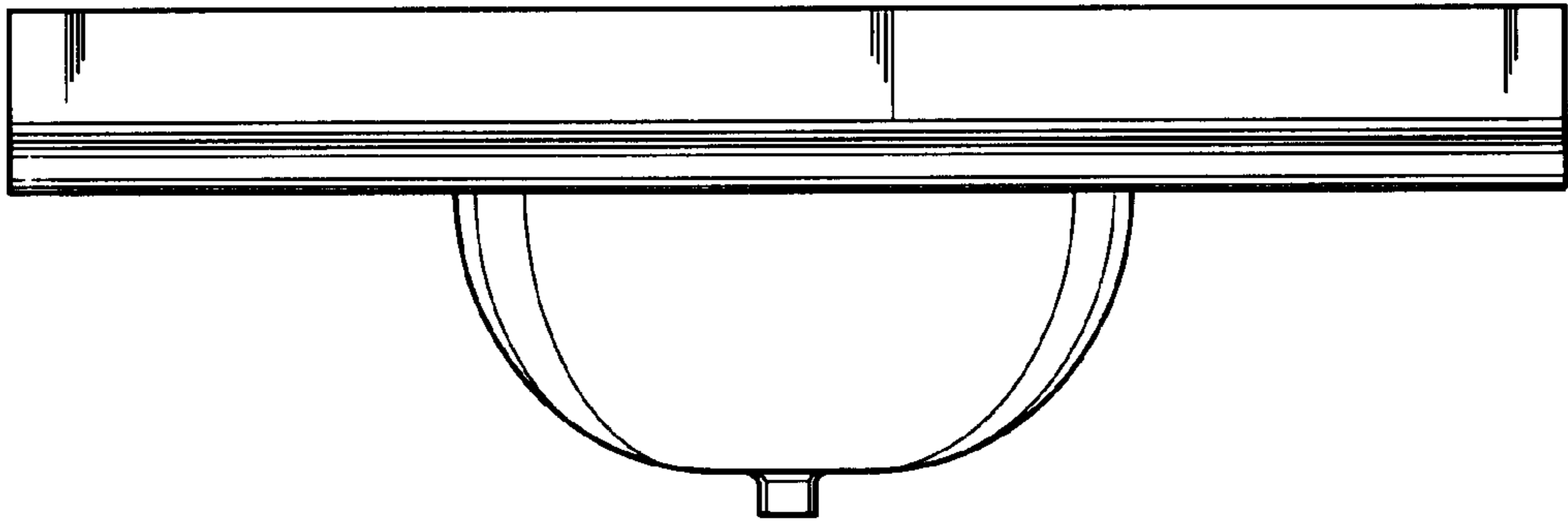


Fig. 3

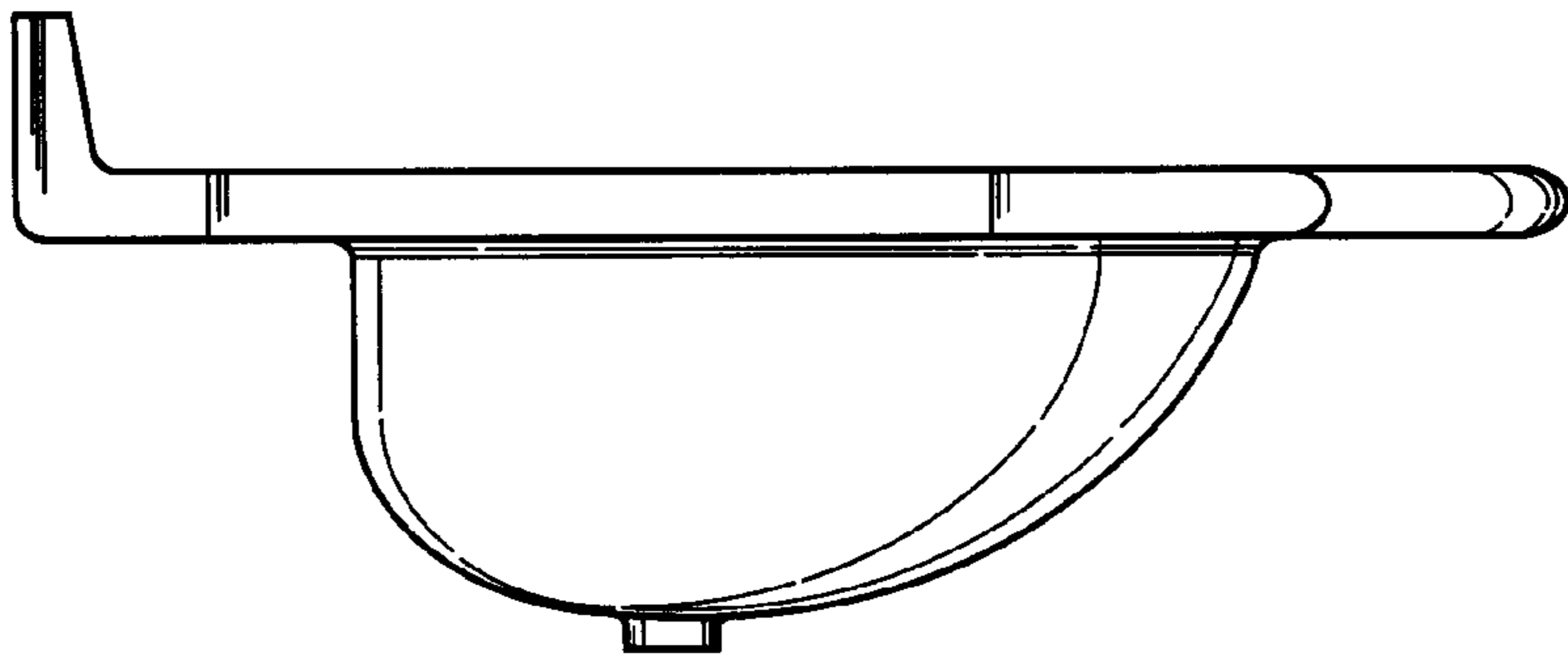


Fig. 4

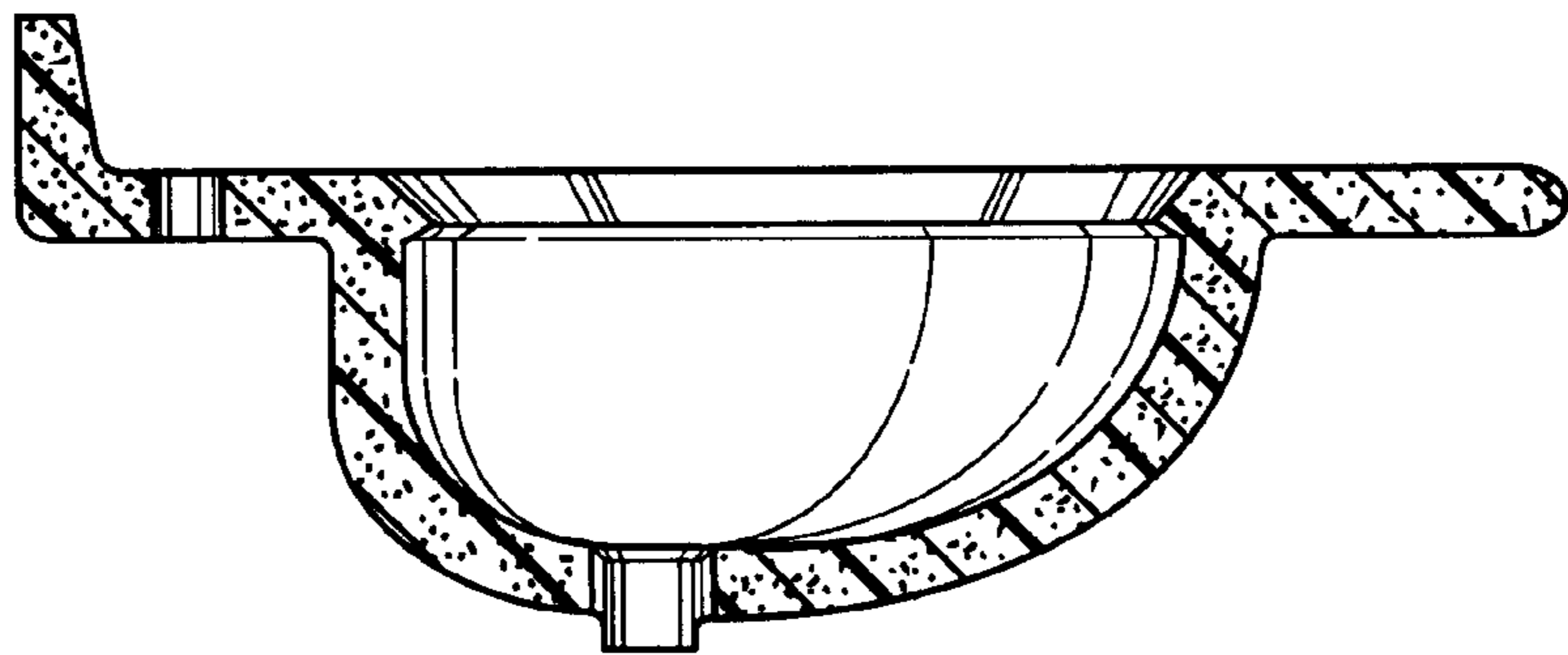


Fig. 5