



US00D484575S

(12) **United States Design Patent**
Graves et al.

(10) **Patent No.:** **US D484,575 S**

(45) **Date of Patent:** **** Dec. 30, 2003**

(54) **SHOWER CONTROLS**

(75) Inventors: **Michael Graves**, Princeton, NJ (US);
Donald Strum, Princeton, NJ (US);
William Harrington, Princeton, NJ
(US); **Scott Doty**, Cranbury, NJ (US)

(73) Assignee: **Masco Corporation of Indiana**,
Indianapolis, IN (US)

(**) Term: **14 Years**

(21) Appl. No.: **29/180,420**

(22) Filed: **Apr. 23, 2003**

(51) **LOC (7) Cl.** **23-01**

(52) **U.S. Cl.** **D23/252; D23/254**

(58) **Field of Search** **D23/238-243,**
D23/245, 250-257; D8/300-322, 350-353,
DIG. 3; 16/110.1; 4/675-678; 137/801

(56) **References Cited**

U.S. PATENT DOCUMENTS

D402,006 S * 12/1998 Hill et al. D23/254
D469,858 S * 2/2003 Lord D23/254

* cited by examiner

Primary Examiner—Ian Simmons

Assistant Examiner—Gregory Andoll

(74) *Attorney, Agent, or Firm*—Kwadjo Adusei-Poku;
Lloyd D. Doigan

(57) **CLAIM**

The ornamental design for shower controls, as shown and described.

DESCRIPTION

FIG. 1 is a right front perspective view of shower controls showing our new design in an environment;

FIG. 2 is another right front perspective view thereof shown in another environment;

FIG. 3 is a front elevational view shown in the environment of FIG. 1;

FIG. 4 is a left side elevational view thereof;

FIG. 5 is a right side elevational view thereof;

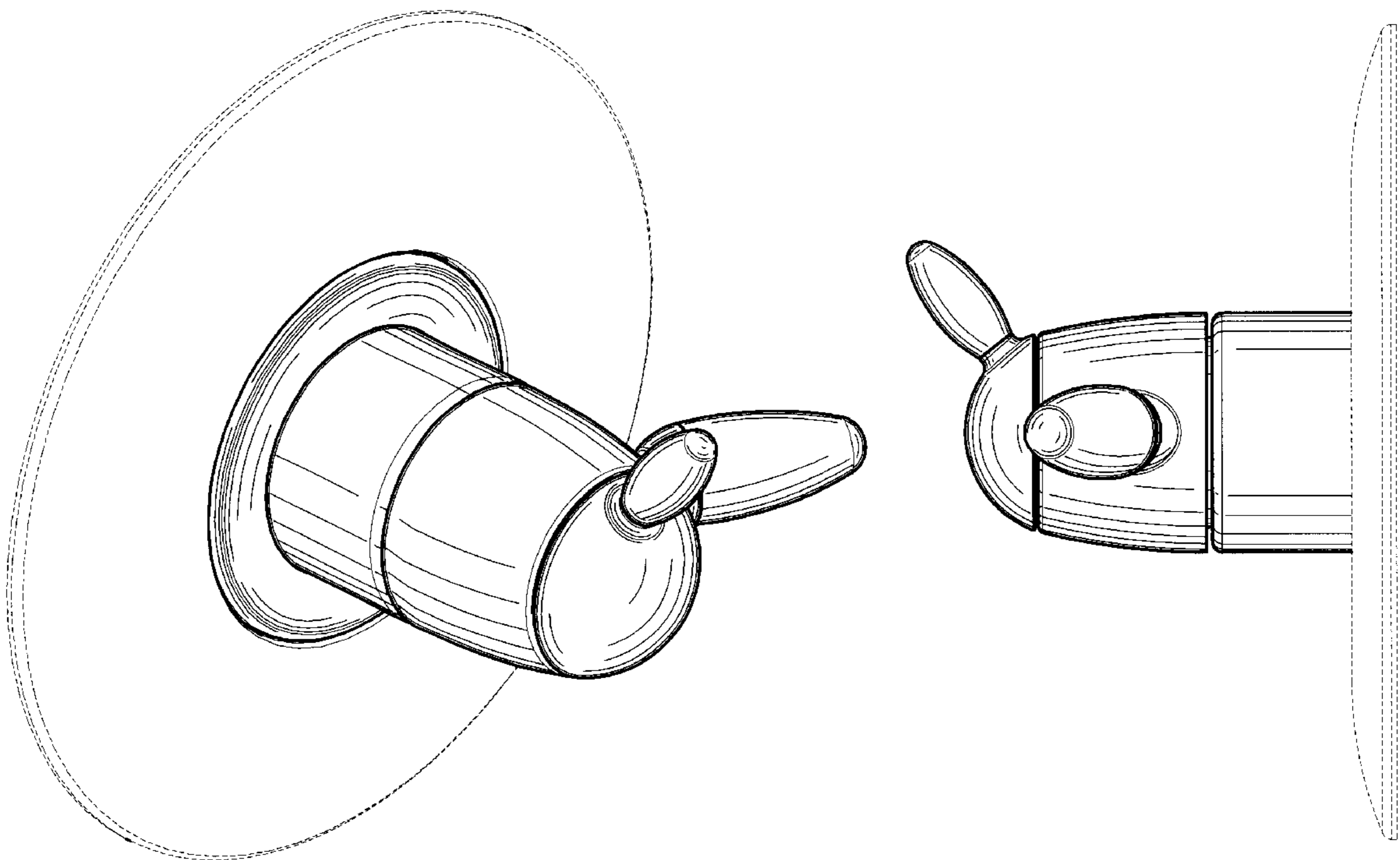
FIG. 6 is a bottom plan view thereof;

FIG. 7 is a top plan view thereof; and,

FIG. 8 is a rear elevational view thereof.

The broken lines in the Figures are for illustrative purposes only and form no part of the claimed design.

1 Claim, 7 Drawing Sheets



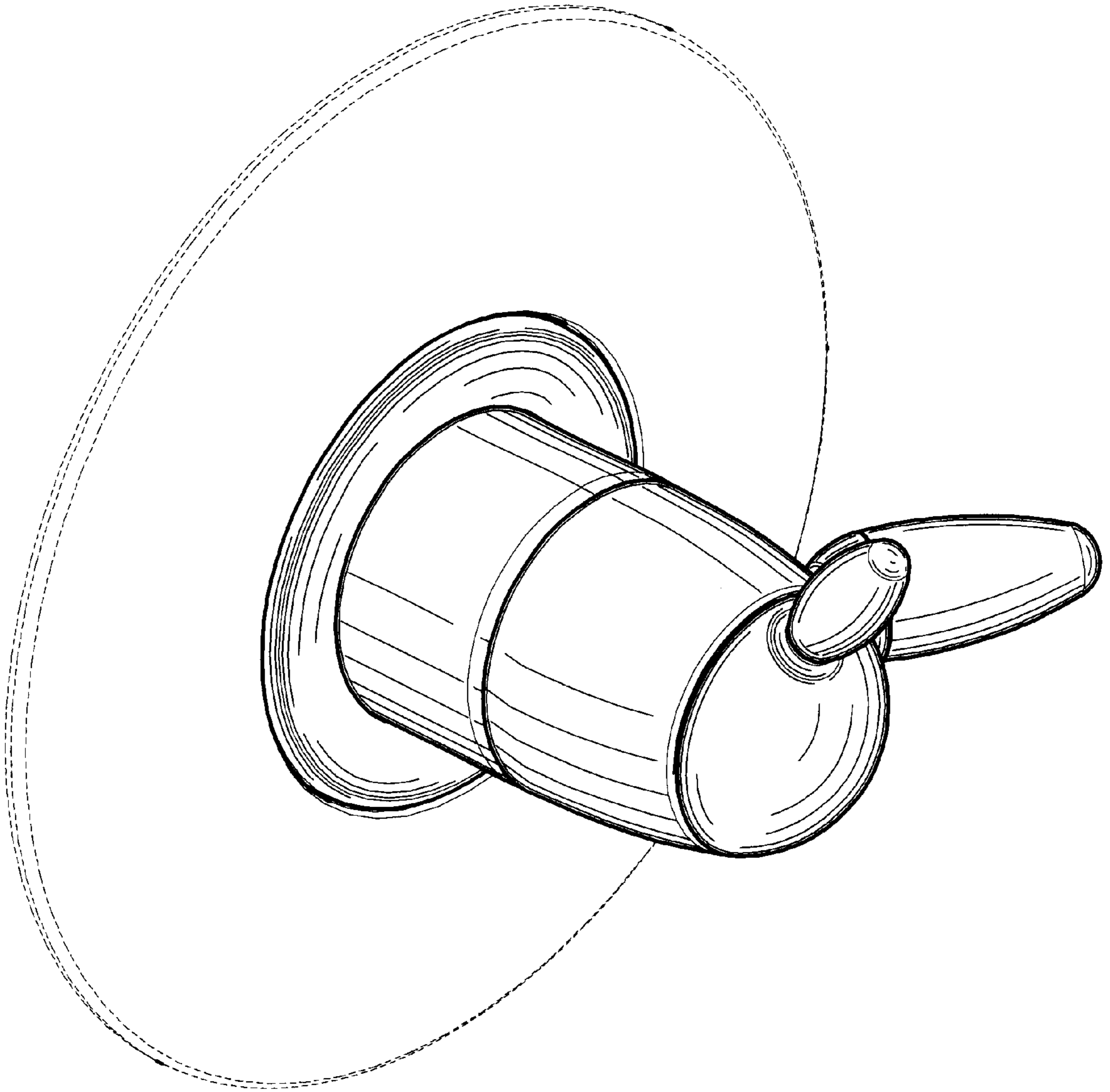


FIG - 1

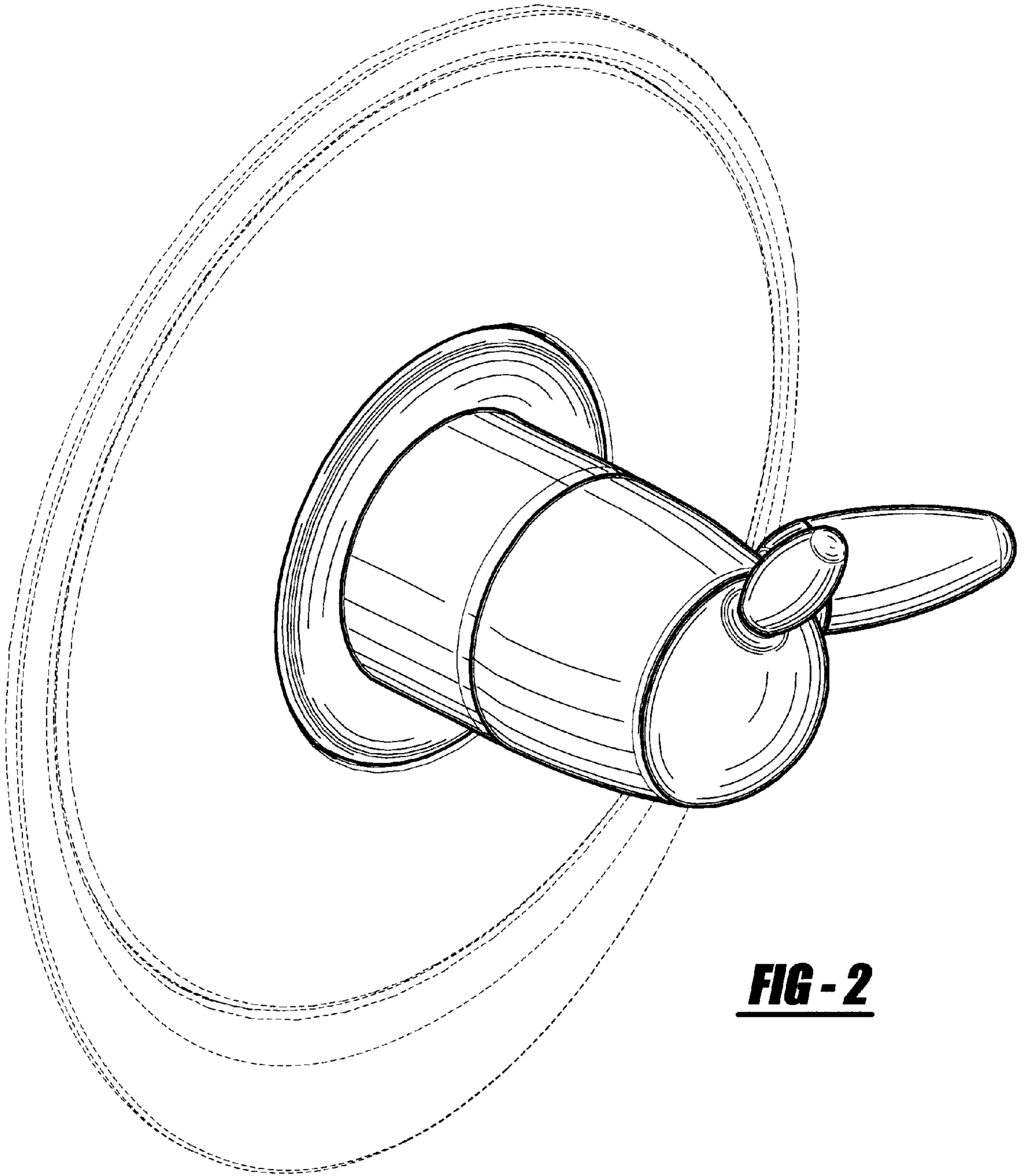


FIG - 2

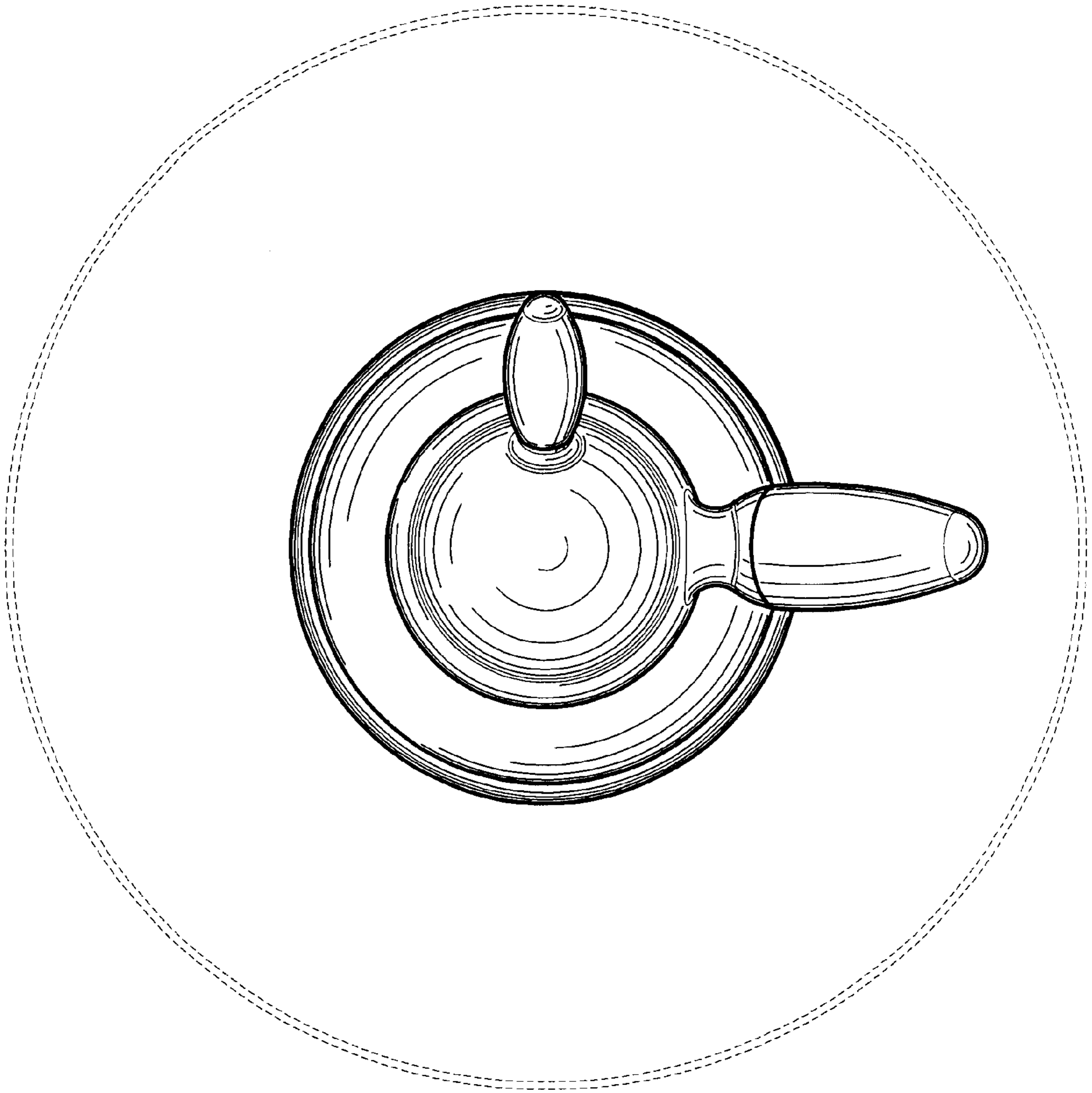


FIG - 3

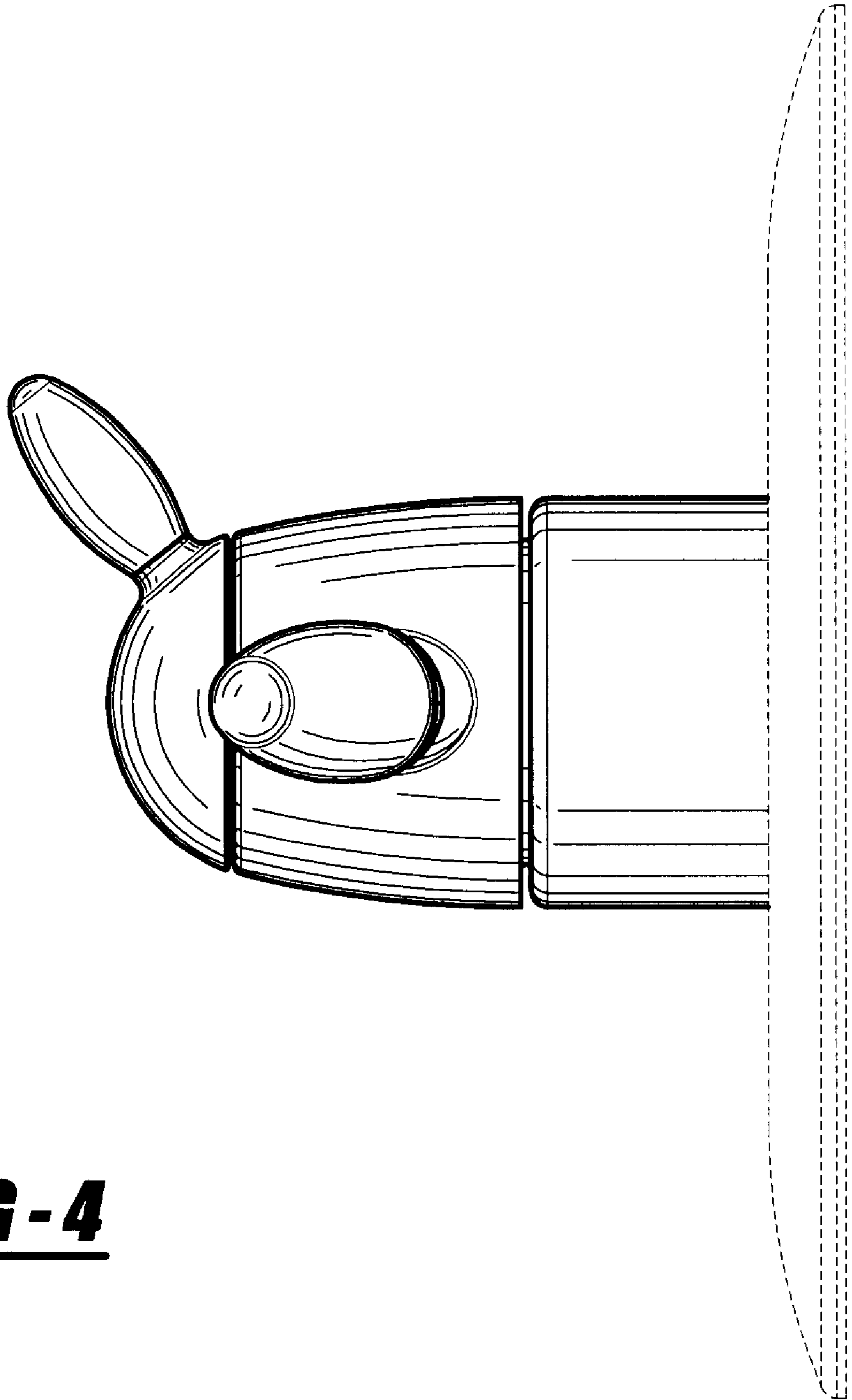


FIG - 4

FIG - 5

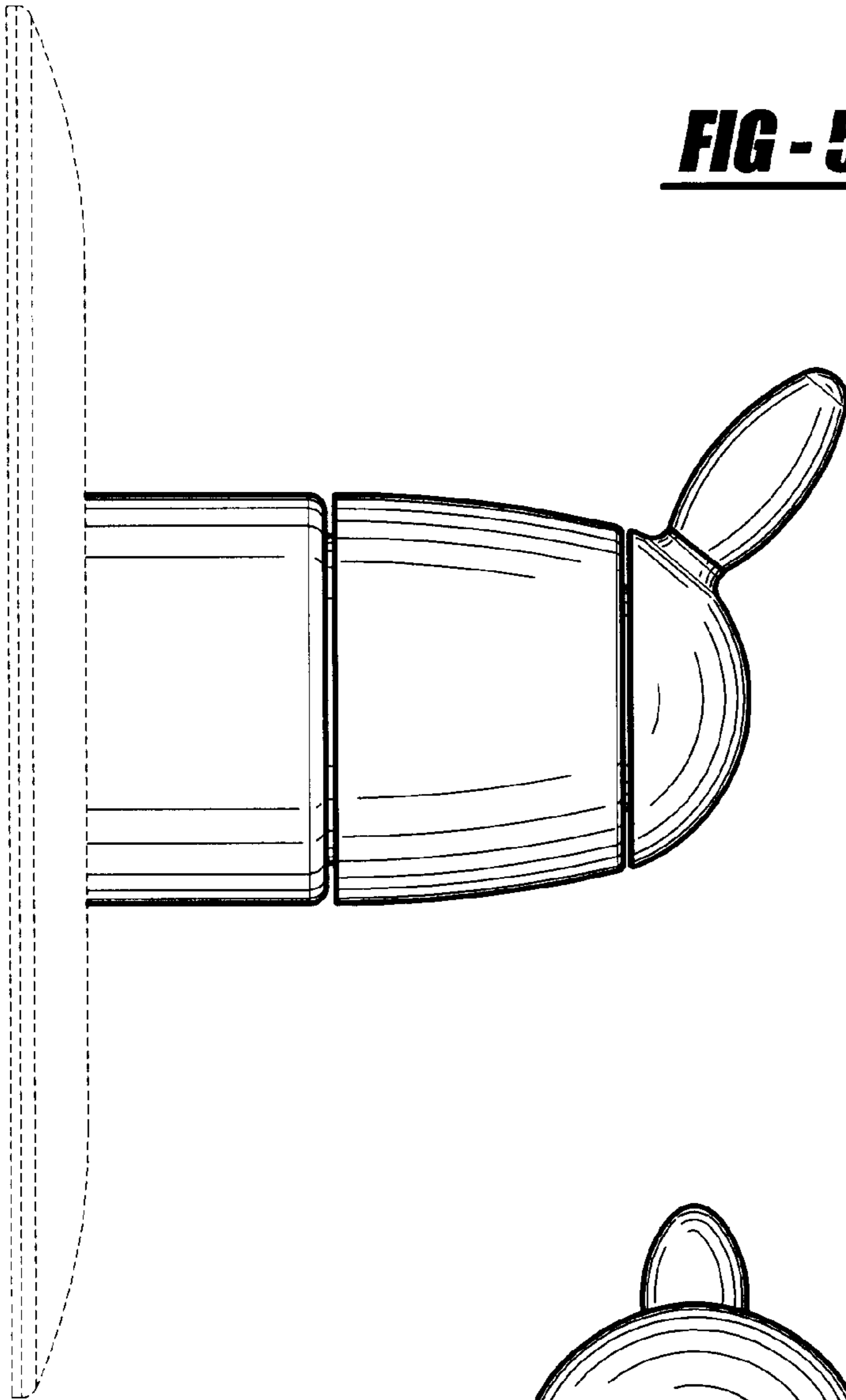
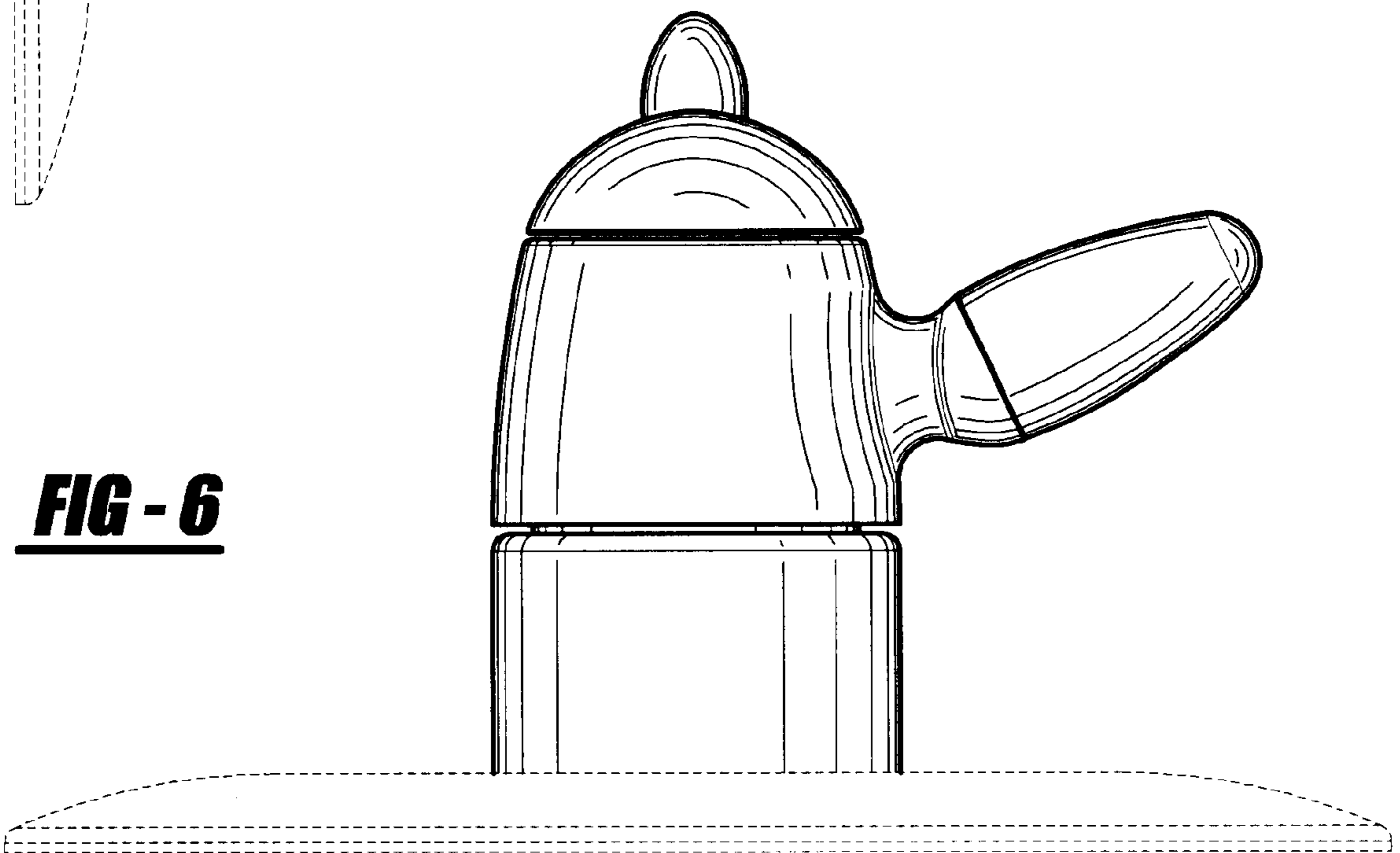


FIG - 6



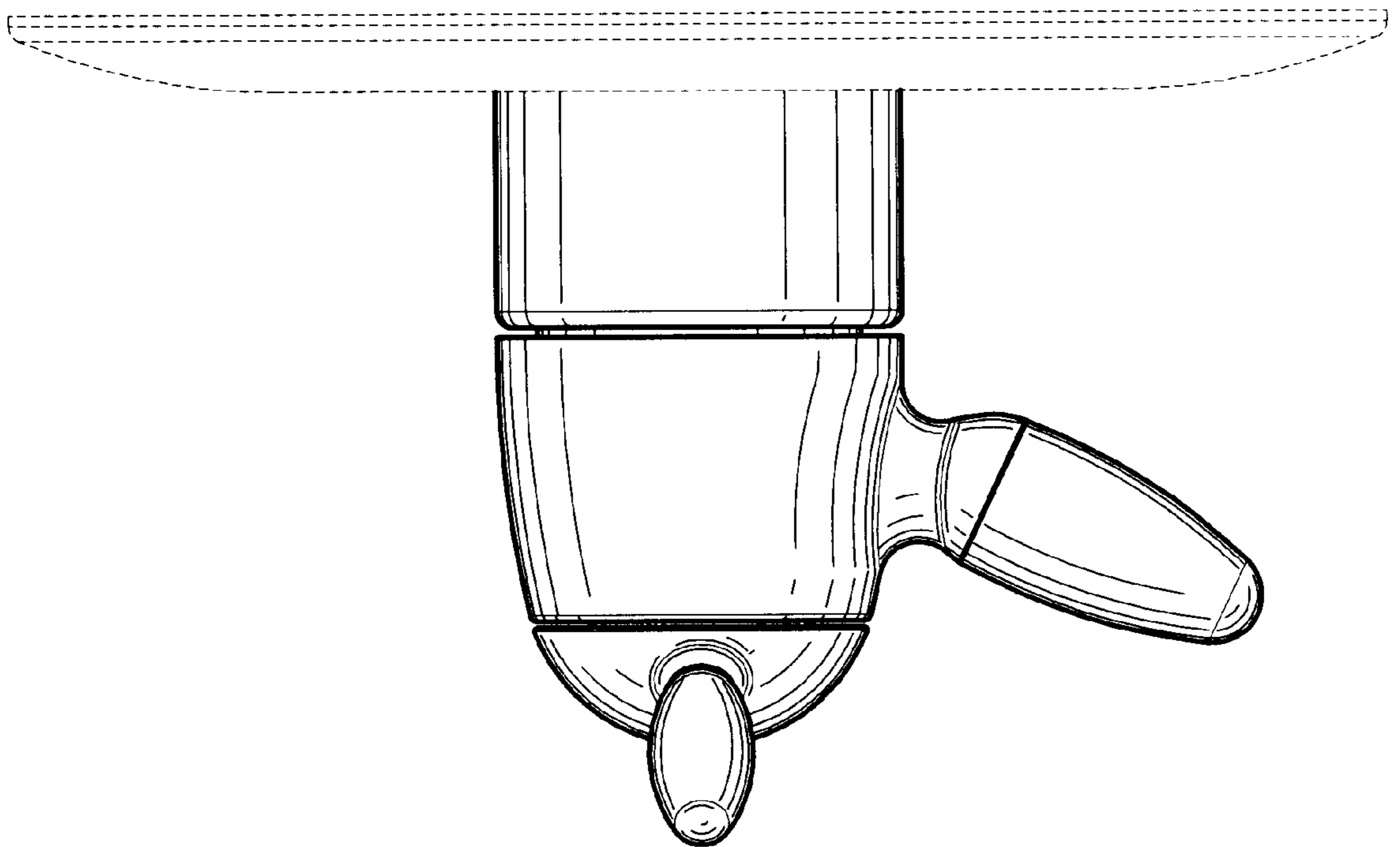


FIG - 7

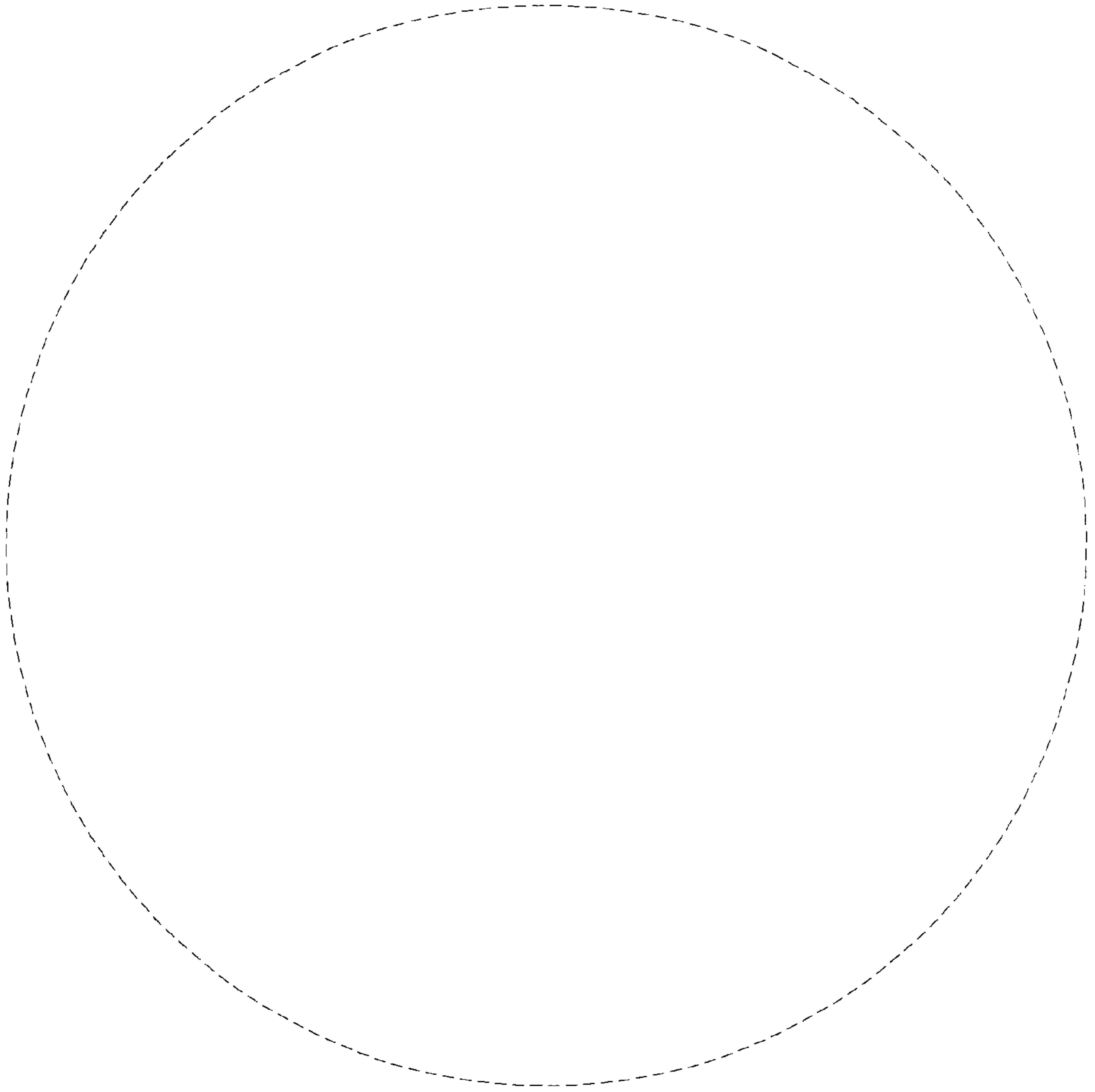


FIG - 8