



US00D484574S

(12) **United States Design Patent**
Spangler

(10) **Patent No.:** **US D484,574 S**

(45) **Date of Patent:** **** Dec. 30, 2003**

(54) **HANDLE**

(75) **Inventor:** **Anthony G. Spangler**, Greensburg, IN (US)

(73) **Assignee:** **Masco Corporation of Indiana**, Indianapolis, IN (US)

(**) **Term:** **14 Years**

(21) **Appl. No.:** **29/178,073**

(22) **Filed:** **Mar. 20, 2003**

(51) **LOC (7) Cl.** **23-01**

(52) **U.S. Cl.** **D23/252**

(58) **Field of Search** D23/238-243,
D23/245, 250-257; D8/300-322, 350-353,
DIG. 3; 16/110.1; 4/675-678; 137/801

(56) **References Cited**

U.S. PATENT DOCUMENTS

D99,251 S * 4/1936 Tjaarda D23/252
D364,216 S * 11/1995 Hill et al. D23/252

D438,937 S * 3/2001 Tolosa D23/252
D445,169 S * 7/2001 Czerwinski, Jr. et al. .. D23/252

* cited by examiner

Primary Examiner—Louis S. Zarfes

Assistant Examiner—Gregory Andoll

(74) *Attorney, Agent, or Firm*—Kwadjo Adusei-Poku;
Lloyd D. Doigan

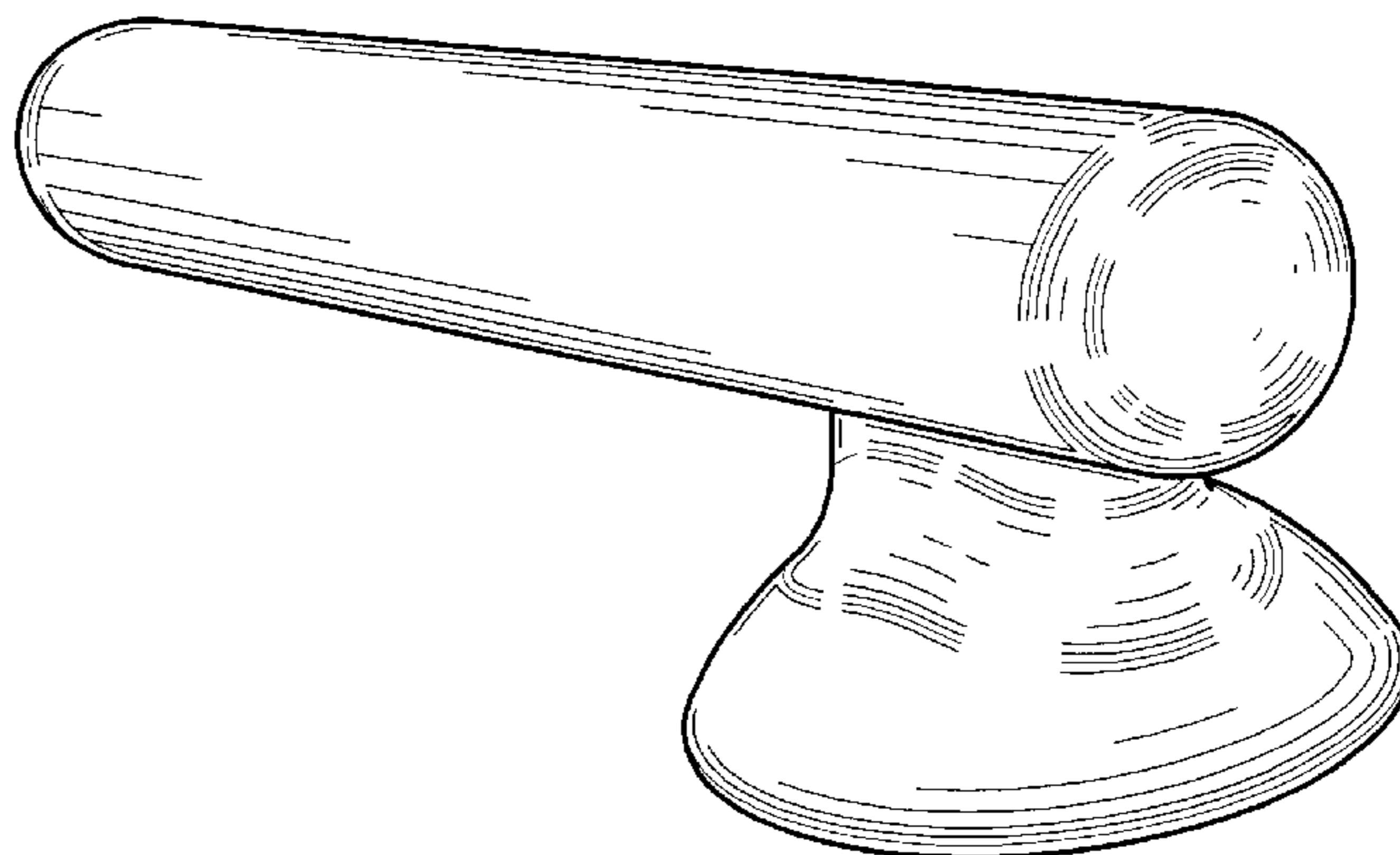
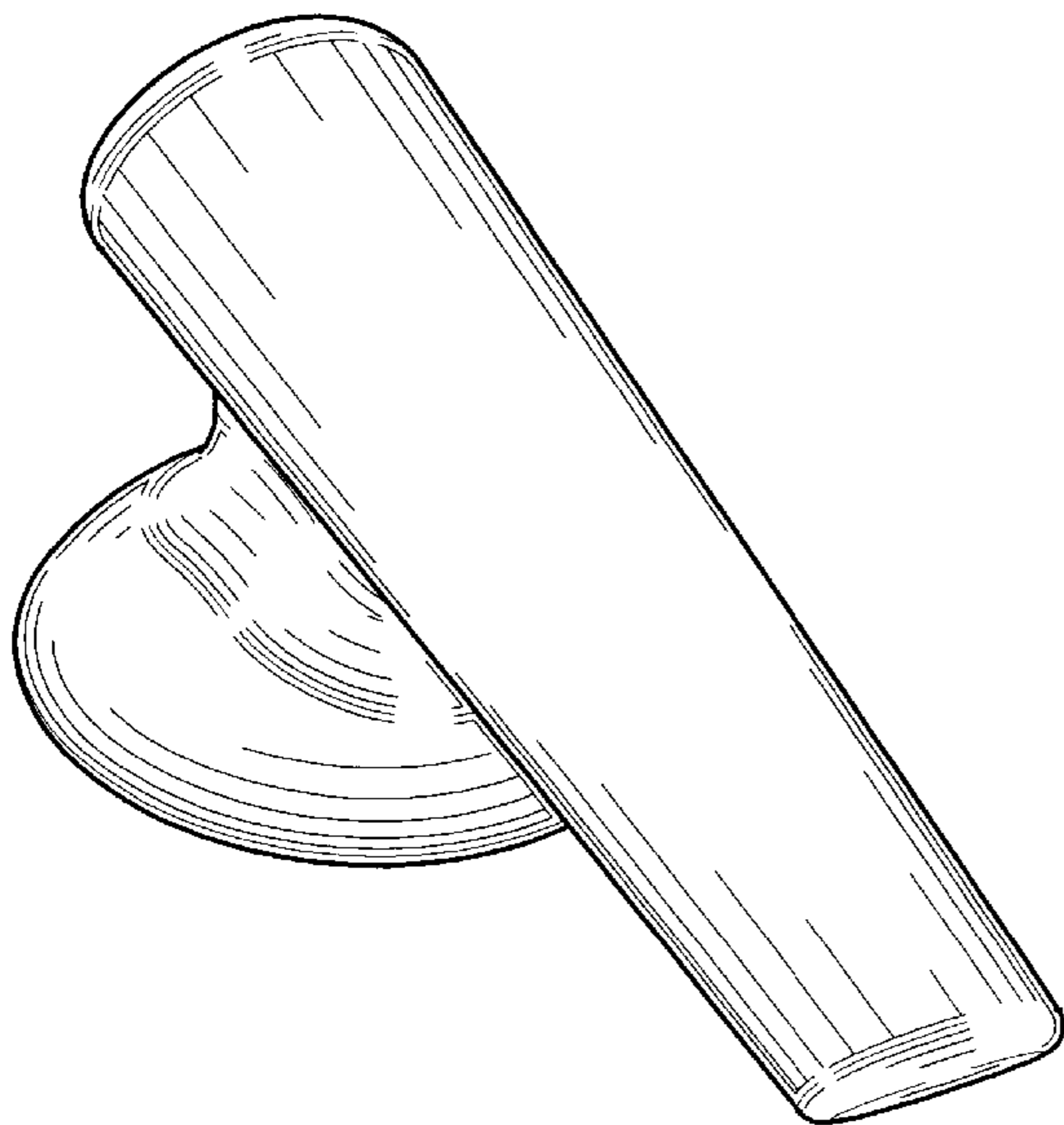
(57) **CLAIM**

The ornamental design for a handle, as shown and described.

DESCRIPTION

FIG. 1 is a front perspective view of a handle showing my new design;
FIG. 2 is a rear perspective view thereof;
FIG. 3 is a top plan view thereof;
FIG. 4 is a rear elevational view thereof;
FIG. 5 is a left side elevational view thereof;
FIG. 6 is a front elevational view thereof;
FIG. 7 is a right side elevational view thereof; and,
FIG. 8 is a bottom plan view thereof.

1 Claim, 4 Drawing Sheets



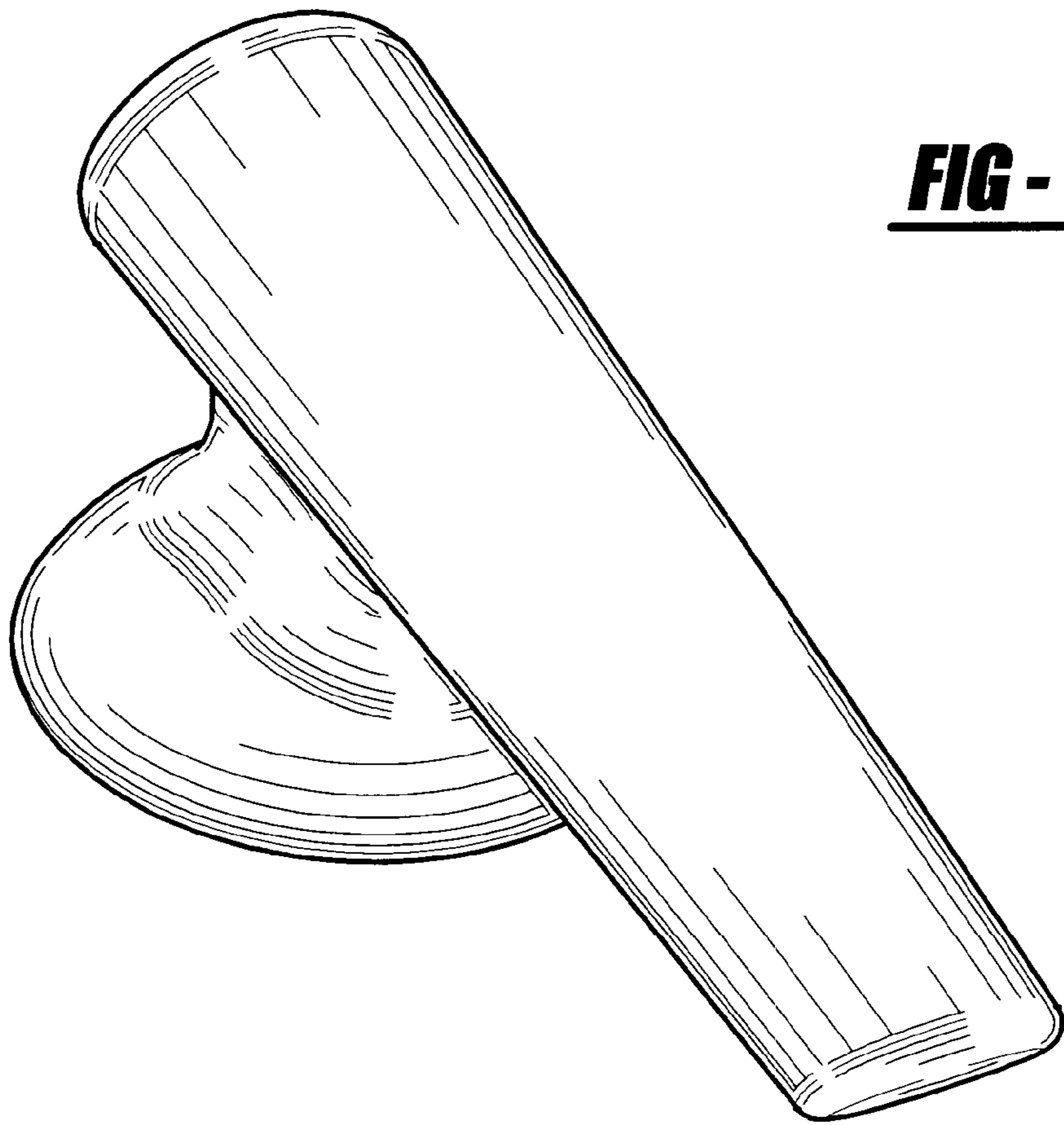


FIG - 1

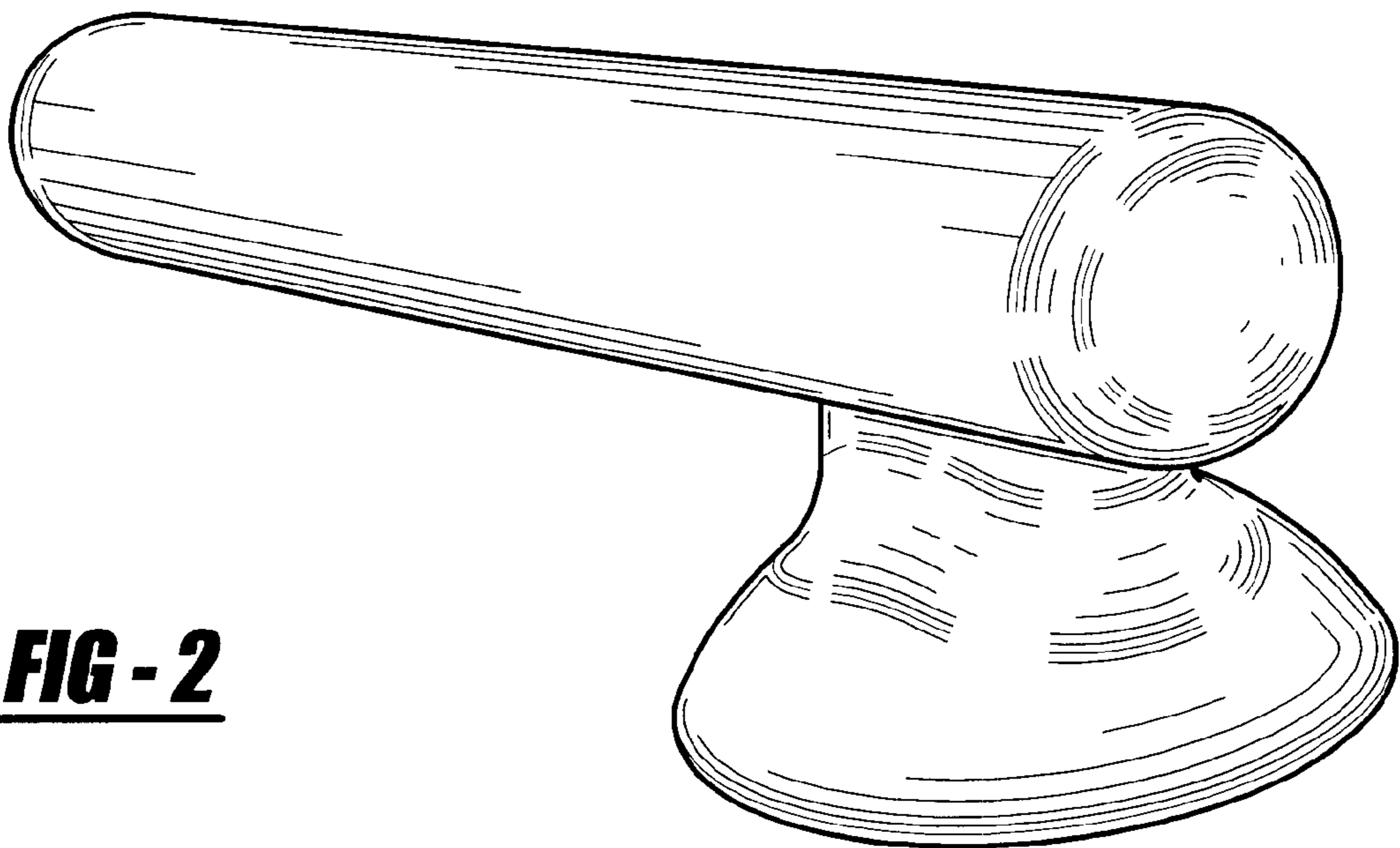


FIG - 2

FIG - 3

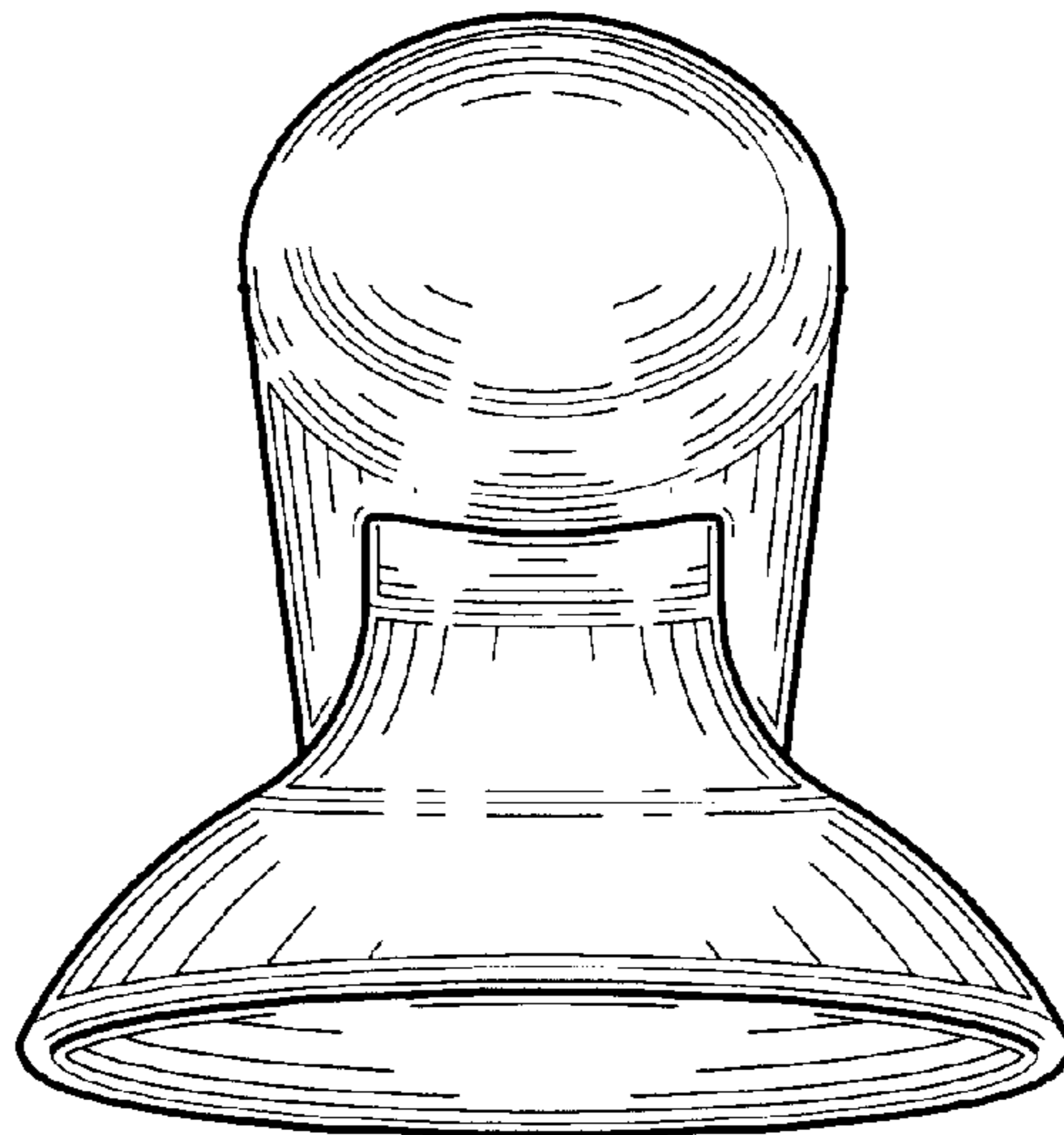
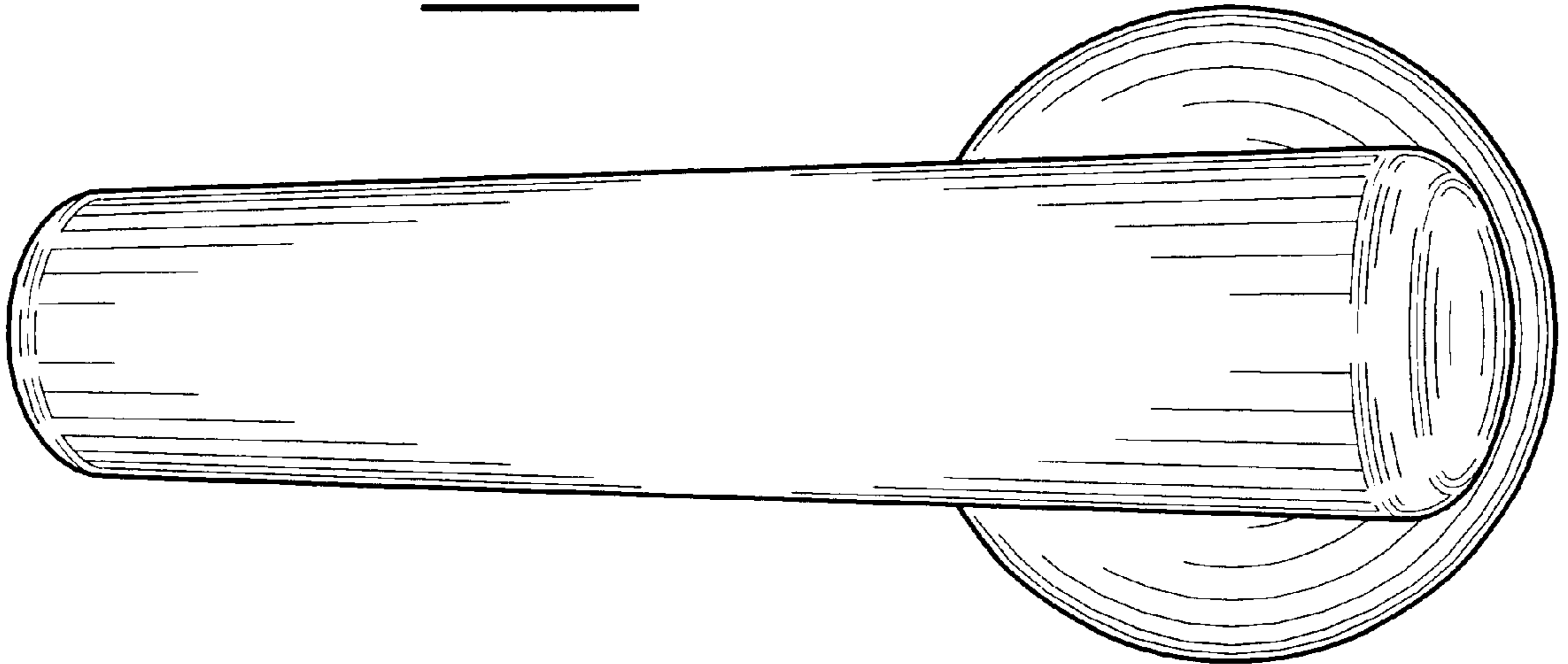


FIG - 4

FIG - 5

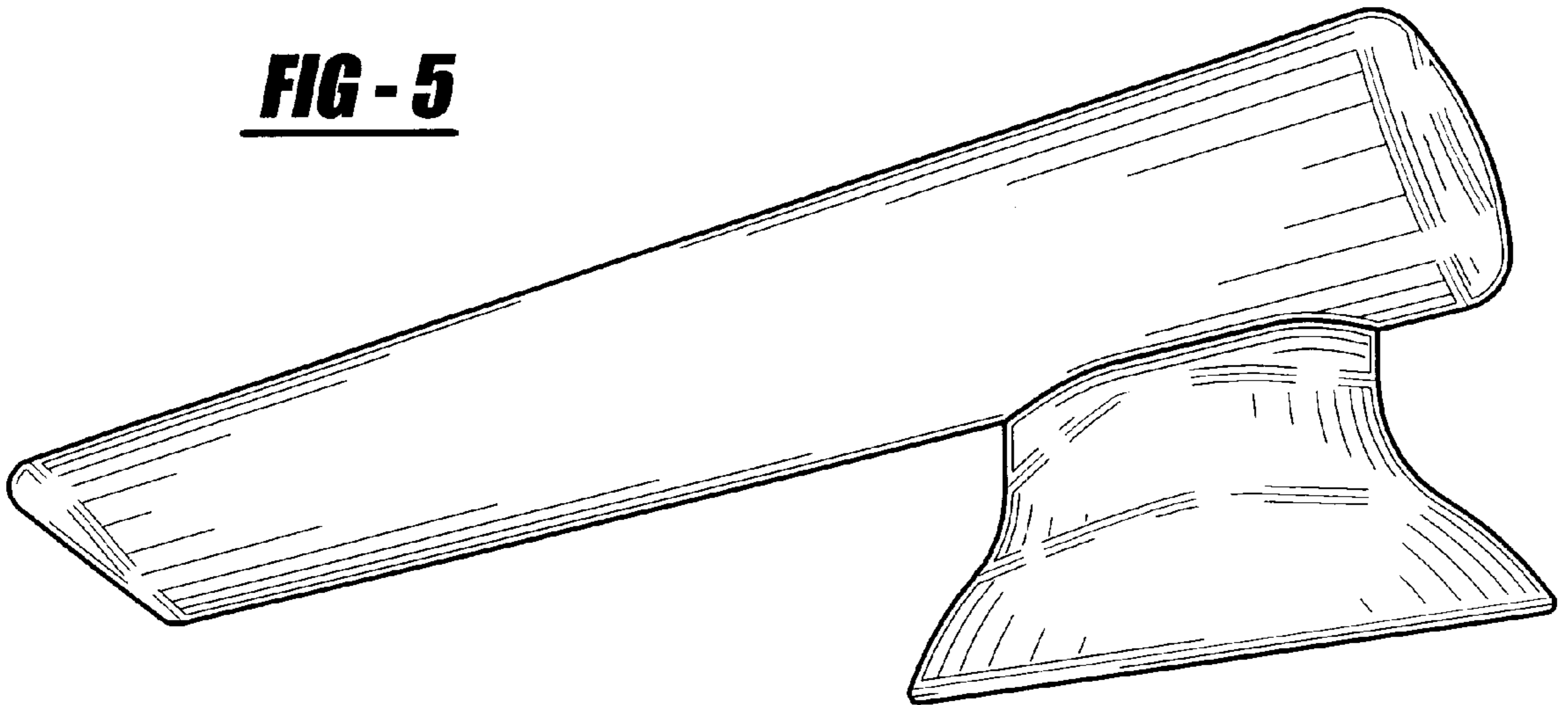


FIG - 6

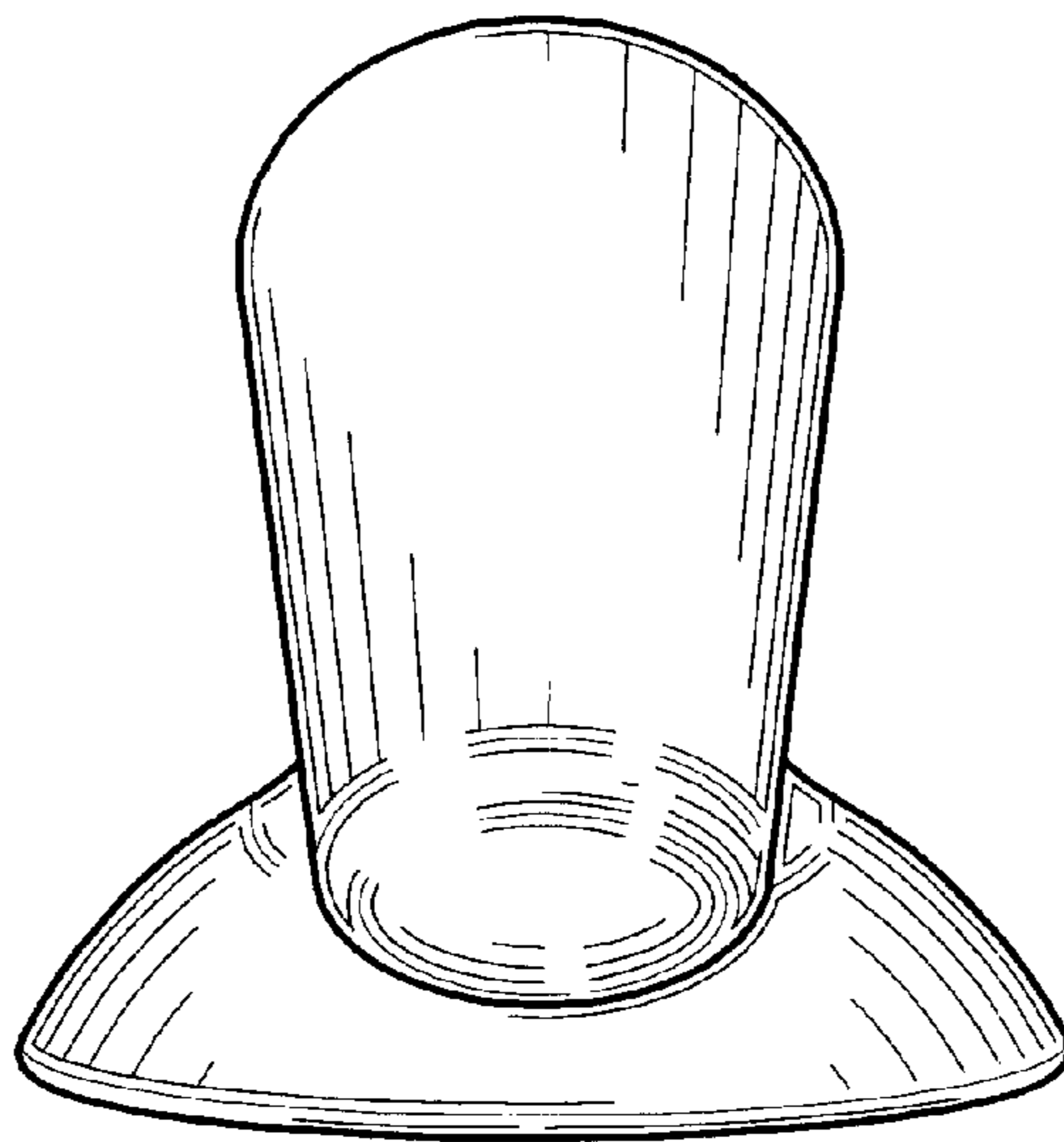


FIG - 7

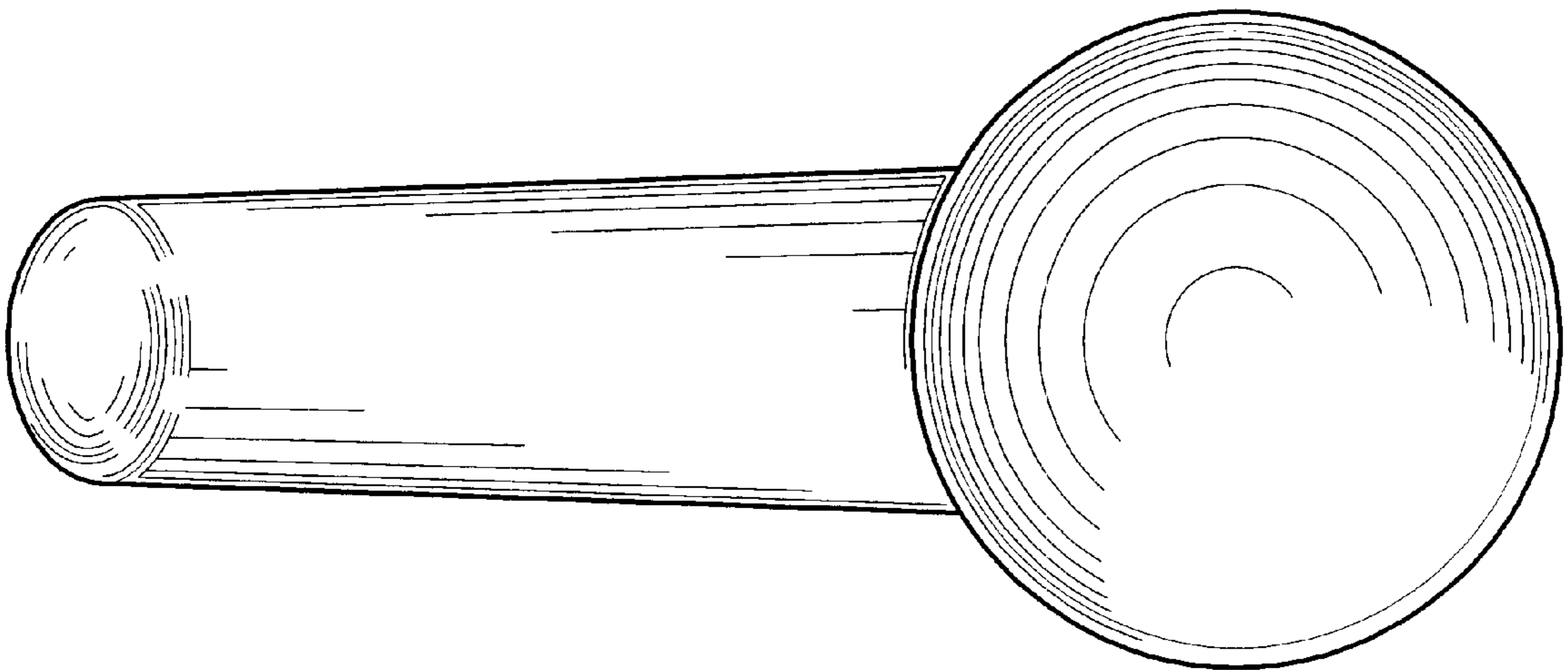
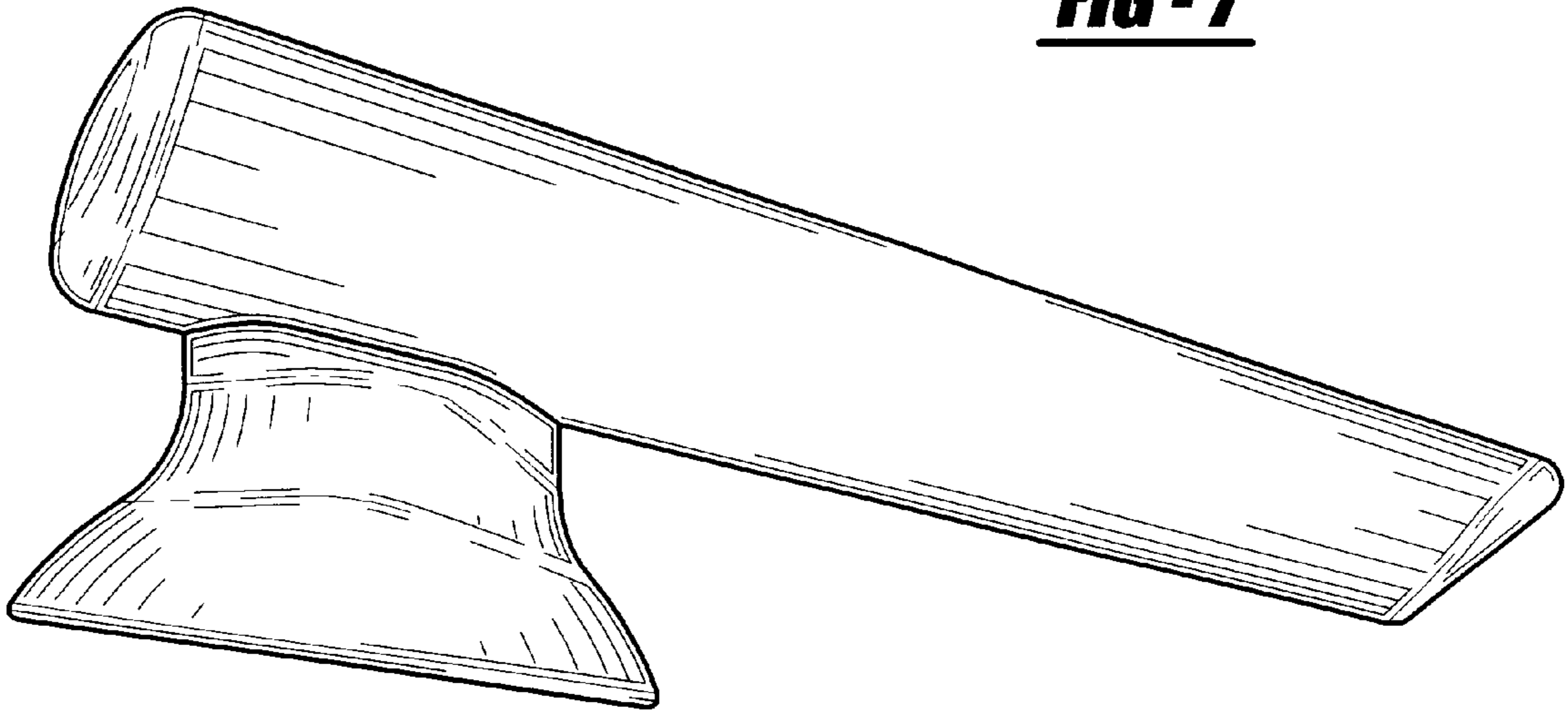


FIG - 8