



US00D484573S

(12) **United States Design Patent**
Haug et al.

(10) **Patent No.: US D484,573 S**

(45) **Date of Patent: ** Dec. 30, 2003**

(54) **GRIP FOR A SANITARY FAUCET**

(75) Inventors: **Andreas Haug**, Stuttgart (DE); **Tom Schönherr**, Stuttgart (DE); **Peter Kolin**, Schwäbisch-Gmünd (DE); **Fabian Kollmann**, Stuttgart (DE)

(73) Assignee: **Hansgrohe AG**, Schiltach (DE)

(**) Term: **14 Years**

(21) Appl. No.: **29/172,549**

(22) Filed: **Dec. 13, 2002**

(30) **Foreign Application Priority Data**

Jun. 14, 2002 (DE) 402 05 005

(51) **LOC (7) Cl.** **23-01**

(52) **U.S. Cl.** **D23/252**

(58) **Field of Search** D23/238-243,
D23/245, 250-257; D8/300-322, 350-353,
DIG. 3; 16/110.1; 4/675-678; 137/801

(56) **References Cited**

U.S. PATENT DOCUMENTS

D297,358 S * 8/1988 Hill D23/252
D319,867 S * 9/1991 Delepine D23/238
D392,721 S * 3/1998 Doughty et al. D23/252

D458,988 S * 6/2002 Schroder D23/243
D460,532 S * 7/2002 Marcichow et al. D23/252
D468,398 S * 1/2003 Ziemann D23/238

OTHER PUBLICATIONS

RubINETTERIE BANDINI brochure, "The collections", four pages, Mar., 2002.

FRAMO rubINETTERIA brochure, one page, Mar., 2002.

DORNBRAUCHT catalog, two pages, Mar., 2001.

* cited by examiner

Primary Examiner—Ian Simmons

Assistant Examiner—Gregory Andoll

(74) *Attorney, Agent, or Firm*—Duane Morris LLP

(57) **CLAIM**

The ornamental design for a grip for a sanitary faucet, as shown and described.

DESCRIPTION

FIG. 1: side perspective view of a grip for a sanitary faucet showing our new design;

FIG. 2: is a front elevation view thereof;

FIG. 3: is a side elevation view thereof the opposite side being a mirror image;

FIG. 4: is a rear elevation view thereof; and,

FIG. 5: is a top plan view thereof.

1 Claim, 5 Drawing Sheets

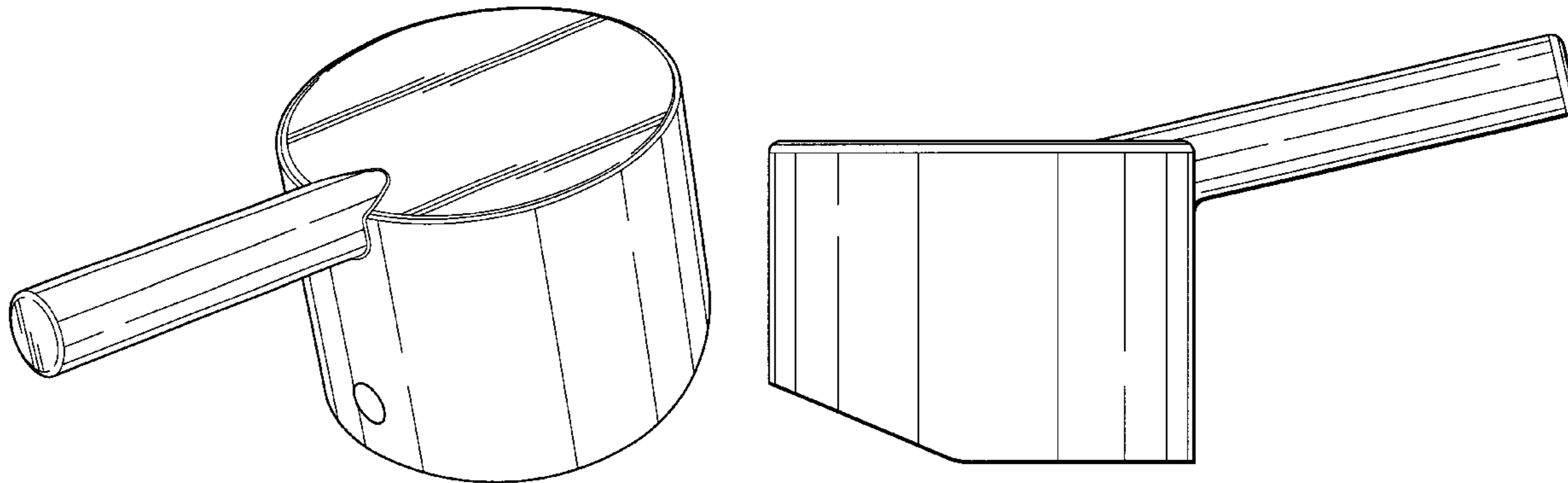


Fig. 1

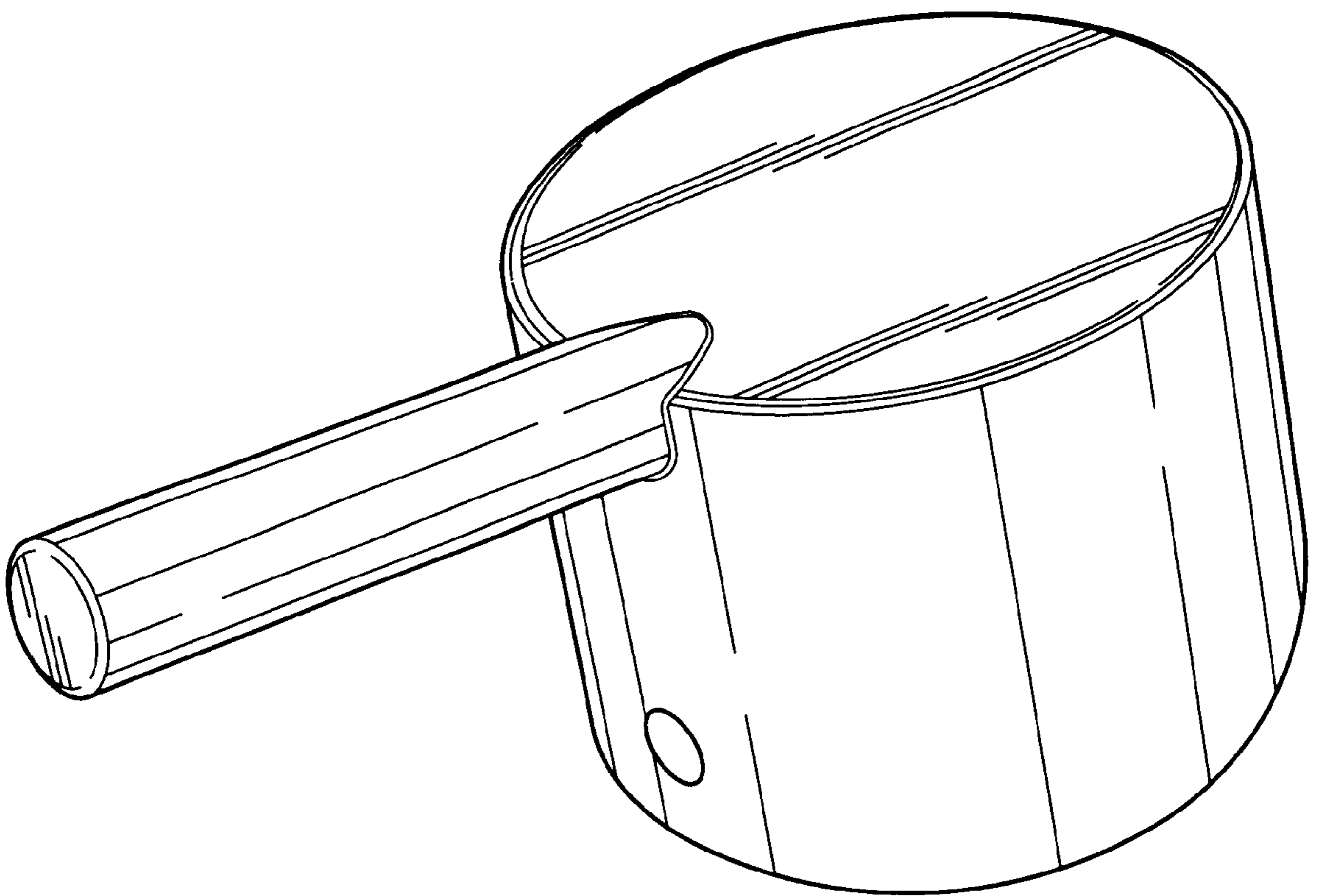


Fig. 2

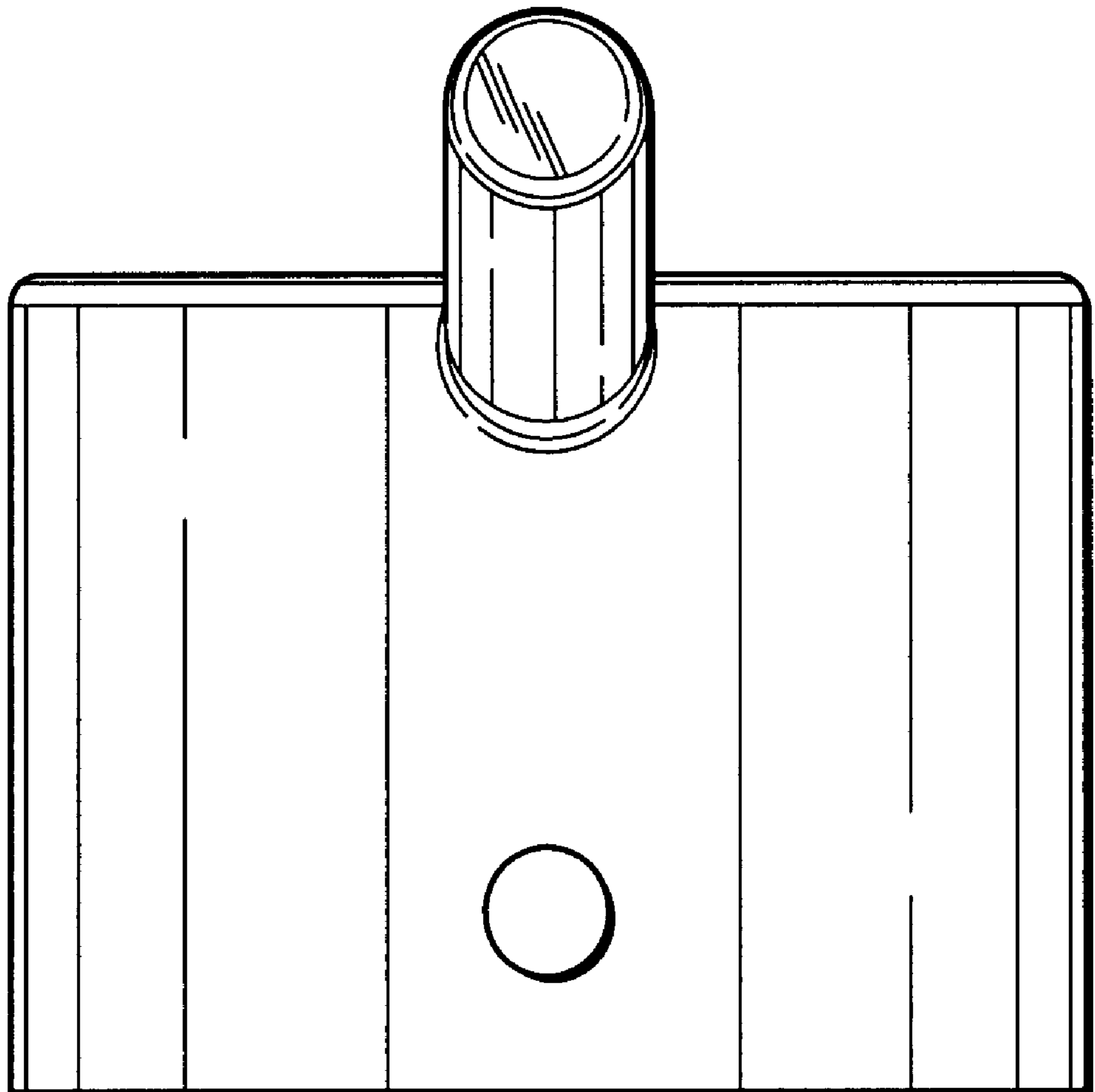


Fig. 3

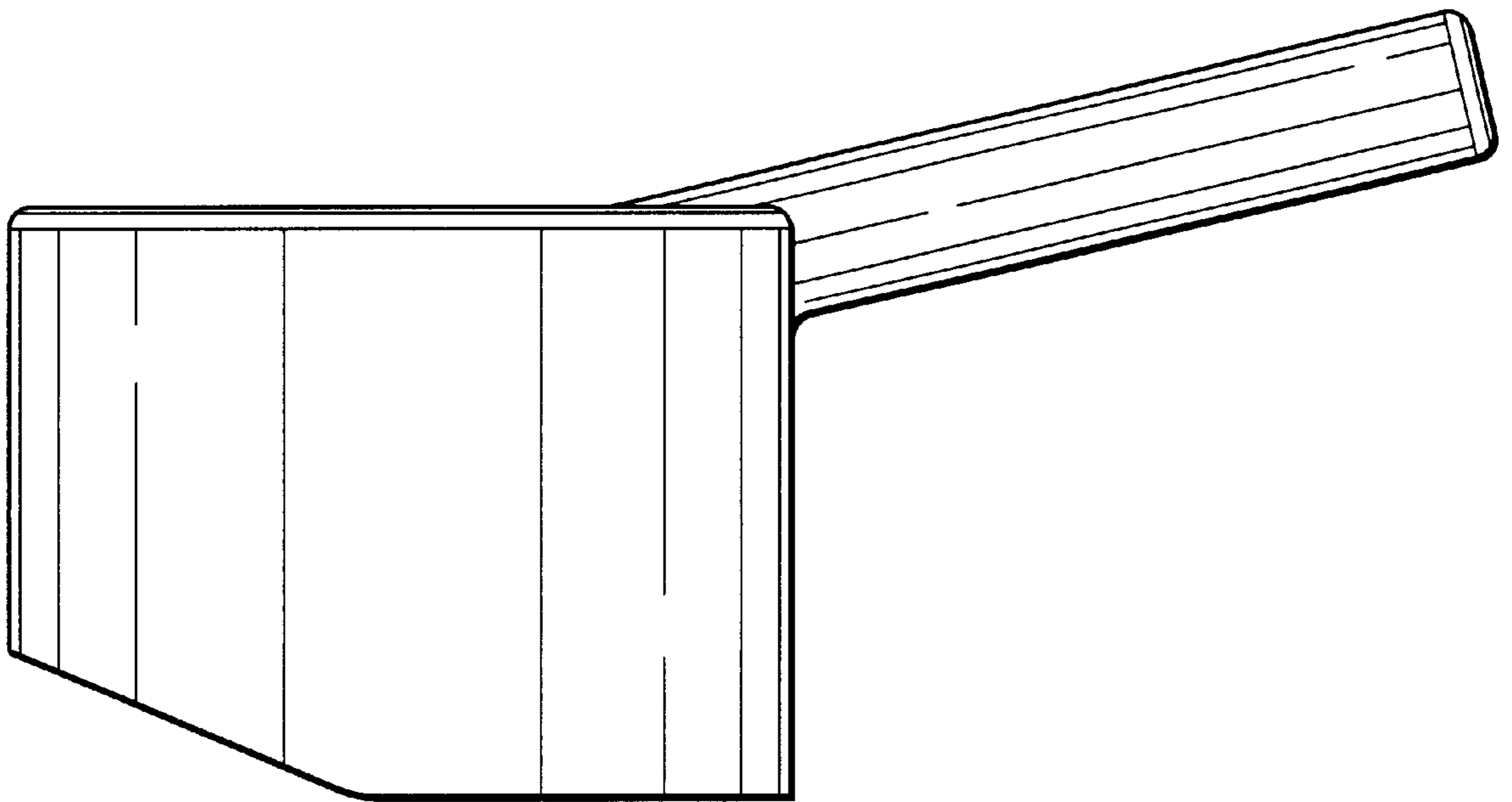


Fig. 4

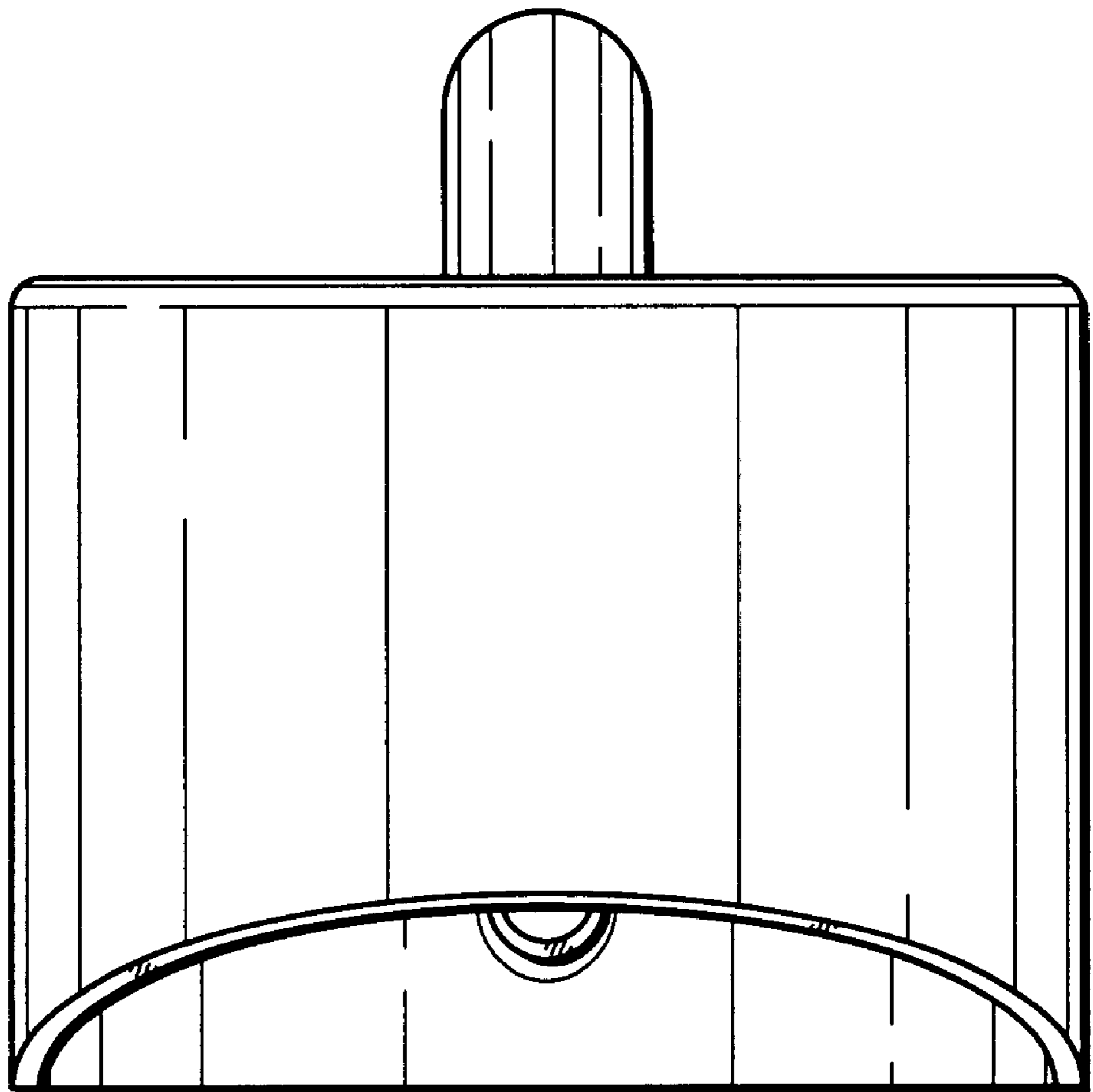


Fig. 5

