



US00D484567S

(12) **United States Design Patent**
Gaston et al.

(10) **Patent No.:** **US D484,567 S**

(45) **Date of Patent:** **** Dec. 30, 2003**

(54) **FAUCET-MOUNTED WATER TREATMENT DEVICE**

(75) Inventors: **Johannes Nikolai Gaston**, Minnetonka, MN (US); **Douglas James Vanorum**, Minnetonka, MN (US)

(73) Assignee: **PUR Water Purification Products, Inc.**, Cincinnati, OH (US)

(**) Term: **14 Years**

(21) Appl. No.: **29/134,009**

(22) Filed: **Mar. 5, 2001**

Related U.S. Application Data

(62) Division of application No. 29/117,786, filed on Jan. 27, 2000, now Pat. No. Des. 438,592.

(51) **LOC (7) Cl.** **23-01**

(52) **U.S. Cl.** **D23/209**

(58) **Field of Search** D23/207, 209;
210/459, 460, 461, 266, 232

(56) **References Cited**

U.S. PATENT DOCUMENTS

3,519,134	A	7/1970	Hassinger	
D242,249	S	* 11/1976	Corder et al.	D23/209
D253,066	S	10/1979	Karamian	
4,287,057	A	9/1981	Stanley	
4,504,389	A	3/1985	Rundzaitis	
5,171,442	A	12/1992	Nakshbendi	
5,344,558	A	9/1994	Kool	
D358,868	S	5/1995	Hembree et al.	
D398,369	S	* 9/1998	Hayes et al.	D23/209
D398,703	S	* 9/1998	Hayes et al.	D23/209
5,833,849	A	* 11/1998	Primdahl	210/232
D410,273	S	* 5/1999	Hunter et al.	D23/209
D438,592	S	* 3/2001	Gaston et al.	D23/209

OTHER PUBLICATIONS

SEARS Owner's Manual for WaterWorks Deluxe Faucet Water Filter with Electronic Indicator, Model No. 625.345300, (Rev. Jan. 15, 1996).

Peter Giannetti, Homeworld Business®, Mar. 30–Apr. 12, 1998, p. 119, “Honeywell Adds Faucet–Mount Water Filtration For Deeper Presence”.

Color photos of Brita® faucet filter.

Color photos of Culligan® faucet filter.

Color photos of Instapure® faucet filter.

Color photos of Pixie PRO faucet filter.

Color photos of Teledyne Water Pik® faucet filter.

Exhibit A: Color photos of unidentified faucet filter “Made in Japan”.

Exhibit B: Color photos of unidentified faucet filter “Made in Japan”.

Exhibit C: Color photos of unidentified faucet filter “Made in Japan”.

Exhibit D: Color photos of unidentified faucet filter “Made in Japan”.

Exhibit E: Color photos of unidentified faucet filter “Made in Japan”.

Exhibit F: Color photos of unidentified faucet filter.

Exhibit G: Color photos of unidentified faucet filter.

* cited by examiner

Primary Examiner—Robin V. Taylor

(74) *Attorney, Agent, or Firm*—Merchant & Gould PC

(57) **CLAIM**

The ornamental design for a faucet-mounted water treatment device, as shown and described.

DESCRIPTION

FIG. 1 is a perspective view of our new design for a faucet-mounted water treatment device;

FIG. 2 is a front elevational view thereof;

FIG. 3 is a rear elevational view thereof;

FIG. 4 is a left side elevational view thereof;

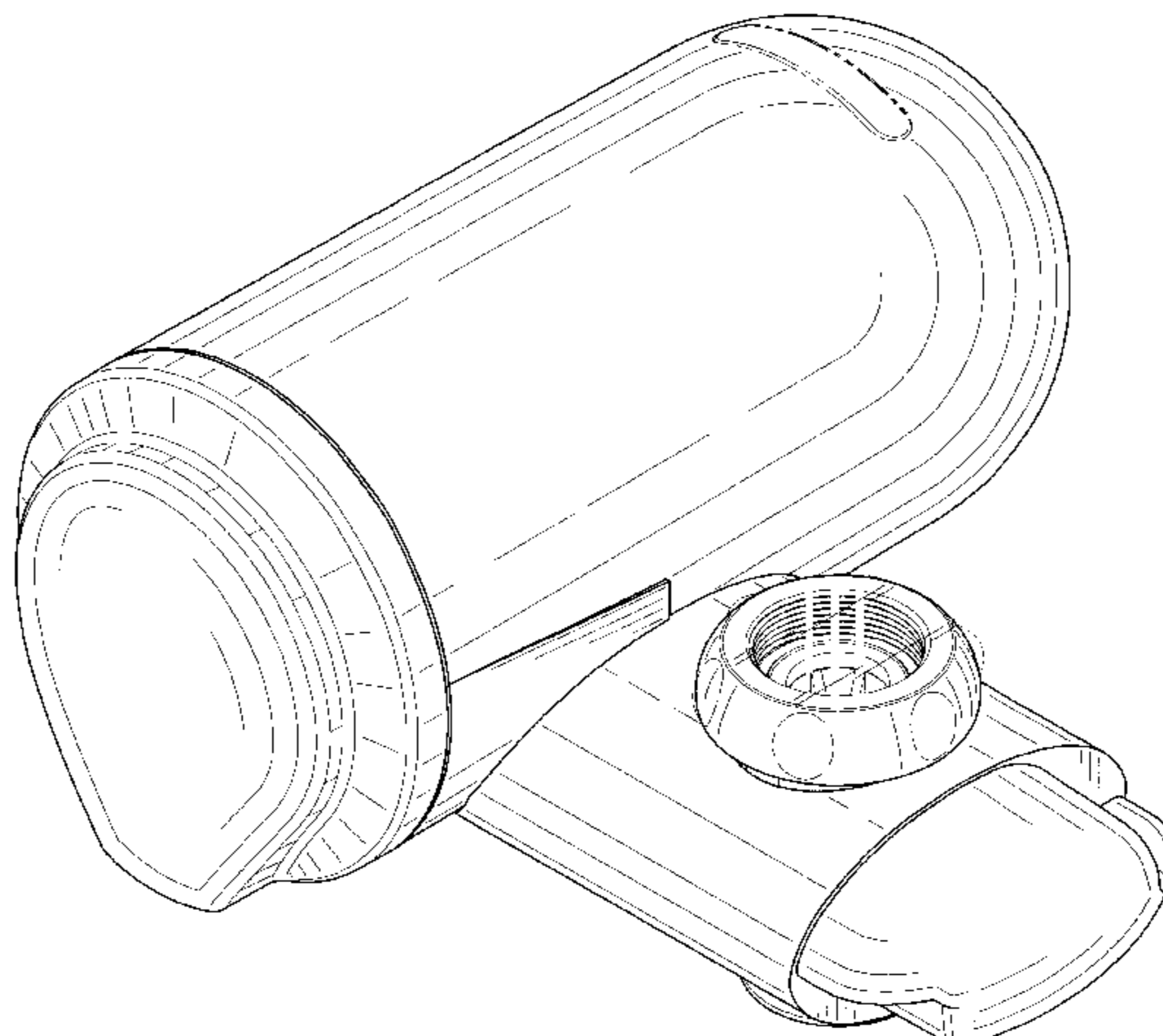
FIG. 5 is a right side elevational view thereof;

FIG. 6 is a top plan view thereof; and,

FIG. 7 is a bottom plan view thereof.

The broken line showing of is for illustrative purposes only and forms no part of the claimed design.

1 Claim, 7 Drawing Sheets



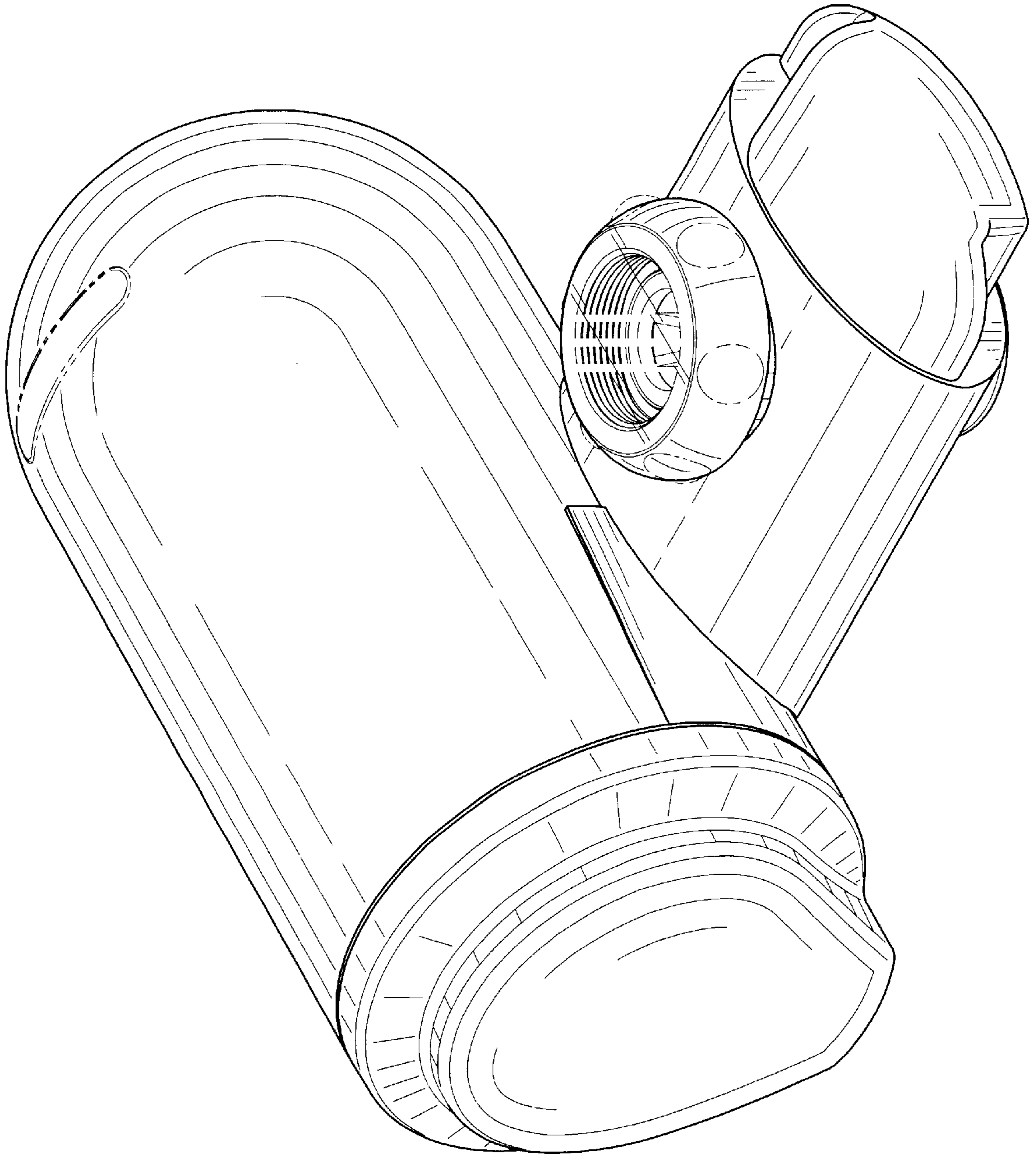


FIG. 1

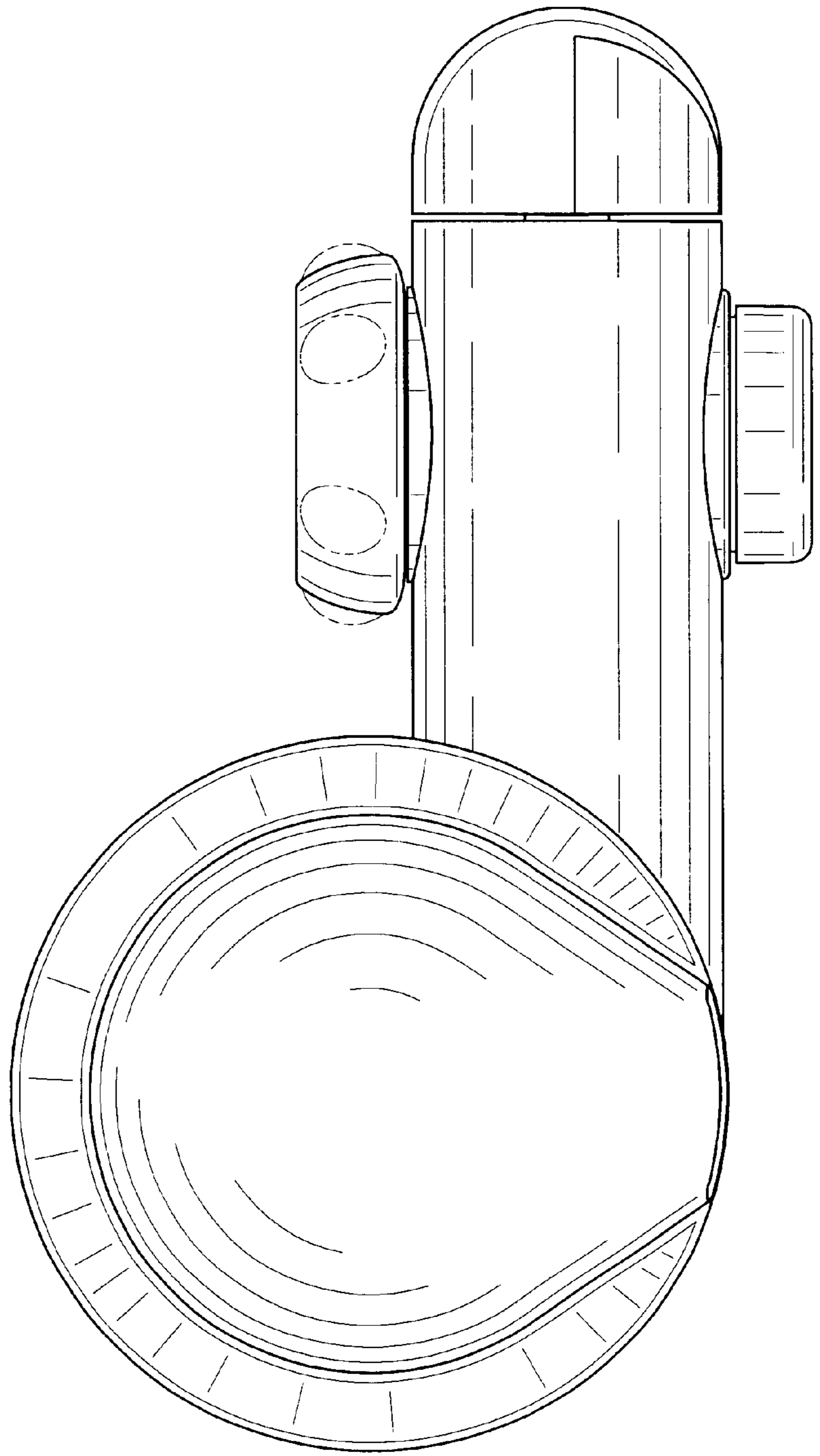


FIG. 2

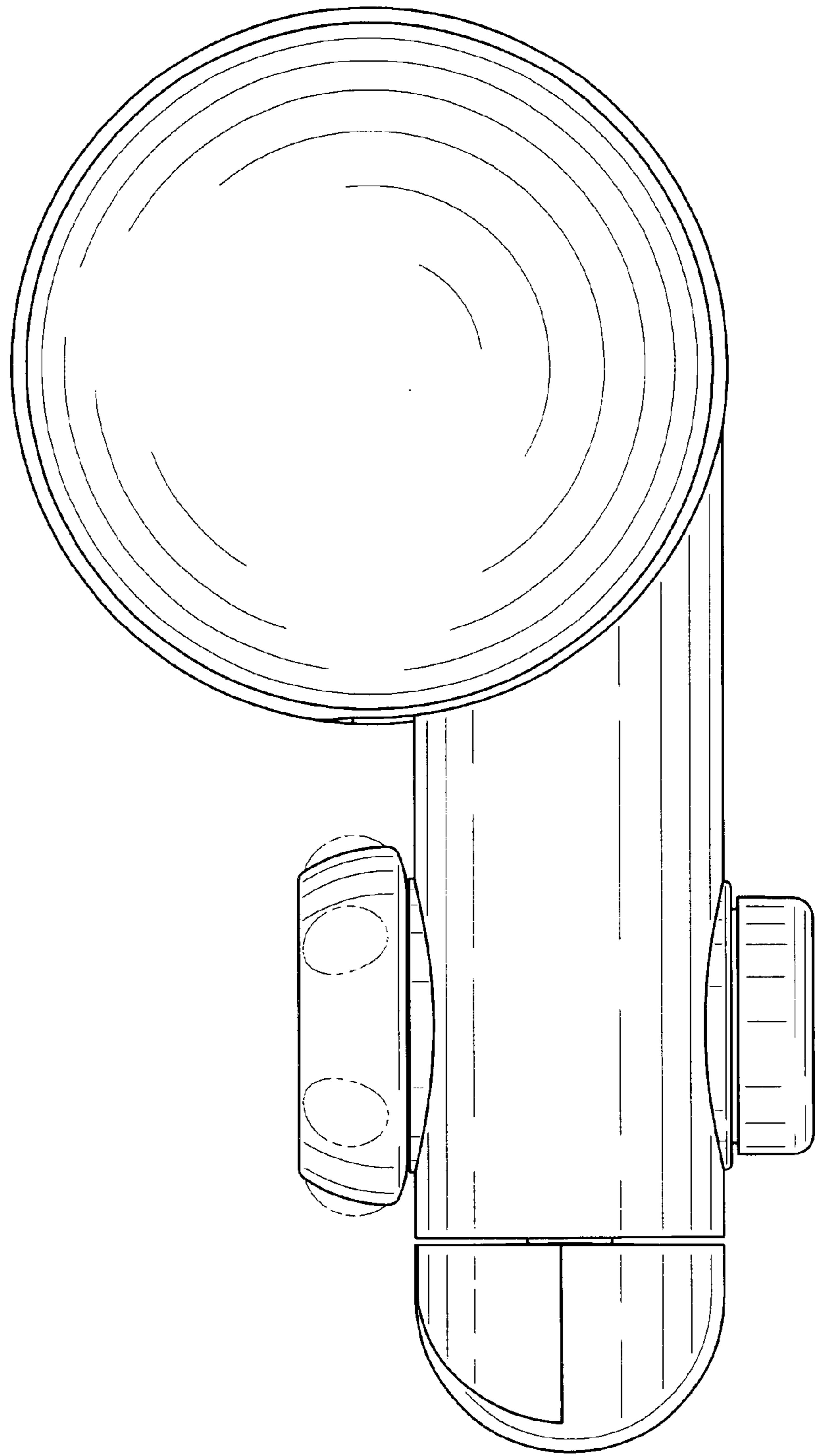


FIG. 3

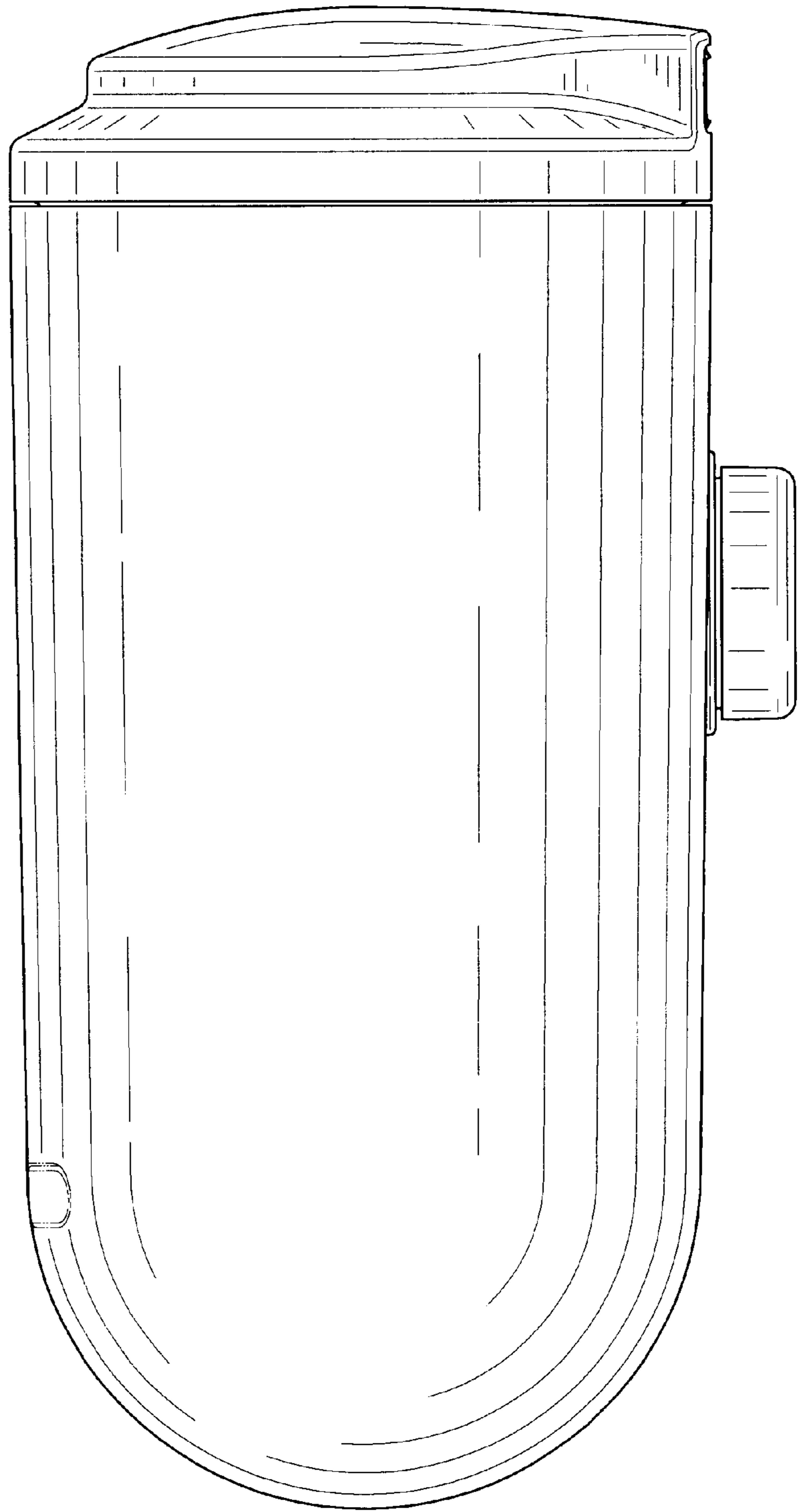


FIG. 4

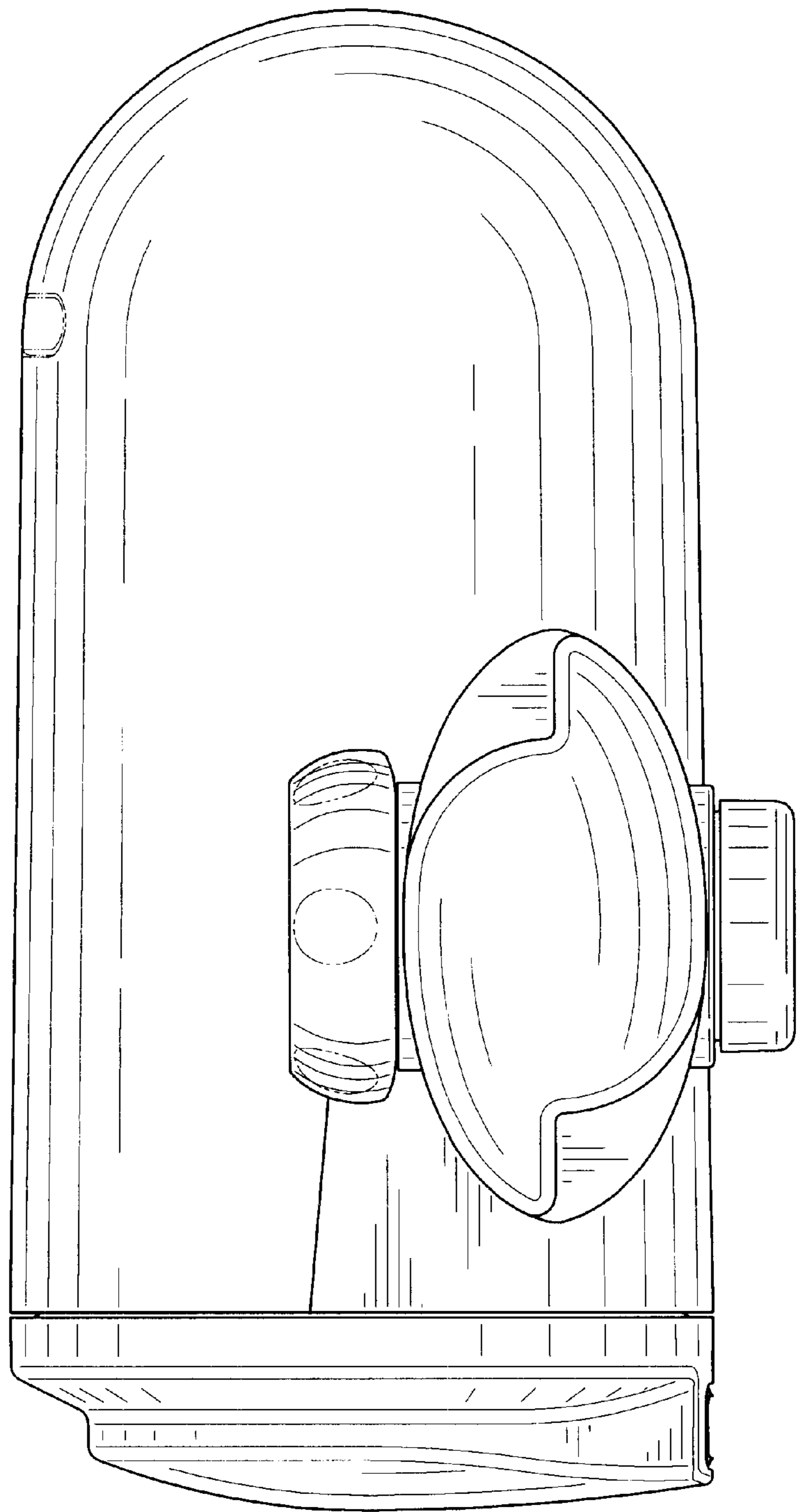


FIG. 5

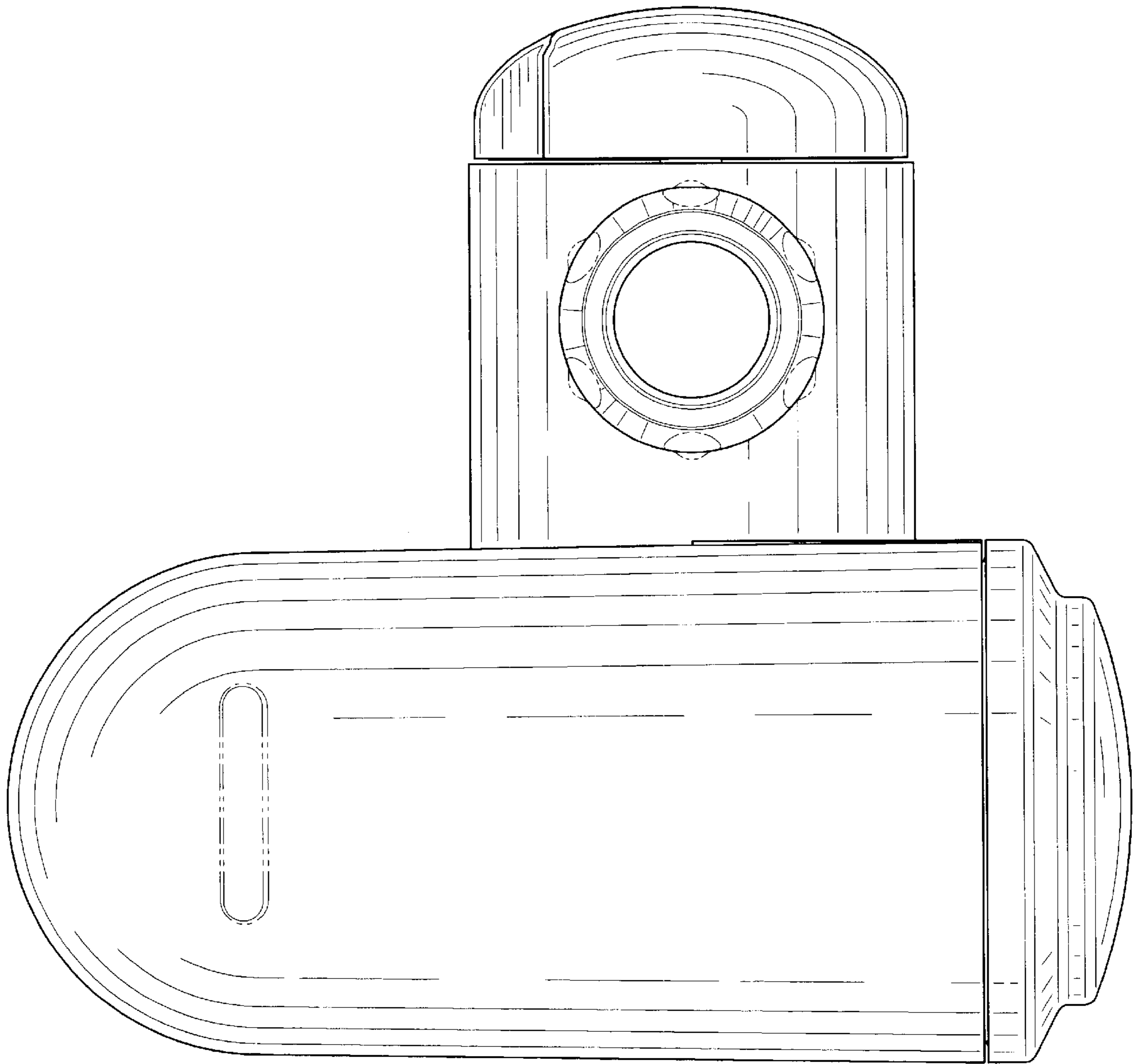


FIG. 6

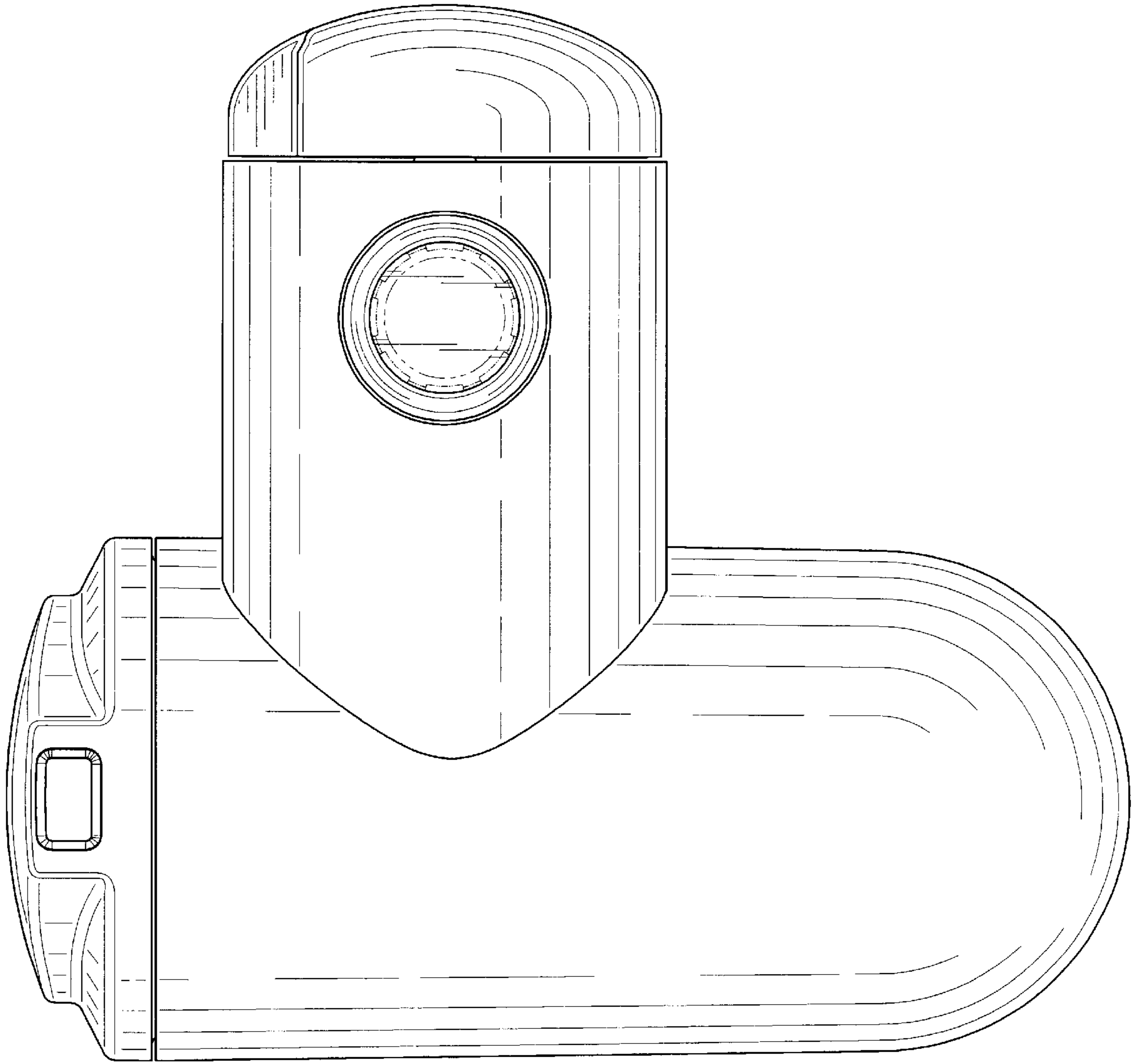


FIG. 7