



US00D484566S

(12) **United States Design Patent**
Legeay

(10) **Patent No.:** **US D484,566 S**

(45) **Date of Patent:** **** Dec. 30, 2003**

(54) **LAVATORY CLEANING DEVICE**
(75) Inventor: **Vincent Legeay**, Guichen (FR)
(73) Assignee: **Reckitt Benckiser, Inc.**, Wayne, NJ (US)
(**) Term: **14 Years**

D219,776 S * 1/1971 Jacobs D23/208
3,668,717 A 6/1972 Curran
D273,607 S 4/1984 Joyaux et al.
4,805,246 A 2/1989 De Vargas et al.
D307,934 S 5/1990 Verebelyi
D361,109 S * 8/1995 Davis, Jr. D23/208
D387,848 S 12/1997 Thompson et al.
6,389,610 B1 5/2002 Hautmann et al.
D466,583 S * 12/2002 Heijdenrijk D23/208

(21) Appl. No.: **29/179,108**
(22) Filed: **Apr. 3, 2003**

* cited by examiner

Related U.S. Application Data

(62) Division of application No. 29/160,915, filed on May 16, 2002, now Pat. No. Des. 475,118.

Primary Examiner—Robin V. Taylor
(74) *Attorney, Agent, or Firm*—Akin Gump Strauss Hauer & Feld LLP

(30) **Foreign Application Priority Data**

Nov. 16, 2001 (GB) 2106319
Apr. 11, 2002 (GB) 3002864
Apr. 11, 2002 (GB) 3002865
Apr. 11, 2002 (GB) 3002866

(57) **CLAIM**

The ornamental design for a lavatory cleaning device, as shown and described.

(51) **LOC (7) Cl.** **23-01**
(52) **U.S. Cl.** **D23/208**
(58) **Field of Search** D23/208; 4/227.1, 4/227.4, 227.5, 231, 227.7

DESCRIPTION

FIG. 1 is a front perspective view of a lavatory cleaning device in accordance with my new design;
FIG. 2 is a front elevational view thereof;
FIG. 3 is a right side elevational view thereof;
FIG. 4 is a top plan view thereof;
FIG. 5 is a rear elevational view thereof;
FIG. 6 is a left side elevational view thereof; and,
FIG. 7 is a bottom plan view thereof.

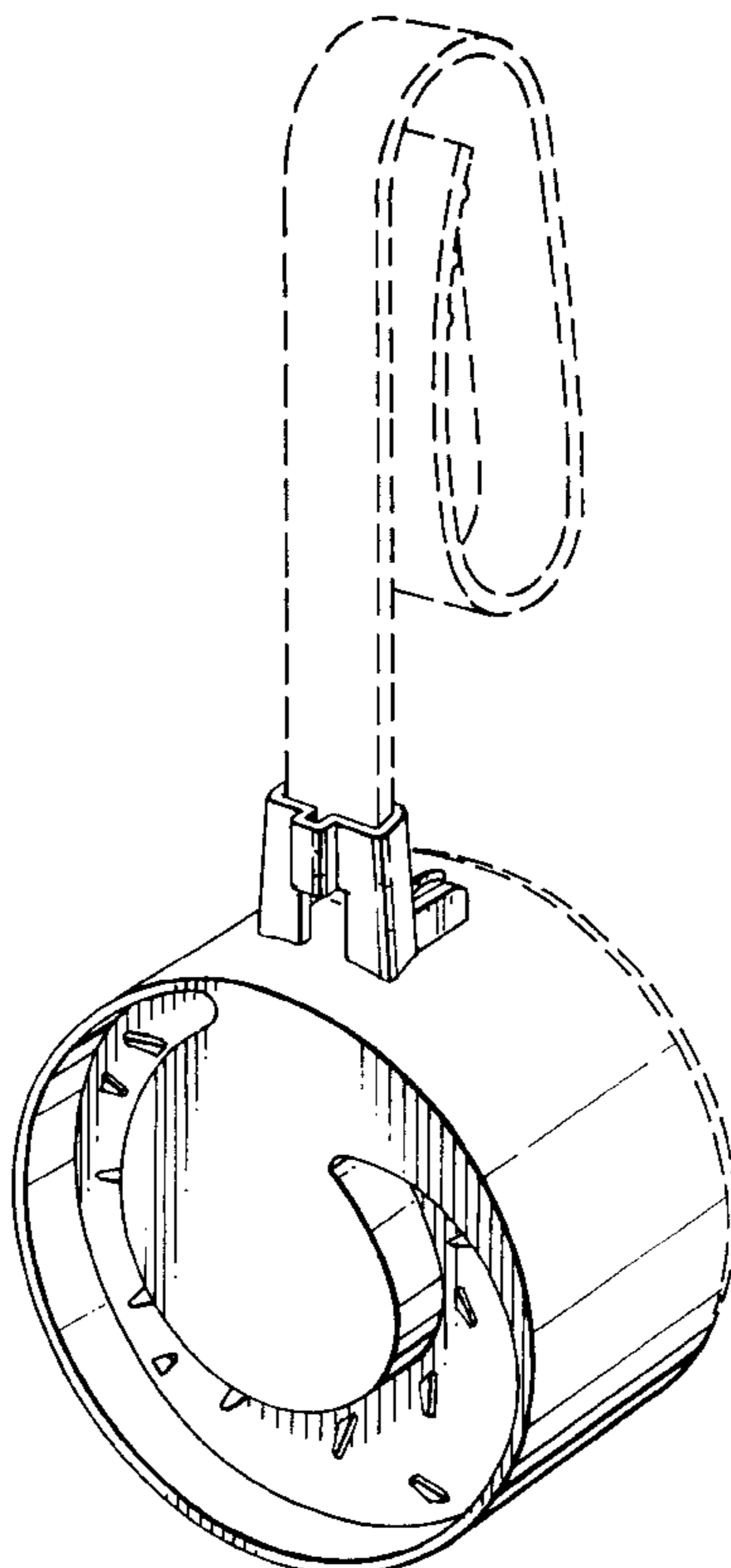
(56) **References Cited**

U.S. PATENT DOCUMENTS

D202,888 S * 11/1965 Mahler D23/208

The broken lines in the figures are for illustrative purposes only and form no part of the claimed design.

1 Claim, 3 Drawing Sheets



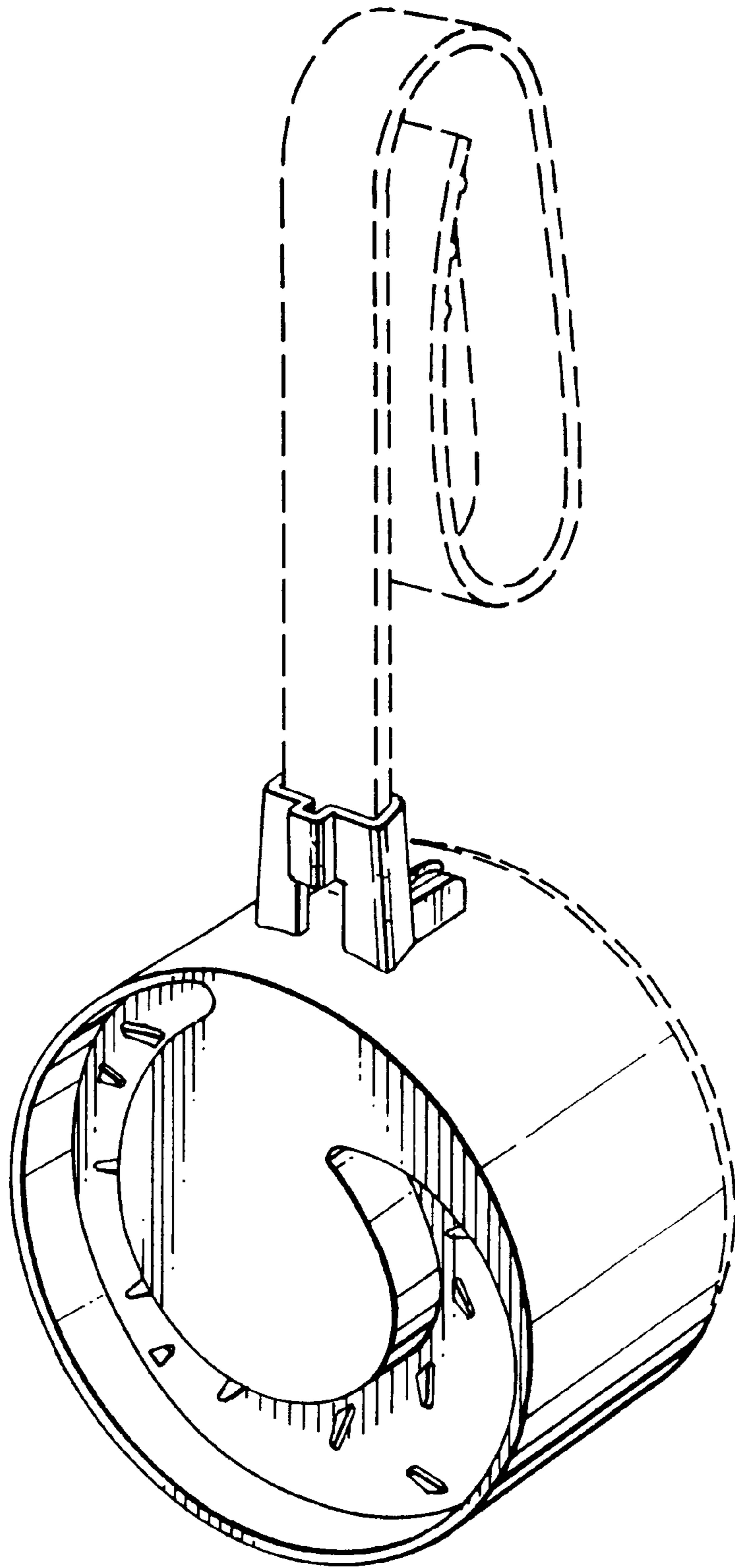


Fig. 1.

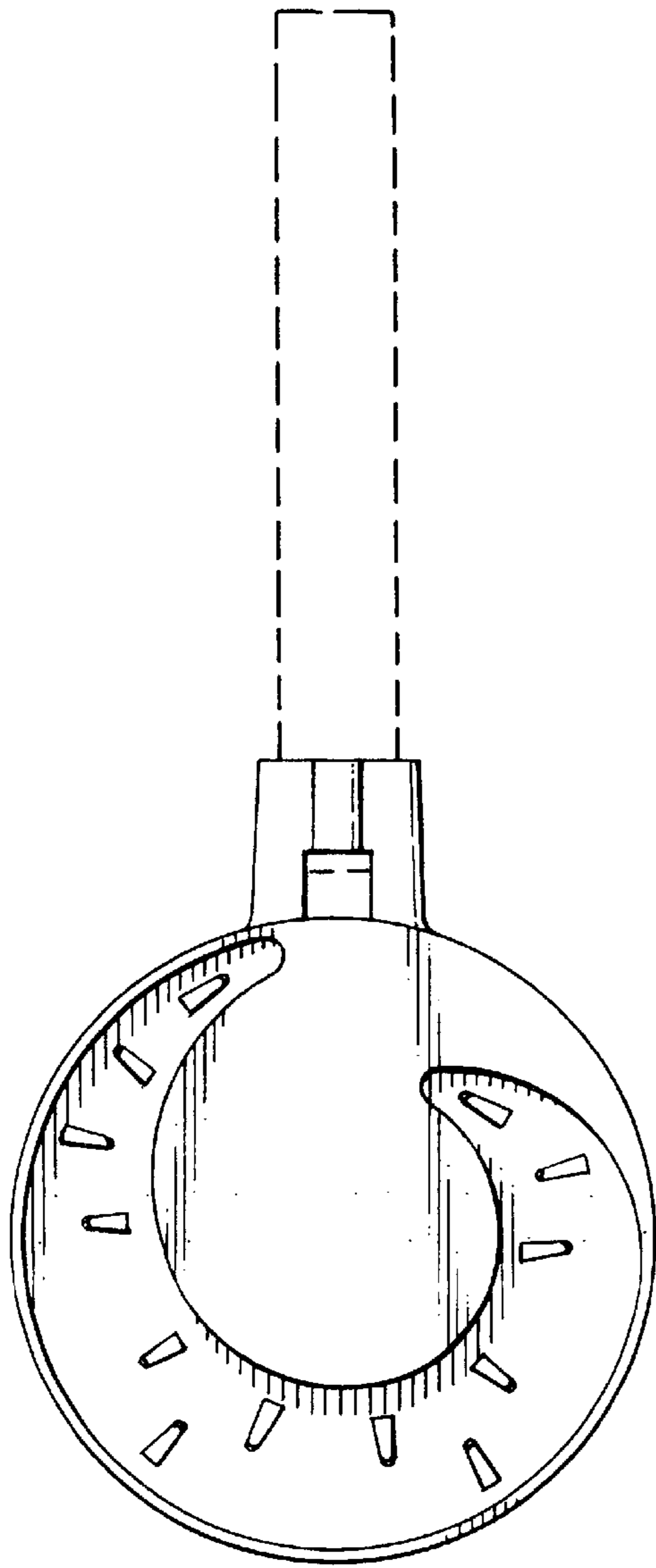


Fig.2.

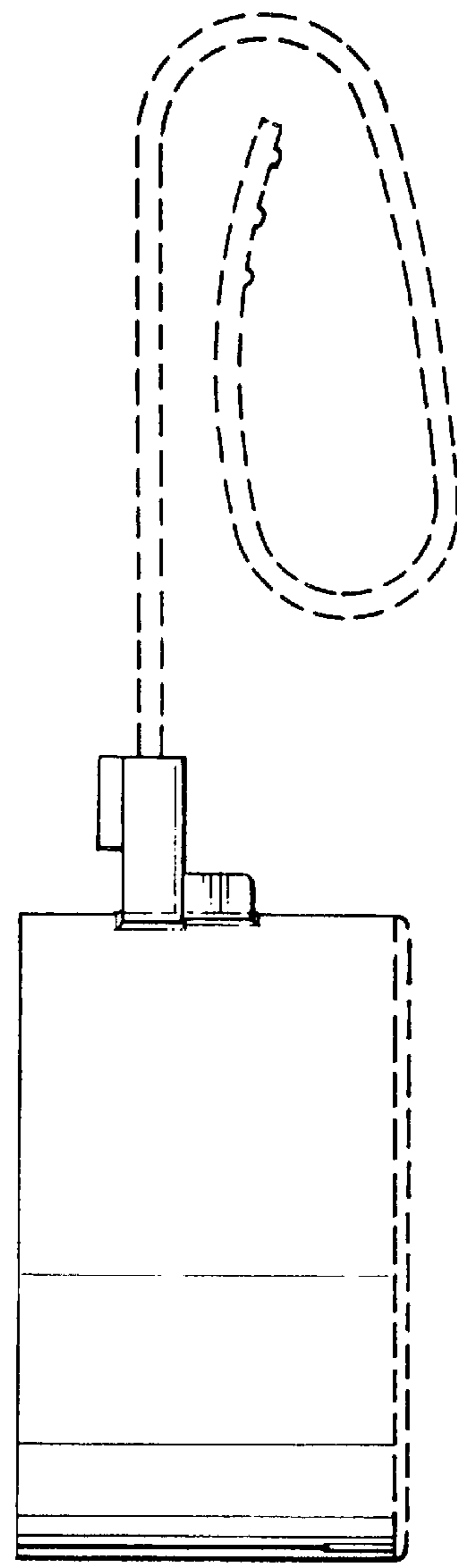


Fig.3.

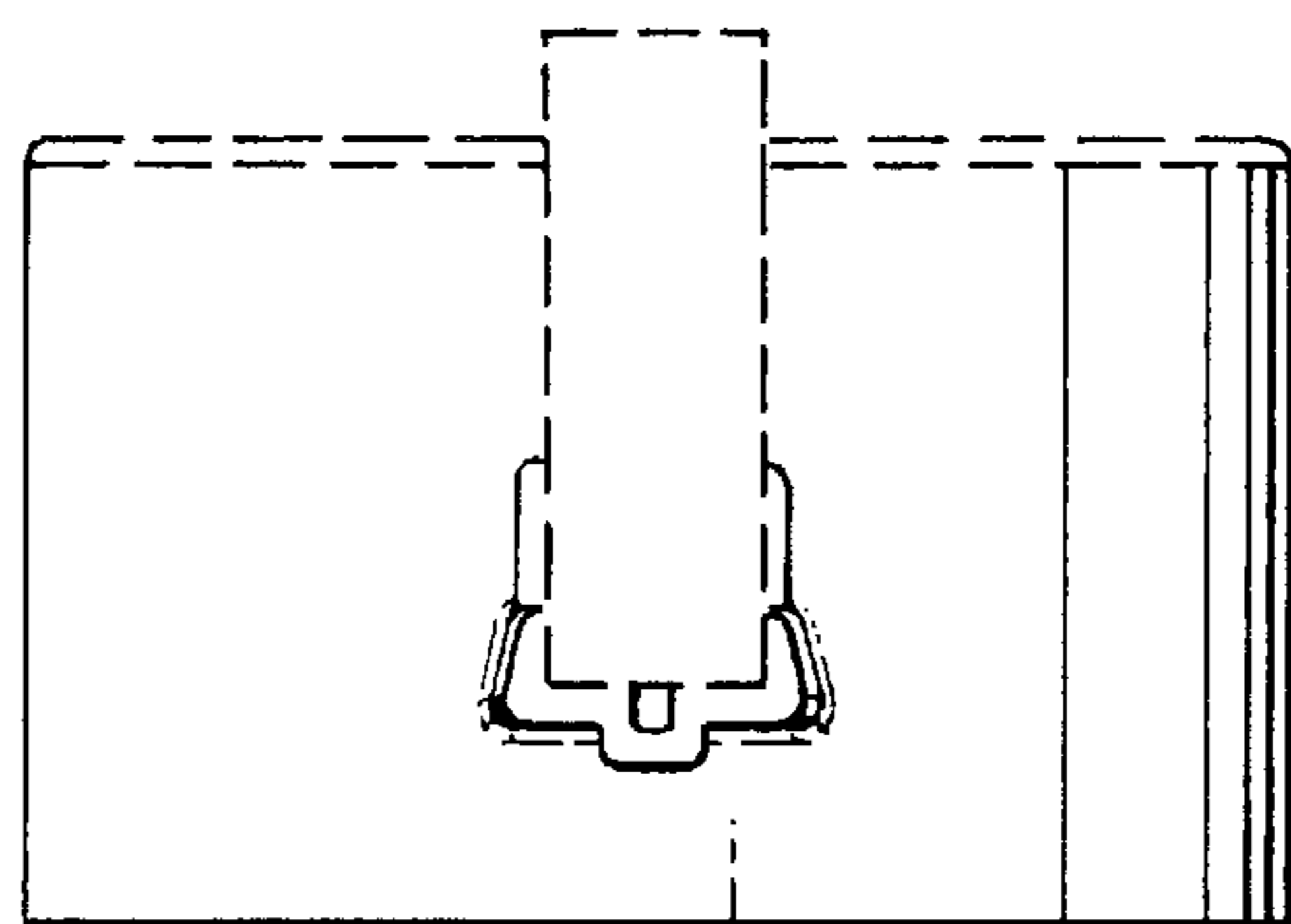


Fig.4.

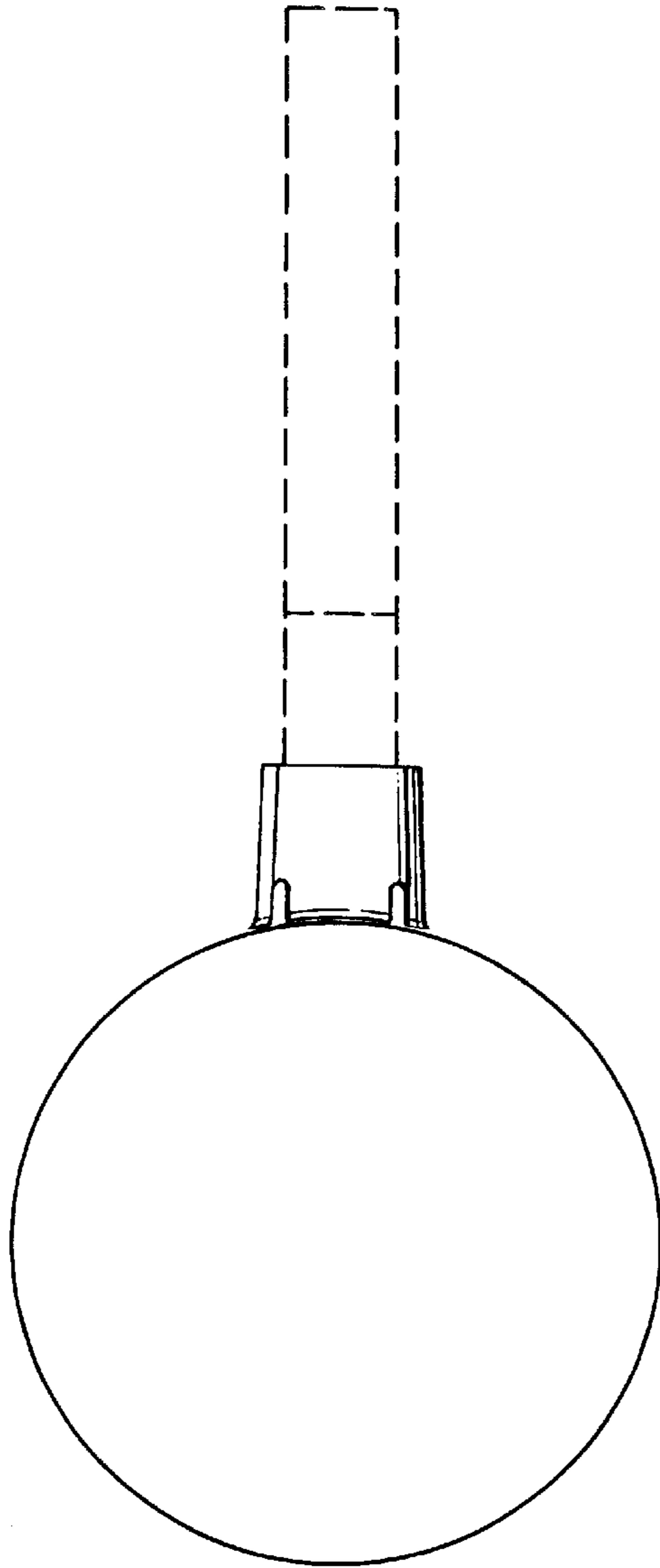


Fig.5.

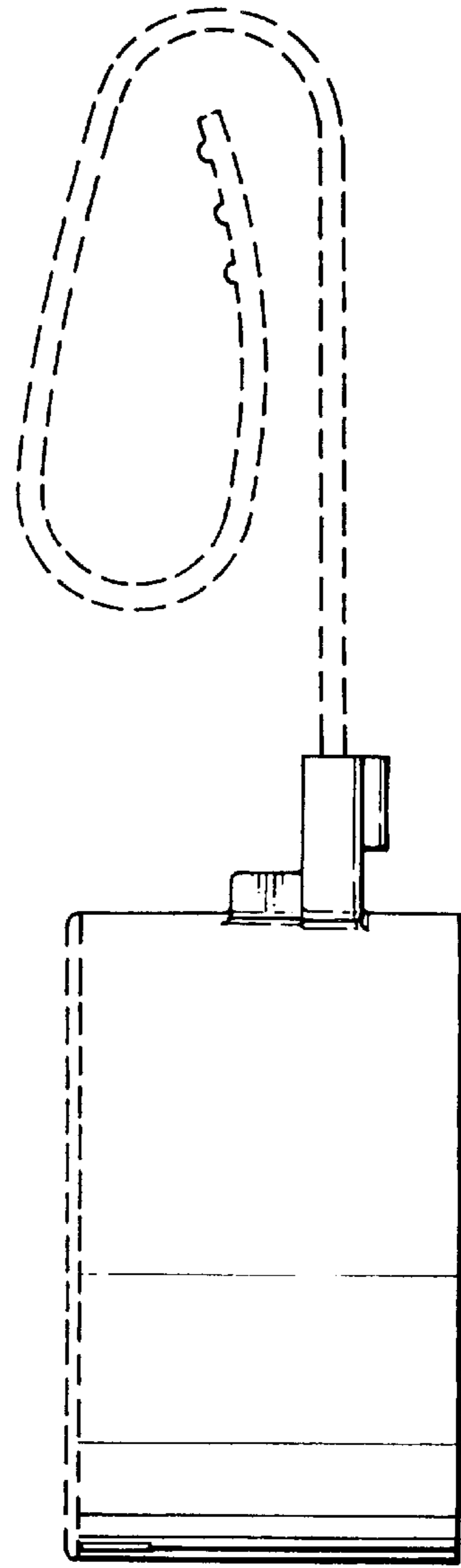


Fig.6.

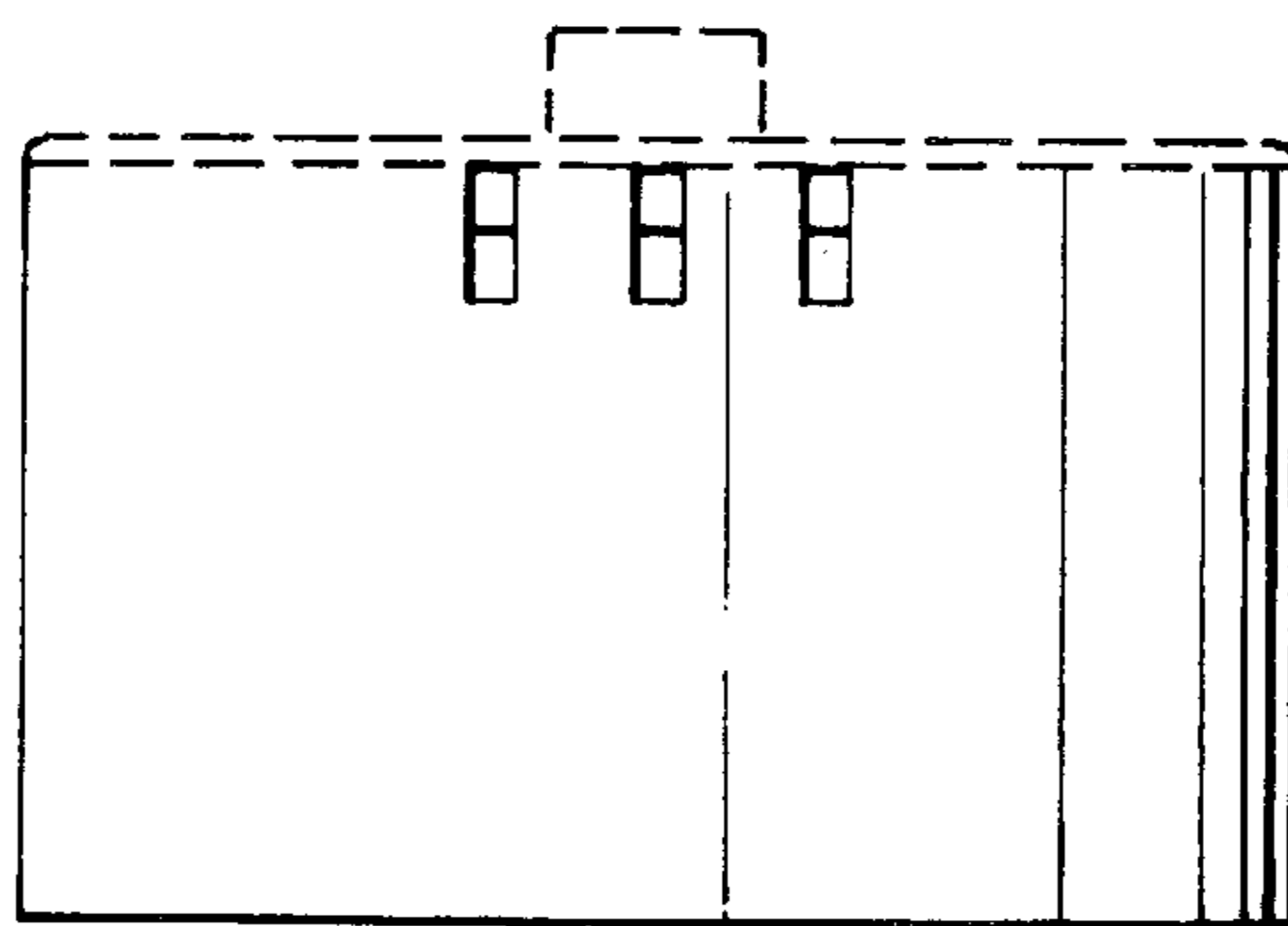


Fig.7.