



US00D484565S

(12) **United States Design Patent**
Ariaz

(10) **Patent No.:** **US D484,565 S**

(45) **Date of Patent:** **** Dec. 30, 2003**

(54) **FRAME FOR FOGGER ASSEMBLY**

(76) Inventor: **Danny L. Ariaz**, 7575 Tamra Dr.,
Reno, NV (US) 89506

(**) Term: **14 Years**

(21) Appl. No.: **29/176,503**

(22) Filed: **Feb. 21, 2003**

(51) **LOC (7) Cl.** **23-01**

(52) **U.S. Cl.** **D23/200**

(58) **Field of Search** D23/200, 213,
D23/214; 248/637, 678, 188.1; 239/2.1-14.1,
DIG. 7

(56) **References Cited**

U.S. PATENT DOCUMENTS

2,052,626	A	*	9/1936	Houghton	239/2.1
D213,956	S	*	4/1969	Jones, Jr. et al.	D23/200
3,934,817	A	*	1/1976	Barry et al.	239/2.1
4,461,447	A	*	7/1984	Gottlob	248/678
5,407,171	A	*	4/1995	Gonzalez	248/670
D367,314	S	*	2/1996	Nilsson	D23/200
D457,935	S		5/2002	Ariaz		

OTHER PUBLICATIONS

Catalog of Foggers, thermal and ULV aerosol generators, electric and pulse jet, Bugpage.com, United Spray Systems, Inc., <http://www.bugpage.com/foggers.html> (Jan. 15, 2003).

* cited by examiner

Primary Examiner—Robin V. Taylor

(74) *Attorney, Agent, or Firm*—James F. Hann; Haynes Beffel & Wolfeld LLP

(57) **CLAIM**

The ornamental design for a frame for fogger assembly, as shown and described.

DESCRIPTION

The frame for a fogger assembly is used to support the components of a fogger assembly used to dispense liquids as a mist or fog.

FIG. 1 is an isometric view of a frame for a fogger assembly showing my new design;

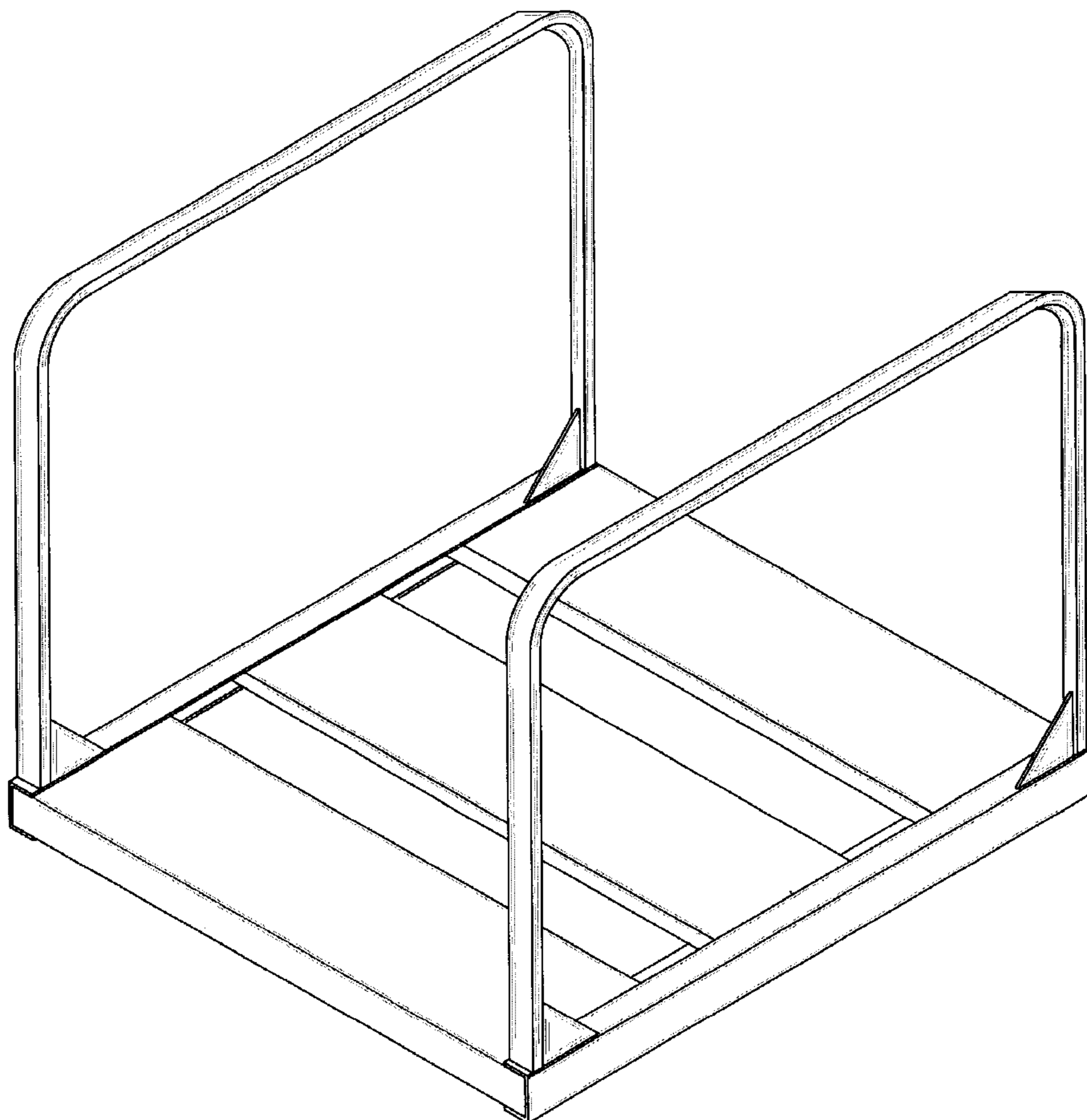
FIG. 2 is a front elevation view thereof, the rear elevation view being identical;

FIG. 3 is a right side elevation view thereof the left side elevation being identical;

FIG. 4 is a top plan view thereof; and,

FIG. 5 is a bottom plan view thereof.

1 Claim, 5 Drawing Sheets



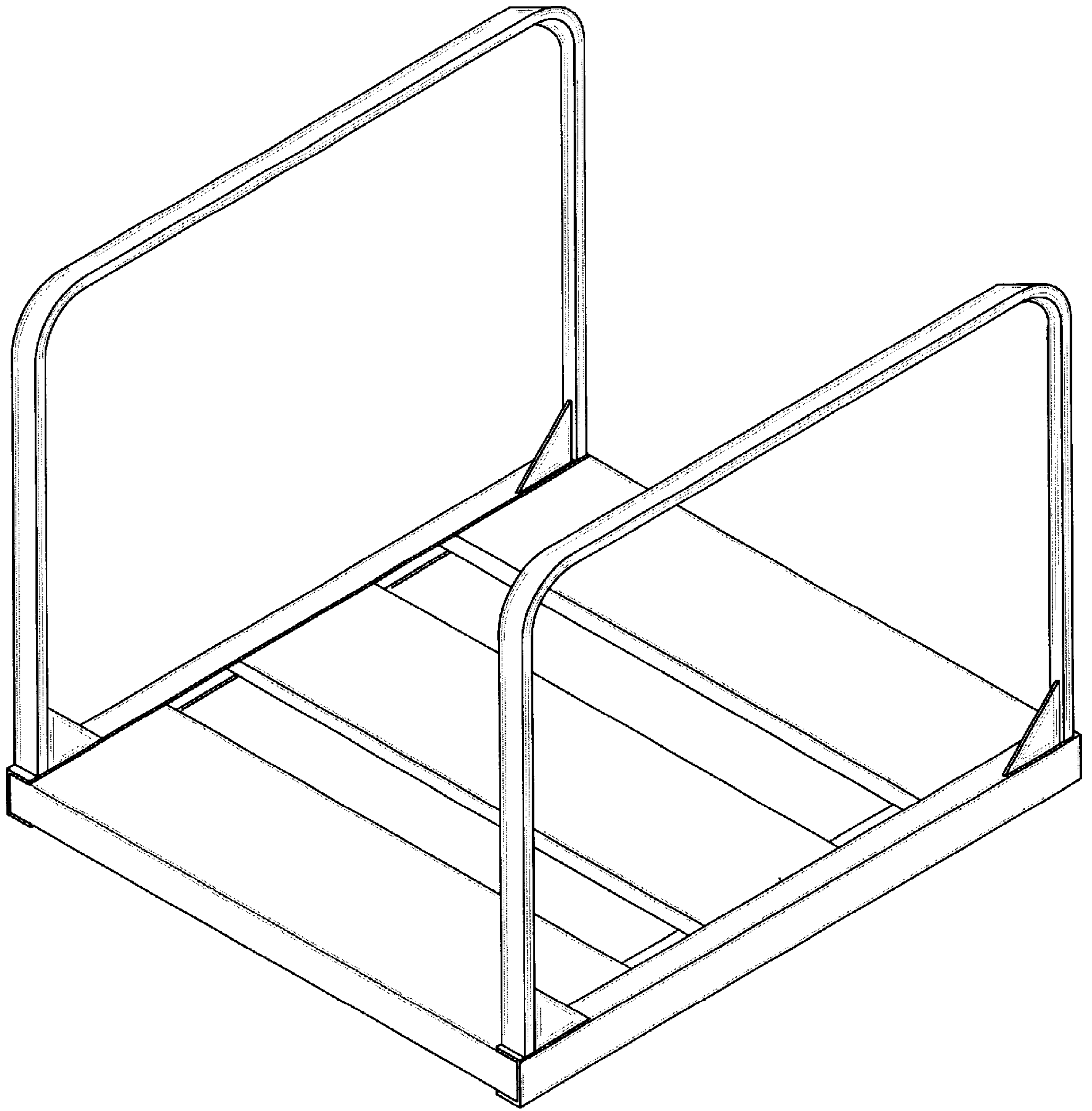


FIG. 1

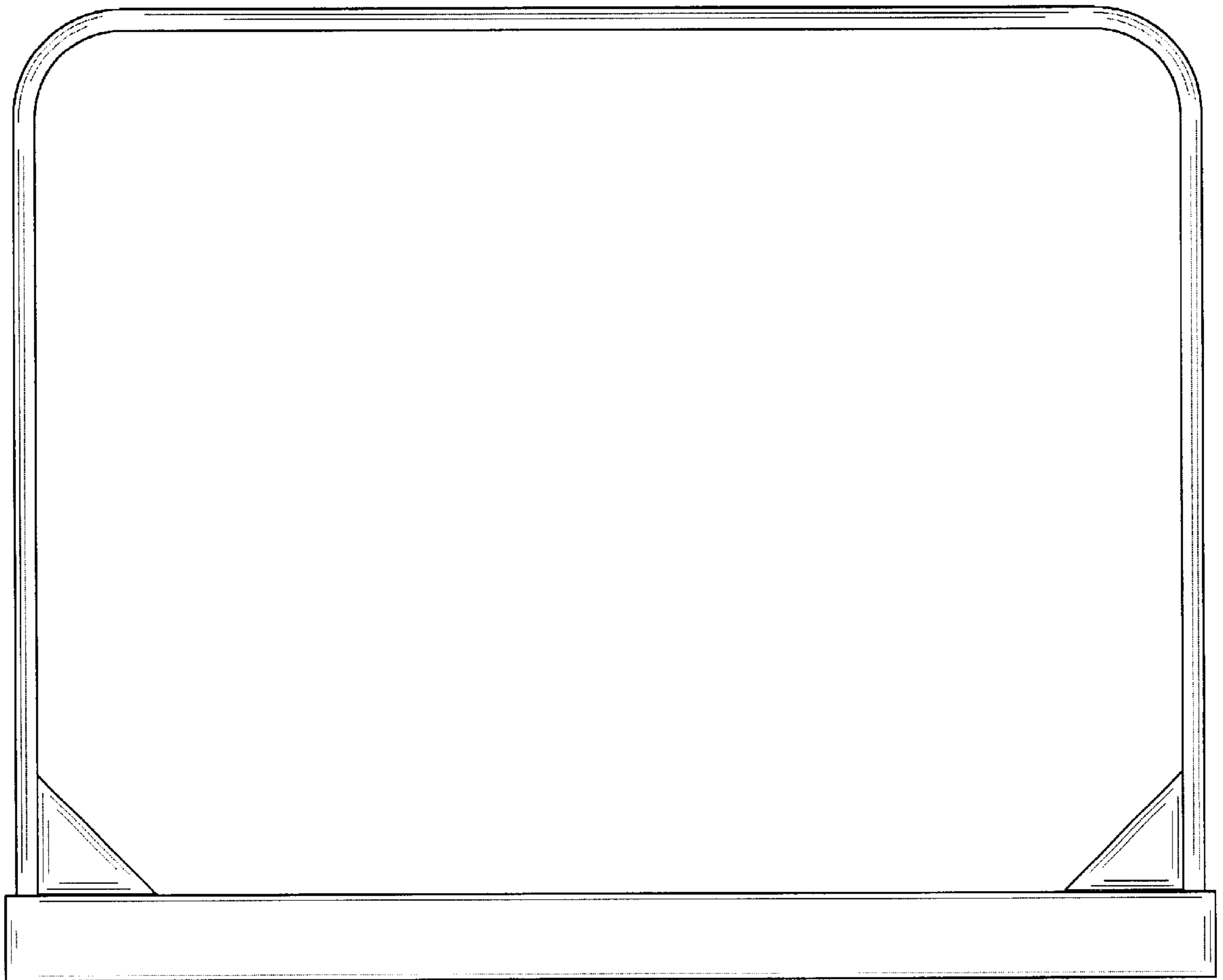


FIG. 2

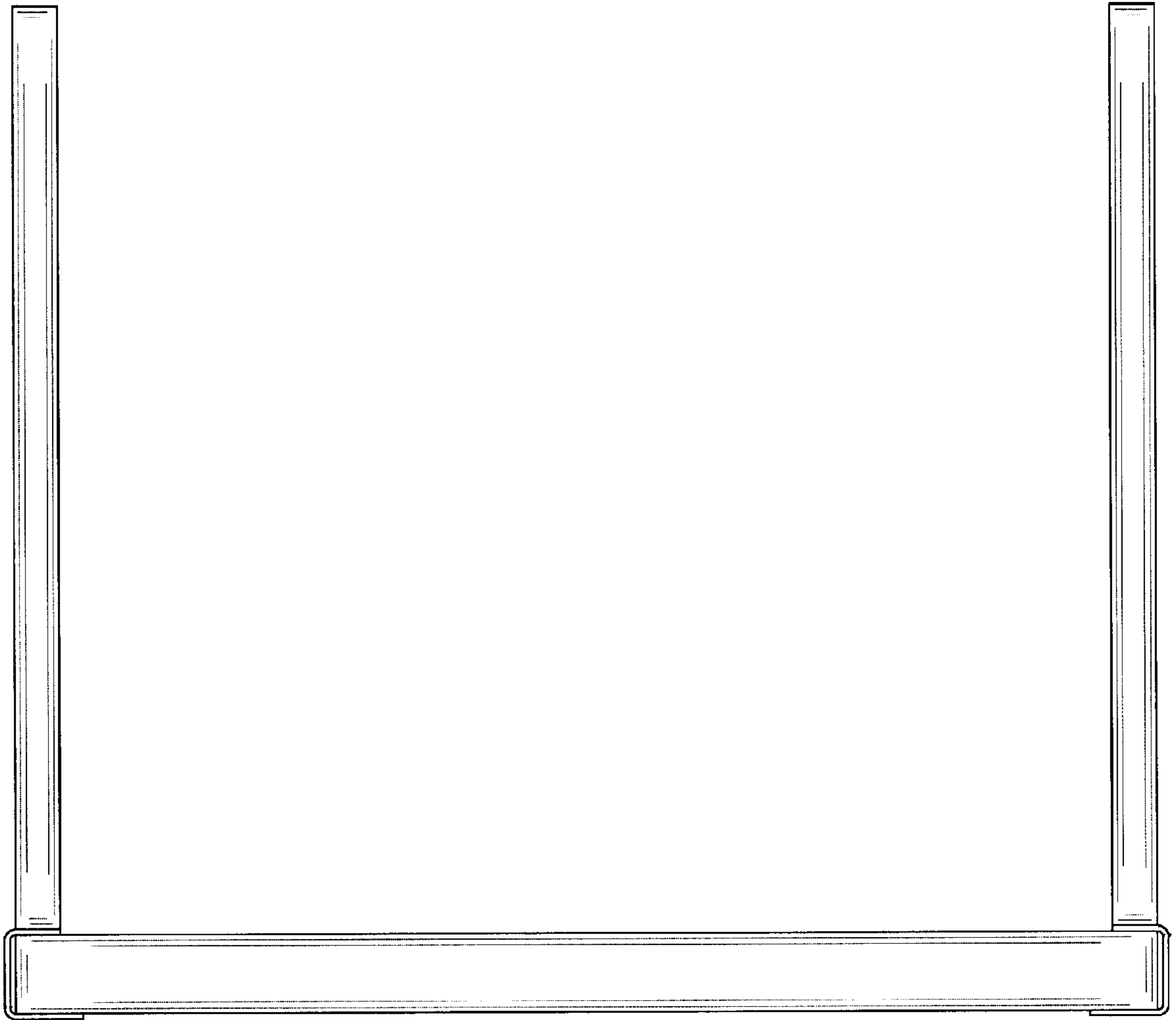


FIG. 3

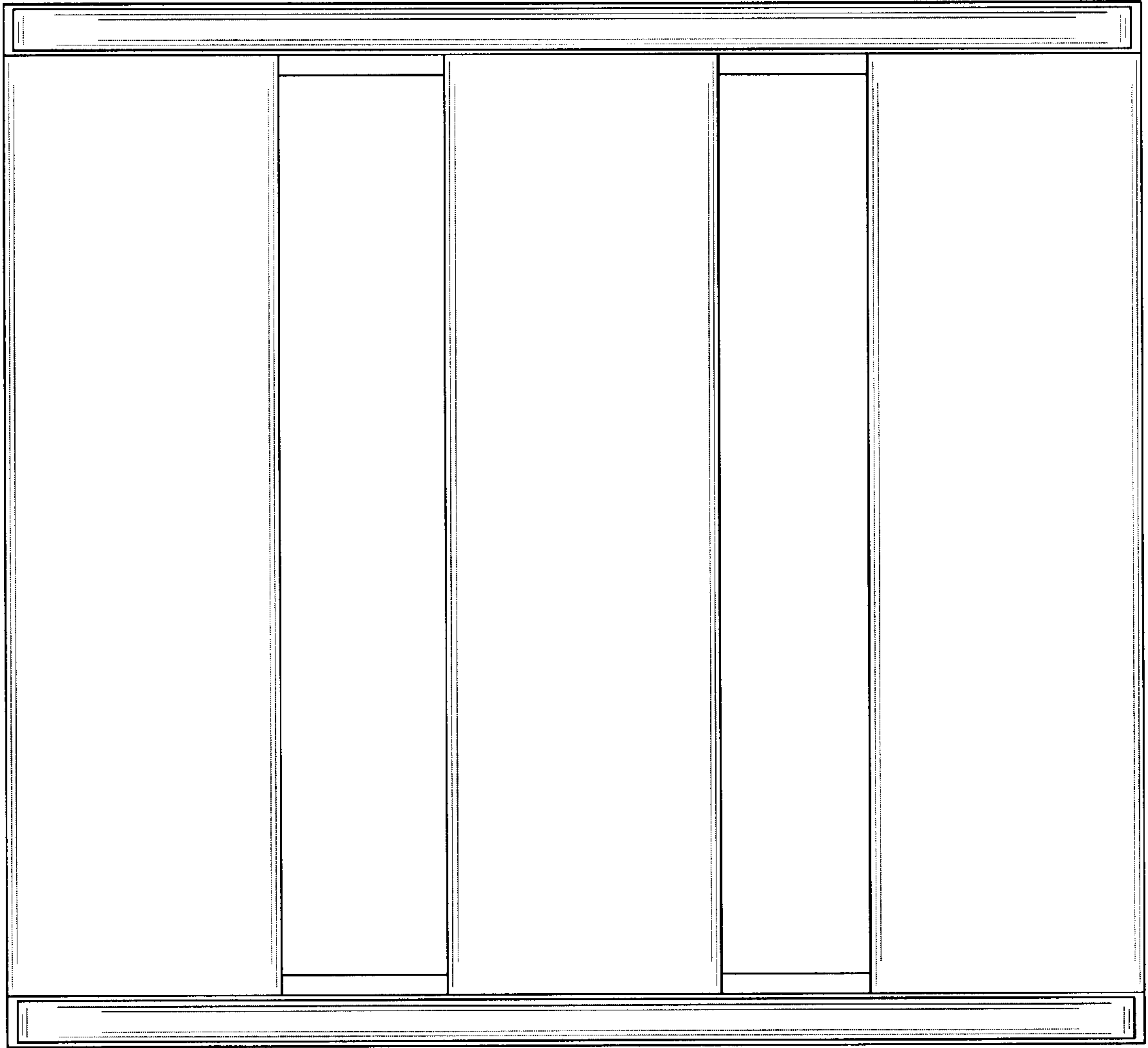


FIG. 4

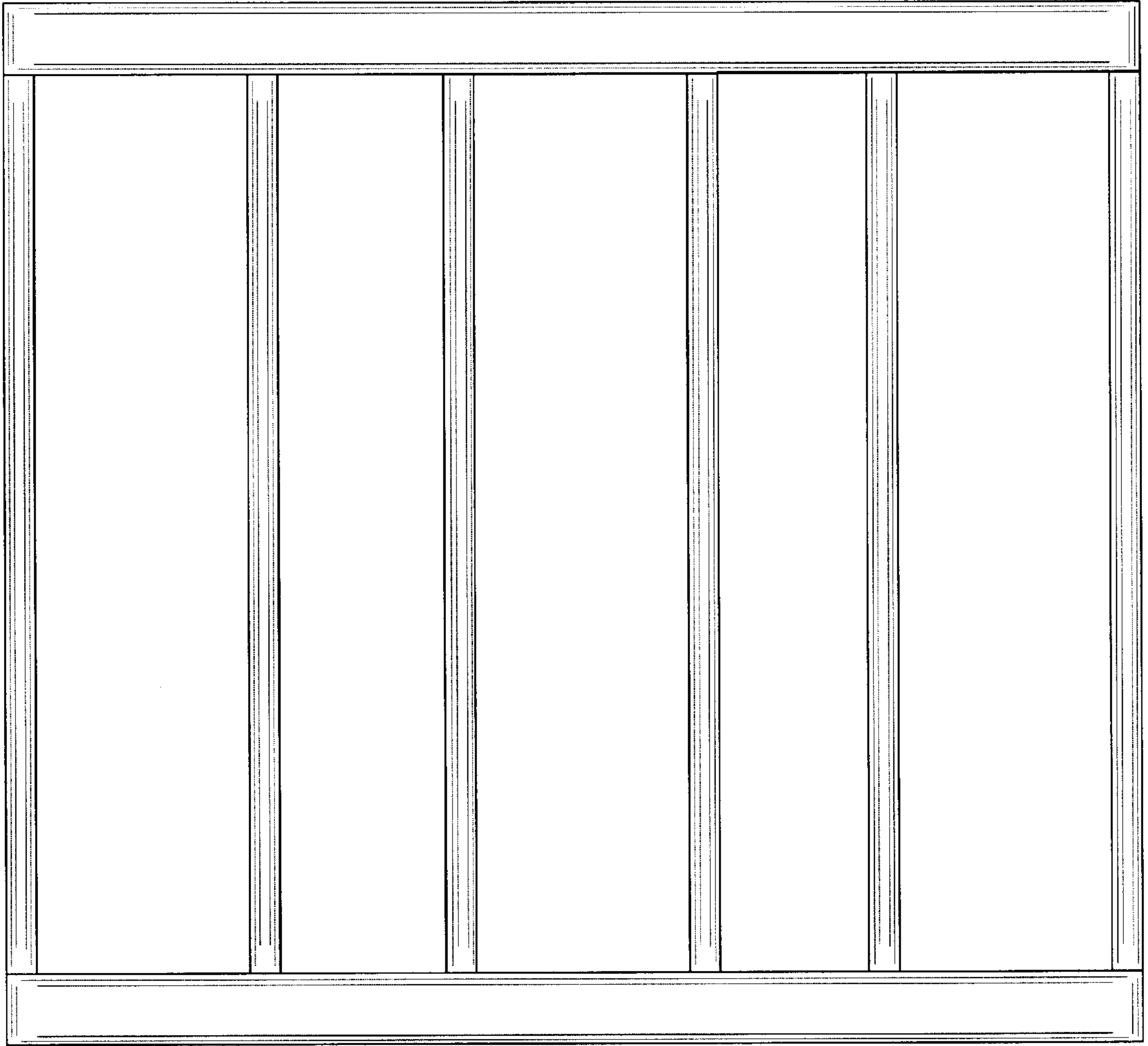


FIG. 5