



US00D484563S

(12) **United States Design Patent**
Rozkowski

(10) **Patent No.:** **US D484,563 S**

(45) **Date of Patent:** **** Dec. 30, 2003**

- (54) **FISH STRIKE WARNING APPARATUS**
- (75) Inventor: **Henry Rozkowski**, Warren, MI (US)
- (73) Assignee: **Rozko, Inc.**, Warren, MI (US)
- (**) Term: **14 Years**

- (21) Appl. No.: **29/172,705**
- (22) Filed: **Dec. 17, 2002**

- (51) **LOC (7) Cl.** **22-05**
- (52) **U.S. Cl.** **D22/134**
- (58) **Field of Search** D22/134-136,
D22/126, 146, 148, 149, 199, 138, 139;
43/43.1, 15, 16, 17, 17.5, 25

(56) **References Cited**

U.S. PATENT DOCUMENTS

D240,122 S	*	6/1976	Montgomery	D22/134
D401,995 S	*	12/1998	Yamagata	D22/134
D403,737 S	*	1/1999	Howe et al.	D22/139
D421,478 S	*	3/2000	Medrano	D22/134

* cited by examiner

Primary Examiner—Catherine R. Oliver
(74) *Attorney, Agent, or Firm*—Alex Rhodes

(57) **CLAIM**

The ornamental design for a fish strike warning apparatus, as shown and described.

DESCRIPTION

FIG. 1 is a plan view of a fish strike warning apparatus mounted on a fishing rod drawn in phantom showing my new design.

FIG. 2 is a right side elevation view of the fish strike warning apparatus mounted on the fishing rod.

FIG. 3 is a left side elevation view of the fish strike warning apparatus mounted on the fishing rod.

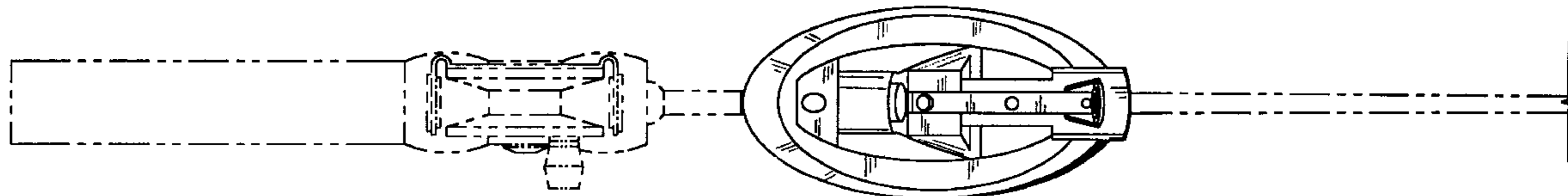
FIG. 4 is a bottom view of the fish strike warning apparatus mounted on the fishing rod.

FIG. 5 is an enlarged front elevation view of the fish strike warning apparatus; and,

FIG. 6 is an enlarged rear elevation view of the fish strike warning apparatus.

The broken line showing of the environment in the drawings is for illustrative purposes only and forms no part of the claimed design.

1 Claim, 3 Drawing Sheets



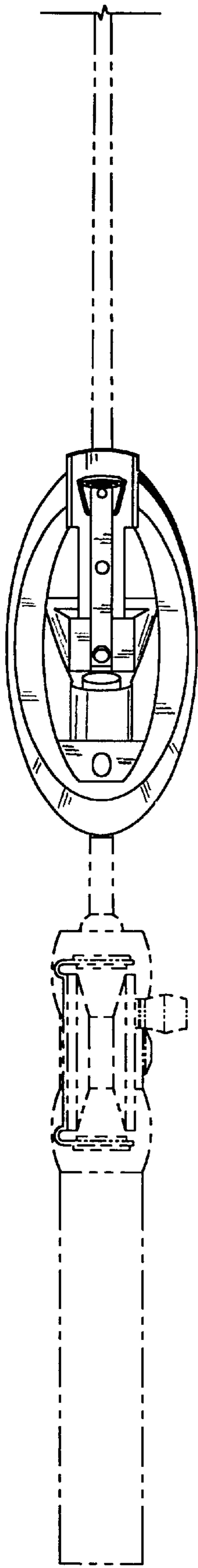


FIG. 1

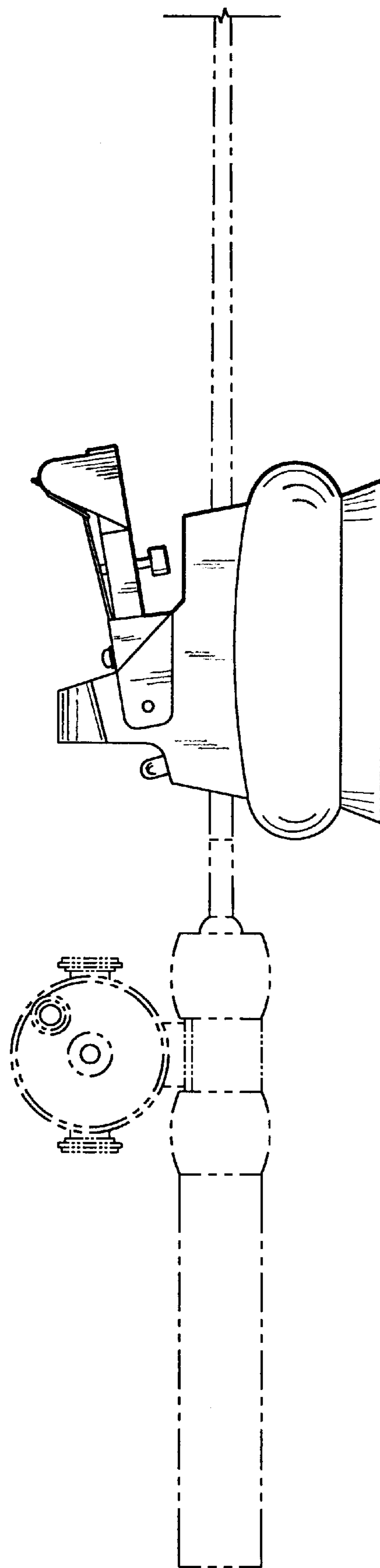


FIG. 2

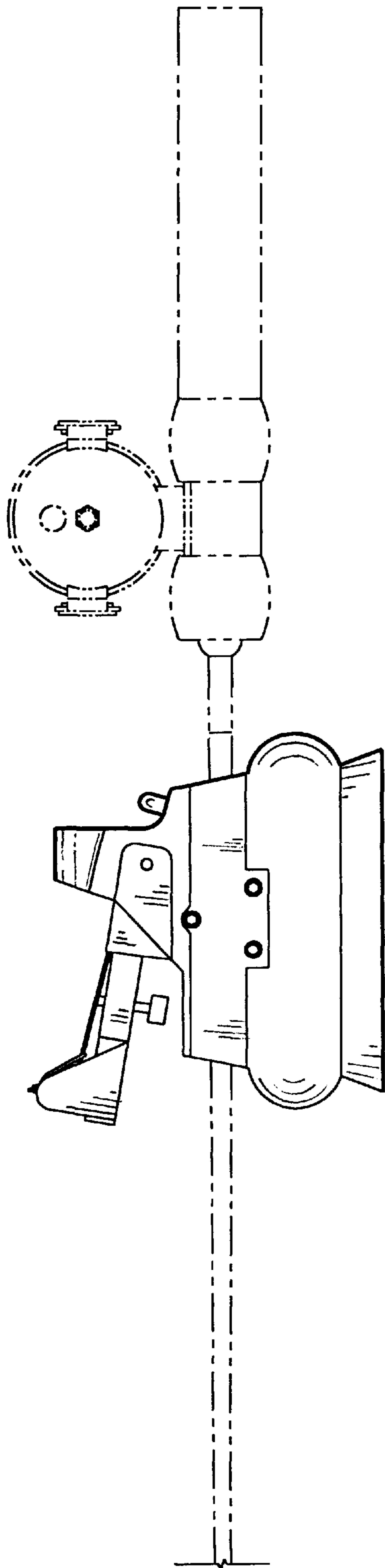


FIG. 3

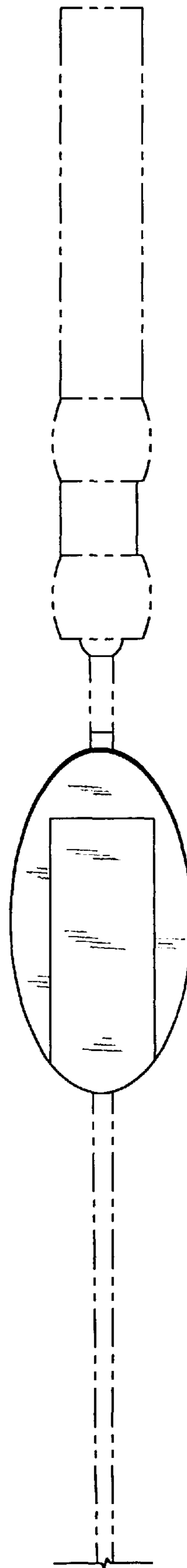


FIG. 4

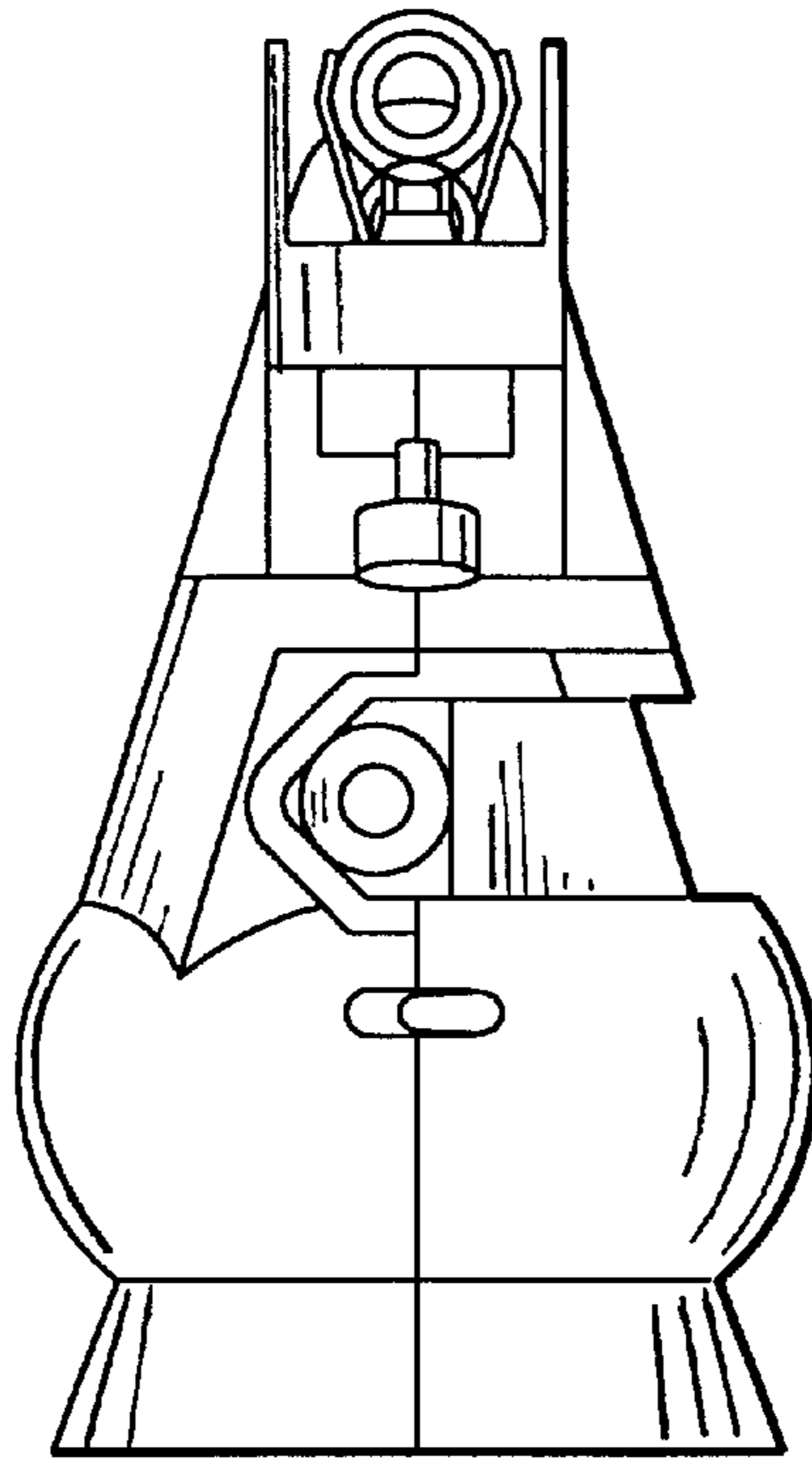


FIG. 5

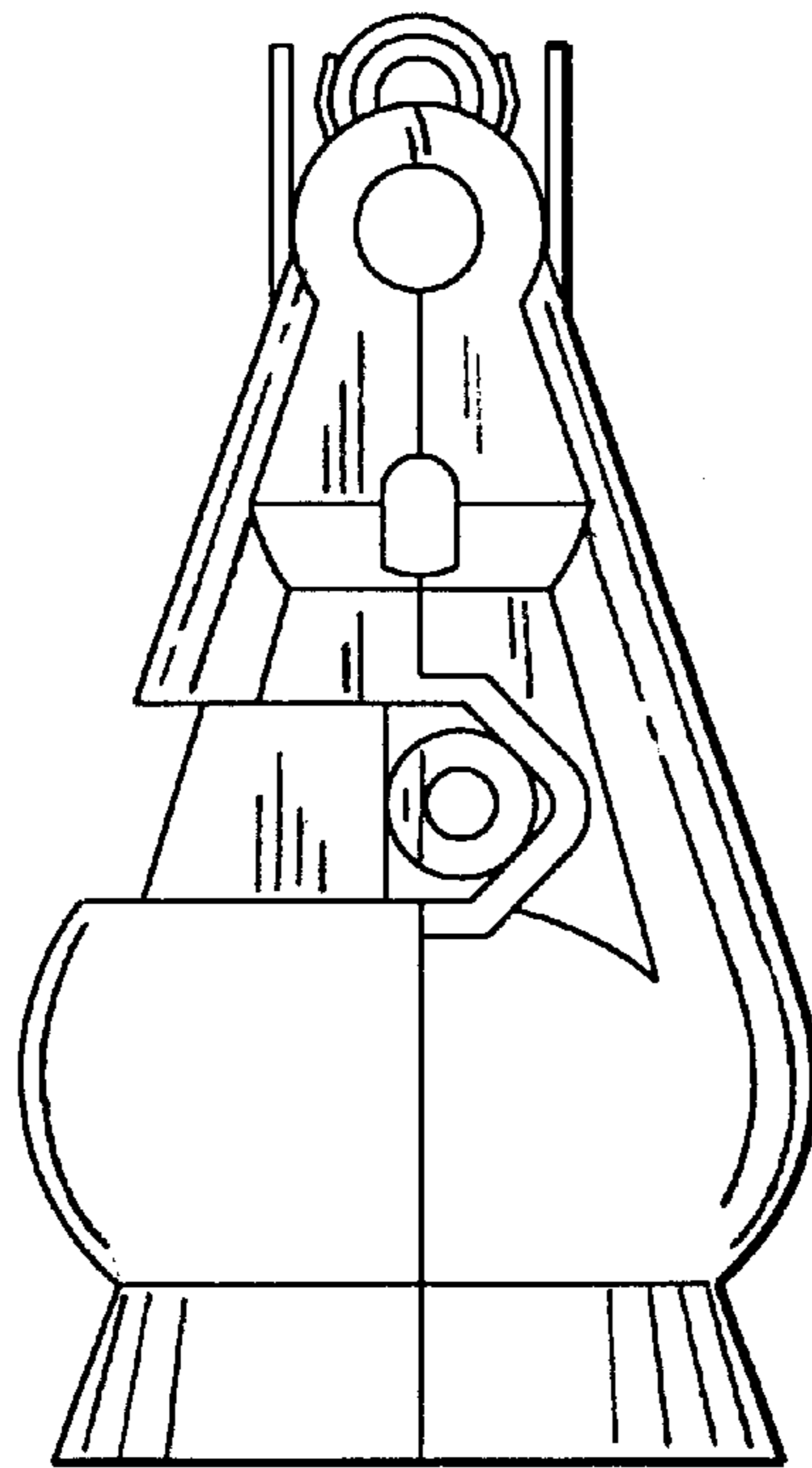


FIG. 6