



US00D484561S

(12) **United States Design Patent**  
**Singleton**

(10) **Patent No.:** **US D484,561 S**

(45) **Date of Patent:** **\*\* Dec. 30, 2003**

(54) **AMUSEMENT DRUM**

(76) **Inventor:** **John H. Singleton**, 1401 FM Rd. 637,  
Corsicana, TX (US) 75109

(\*\*) **Term:** **14 Years**

(21) **Appl. No.:** **29/153,255**

(22) **Filed:** **Oct. 26, 2001**

(51) **LOC (7) Cl.** ..... **21-03**

(52) **U.S. Cl.** ..... **D21/811**

(58) **Field of Search** ..... D21/811, 814;  
472/127, 129; 273/445, 449

(56) **References Cited**

**U.S. PATENT DOCUMENTS**

3,193,286	A	*	7/1965	Sitter	.....	482/77
3,633,905	A	*	1/1972	Etchelecou	.....	472/127
3,845,952	A	*	11/1974	McKinney	.....	472/127
3,887,179	A	*	6/1975	Klepper et al.	.....	472/127
4,281,830	A	*	8/1981	Rehbein	.....	472/127
4,787,631	A	*	11/1988	Erumsele	.....	273/445
5,334,100	A	*	8/1994	Bailey	.....	472/127

\* cited by examiner

*Primary Examiner*—Mitchell Siegel

(74) *Attorney, Agent, or Firm*—Locke Liddell & Sapp, LLP

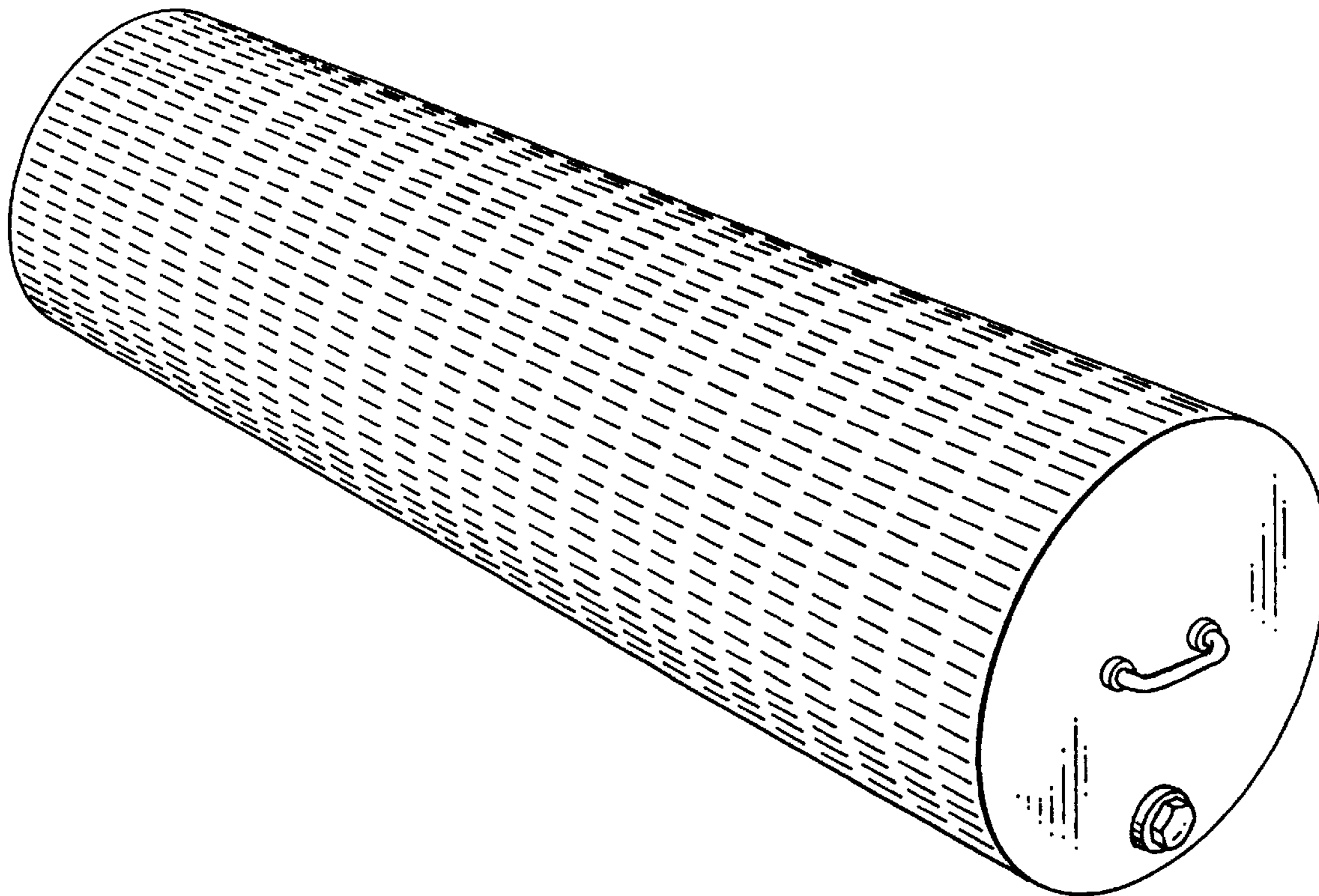
(57) **CLAIM**

The ornamental design for the amusement drum, as shown and described.

**DESCRIPTION**

FIG. 1 is a perspective view from above and from the side of the amusement drum in accordance with my design;  
 FIG. 2 is a front elevational view of the amusement drum in accordance with my design;  
 FIG. 3 is a back elevational view of the amusement drum in accordance with my design;  
 FIG. 4 is a left side elevational view of the amusement drum in accordance with my design;  
 FIG. 5 is a right side elevational view of the amusement drum of my design.  
 FIG. 6 is a top plan view of the amusement drum in accordance with my design; and,  
 FIG. 7 is a bottom plan view of the amusement drum in accordance with my design.

**1 Claim, 4 Drawing Sheets**



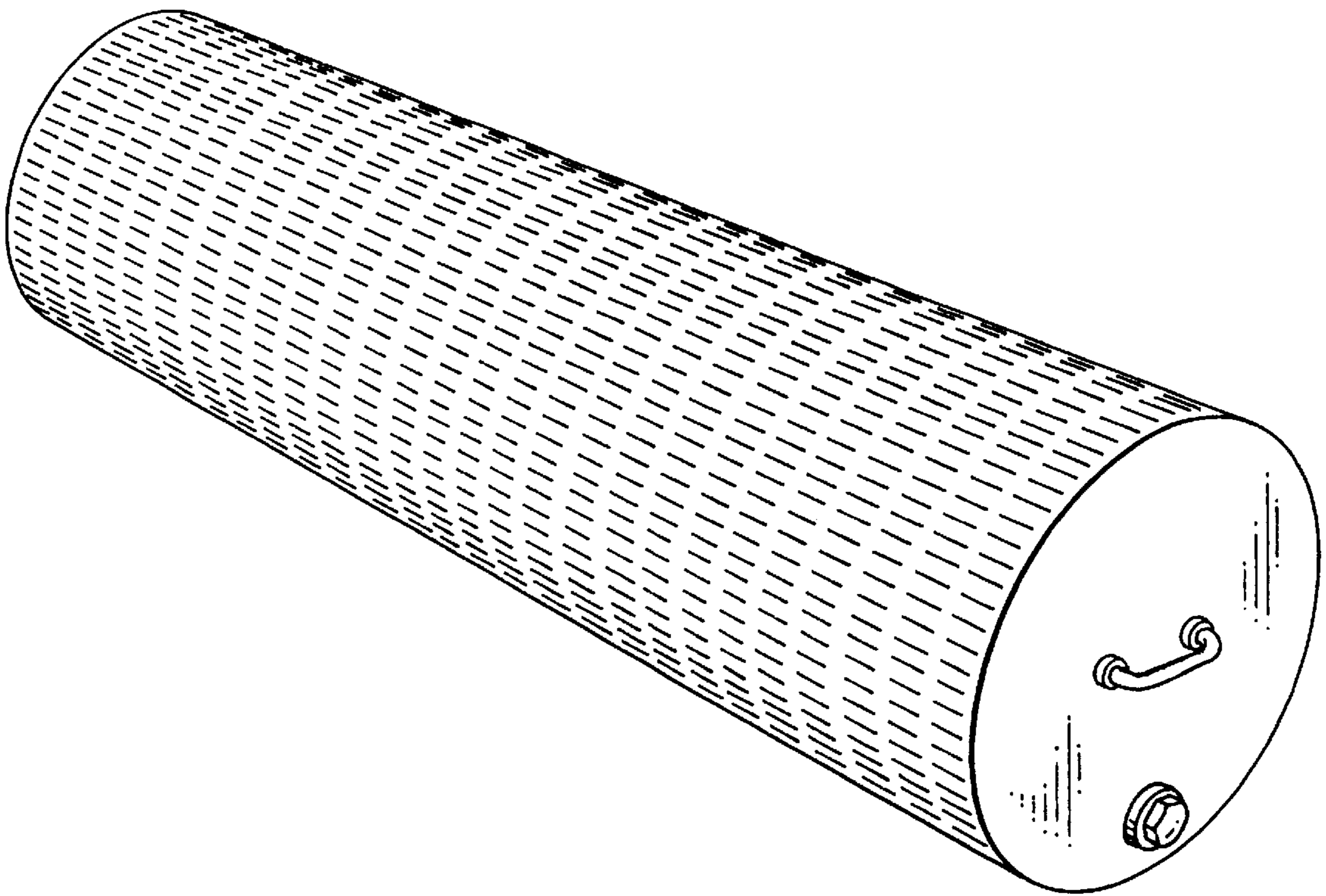


FIG. 1

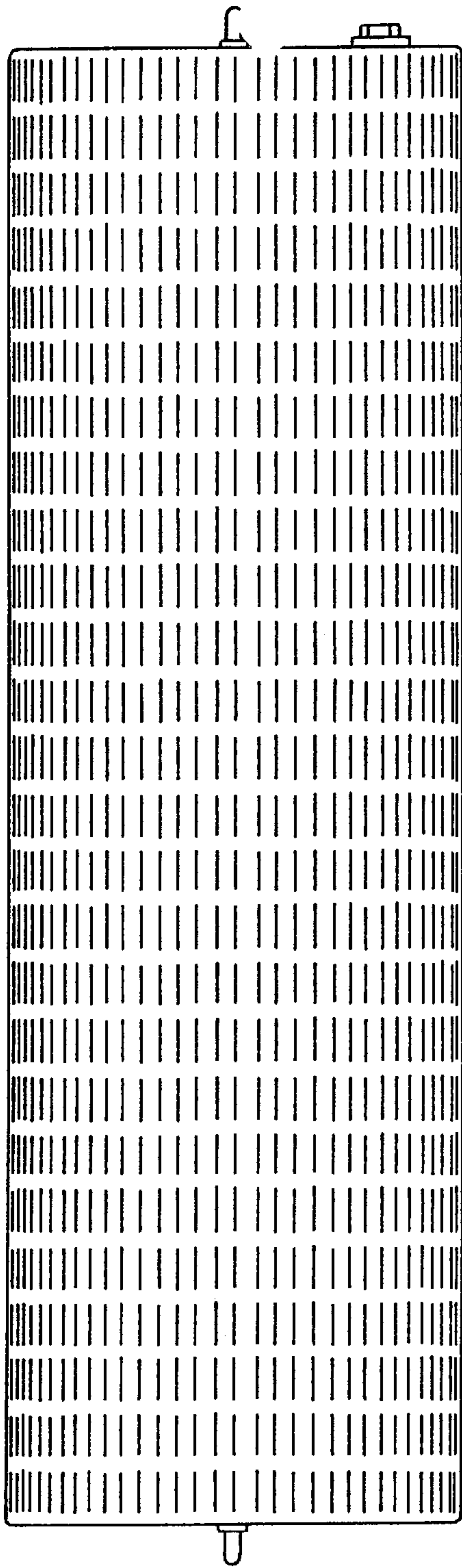


FIG. 2

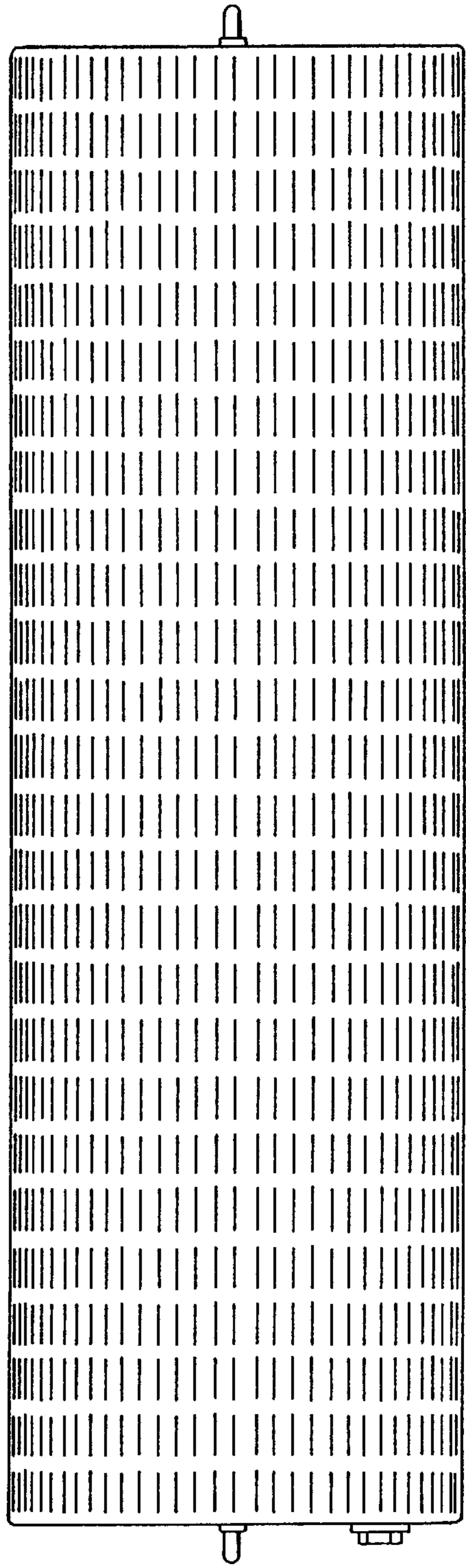


FIG. 3

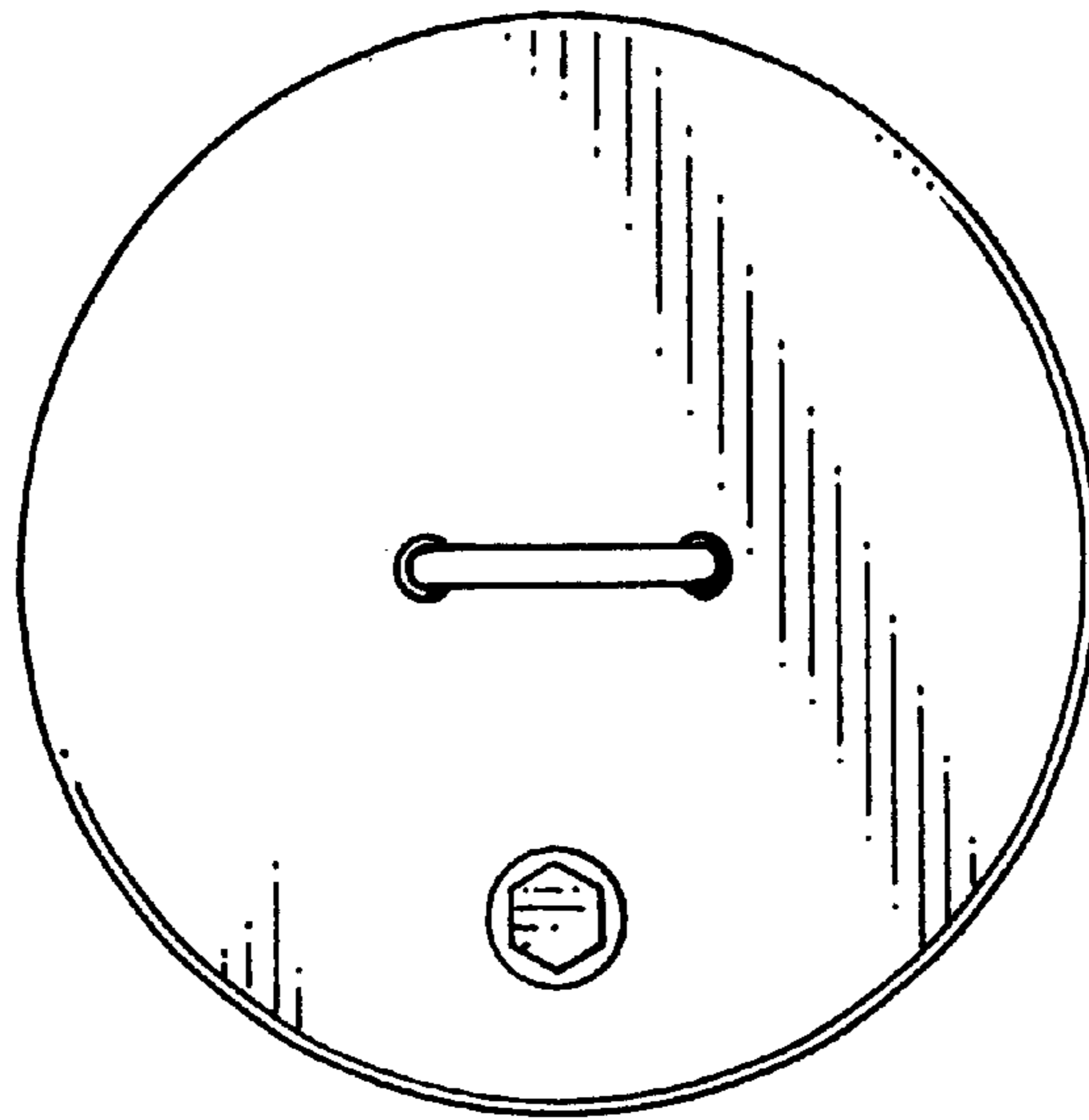


FIG. 4

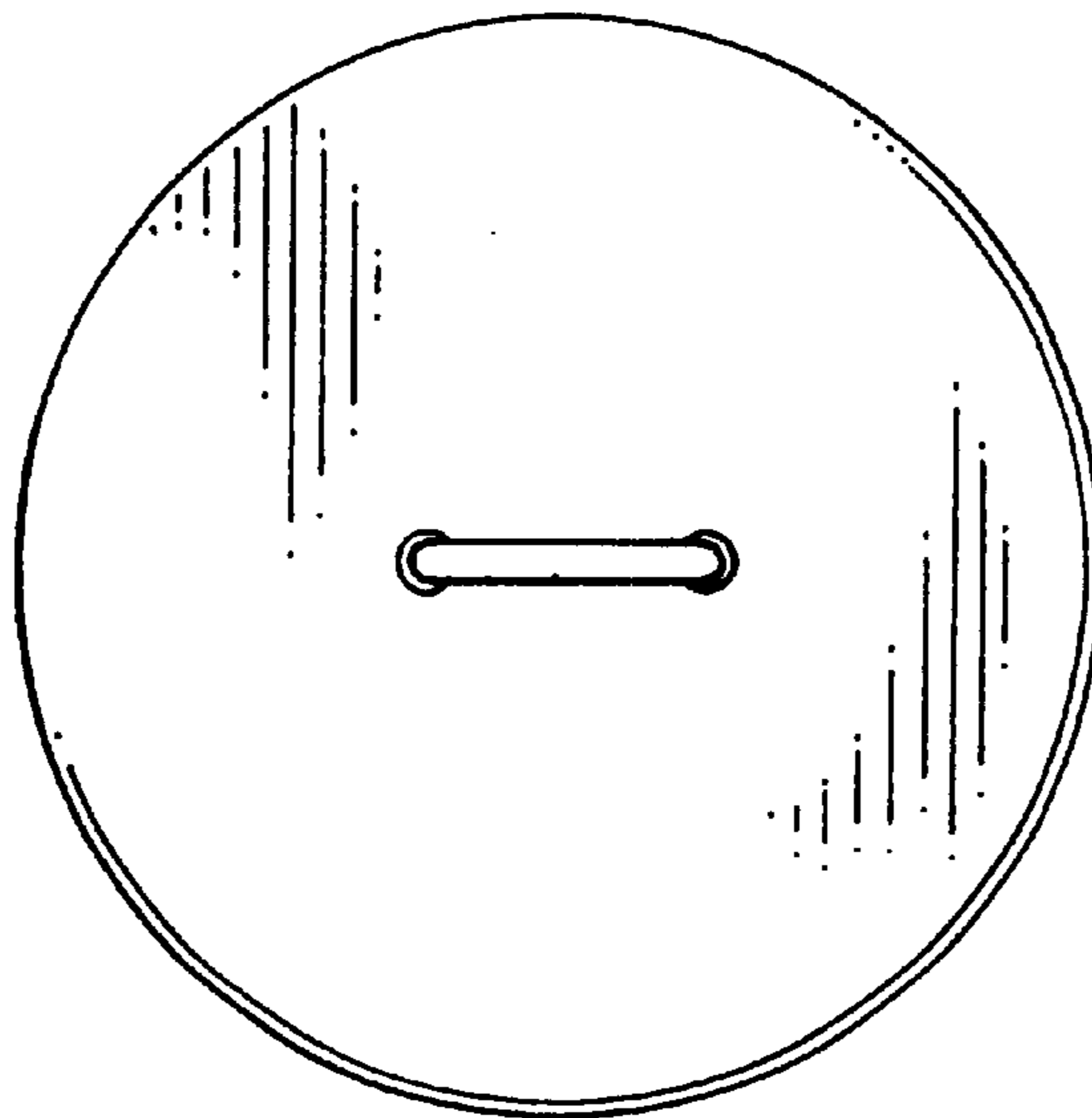


FIG. 5

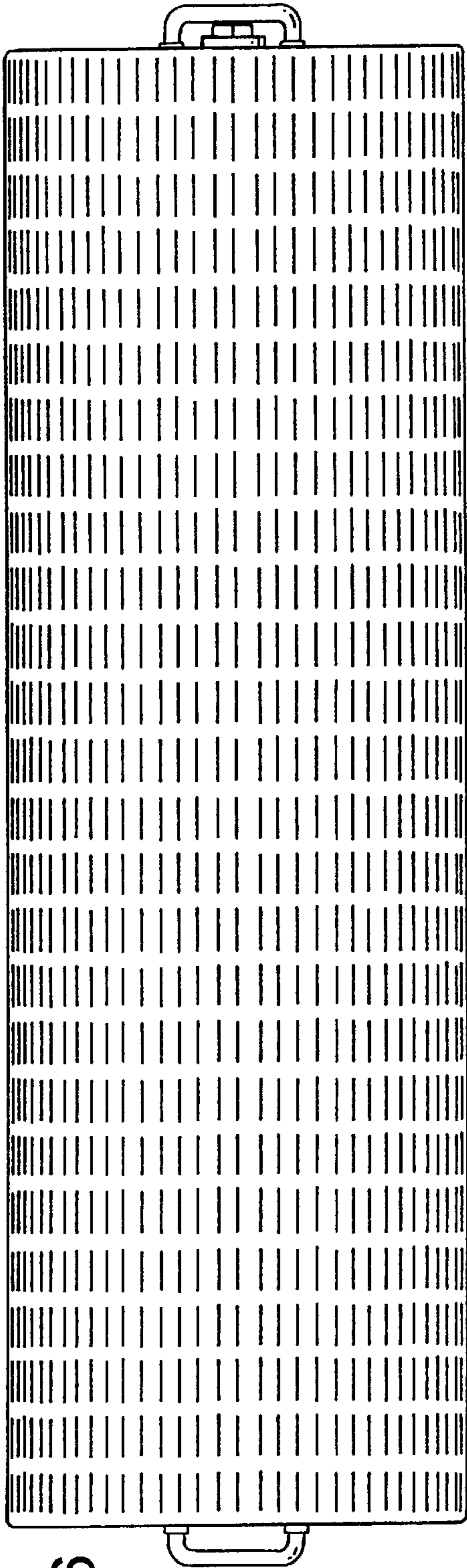


FIG. 6

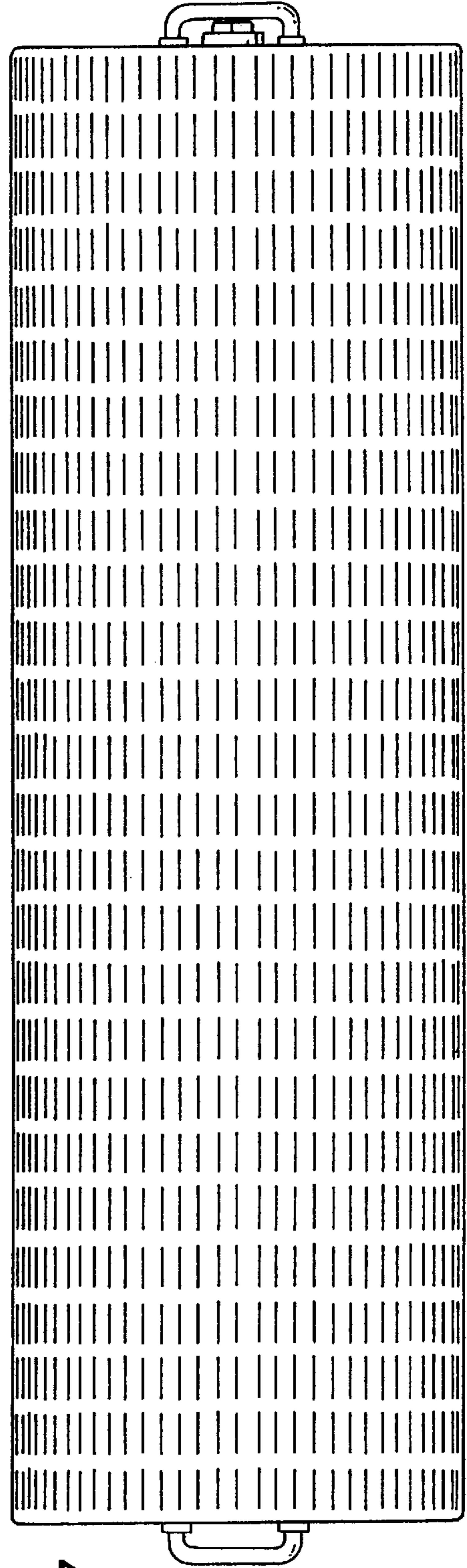


FIG. 7