



US00D484558S

(12) **United States Design Patent**  
**Lo**

(10) **Patent No.:** **US D484,558 S**

(45) **Date of Patent:** **\*\* Dec. 30, 2003**

(54) **IN-LINE SKATE BASE**

(75) **Inventor:** **Tsai-Ming Lo**, No. 118, Shija E. Rd.,  
Dung Chiu, Taichung (TW), 401

(73) **Assignee:** **Tsai-Ming Lo**, Taichung (TW)

(\*\*) **Term:** **14 Years**

(21) **Appl. No.:** **29/179,163**

(22) **Filed:** **Apr. 4, 2003**

(30) **Foreign Application Priority Data**

Jan. 3, 2003 (TW) ..... 92300024

(51) **LOC (7) Cl.** ..... **21-02**

(52) **U.S. Cl.** ..... **D21/764**

(58) **Field of Search** ..... D21/760, 763-765,  
D21/771; 280/841, 11.19, 11.204, 11.207,  
11.208, 11.209, 11.216, 11.223, 11.231,  
11.26, 11.27

(56) **References Cited**

**U.S. PATENT DOCUMENTS**

D262,130 S \* 12/1981 Yoshimoto ..... D21/764  
D264,612 S \* 5/1982 Szegi ..... D21/764

D292,729 S \* 11/1987 Ludwig ..... D21/764  
D362,893 S \* 10/1995 Osborne ..... D21/764  
5,474,310 A \* 12/1995 Chen ..... 280/11.223  
D370,044 S \* 5/1996 Lu ..... D21/764  
5,645,287 A \* 7/1997 Soo ..... 280/11.216  
D401,657 S \* 11/1998 Ou ..... D21/771  
5,931,478 A \* 8/1999 Chang ..... 280/11.27

\* cited by examiner

*Primary Examiner*—Raphael Barkai

(74) *Attorney, Agent, or Firm*—J.C. Patents

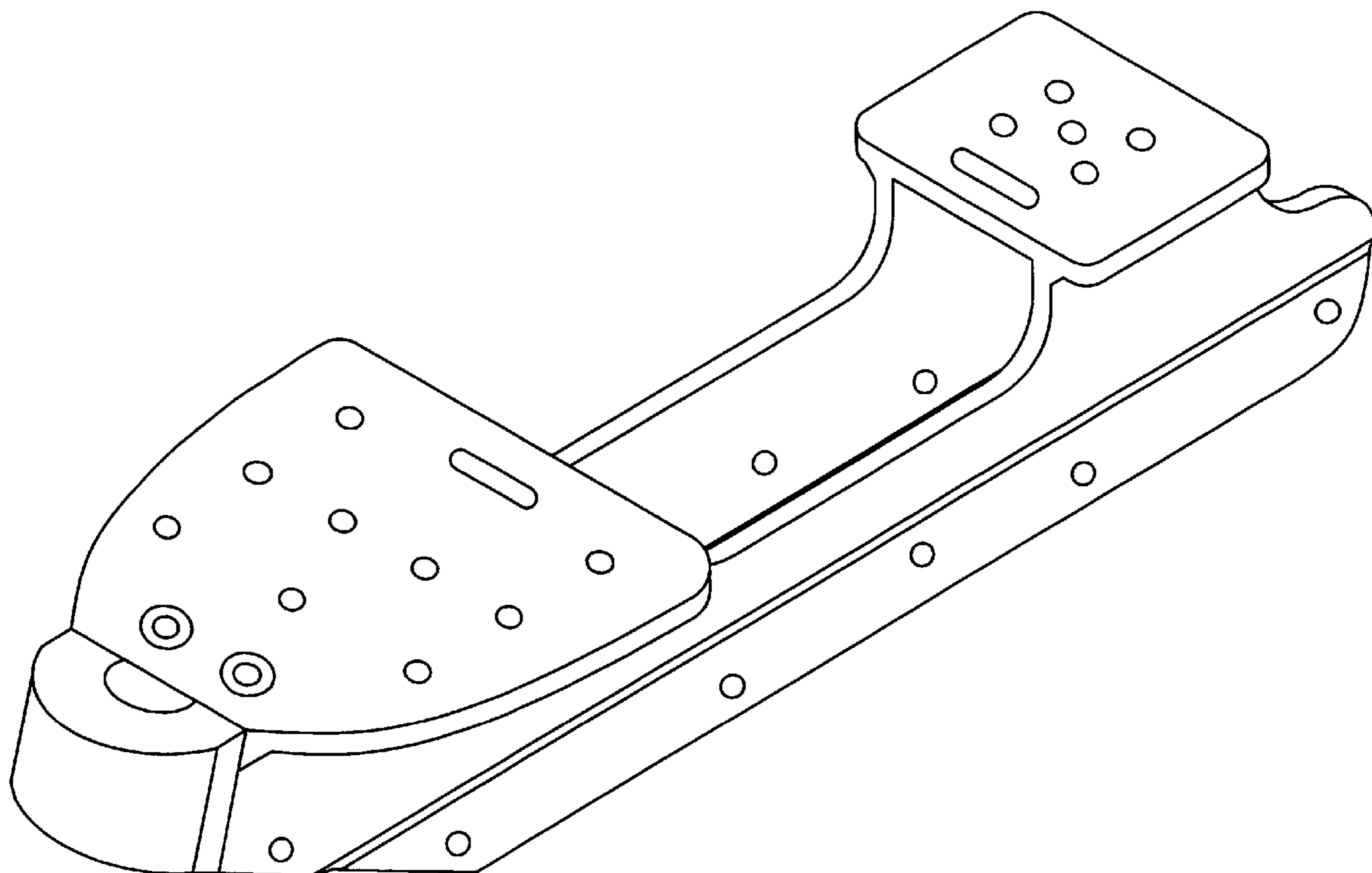
(57) **CLAIM**

The Ornamental Design for a in-line skate base, as substantially shown and described.

**DESCRIPTION**

FIG. 1 is a perspective view of a in-line skate base;  
FIG. 2 is a top plain view thereof;  
FIG. 3 is a left side plain view thereof;  
FIG. 4 is a front plain view thereof;  
FIG. 5 is a rear plain view thereof;  
FIG. 6 is a bottom plain view thereof; and,  
FIG. 7 is a right side plain view thereof.

**1 Claim, 7 Drawing Sheets**



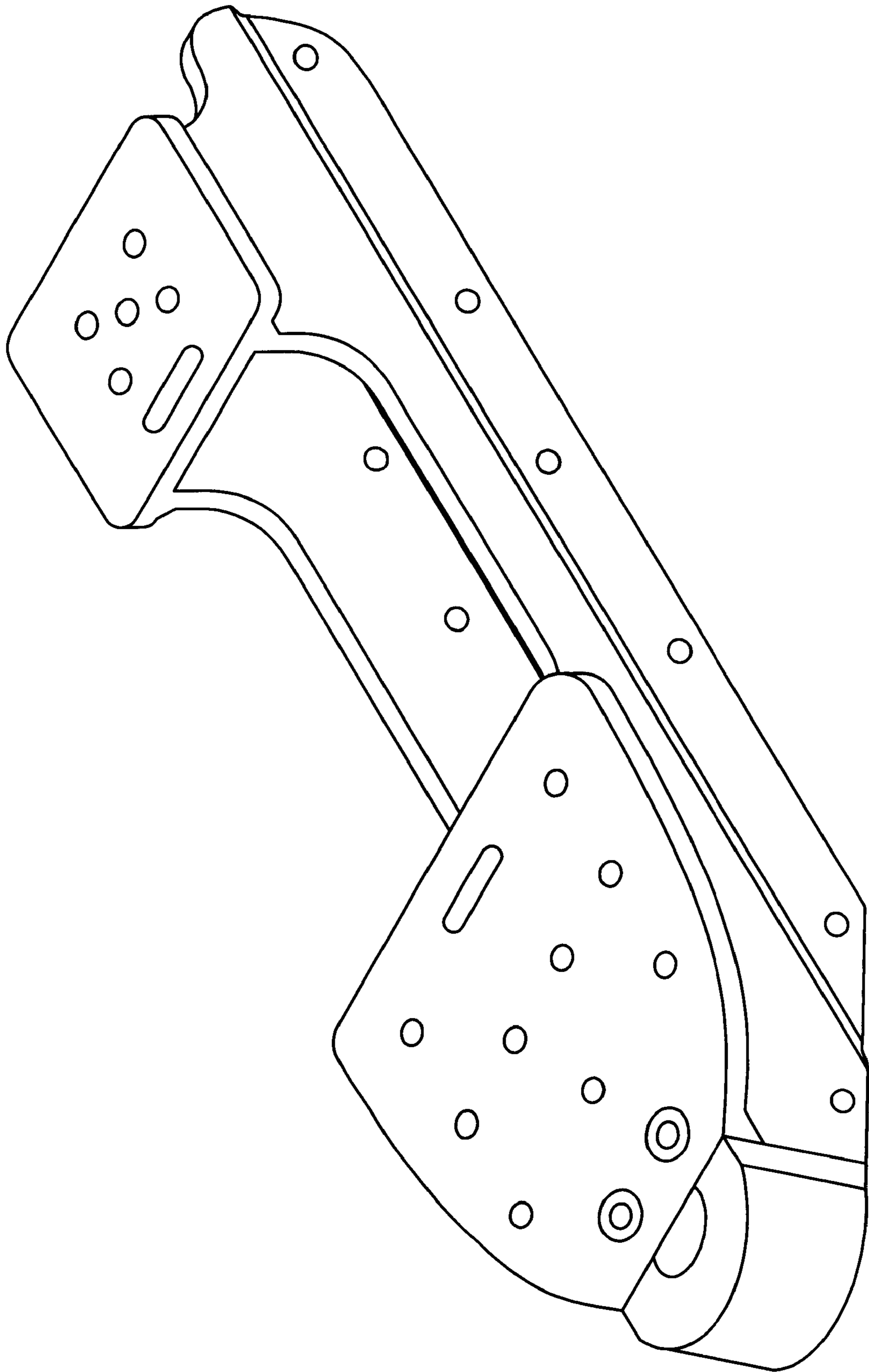


FIG. 1

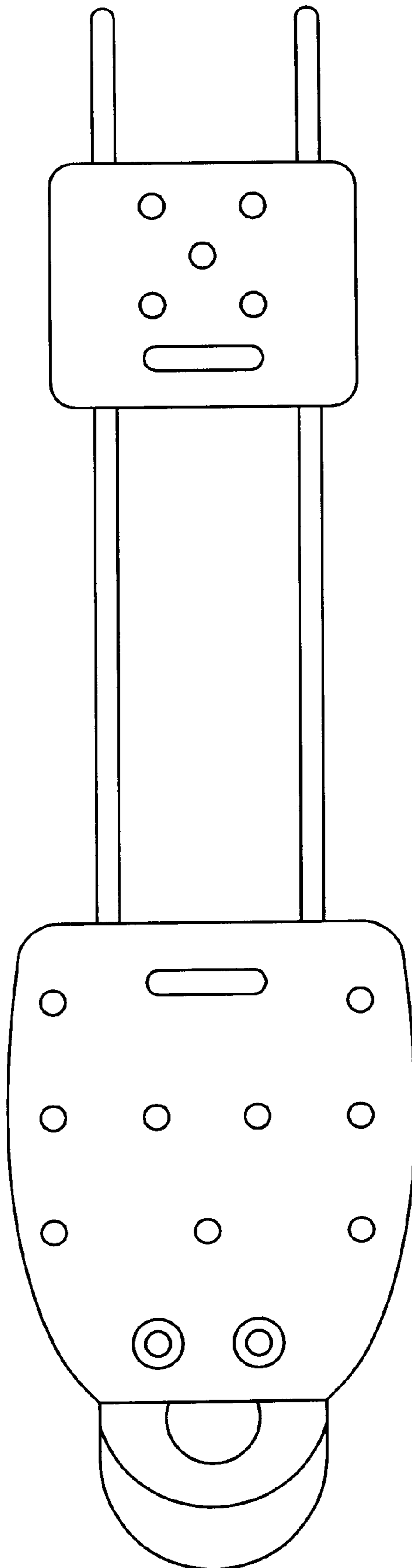


FIG. 2

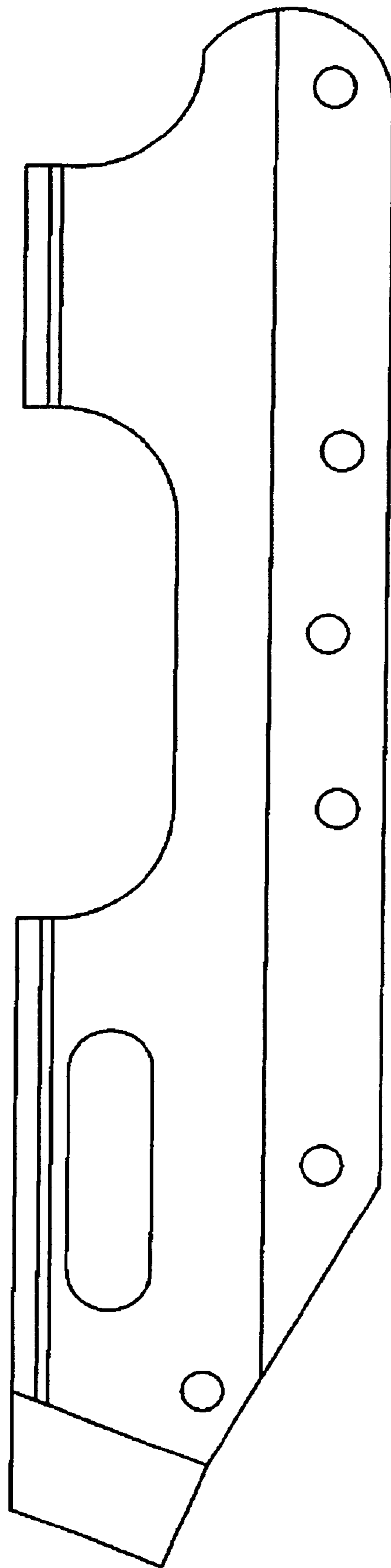


FIG. 3

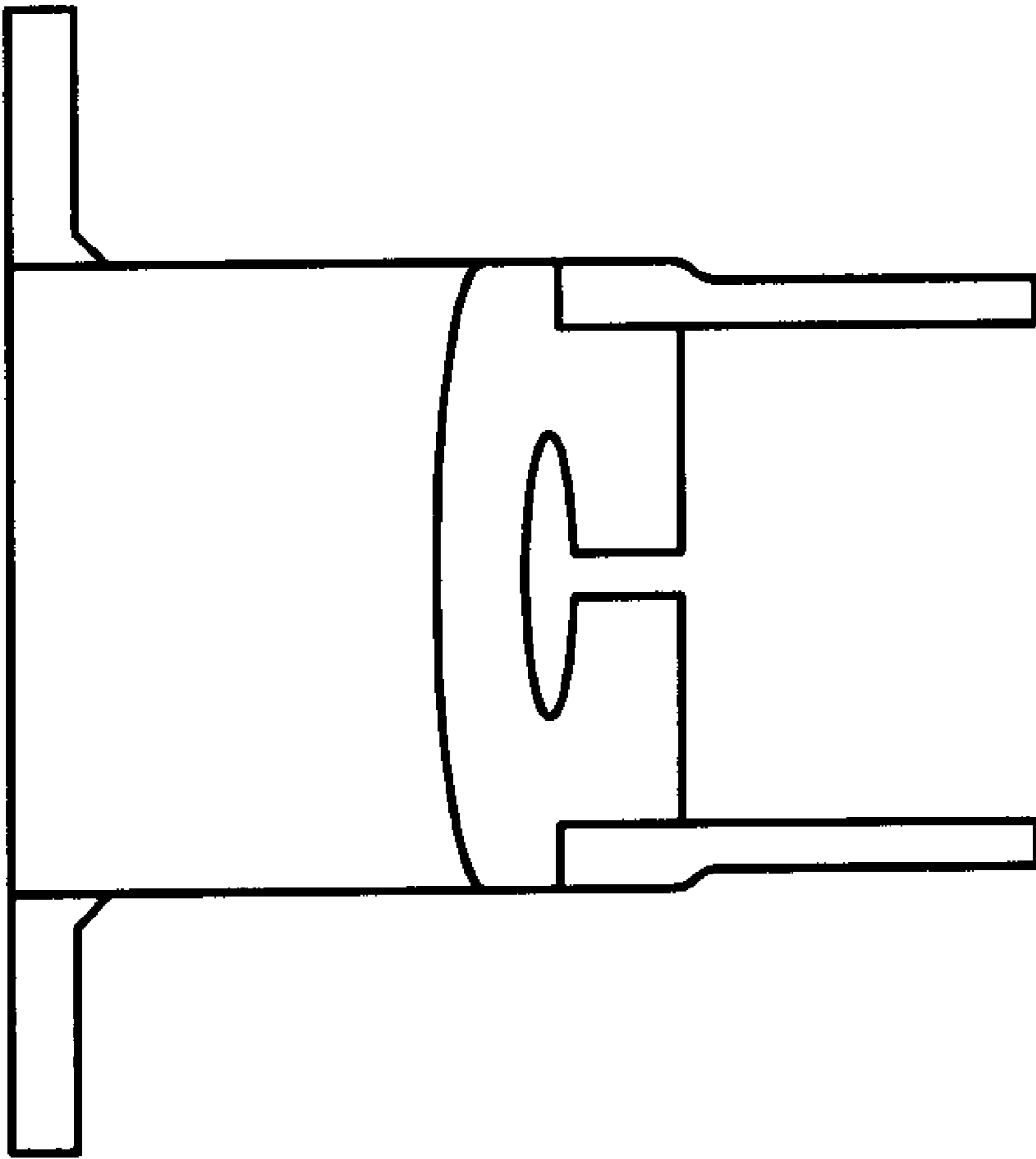


FIG. 4

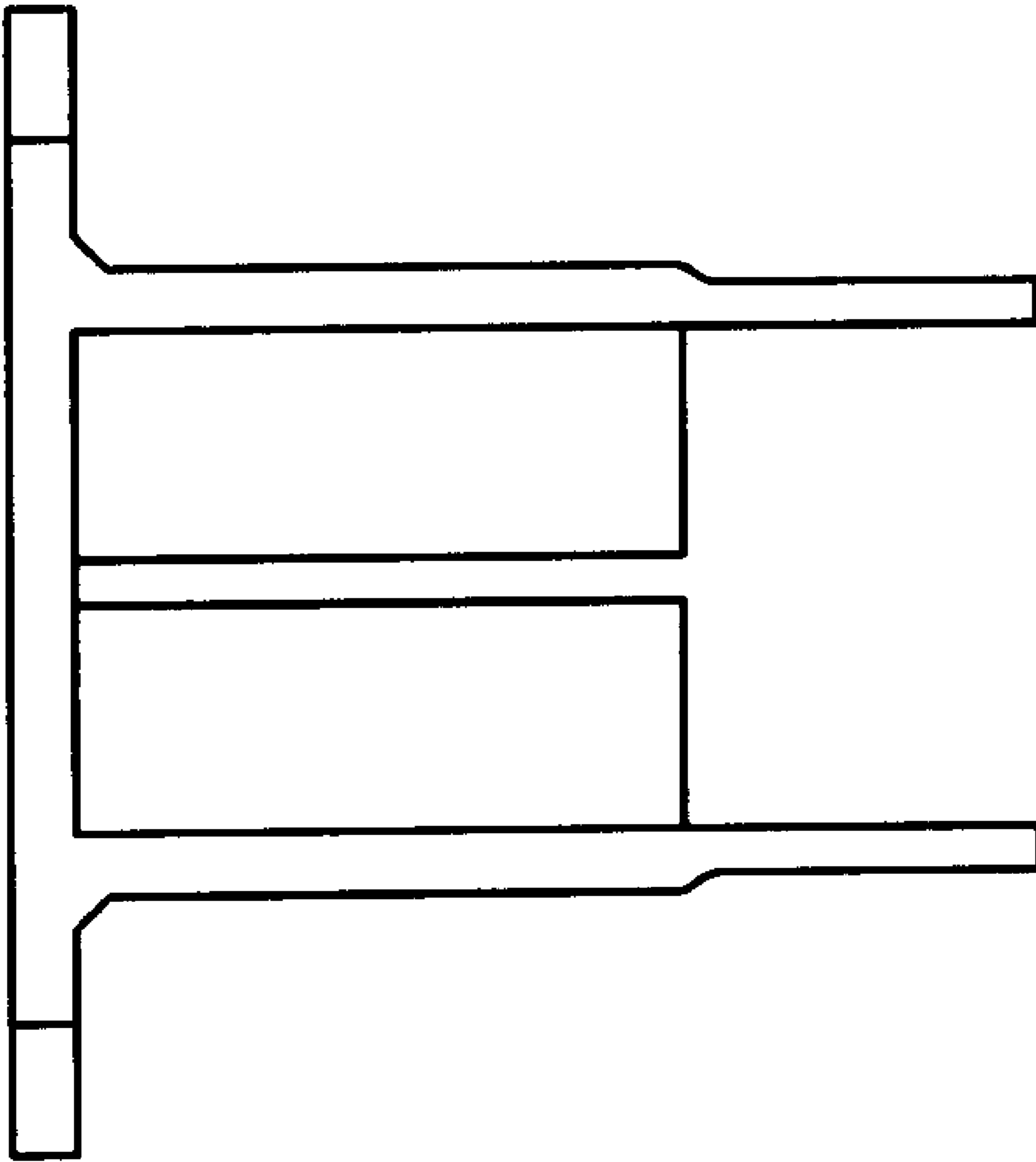


FIG. 5

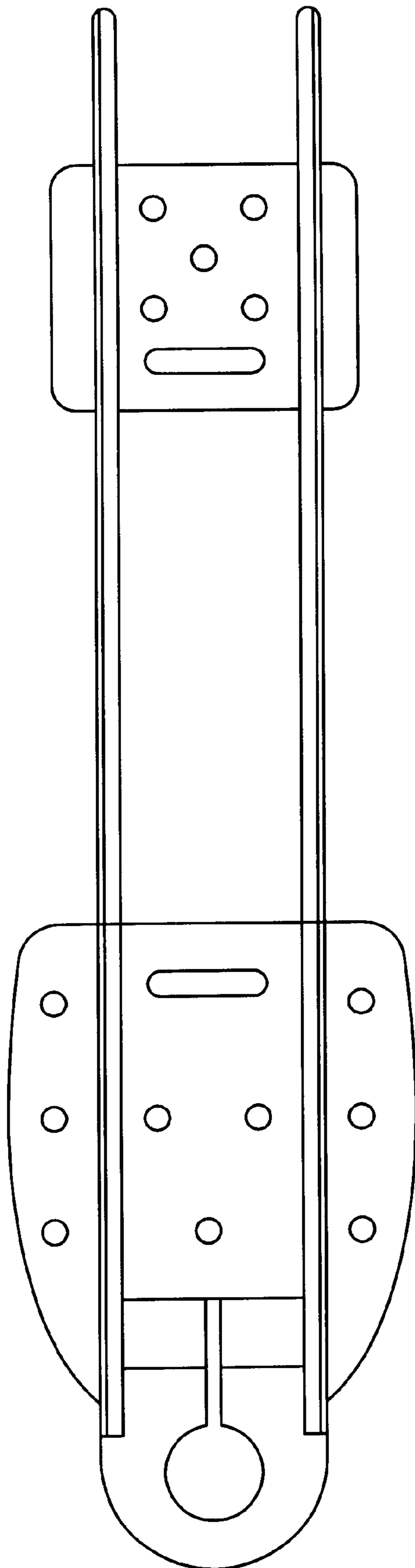


FIG. 6

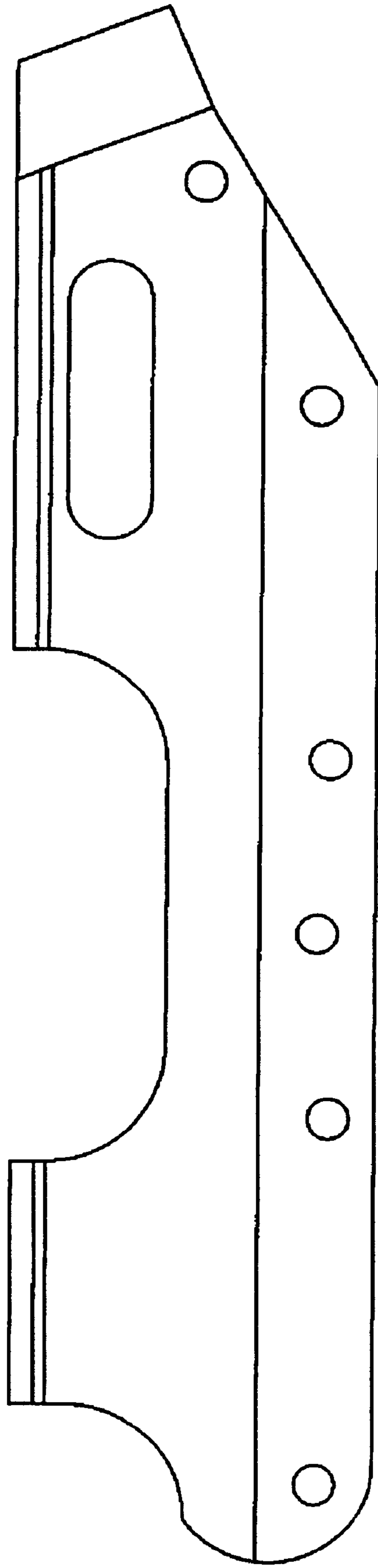


FIG. 7