



US00D484557S

(12) **United States Design Patent**
Lang et al.

(10) **Patent No.:** **US D484,557 S**

(45) **Date of Patent:** **** Dec. 30, 2003**

(54) **IRON GOLF CLUB HEAD**

(75) Inventors: **Robert R. Lang**, Escondido, CA (US);
Roger Cleveland, Los Angeles, CA
(US); **Augustin W. Rollinson**,
Carlsbad, CA (US); **Larry G. Tang**,
Carlsbad, CA (US); **Andrew Oldknow**,
Laguna Niguel, CA (US)

(73) Assignee: **Callaway Golf Company**, Carlsbad,
CA (US)

(**) Term: **14 Years**

(21) Appl. No.: **29/184,027**

(22) Filed: **Sep. 4, 2003**

(51) **LOC (7) Cl.** **21-02**

(52) **U.S. Cl.** **D21/747**

(58) **Field of Search** D21/747-751;
473/324, 327-331, 350

(56) **References Cited**

U.S. PATENT DOCUMENTS

D247,918 S	*	5/1978	Delano et al.	D21/748
5,048,835 A	*	9/1991	Gorman	473/350
5,120,062 A		6/1992	Scheie et al.		
D329,904 S	*	9/1992	Gorman	D21/749
D347,254 S		5/1994	Iinuma		
5,333,872 A		8/1994	Manning et al.		
D353,644 S		12/1994	Hirsch et al.		
5,375,840 A		12/1994	Hirsch et al.		
D354,786 S		1/1995	Manning et al.		
5,423,546 A		6/1995	Manning et al.		

D366,082 S		1/1996	Dekura		
5,497,995 A		3/1996	Swisshelm		
D368,756 S		4/1996	Blough et al.		
D368,947 S		4/1996	Blough et al.		
5,547,194 A		8/1996	Aizawa et al.		
5,595,552 A		1/1997	Wright et al.		
5,658,209 A	*	8/1997	Blakemore	473/350
D421,080 S	*	2/2000	Chen	D21/747
D428,633 S	*	7/2000	Hasebe'	D21/748
D464,387 S		10/2002	Rollinson et al.		
D464,693 S		10/2002	Rollinson et al.		
D474,822 S		5/2003	Cleveland et al.		

* cited by examiner

Primary Examiner—Mitchell Siegel

(74) *Attorney, Agent, or Firm*—Michael A. Catania; Elaine
H. Lo

(57) **CLAIM**

The ornamental design for an iron golf club head, as shown
and described.

DESCRIPTION

FIG. 1 is a rear view of an iron golf club head of the present
invention;

FIG. 2 is a top plan view thereof;

FIG. 3 is a bottom plan view thereof;

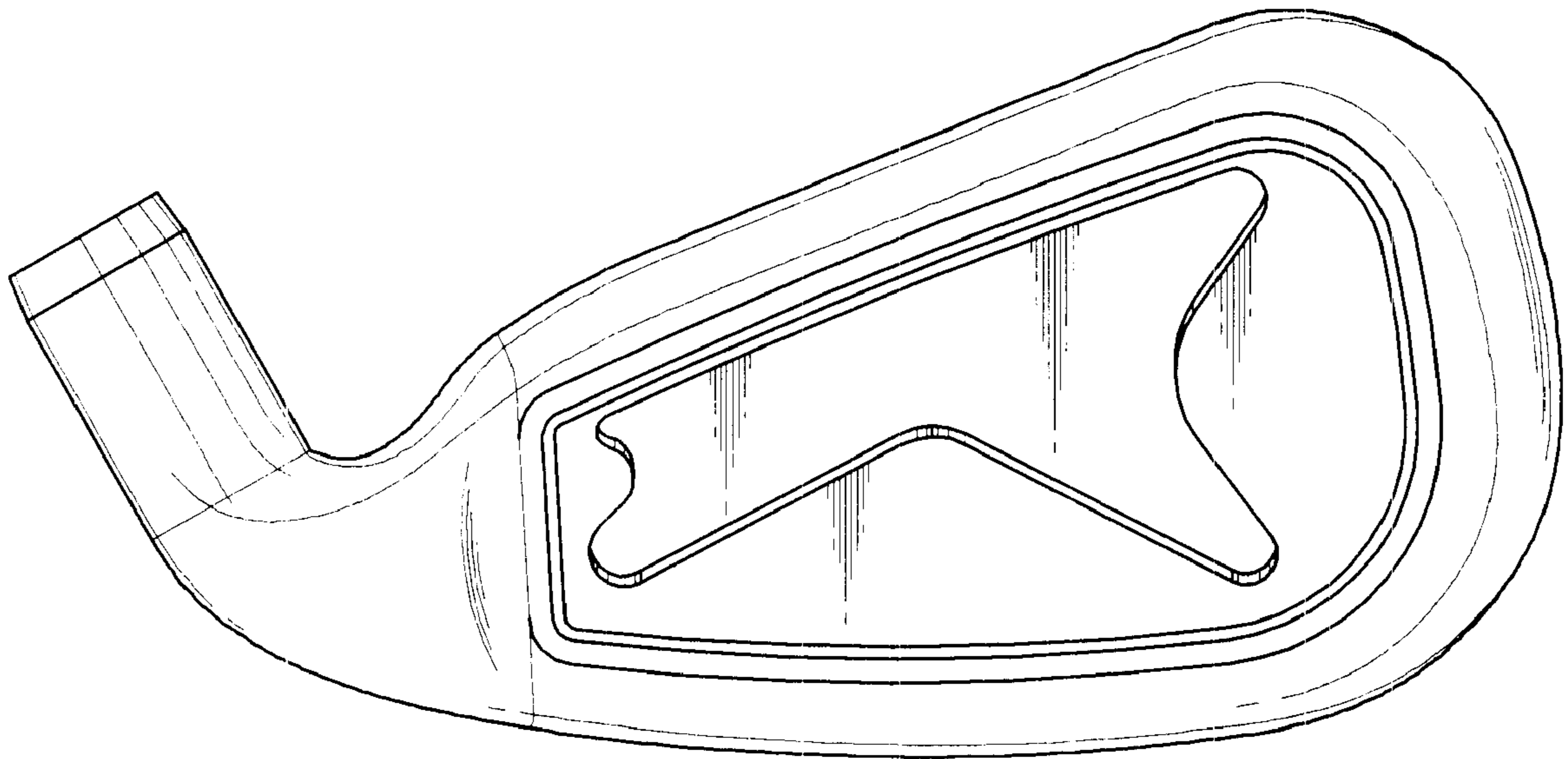
FIG. 4 is a front view thereof;

FIG. 5 is a toe view thereof; and,

FIG. 6 is a heel view thereof.

The broken line showing of grooves on the striking face is
for illustrative purposes only and forms no part of the
claimed design.

1 Claim, 2 Drawing Sheets



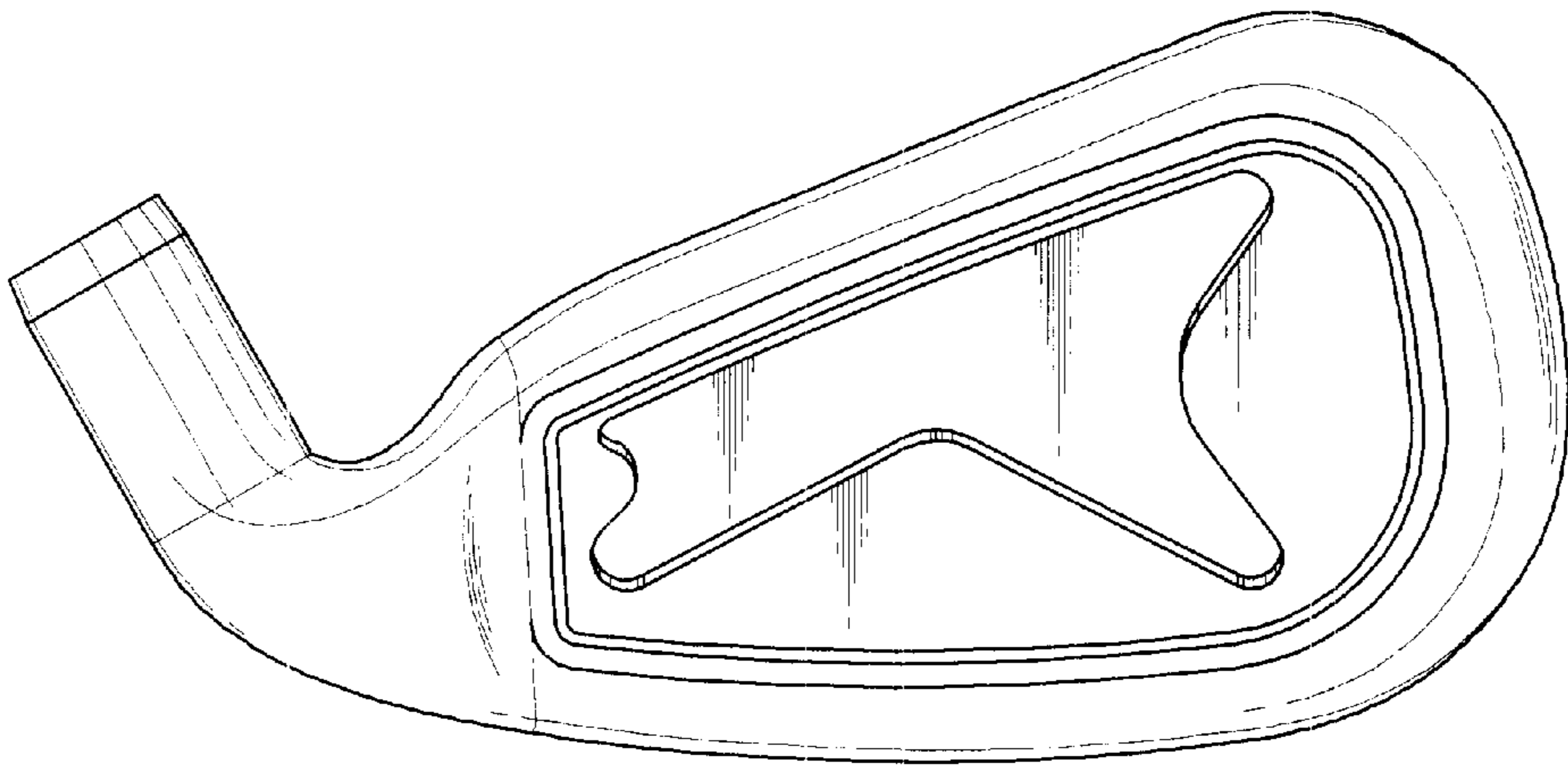


FIG. 1

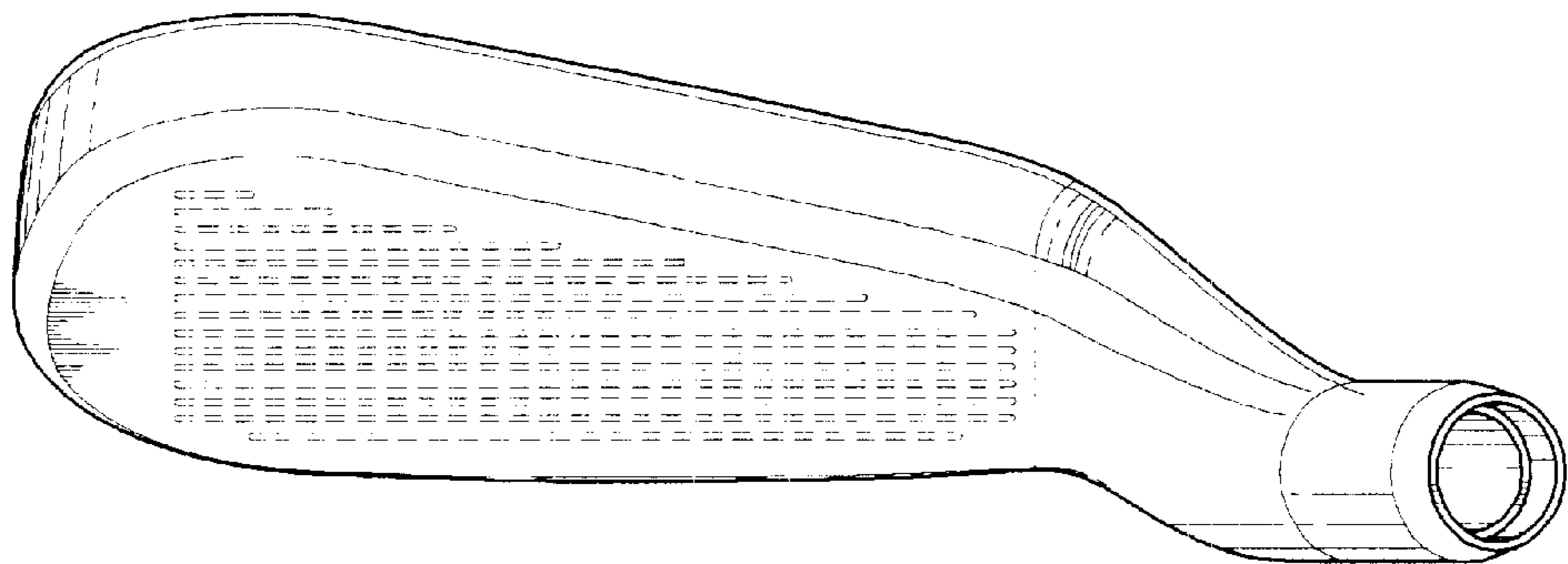


FIG. 2

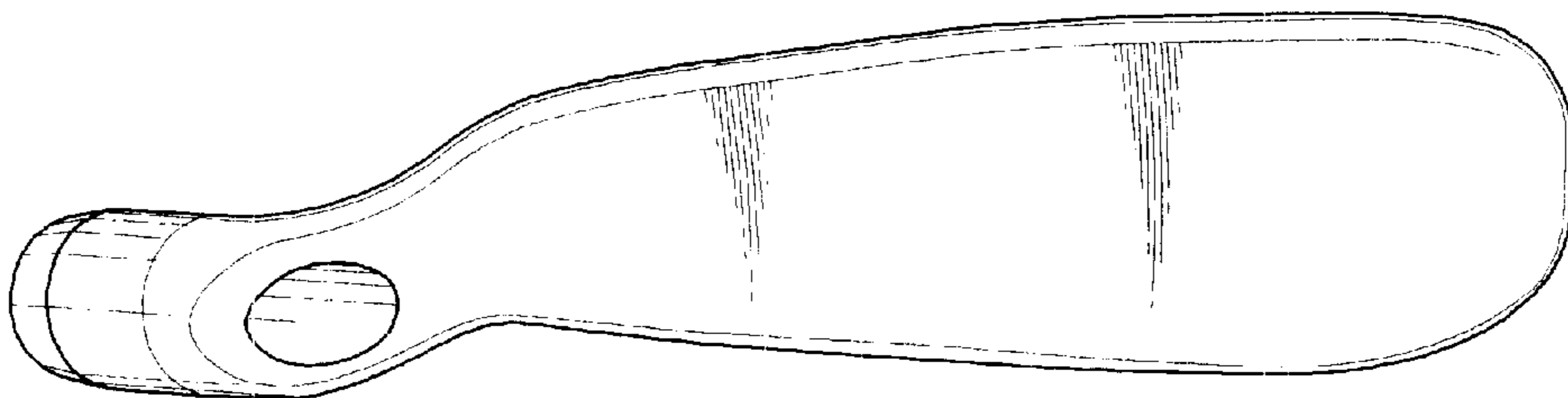


FIG. 3

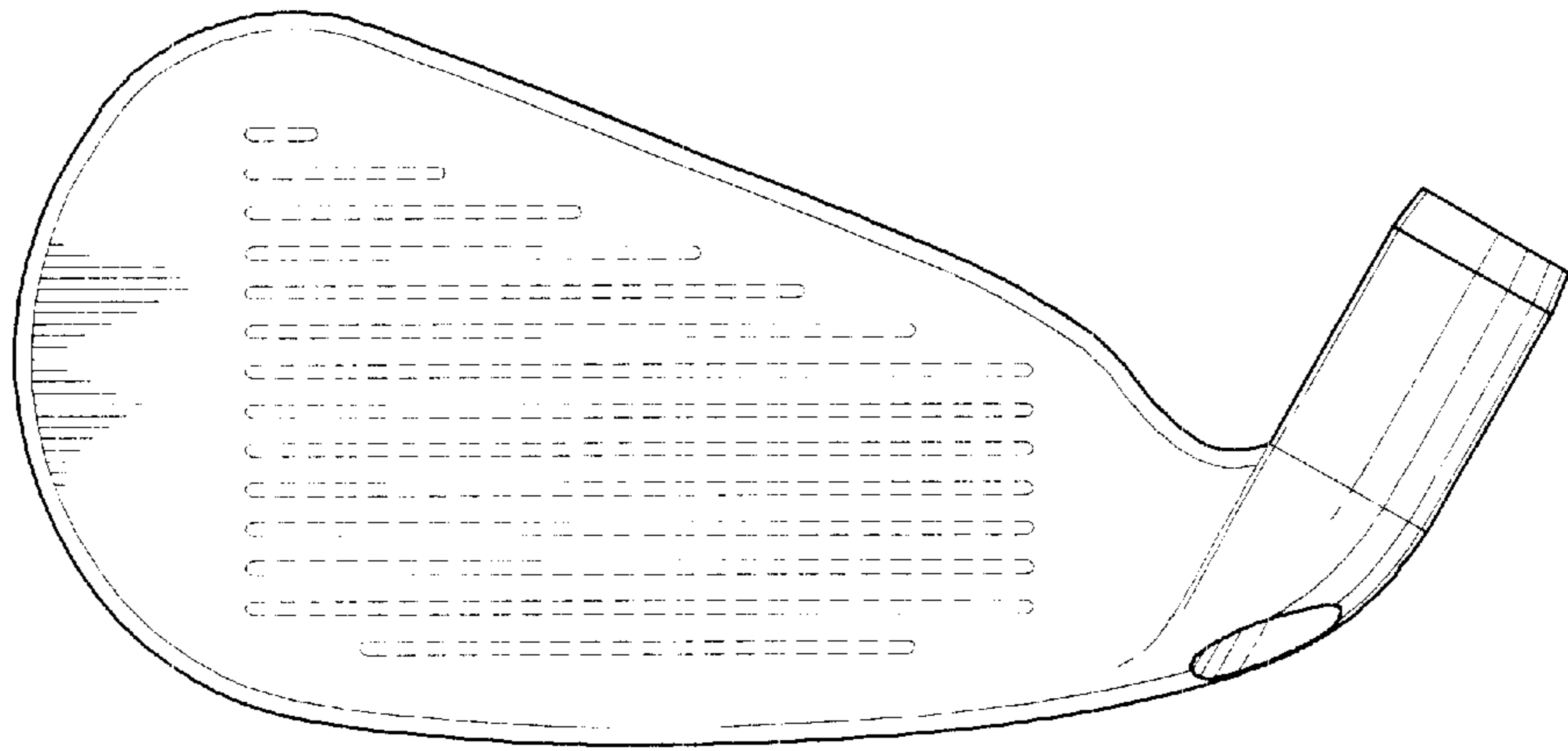


FIG. 4

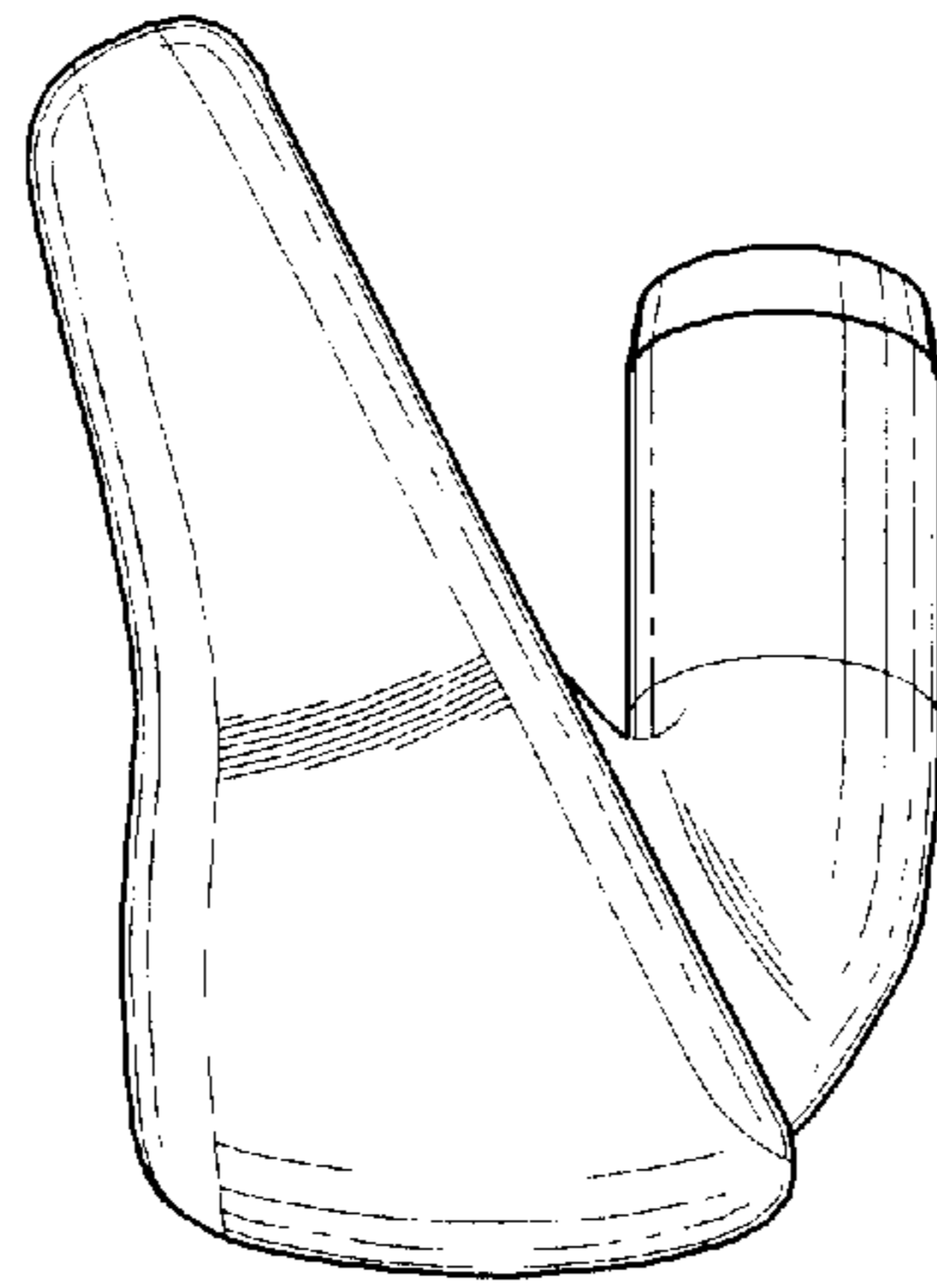


FIG. 5

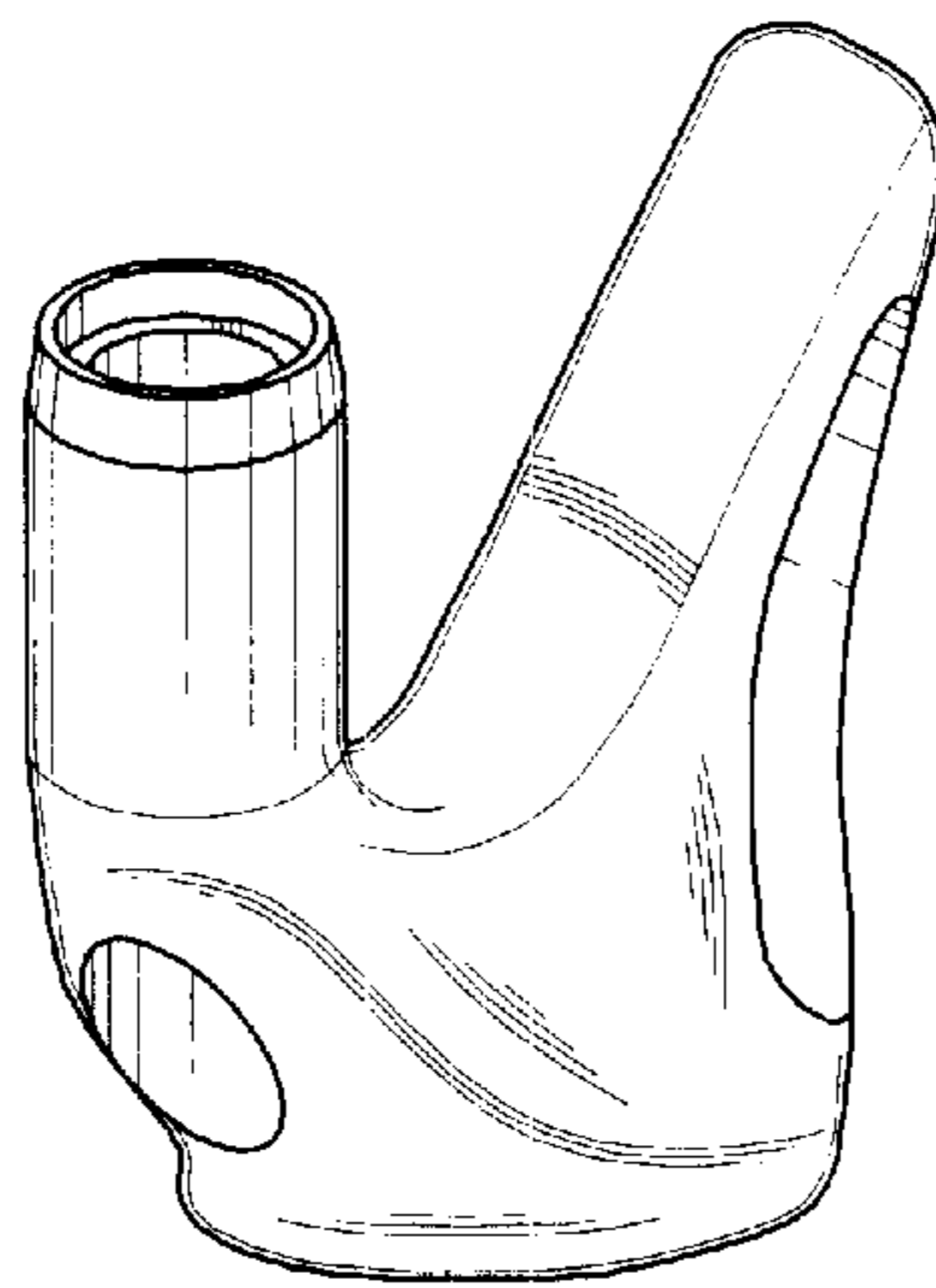


FIG. 6