



US00D484554S

(12) **United States Design Patent**
Hellman, Jr. et al.

(10) **Patent No.:** **US D484,554 S**

(45) **Date of Patent:** **** Dec. 30, 2003**

(54) **AQUATIC TREADMILL**

6,409,633 B1 * 6/2002 Abelbeck 482/54
D464,690 S * 10/2002 San-Ching D21/669

(75) Inventors: **Robert R. Hellman, Jr.**, Oxford, CT (US); **Robert Adley**, 147 Indian Hill Rd., Canton, CT (US) 06019

* cited by examiner

Primary Examiner—Philip S. Hyder

(73) Assignee: **Robert Adley**, Canton, CT (US)

(74) *Attorney, Agent, or Firm*—Perman & Green, LLP

(**) Term: **14 Years**

(57) **CLAIM**

(21) Appl. No.: **29/170,453**

I claim the ornamental design for an aquatic treadmill, as shown and described.

(22) Filed: **Nov. 5, 2002**

DESCRIPTION

(51) **LOC (7) Cl.** **21-02**

(52) **U.S. Cl.** **D21/669**

(58) **Field of Search** D21/662, 669,
D21/694, 686; 482/51, 52, 54, 55

FIG. 1 is a top, rear and left side perspective view showing my new design;

FIG. 2 is a top plan view thereof;

FIG. 3 is a front elevation view thereof;

FIG. 4 is a right side elevation view thereof, the left side being a mirror image thereof;

FIG. 5 is a rear elevation view thereof; and,

FIG. 6 is a bottom plan view thereof.

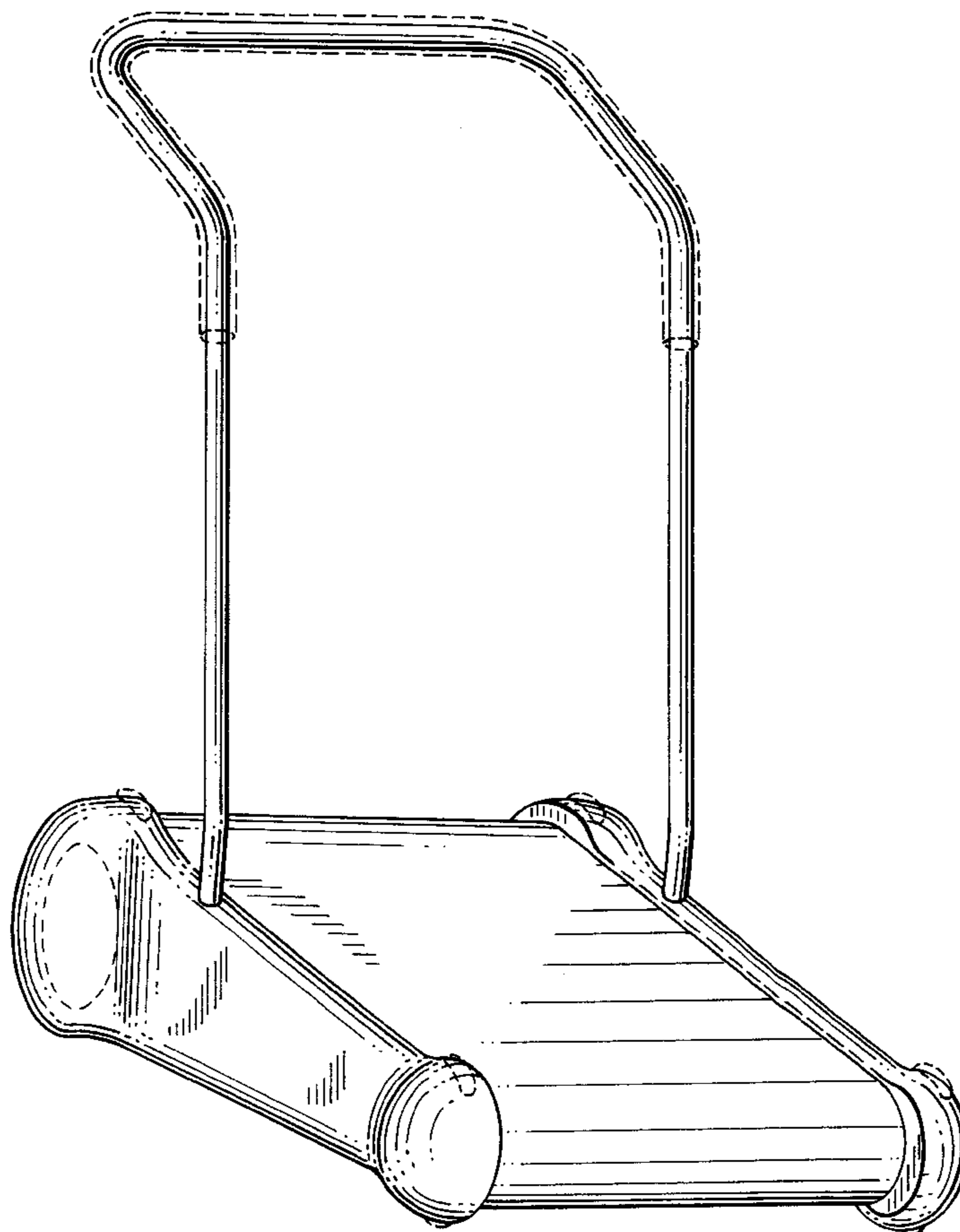
(56) **References Cited**

U.S. PATENT DOCUMENTS

- D355,227 S * 2/1995 Summers et al. D21/669
- D369,843 S * 5/1996 Wang et al. D21/669
- D372,508 S * 8/1996 Clem D21/669
- 5,558,604 A * 9/1996 Hopkins 482/54
- D374,260 S * 10/1996 Snyderman et al. D21/669
- D416,298 S * 11/1999 Onuma et al. D21/669

The broken lines showing portions of the aquatic treadmill are for illustrative purposes only and form no part of the claimed invention.

1 Claim, 6 Drawing Sheets



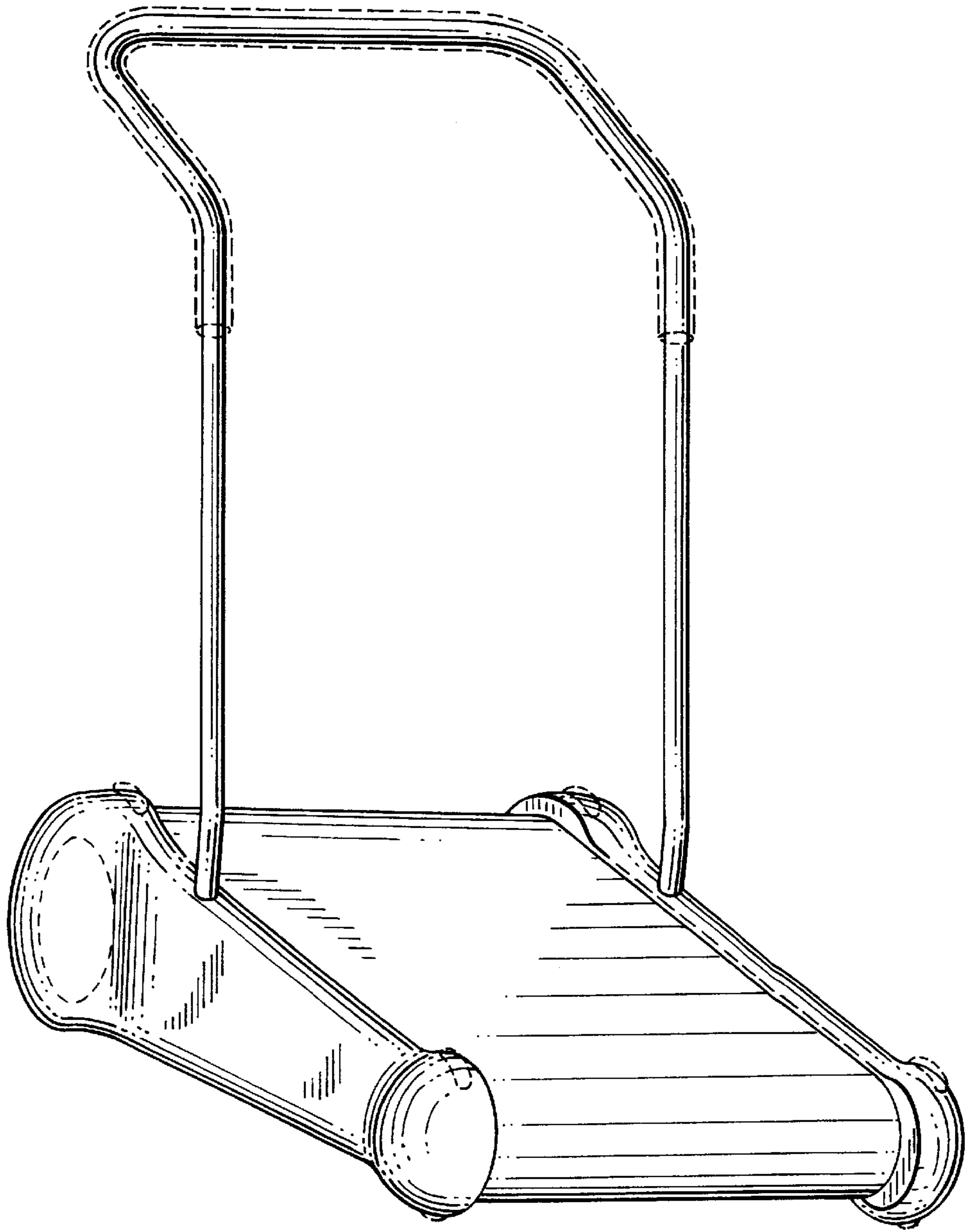


FIG. 1

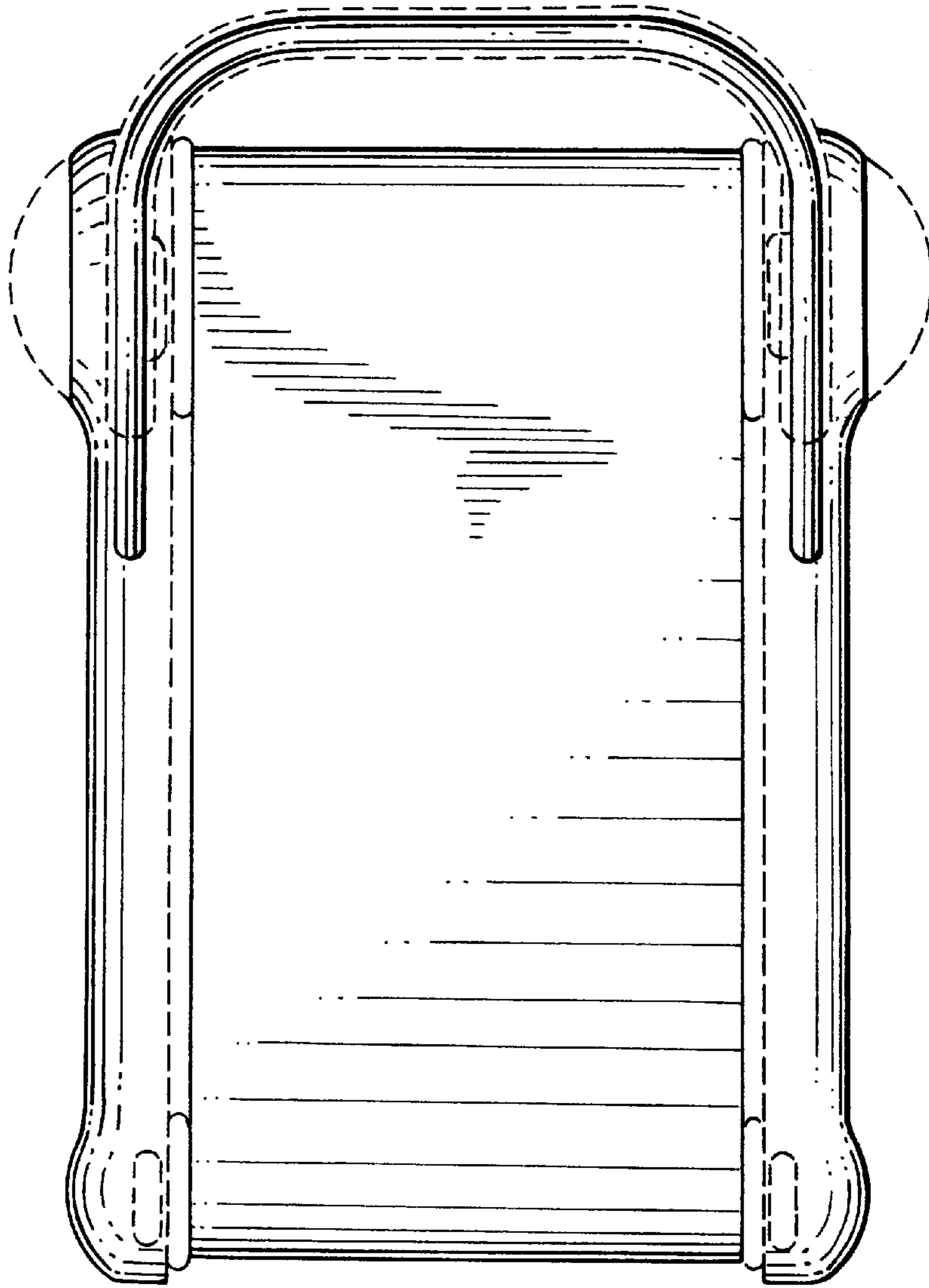


FIG. 2

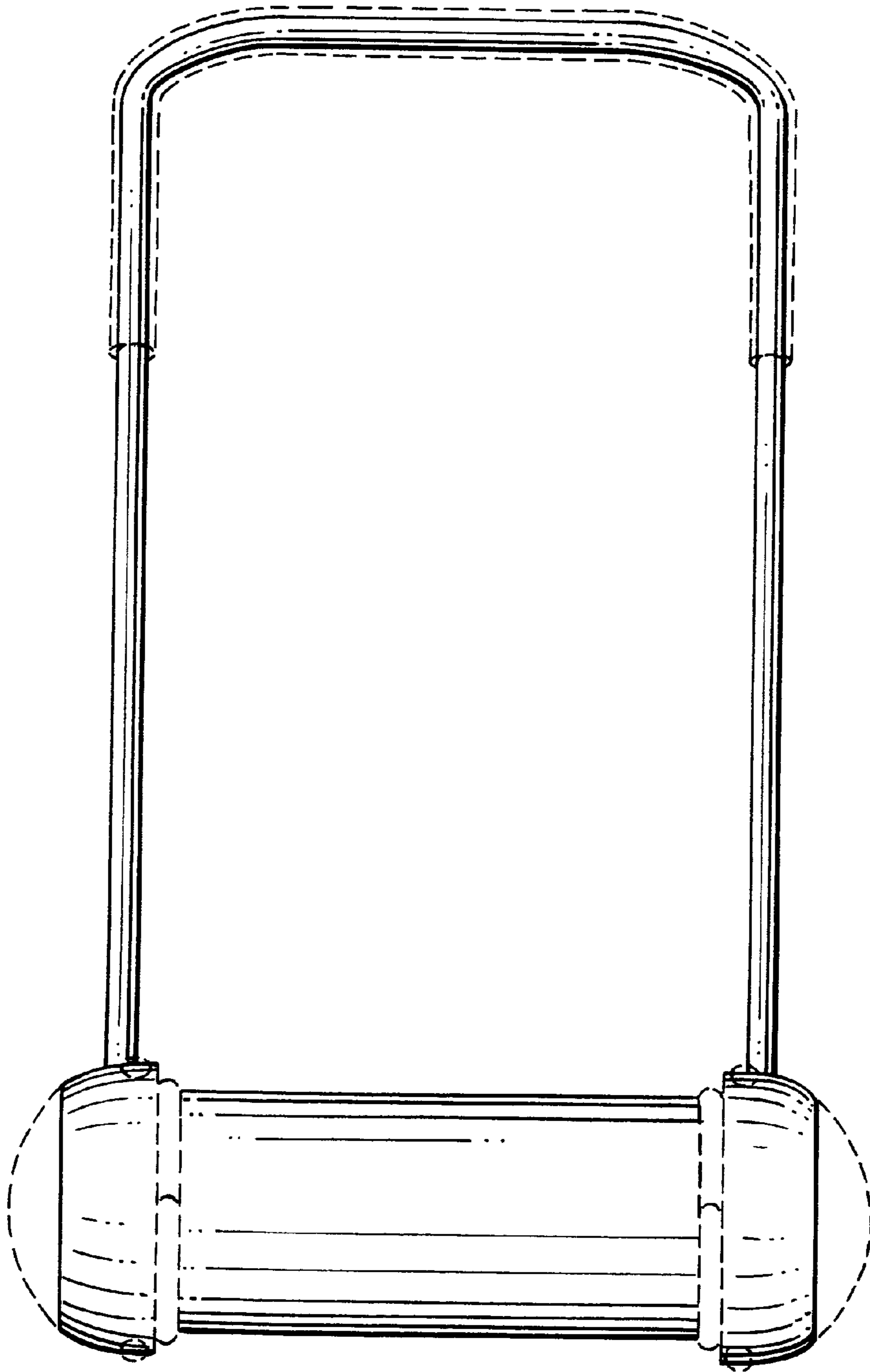


FIG. 3

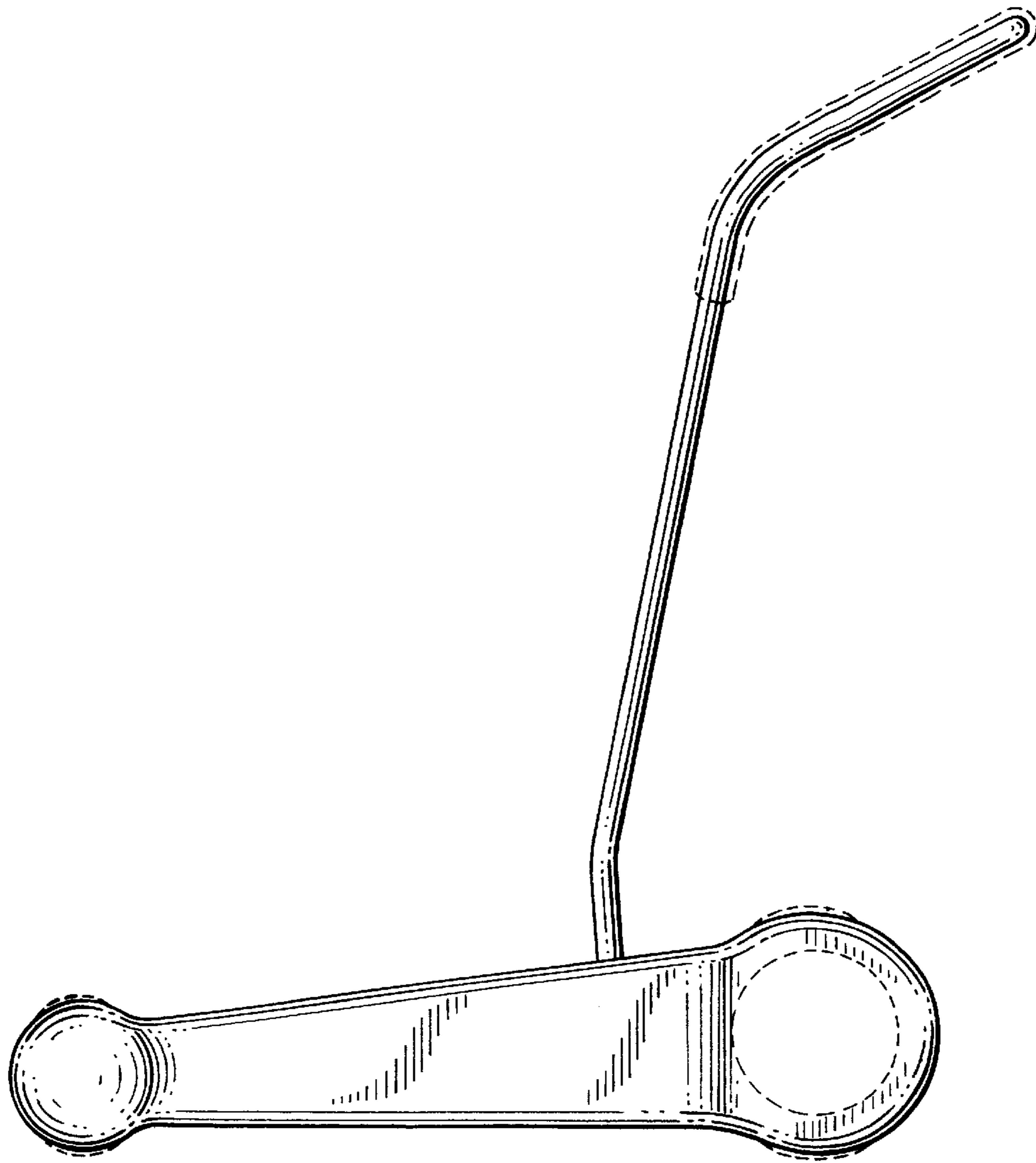


FIG. 4

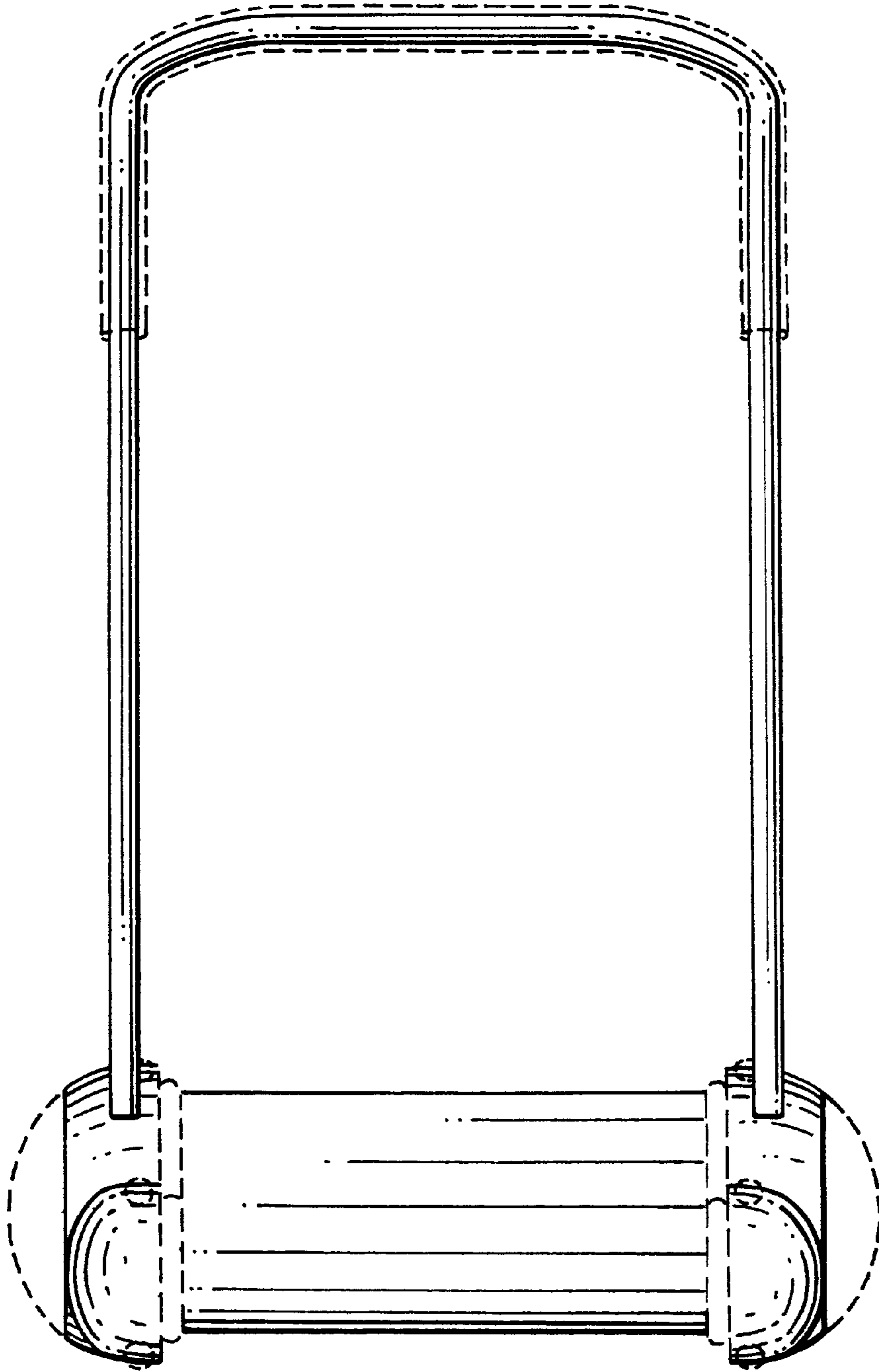


FIG. 5

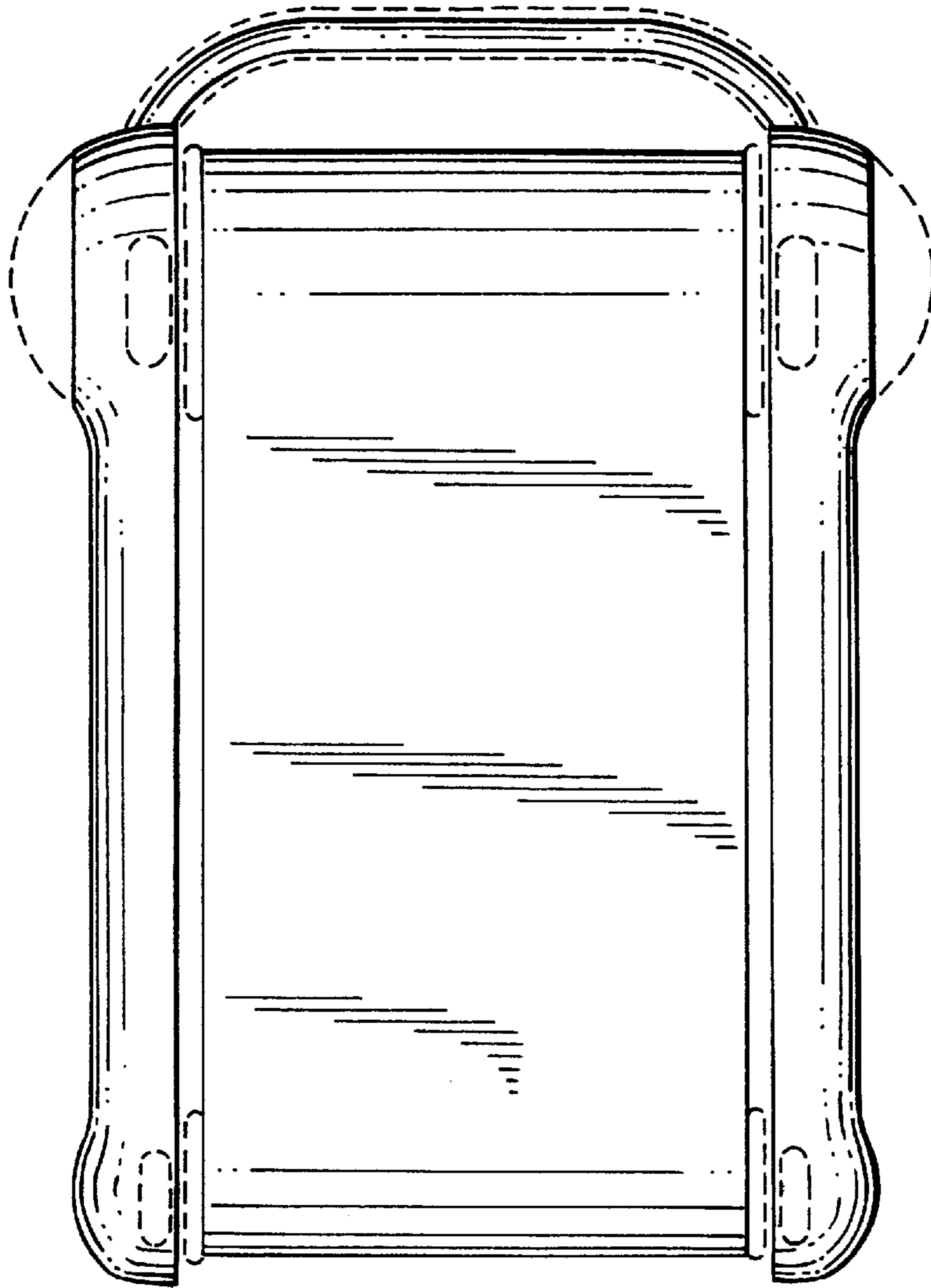


FIG. 6