



US00D484552S

(12) **United States Design Patent**
Schneider

(10) **Patent No.:** **US D484,552 S**

(45) **Date of Patent:** **** Dec. 30, 2003**

(54) **TOY TRACTOR**

(75) **Inventor:** **Frank Rolf Schneider**, Neustadt b.
Coburg (DE)

(73) **Assignee:** **Schneider GmbH & Co. KG**, Coburg
(DE)

(**) **Term:** **14 Years**

(21) **Appl. No.:** **29/177,994**

(22) **Filed:** **Mar. 19, 2003**

(51) **LOC (7) Cl.** **21-01**

(52) **U.S. Cl.** **D21/431**

(58) **Field of Search** D21/419-435,
D21/533-537, 548-551, 561-563; D15/24,
25; 446/424, 425, 433, 427, 440, 454, 456,
457, 462, 465, 470, 489; 280/113, 828,
87.01, 87.021, 87.051; 296/190, 202; 414/685,
694, 722, 724

(56) **References Cited**

U.S. PATENT DOCUMENTS

D211,746 S * 7/1968 Genin D21/537
4,236,344 A * 12/1980 Kelly 446/425

5,273,375 A * 12/1993 Plourde D15/25
D382,024 S * 8/1997 Ewringmann D21/431
D419,618 S * 1/2000 Park D21/537
D441,038 S * 4/2001 Wei D21/537

OTHER PUBLICATIONS

Toys r us, p. 49, 1993.*
Hong Kong toys, p. 105, Feb. 1997.*

* cited by examiner

Primary Examiner—Raphael Barkai
(74) *Attorney, Agent, or Firm*—Pyle & Piontek

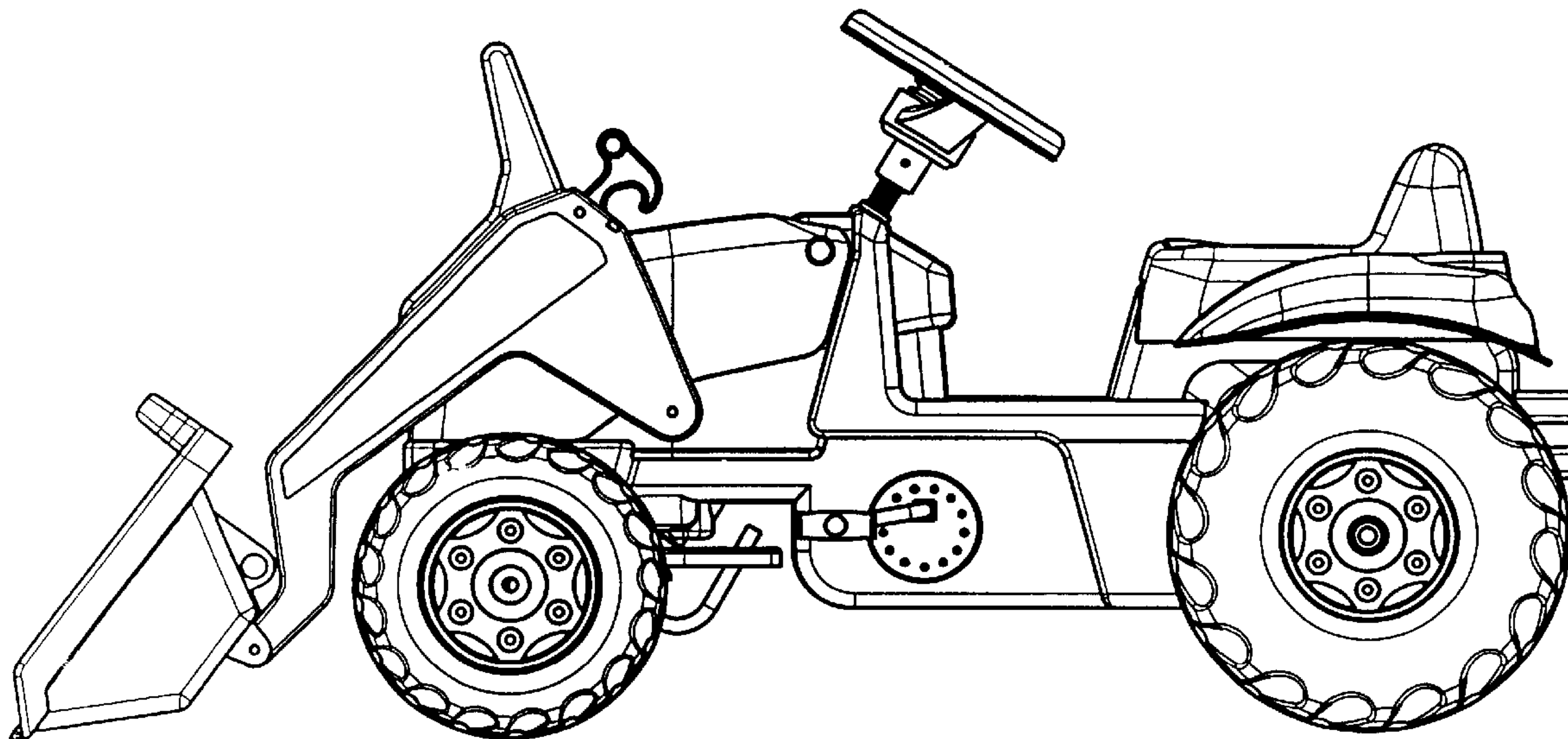
(57) **CLAIM**

I claim the ornamental design for toy tractor, as shown.

DESCRIPTION

FIG. 1 is a left side view showing the new design for a toy vehicle;
FIG. 2 is a right side view thereof;
FIG. 3 is a front view thereof;
FIG. 4 is a rear view thereof;
FIG. 5 is a top view thereof; and,
FIG. 6 is a bottom plan view thereof.

1 Claim, 6 Drawing Sheets



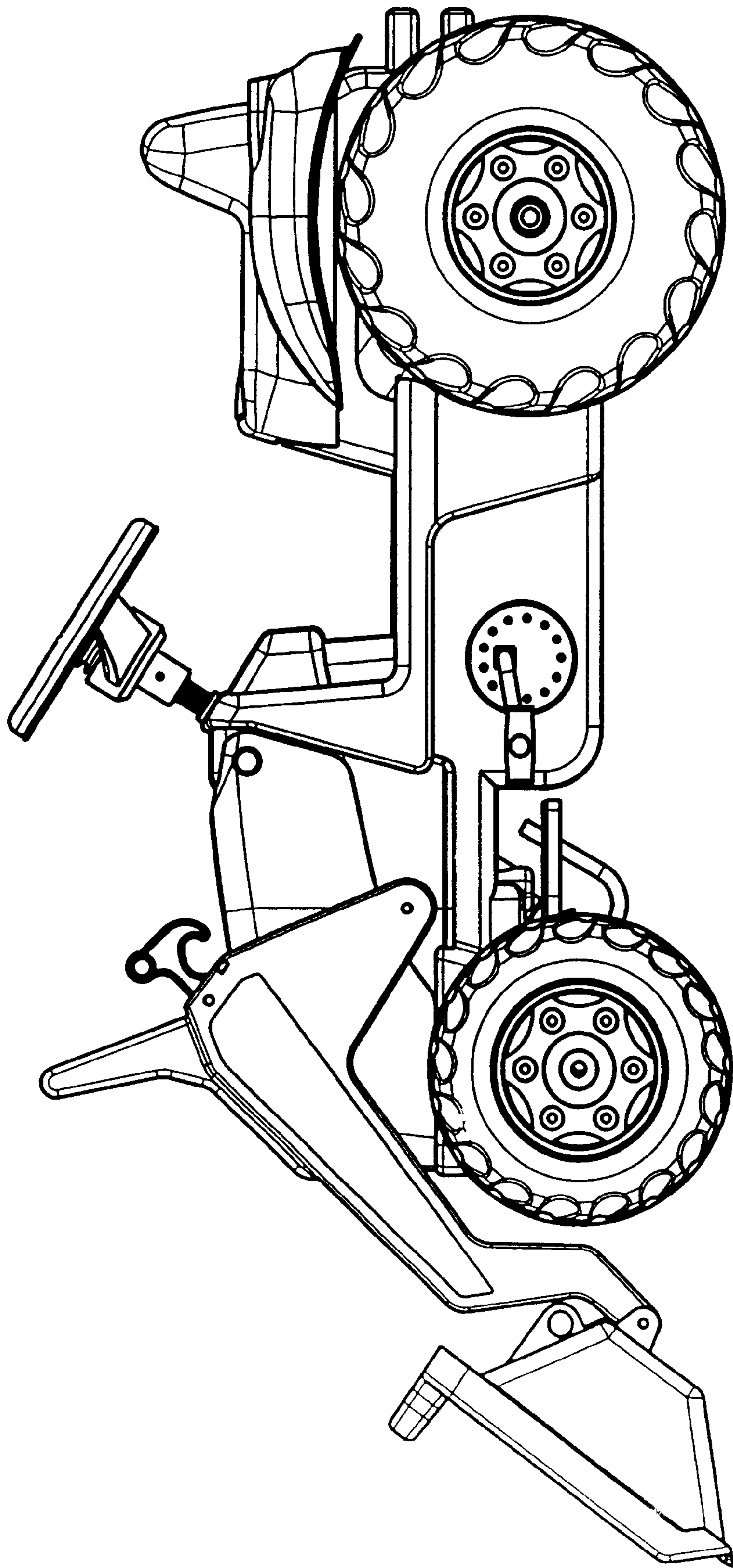


FIG. 1

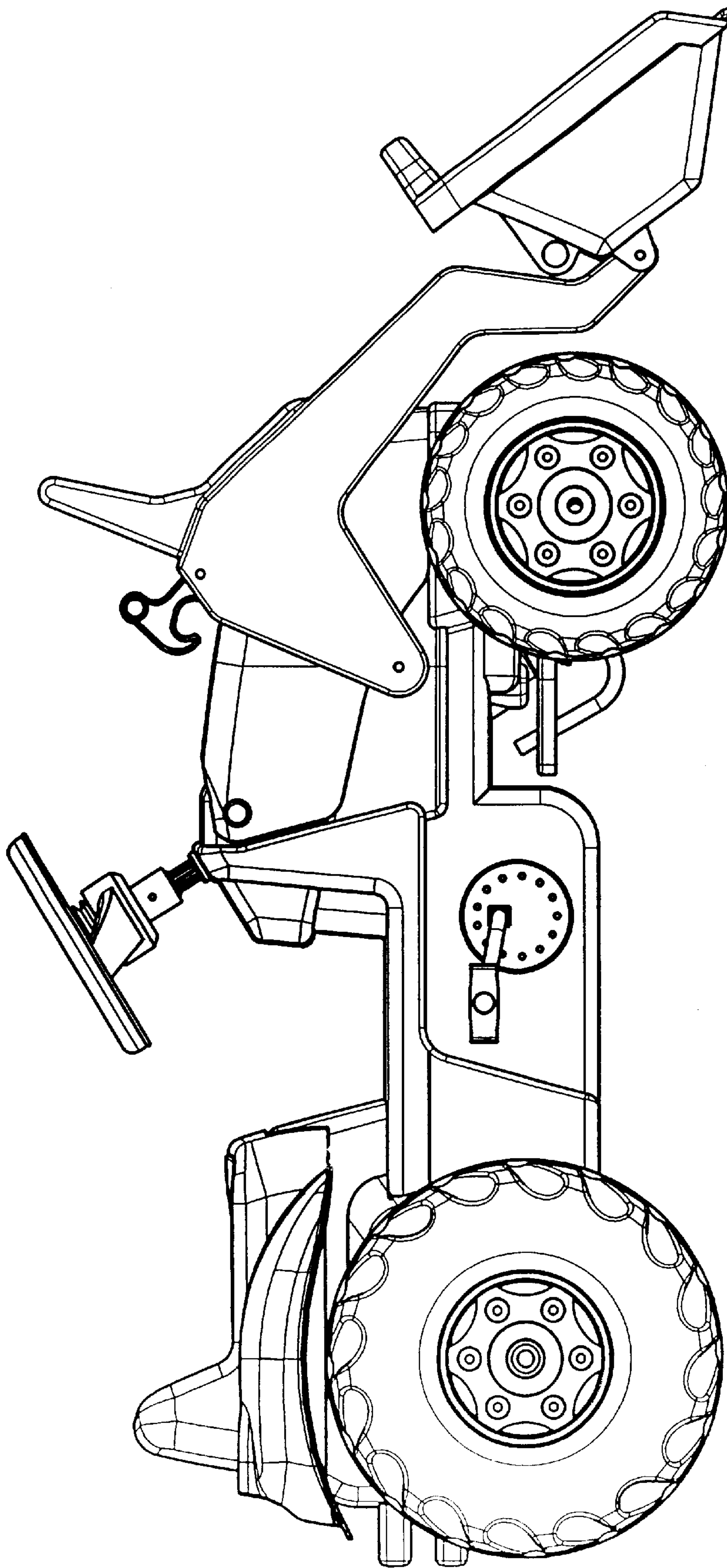


FIG. 2

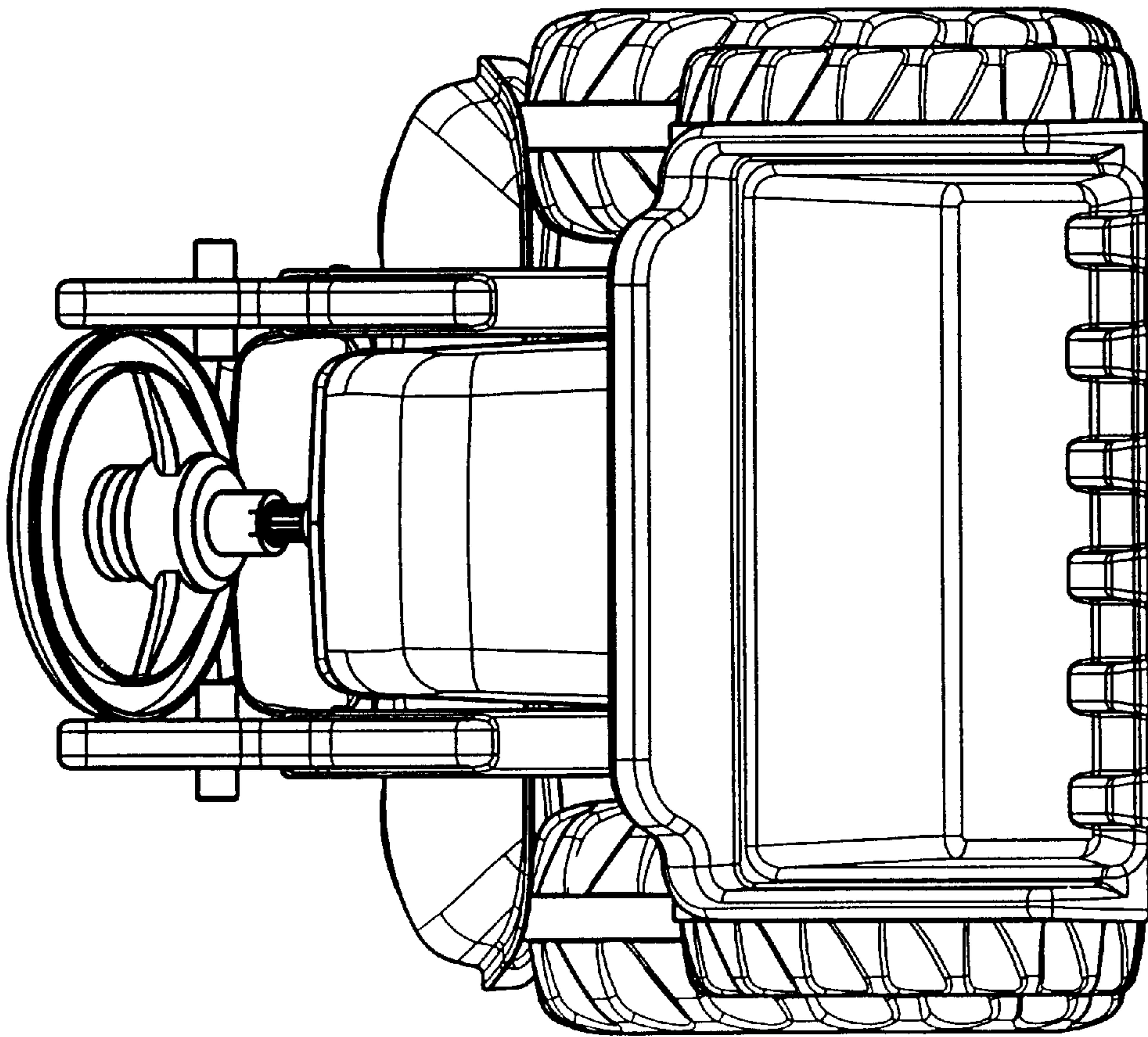


FIG. 3

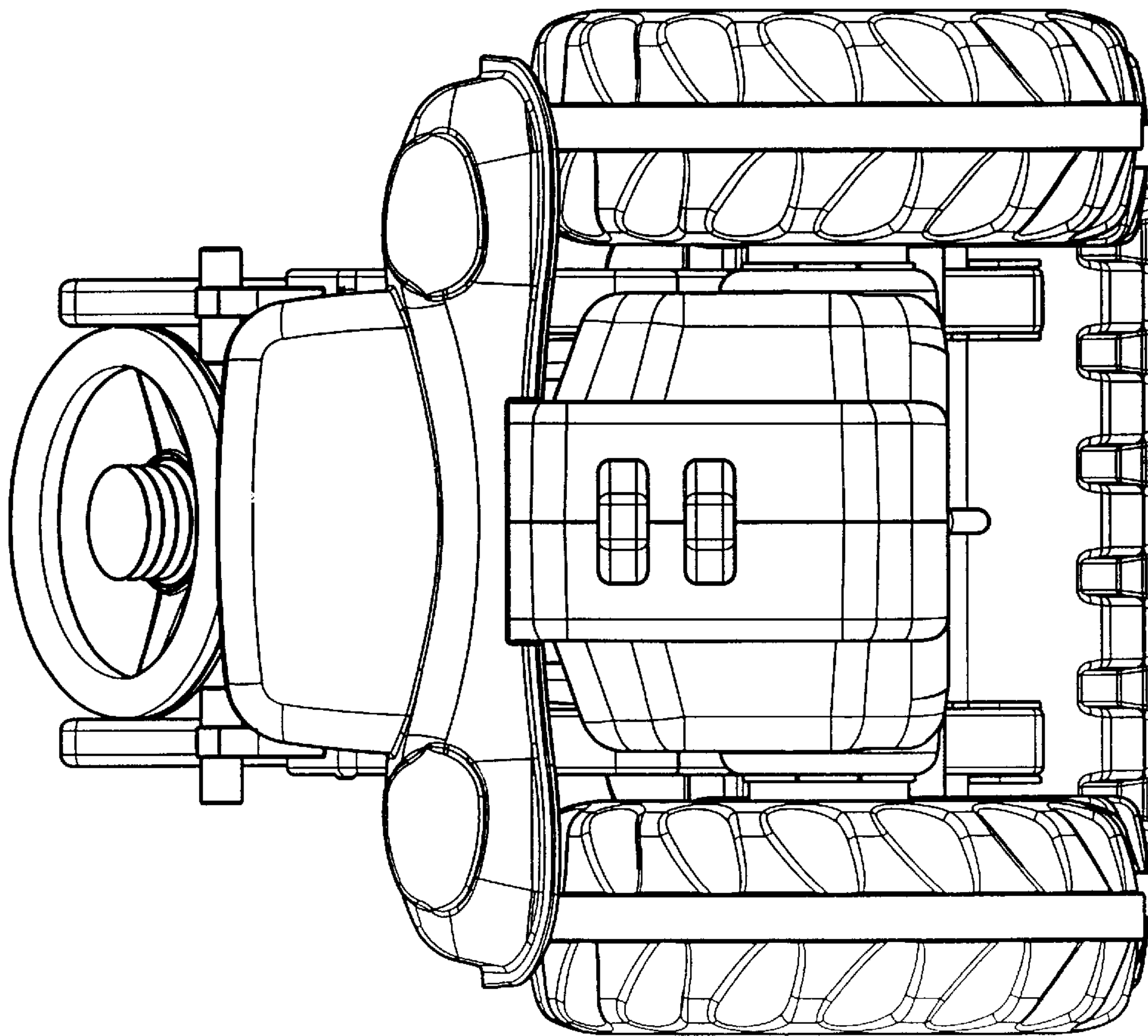


FIG. 4

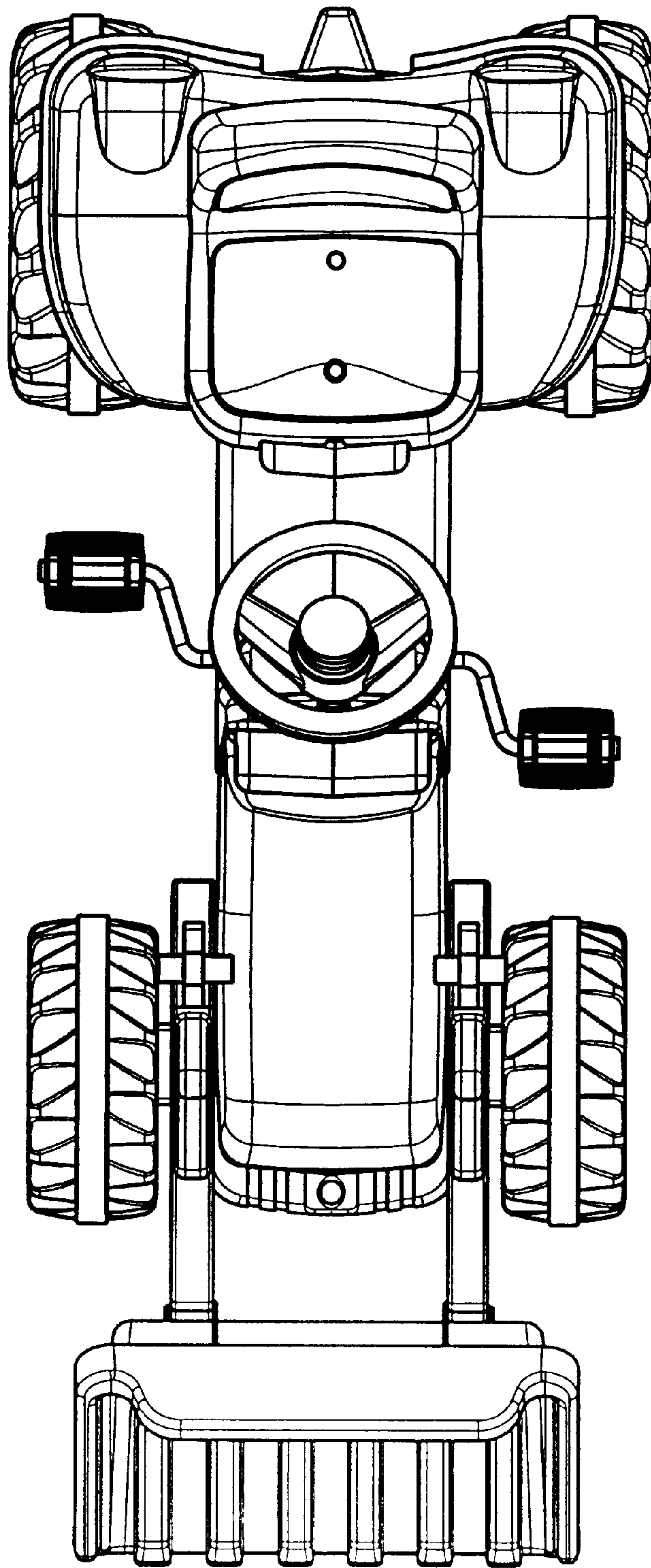


FIG. 5

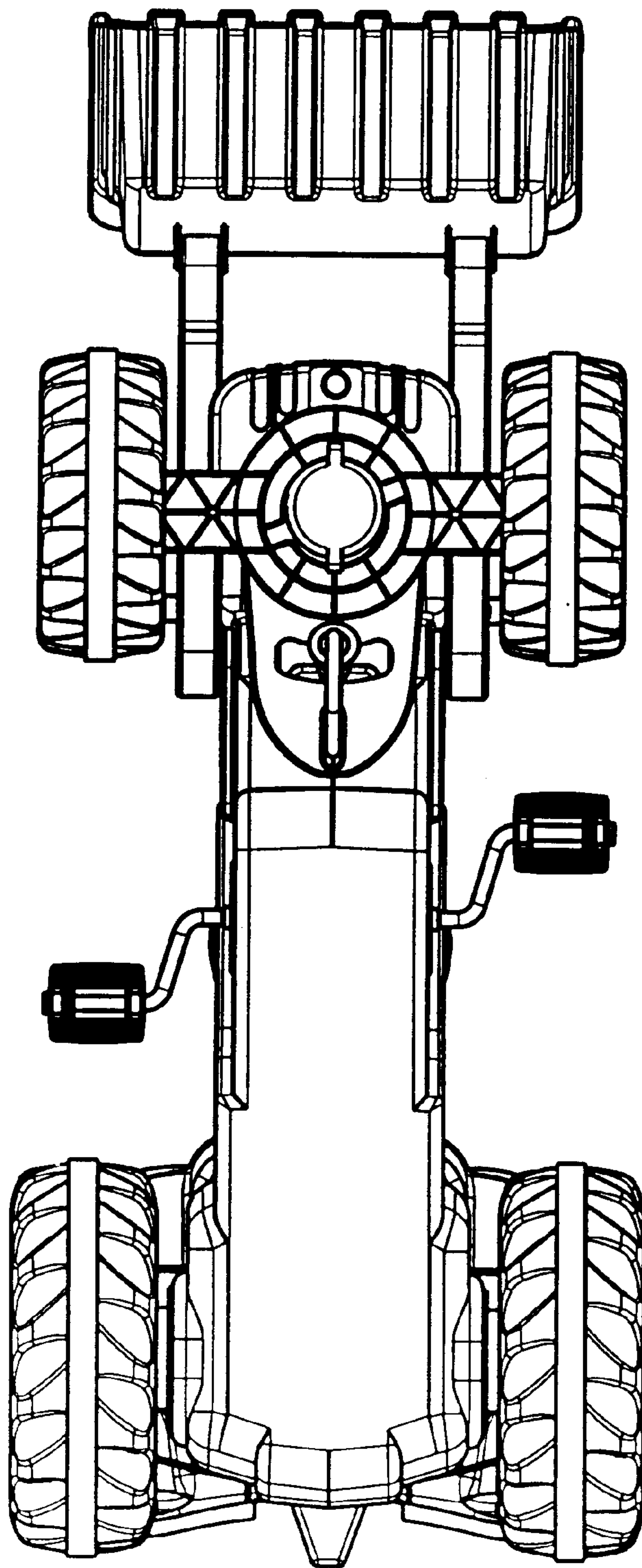


FIG. 6