



US00D484549S

(12) **United States Design Patent**  
**Seelig et al.**

(10) **Patent No.:** **US D484,549 S**

(45) **Date of Patent:** **\*\* Dec. 30, 2003**

(54) **GAMING DEVICE DISPLAY**

D463,506 S \* 9/2002 Seelig et al. .... D21/370  
6,582,307 B2 \* 6/2003 Webb ..... 463/20

(75) Inventors: **Jerald C. Seelig**, Pleasantville, NJ  
(US); **Lawrence M. Henshaw**,  
Pleasantville, NJ (US)

\* cited by examiner

(73) Assignee: **Atlantic City Coin & Slot Service  
Company, Inc.**, Pleasantville, NJ (US)

*Primary Examiner*—Sandra L. Morris  
(74) *Attorney, Agent, or Firm*—Ian F. Burns & Associates;  
Ian F. Burns

(\*\*) Term: **14 Years**

(57) **CLAIM**

(21) Appl. No.: **29/182,169**

The ornamental design for a gaming device display, as  
shown and described.

(22) Filed: **May 20, 2003**

**DESCRIPTION**

(51) **LOC (7) Cl.** ..... **21-03**

(52) **U.S. Cl.** ..... **D21/370**

(58) **Field of Search** ..... D21/325, 329,  
D21/369–371, 374, 385; D20/1, 7; 273/138.1;  
463/16–17, 20, 46–47

FIG. 1 is substantially a perspective view of a gaming device  
display.

FIG. 2 is substantially a front elevational view of the gaming  
device display shown in FIG. 1.

FIG. 3 is substantially a right side view of the gaming device  
display shown in FIG. 1.

FIG. 4 is substantially a left side view of the gaming device  
display shown in FIG. 1; and,

FIG. 5 is substantially a top plan view of the gaming device  
display shown in FIG. 1.

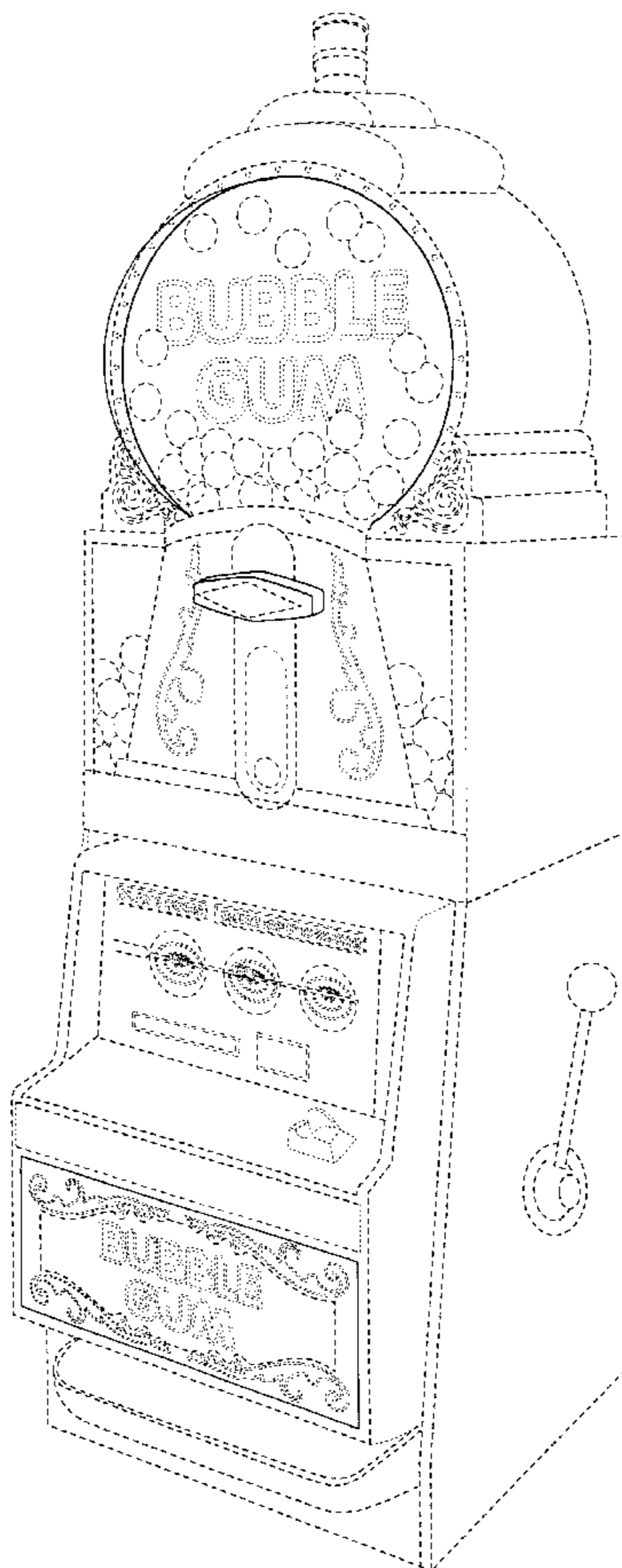
Broken lines illustrate features or environmental compo-  
nents that are not part of the design sought to be patented.

(56) **References Cited**

**U.S. PATENT DOCUMENTS**

3,077,254 A	*	2/1963	Goldfarb	.....	D20/7
D370,236 S	*	5/1996	Stockman	.....	D20/7
D407,442 S	*	3/1999	Thai	.....	D20/7
D446,817 S	*	8/2001	Grill	.....	D20/7
D448,050 S	*	9/2001	Humphrey	.....	D20/7
D462,399 S	*	9/2002	Seelig et al.	.....	D21/370

**1 Claim, 5 Drawing Sheets**



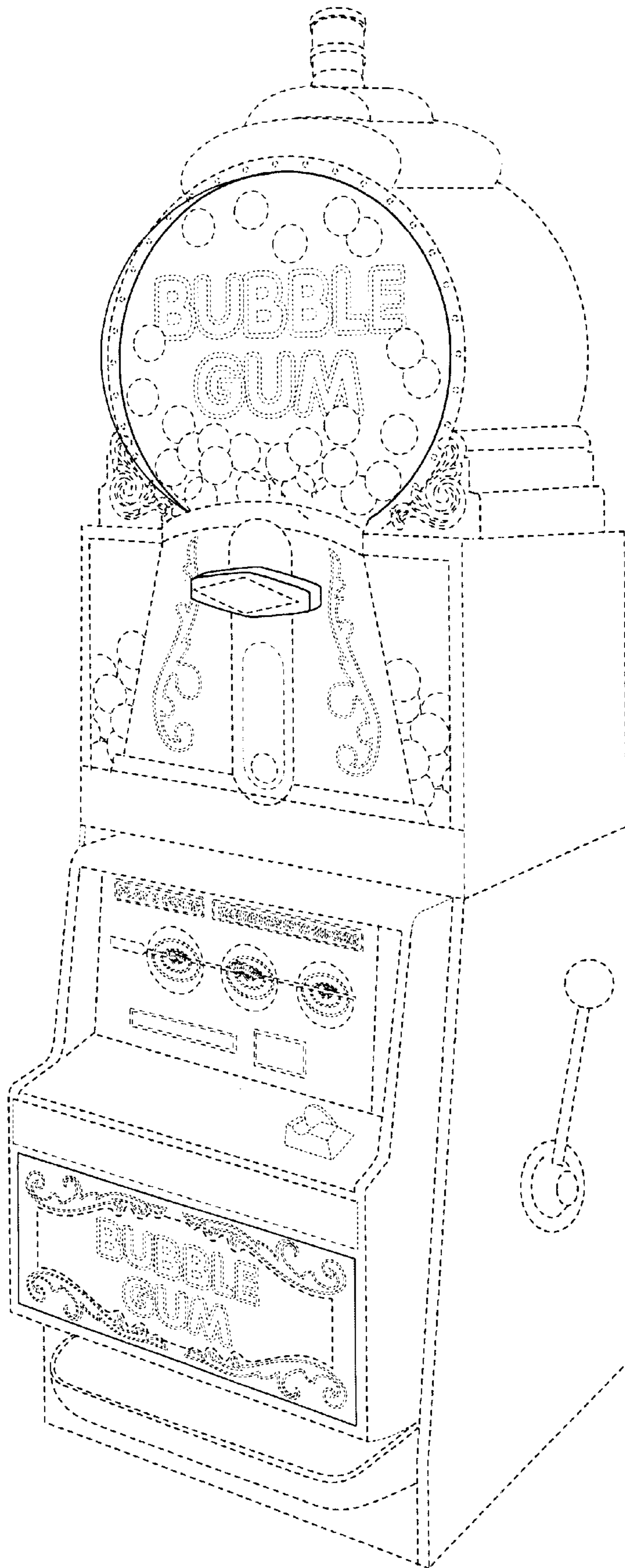


FIG. 1.

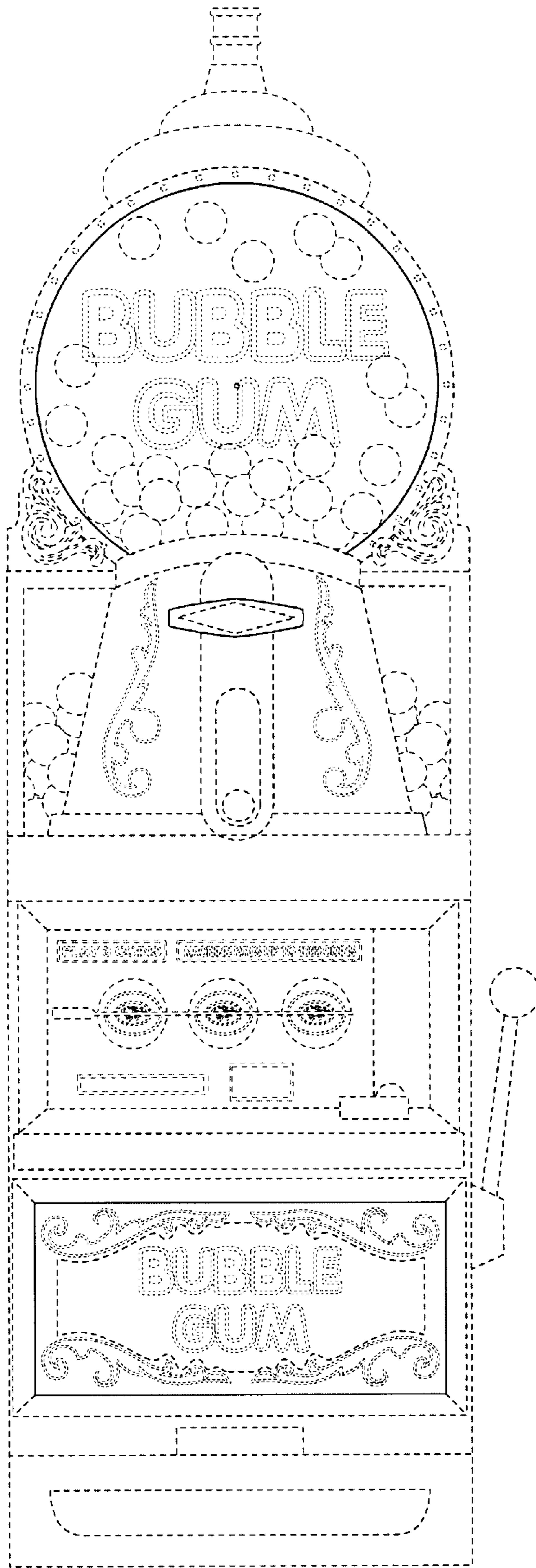
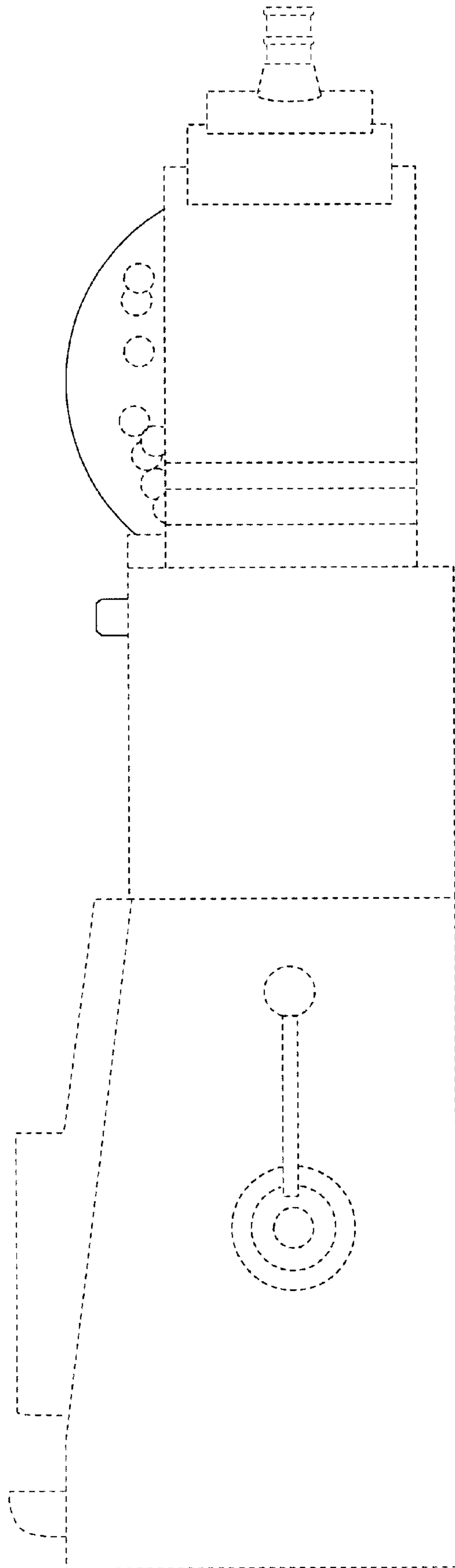
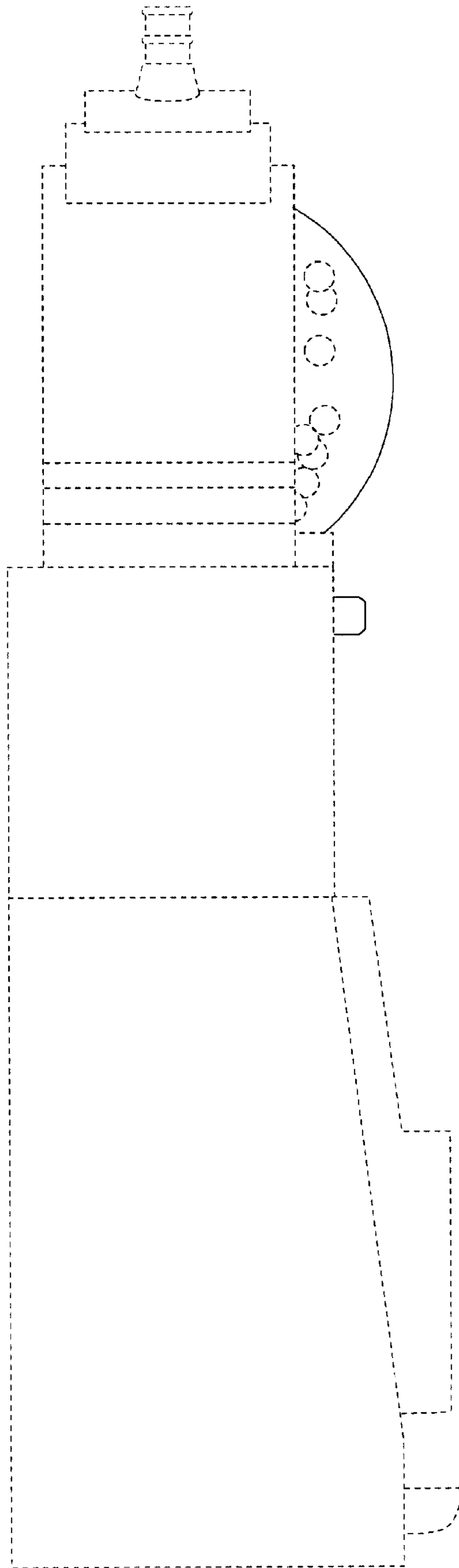


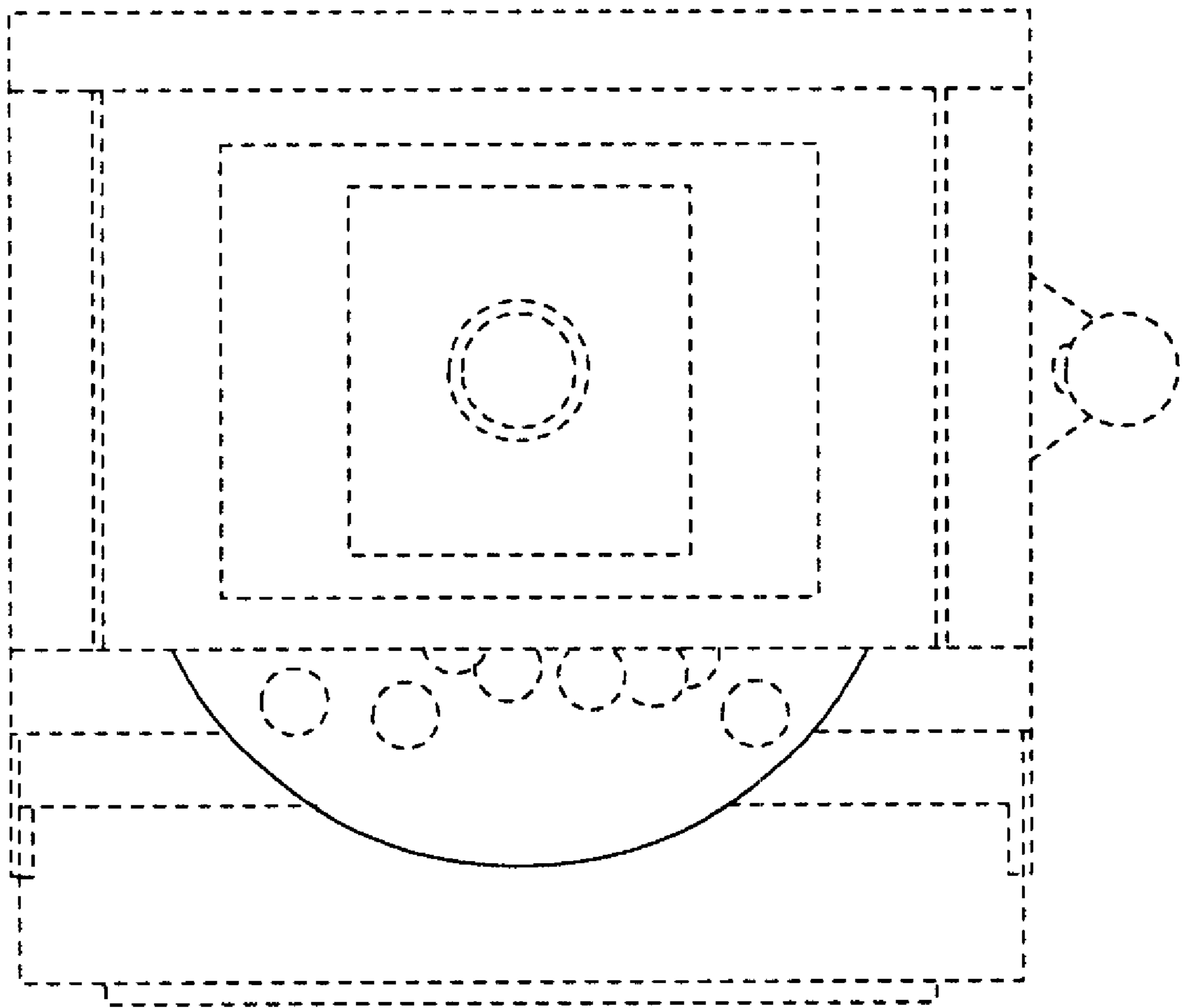
FIG. 2.



**FIG. 3.**



**FIG. 4.**



**FIG. 5.**