



US00D484547S

(12) **United States Design Patent** (10) **Patent No.:** **US D484,547 S**
Hussaini et al. (45) **Date of Patent:** **** Dec. 30, 2003**

(54) **LIGHT ACCESSORY FOR A HANDHELD ELECTRONIC DEVICE**

(75) Inventors: **Saied Hussaini**, Miami, FL (US); **Marc Iacovelli**, Miami, FL (US)

(73) Assignee: **Intec, Inc.**, Miami, FL (US)

(**) Term: **14 Years**

(21) Appl. No.: **29/177,230**

(22) Filed: **Mar. 7, 2003**

(51) **LOC (7) Cl.** **21-01**

(52) **U.S. Cl.** **D21/333**

(58) **Field of Search** D21/324–333, D21/369, 385; D3/218; D26/24, 26, 51, 52, 72; 273/148 A, 148 B, 108, 118 R, 123 R, 454; 463/46, 47, 49, 1, 16–22; 345/156, 905; 362/97, 98, 101, 109, 217, 21

(56) **References Cited**

U.S. PATENT DOCUMENTS

4,589,659	A	*	5/1986	Yokoi et al.	463/46
5,379,201	A	*	1/1995	Friedman	362/191
5,868,487	A	*	2/1999	Plooy et al.	362/109
D426,860	S	*	6/2000	Ho	D21/333
D448,426	S	*	9/2001	Yu	D21/333
D458,644	S	*	6/2002	Yu	D21/333
D461,509	S	*	8/2002	Yu	D21/333
D461,849	S	*	8/2002	Hussaini et al.	D21/333
D462,094	S	*	8/2002	Hussaini et al.	D21/333
D462,395	S	*	9/2002	Hussaini et al.	D21/333
6,493,216	B1	*	12/2002	Lin	345/905

* cited by examiner

Primary Examiner—Prabhakar Deshmukh

(74) *Attorney, Agent, or Firm*—Liniak, Berenato & White

(57) **CLAIM**

The ornamental design for a light accessory for a handheld electronic device, as shown and described.

DESCRIPTION

FIG. 1 is a front view of a light accessory for a handheld electronic device according to the present invention.

FIG. 2 is a rear view of the light accessory for a handheld electronic device of FIG. 1.

FIG. 3 is a top view of the light accessory for a handheld electronic device of FIG. 1.

FIG. 4 is a bottom view of the light accessory for a handheld electronic device of FIG. 1.

FIG. 5 is a left side view of the light accessory for a handheld electronic device of FIG. 1 with the retractable lights in a folded position.

FIG. 6 is a right side view of the light accessory for a handheld electronic device of FIG. 1 with the retractable lights in folded position.

FIG. 7 is a left side view of the light accessory for a handheld electronic device of FIG. 1 with the retractable lights in a working position.

FIG. 8 is a right side view of the light accessory for a handheld electronic device of FIG. 1 with the retractable lights in a working position.

FIG. 9 is a front and left perspective view of a light accessory for a handheld electronic device according to the present invention with the lights shown in the retracted position; and,

FIG. 10 is a front and left perspective view of a light accessory for a handheld electronic device according to the present invention with the lights shown in the working position.

1 Claim, 4 Drawing Sheets

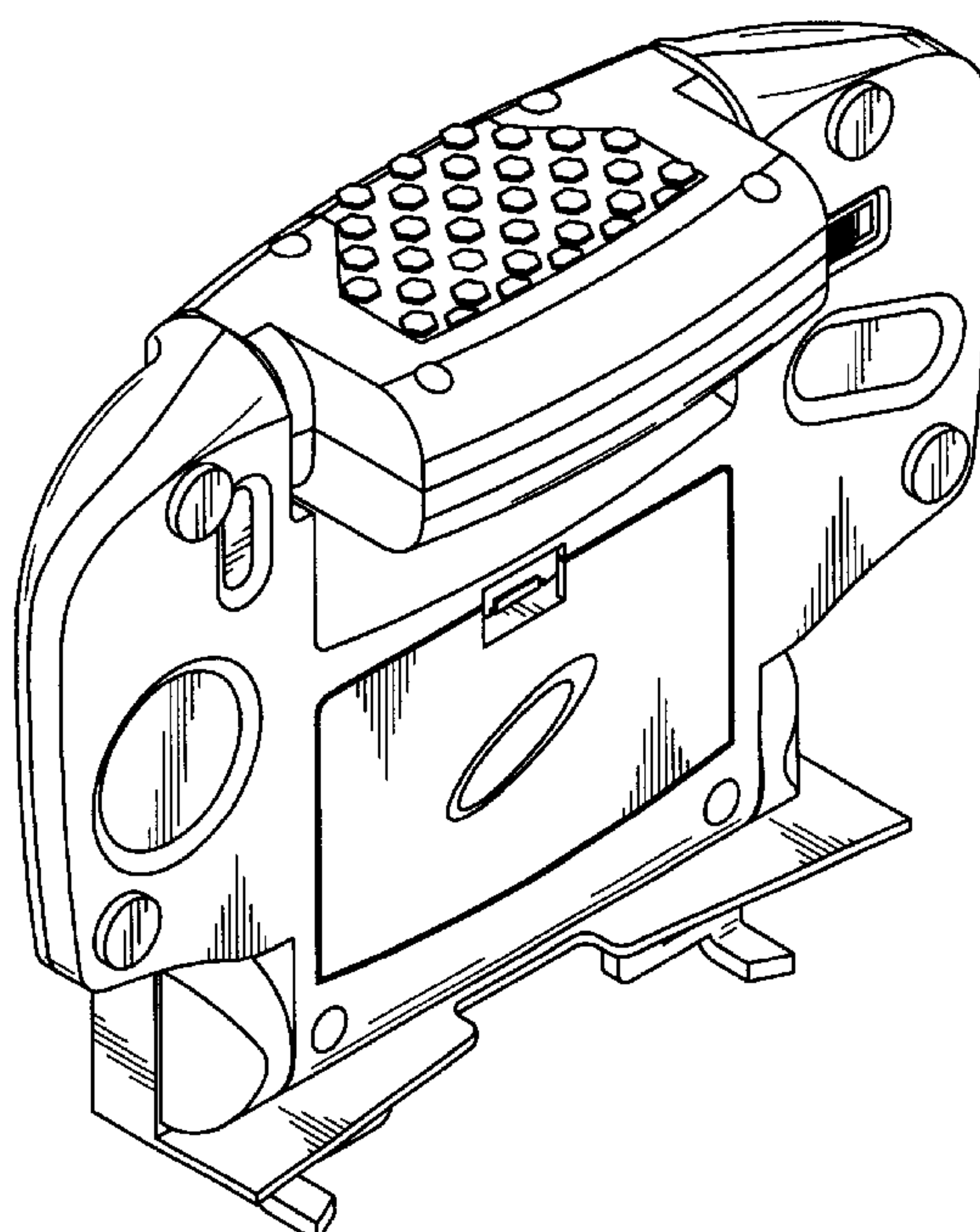


Fig. 1

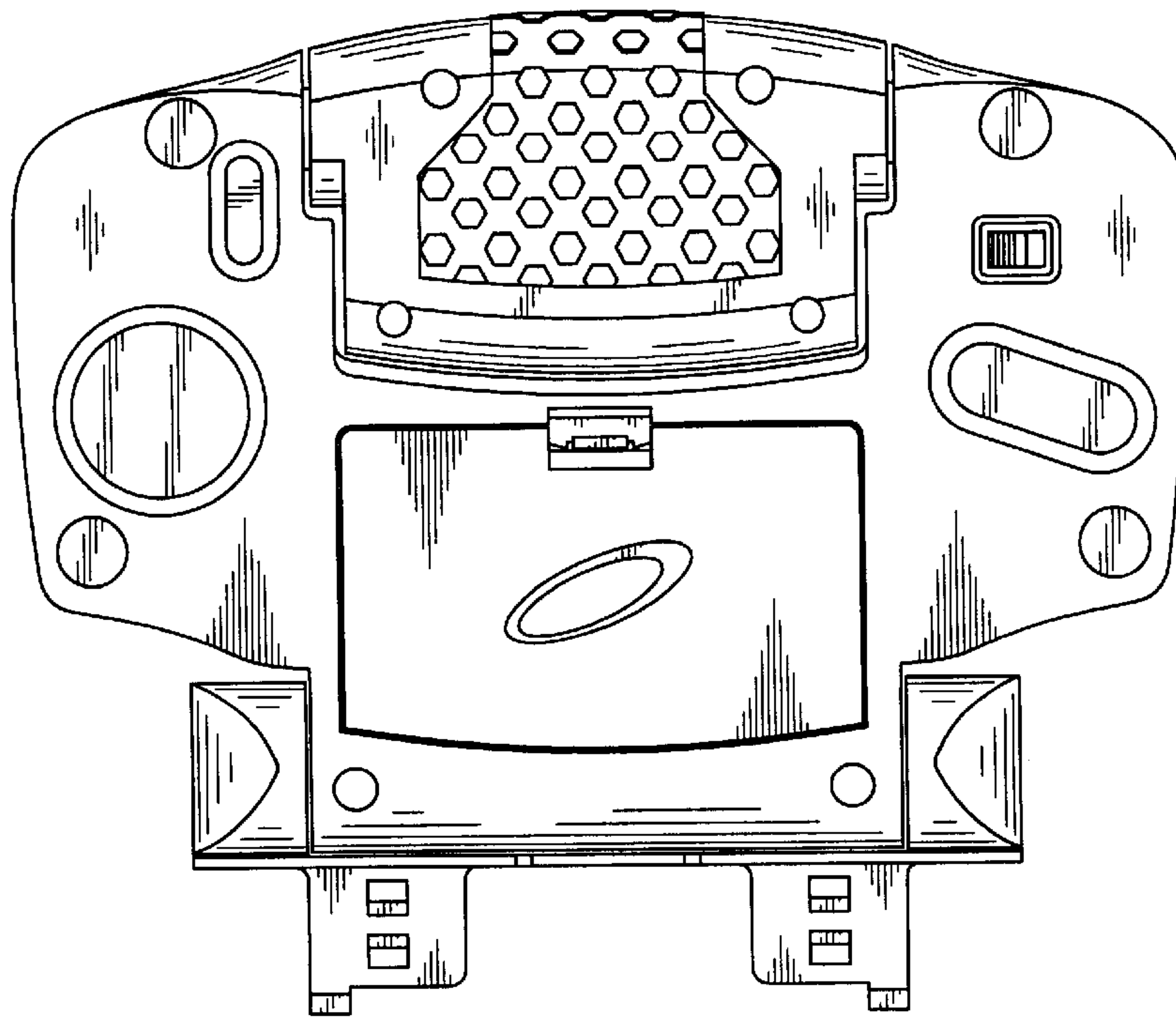


Fig. 2

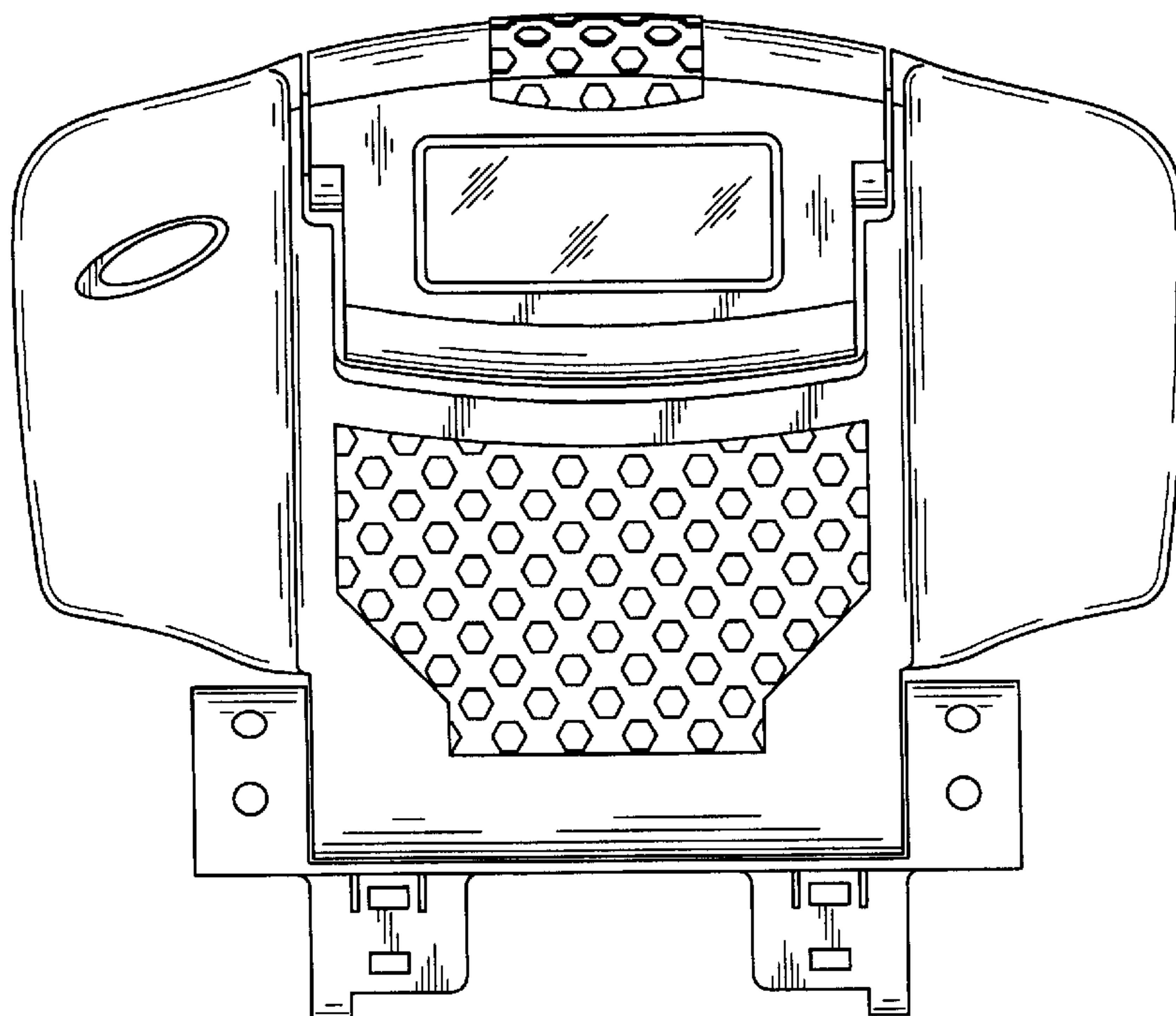


Fig. 3

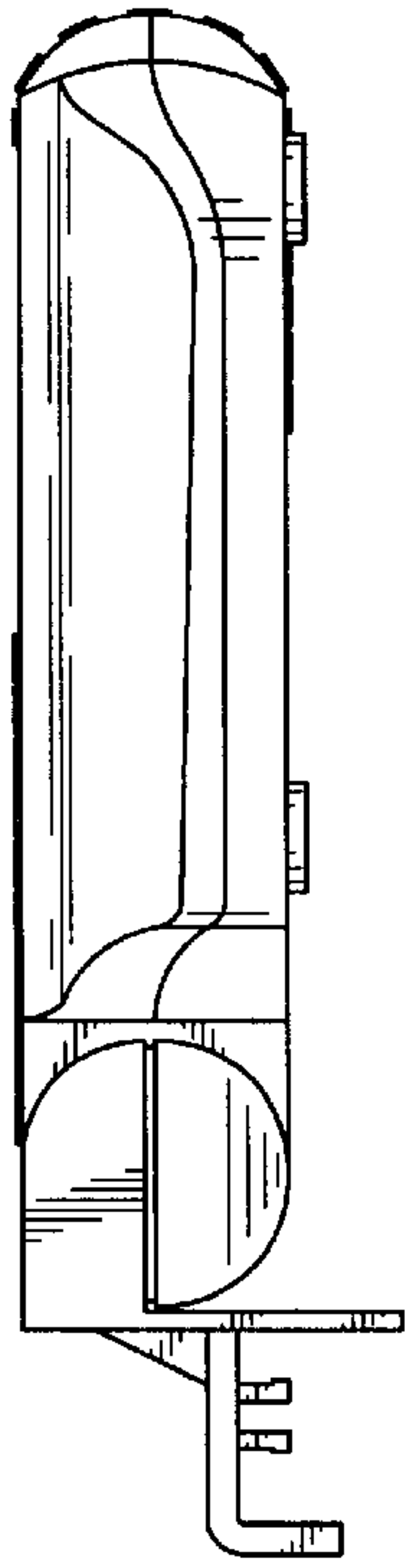


Fig. 4

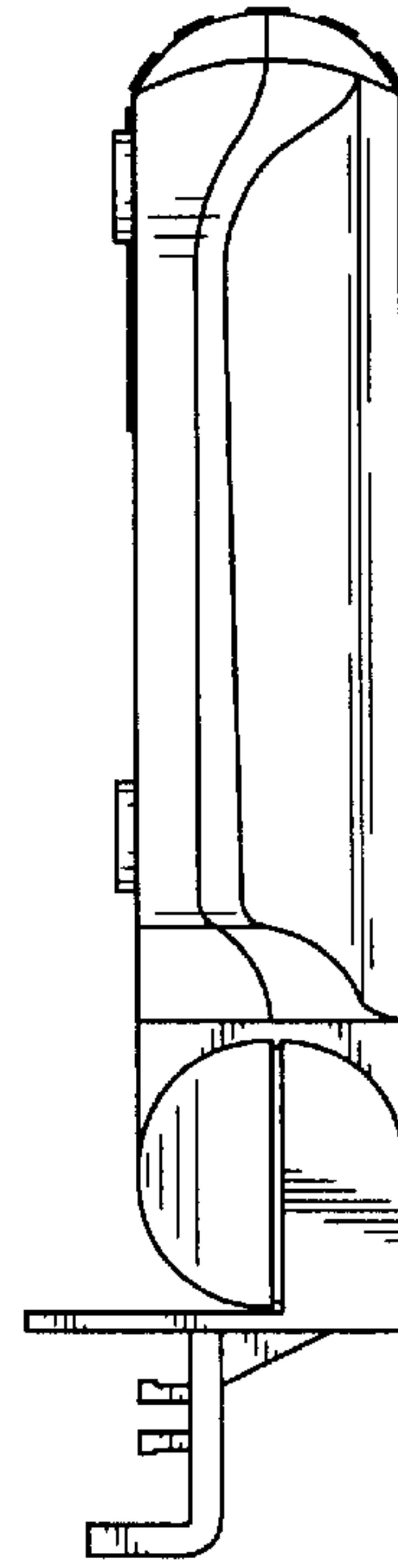


Fig. 5

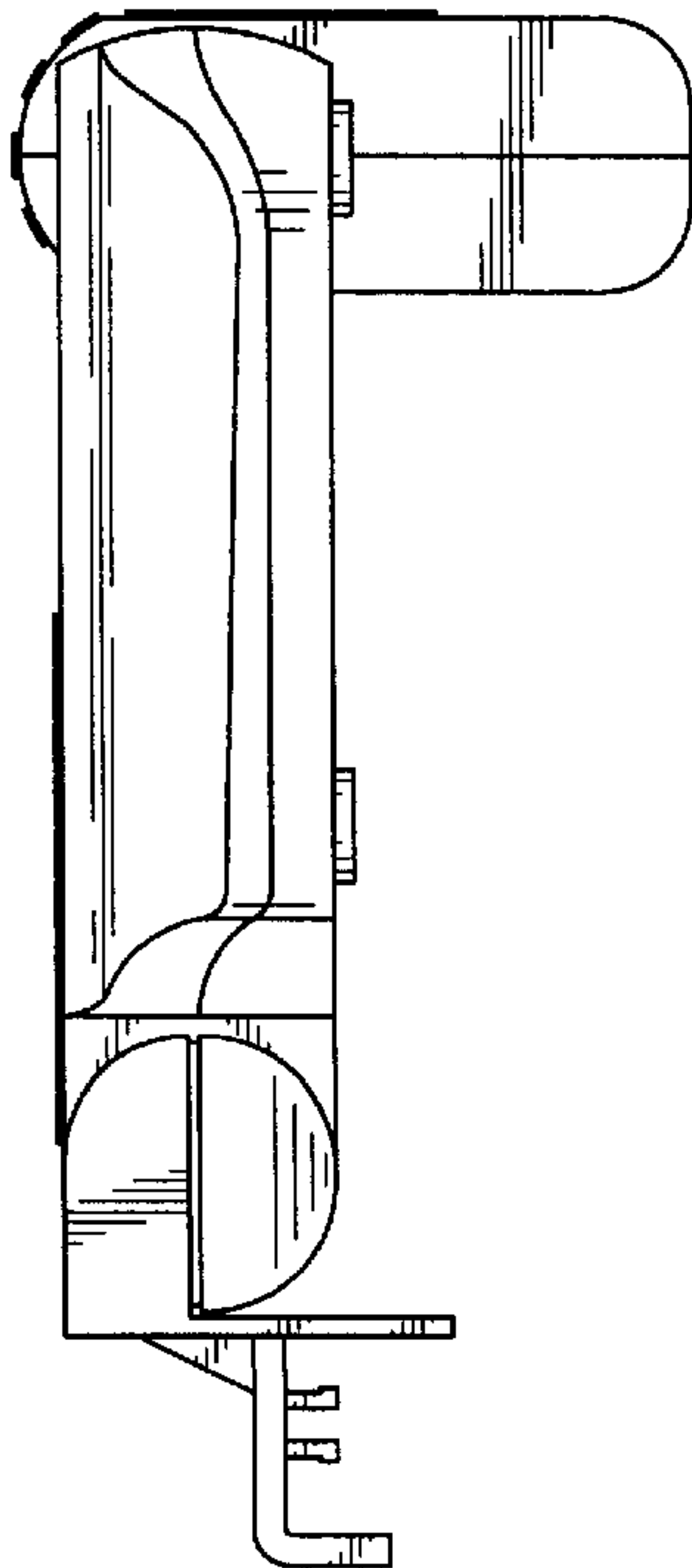


Fig. 6

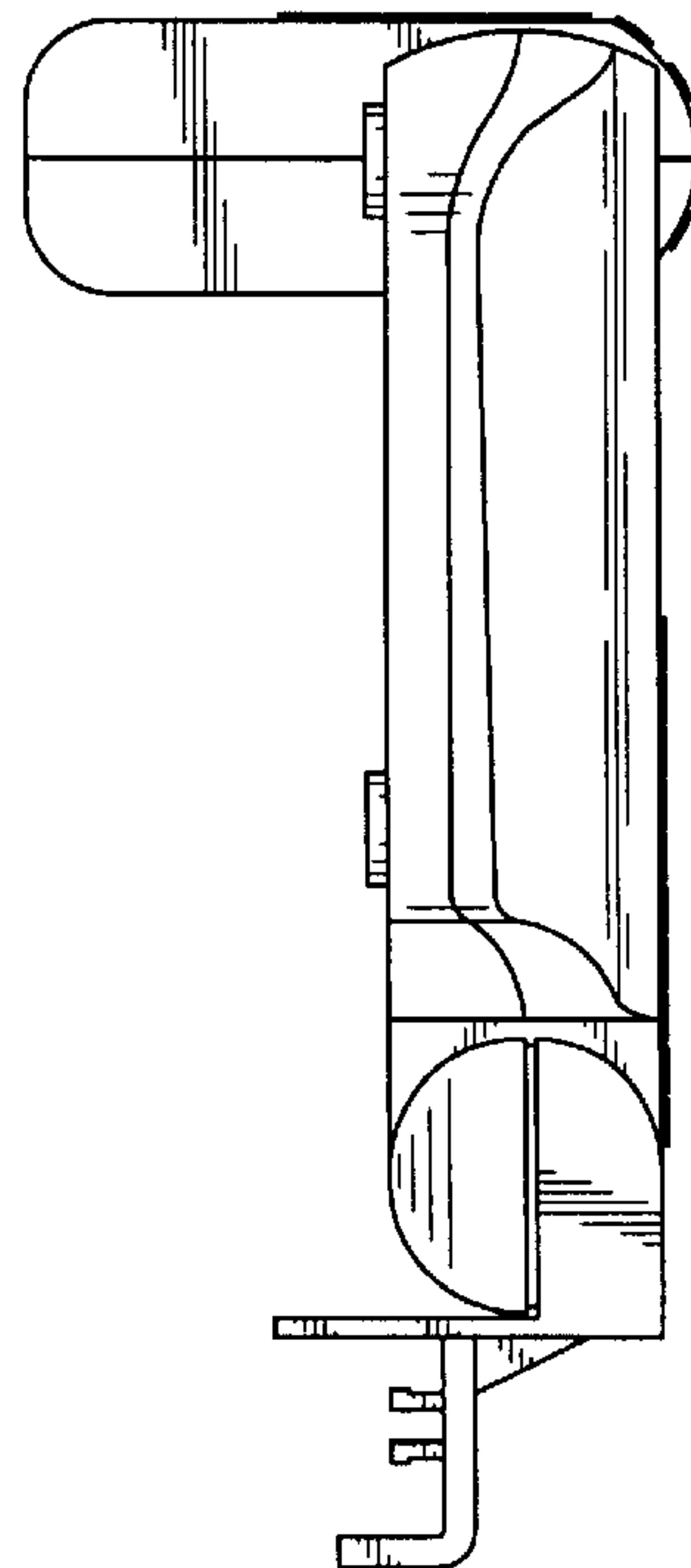


Fig. 7

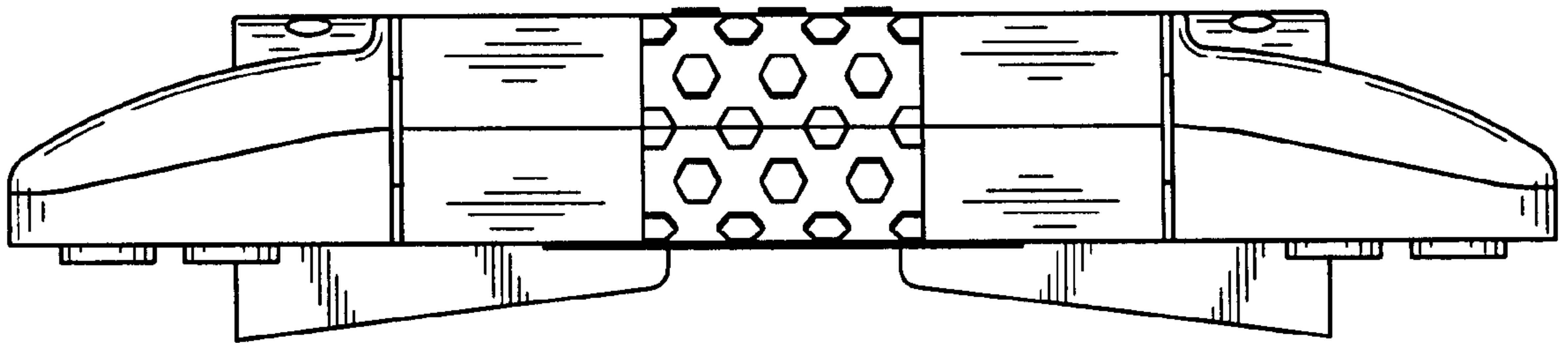


Fig. 8

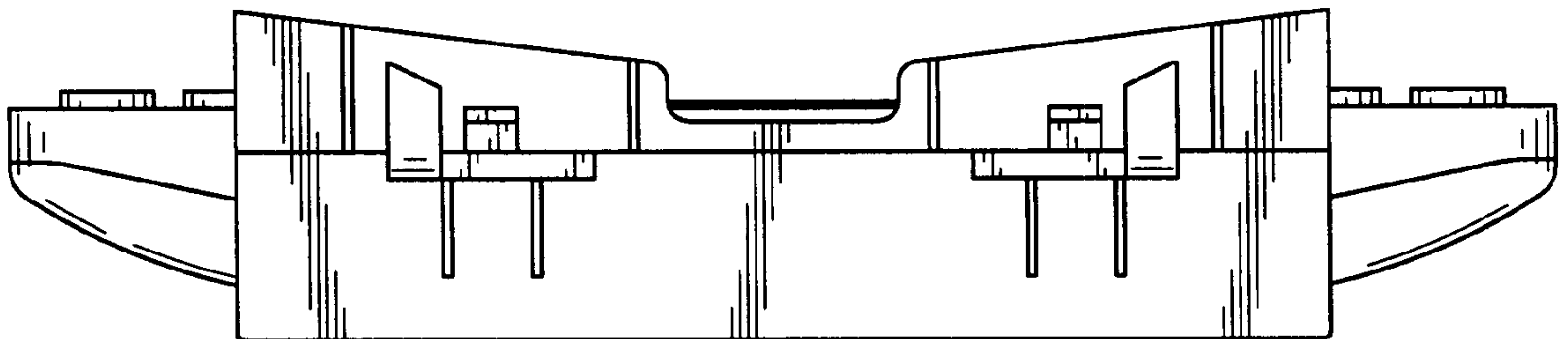


Fig. 9

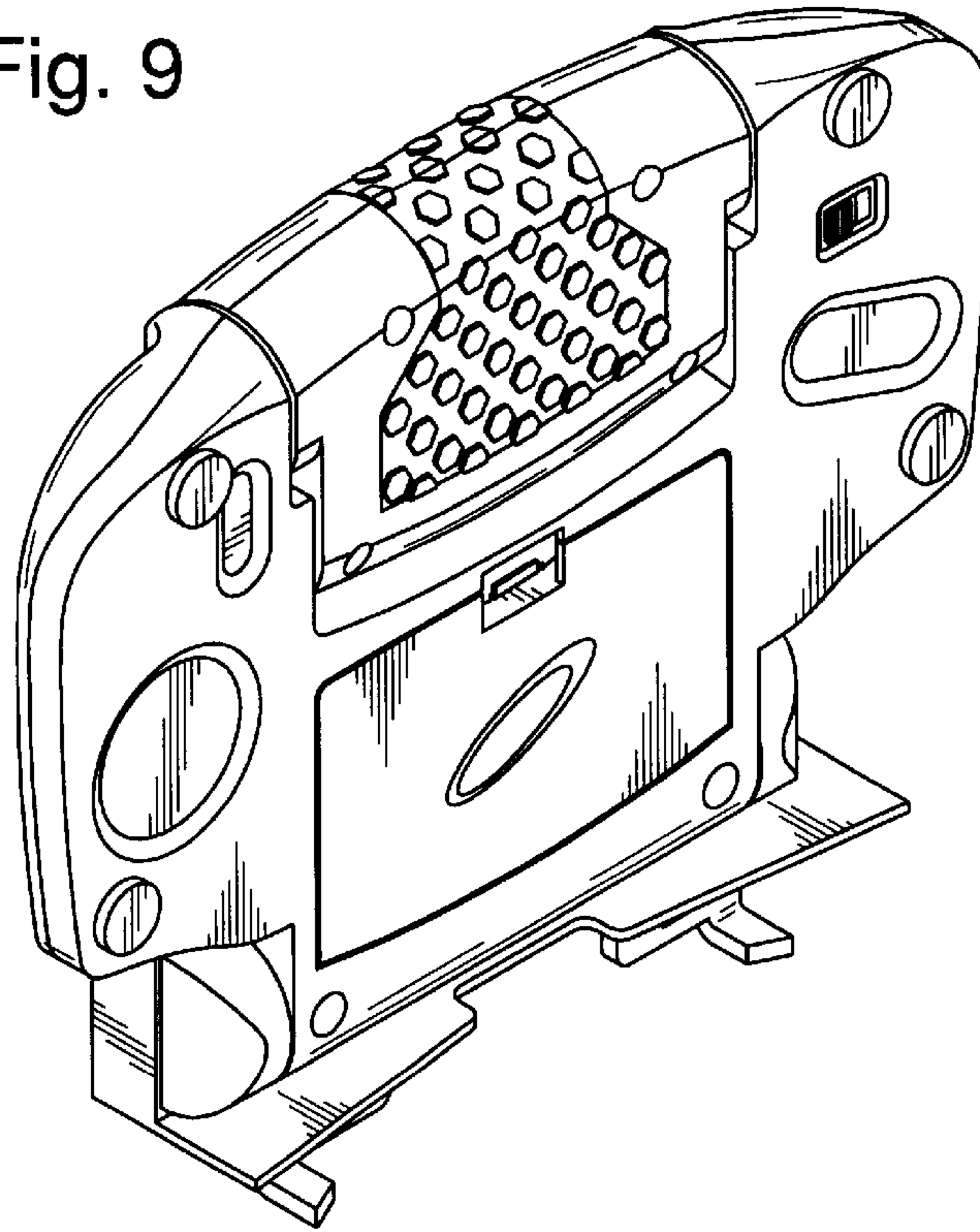


Fig. 10

