



US00D484544S

(12) **United States Design Patent**  
**Healy**

(10) **Patent No.:** **US D484,544 S**

(45) **Date of Patent:** **\*\* Dec. 30, 2003**

(54) **SIGN SUPPORT**

(75) **Inventor:** **Donall B. Healy**, New York, NY (US)

(73) **Assignee:** **Visual Graphic Systems Inc.**, New York, NY (US)

(\*\*) **Term:** **14 Years**

(21) **Appl. No.:** **29/164,524**

(22) **Filed:** **Jul. 25, 2002**

(51) **LOC (7) Cl.** ..... **20-03**

(52) **U.S. Cl.** ..... **D20/43**

(58) **Field of Search** ..... D20/10, 15, 40,  
D20/41, 42, 43, 44, 99; D19/90; 24/67 R,  
67.1, 67.9, 545, 546, 550; 40/658; 248/346.03,  
441.1

(56) **References Cited**

**U.S. PATENT DOCUMENTS**

2,064,127	A	*	12/1936	Schneider	.....	40/606
D128,793	S	*	8/1941	Bonnell	.....	D25/119
4,506,416	A	*	3/1985	Ohminato et al.	.....	24/67 R
D303,811	S	*	10/1989	de Witt	.....	D19/65
5,230,535	A	*	7/1993	Figlenski	.....	248/441.1
D372,499	S	*	8/1996	Carlson et al.	.....	D19/65
D392,686	S	*	3/1998	Sakrisian et al.	.....	D20/41

D435,270	S	*	12/2000	Healy	.....	D20/10
6,298,591	B1	*	10/2001	Healy	.....	40/600
6,308,446	B1	*	10/2001	Healy	.....	40/600
6,450,471	B1	*	9/2002	Wear	.....	248/489

\* cited by examiner

*Primary Examiner*—Robert M. Spear  
(74) *Attorney, Agent, or Firm*—Darby & Darby

(57) **CLAIM**

The ornamental design for a sign support, as shown and described.

**DESCRIPTION**

FIG. 1 is a reduced scale front perspective view of a sign support according to the invention; FIG. 2 is a front elevational view of the sign support; FIG. 3 is a rear elevational view of the sign support; FIG. 4 is a right side elevational view of the sign support, the left side elevational view being a mirror image thereof; FIG. 5 is a top plan view of the sign support; and, FIG. 6 is a bottom plan view of the sign support. The broken lines in the drawings depict environmental structure which forms no part of the claimed design. The sign support is shown with break lines to indicate the support has indeterminate length.

**1 Claim, 3 Drawing Sheets**

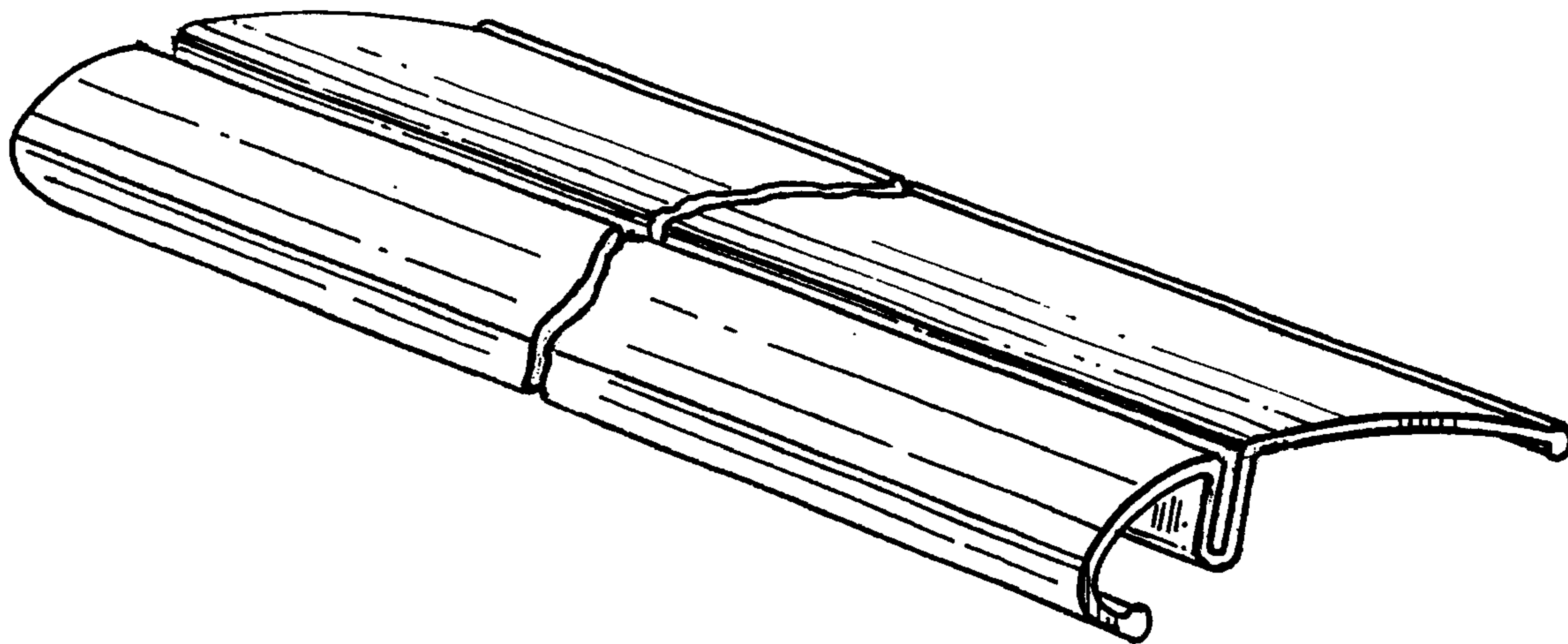


FIG. 1

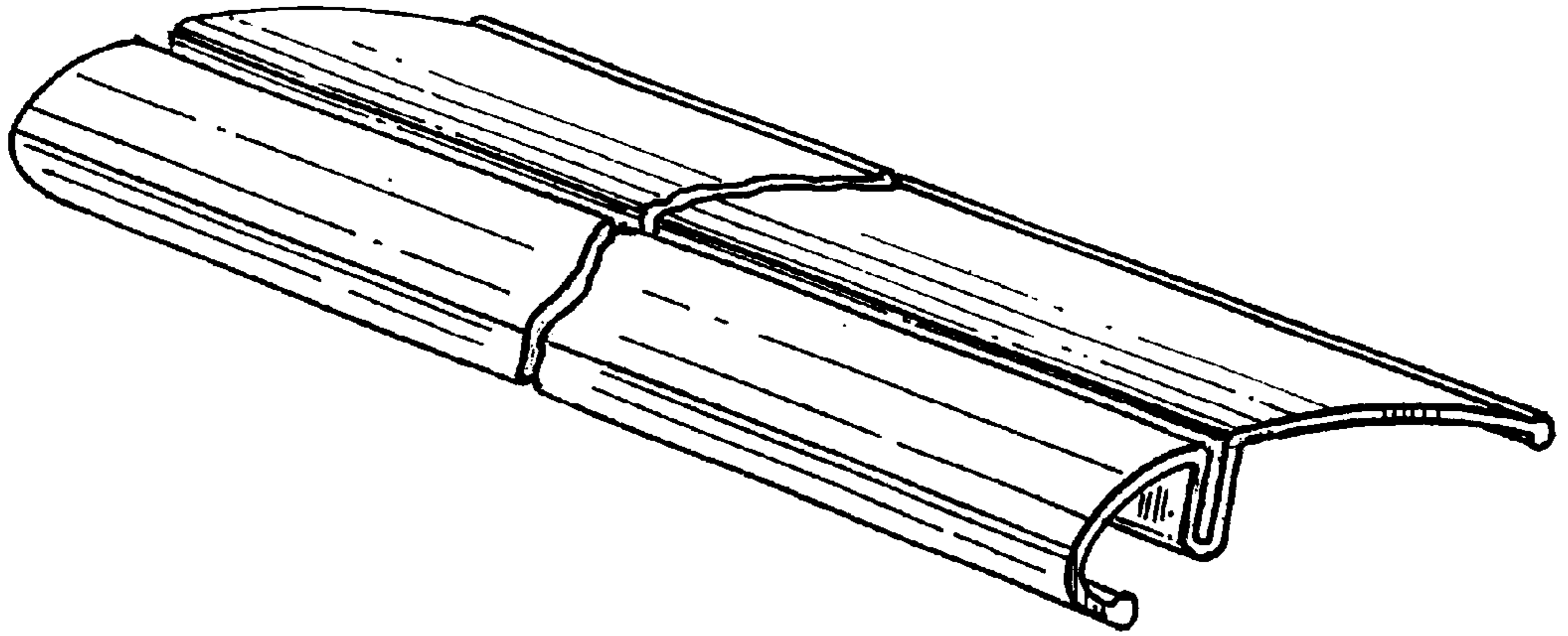
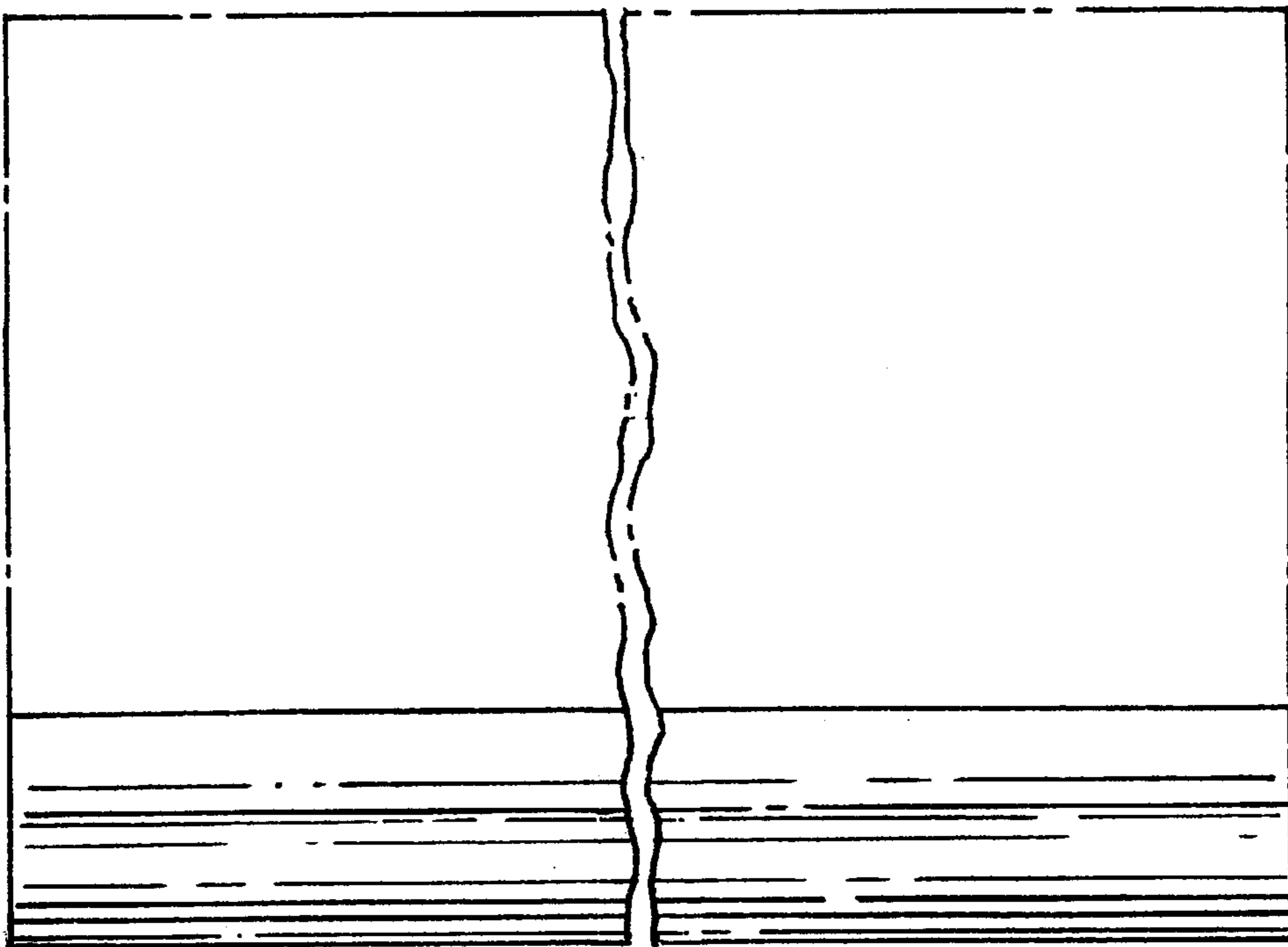
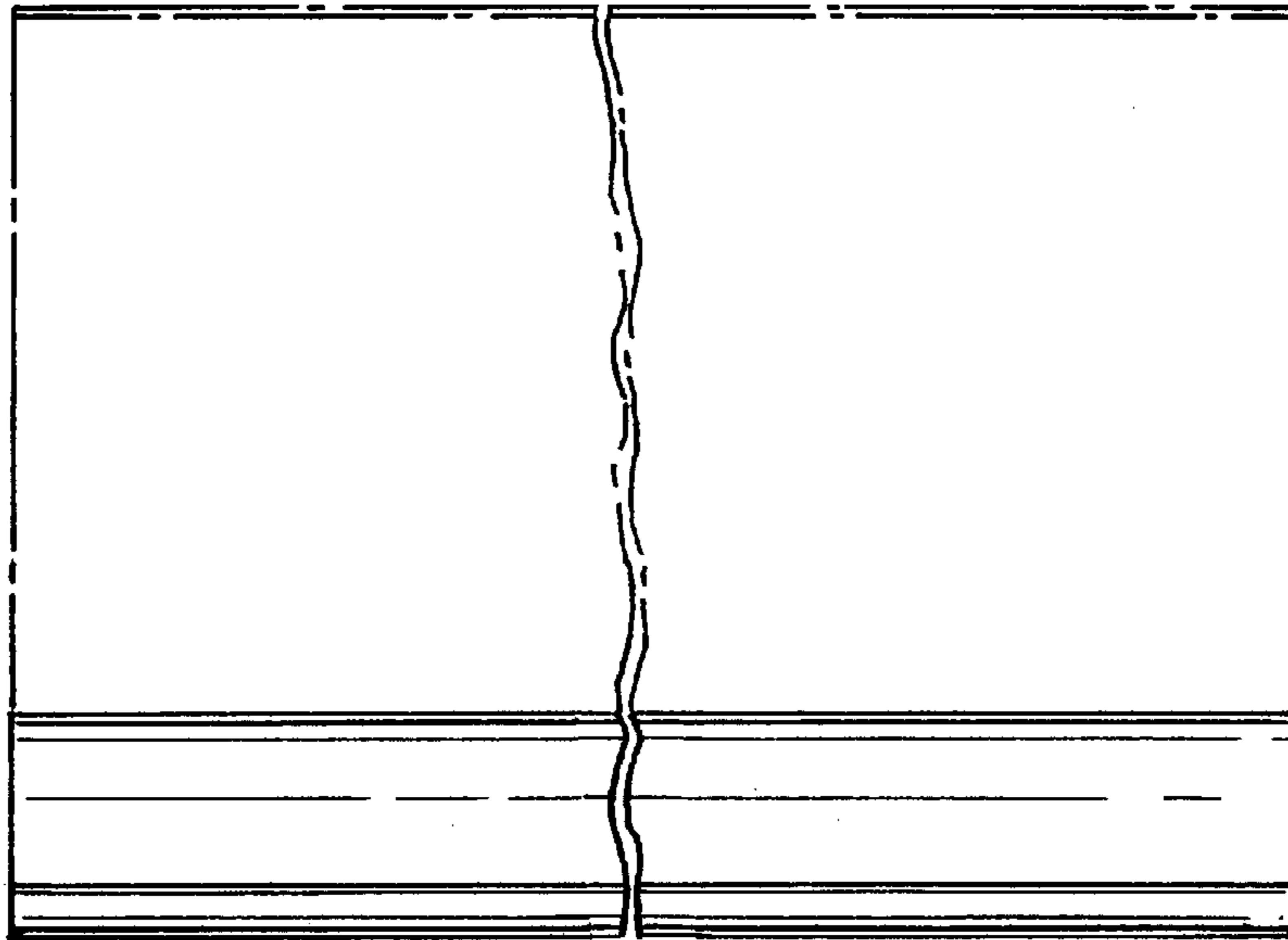


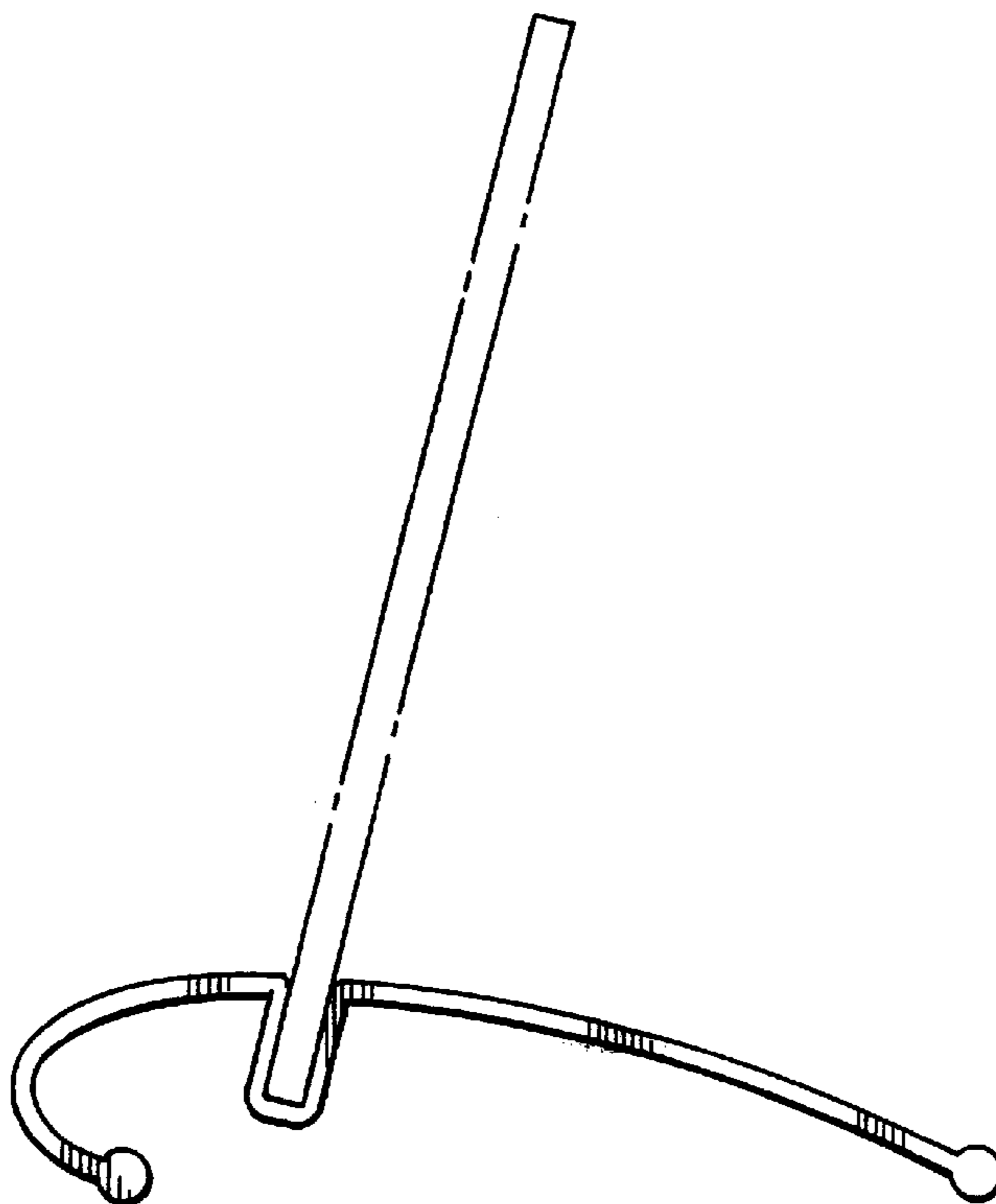
FIG. 2



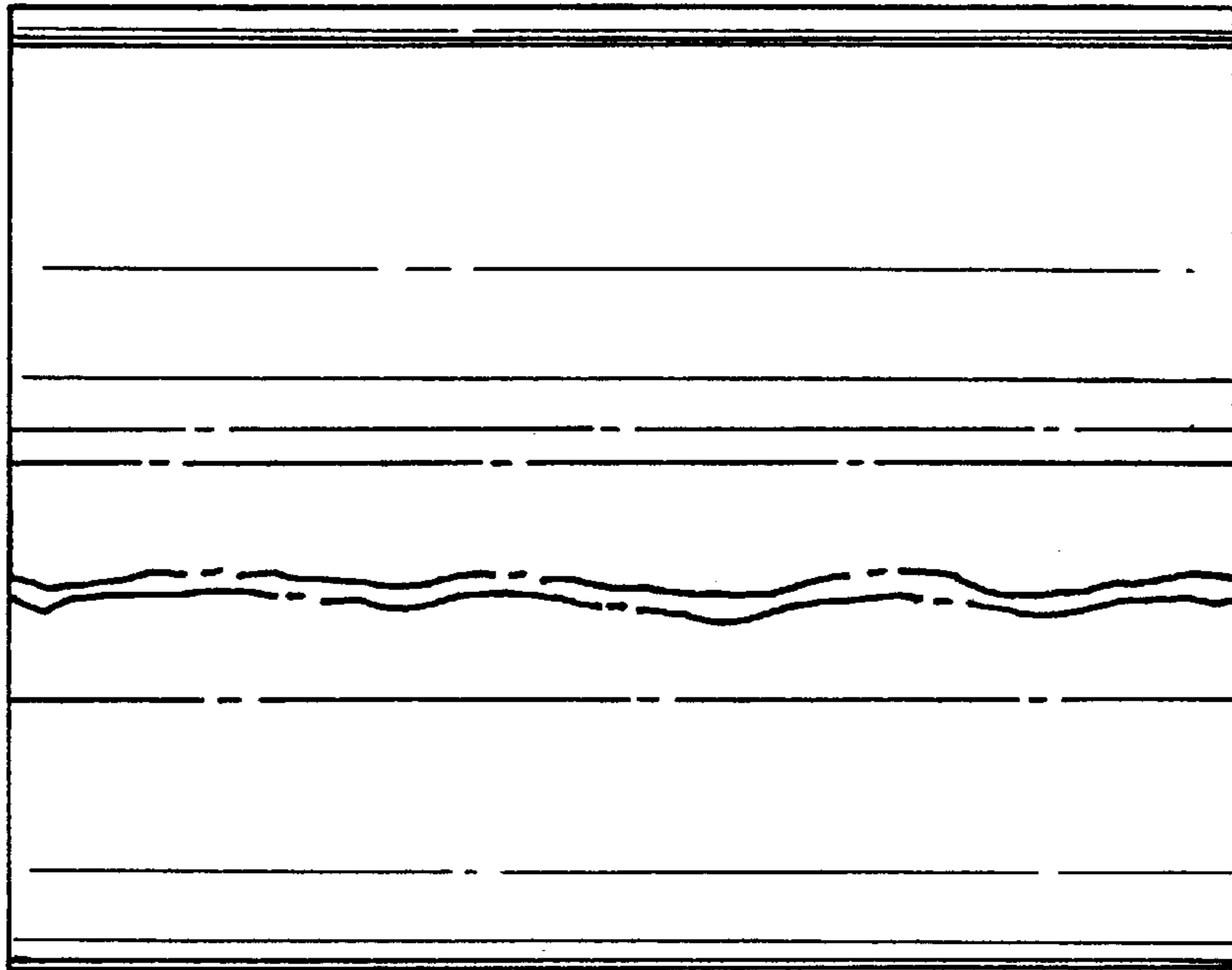
**FIG. 3**



**FIG. 4**



**FIG. 5**



**FIG. 6**

