



US00D484543S

(12) **United States Design Patent**
Lachner, Sr.

(10) **Patent No.:** **US D484,543 S**

(45) **Date of Patent:** **** Dec. 30, 2003**

(54) **BUS STOP SIGN**

D433,457 S * 11/2000 Linton D20/42

(76) Inventor: **Wendell L. Lachner, Sr.**, 2505 Mill Rd., Emmett, ID (US) 83617

* cited by examiner

Primary Examiner—Robert M. Spear

(**) Term: **14 Years**

(57) **CLAIM**

(21) Appl. No.: **29/155,036**

The ornamental design for a bus stop sign, as shown and described.

(22) Filed: **Feb. 5, 2002**

DESCRIPTION

(51) **LOC (7) Cl.** **20-03**

(52) **U.S. Cl.** **D20/35**

(58) **Field of Search** D11/138, 112;
D20/10-13, 17, 29, 35, 40-42, 99; 40/489-491,
575, 591-594, 606-608

FIG. 1 is a front view of a bus stop sign showing my new design.

FIG. 2 is a back edge view of the bus stop sign.

FIG. 3 is a front edge view of the bus stop sign.

FIG. 4 is a top edge view of the bus stop sign.

FIG. 5 is a bottom edge view of the bus stop sign; and,

FIG. 6 is a reduced scale perspective view of the bus stop sign.

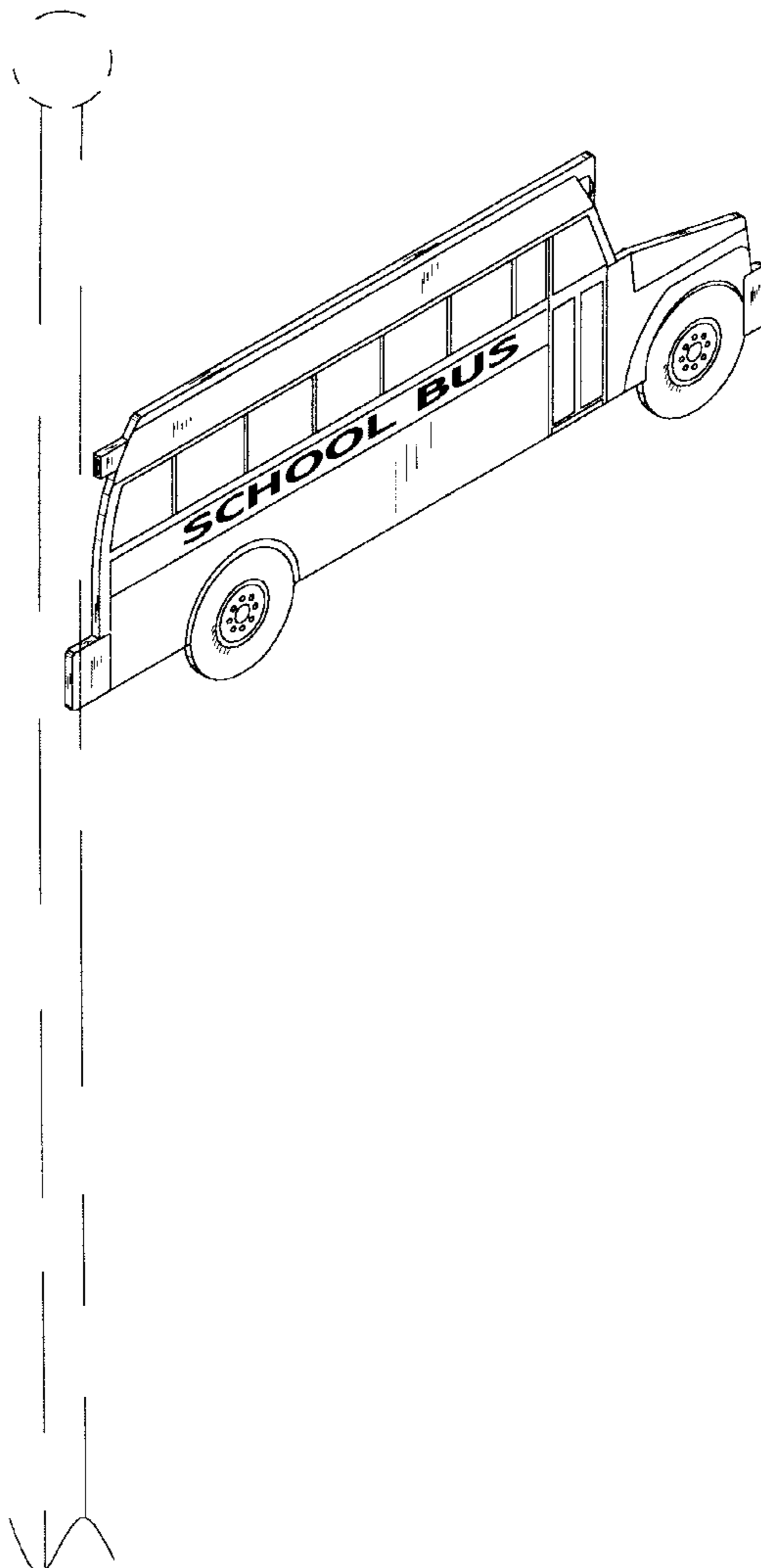
(56) **References Cited**

U.S. PATENT DOCUMENTS

- D310,545 S * 9/1990 Avittan D20/10
- D325,882 S * 5/1992 Powell D10/109
- D419,911 S * 2/2000 Bonde D11/133

The broken lines in the drawings depict environmental structure, which forms no part of the claimed design.

1 Claim, 3 Drawing Sheets



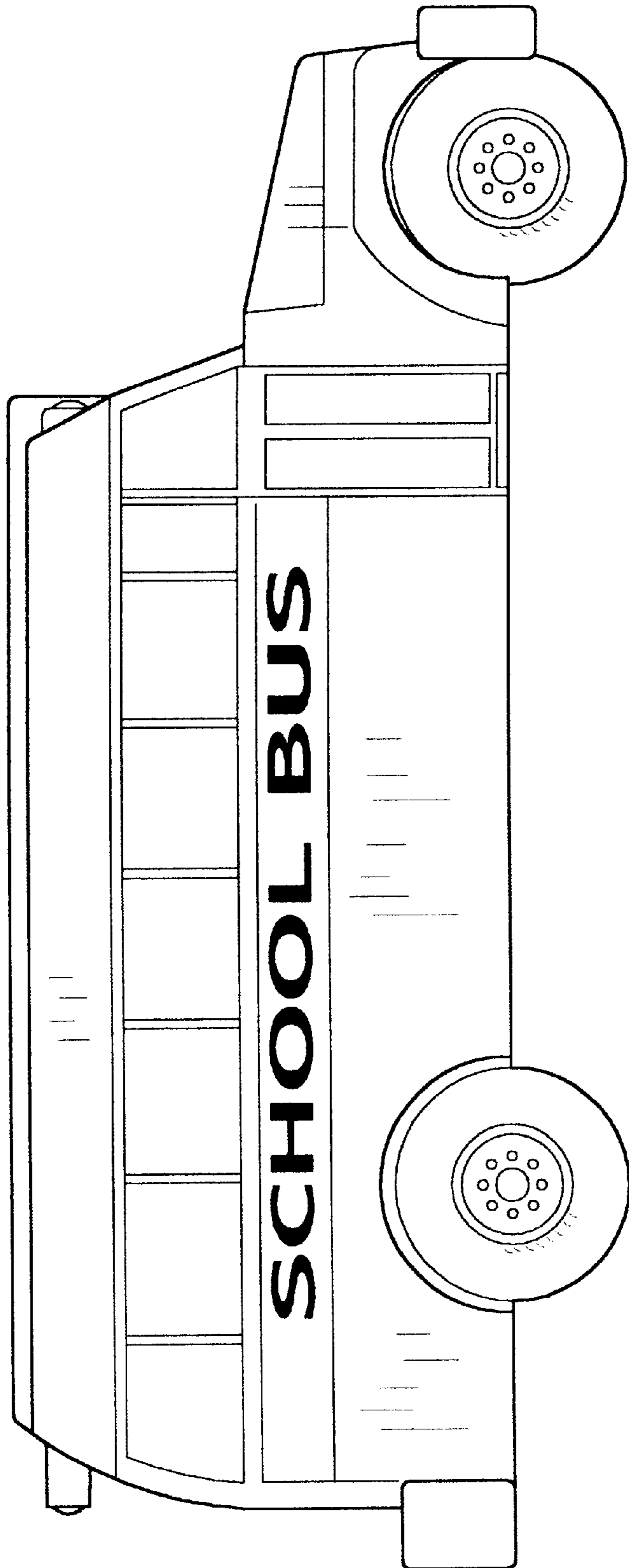


FIG. 1

FIG. 2

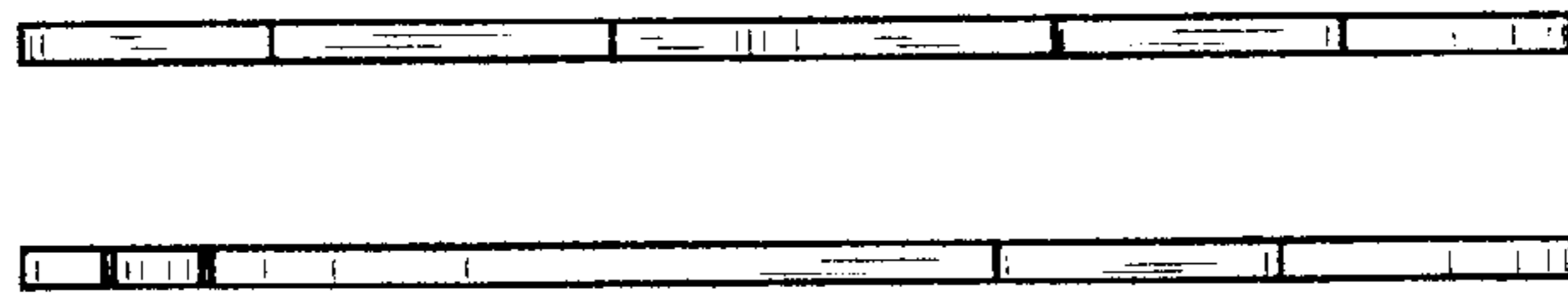


FIG. 4



FIG. 5



FIG. 3

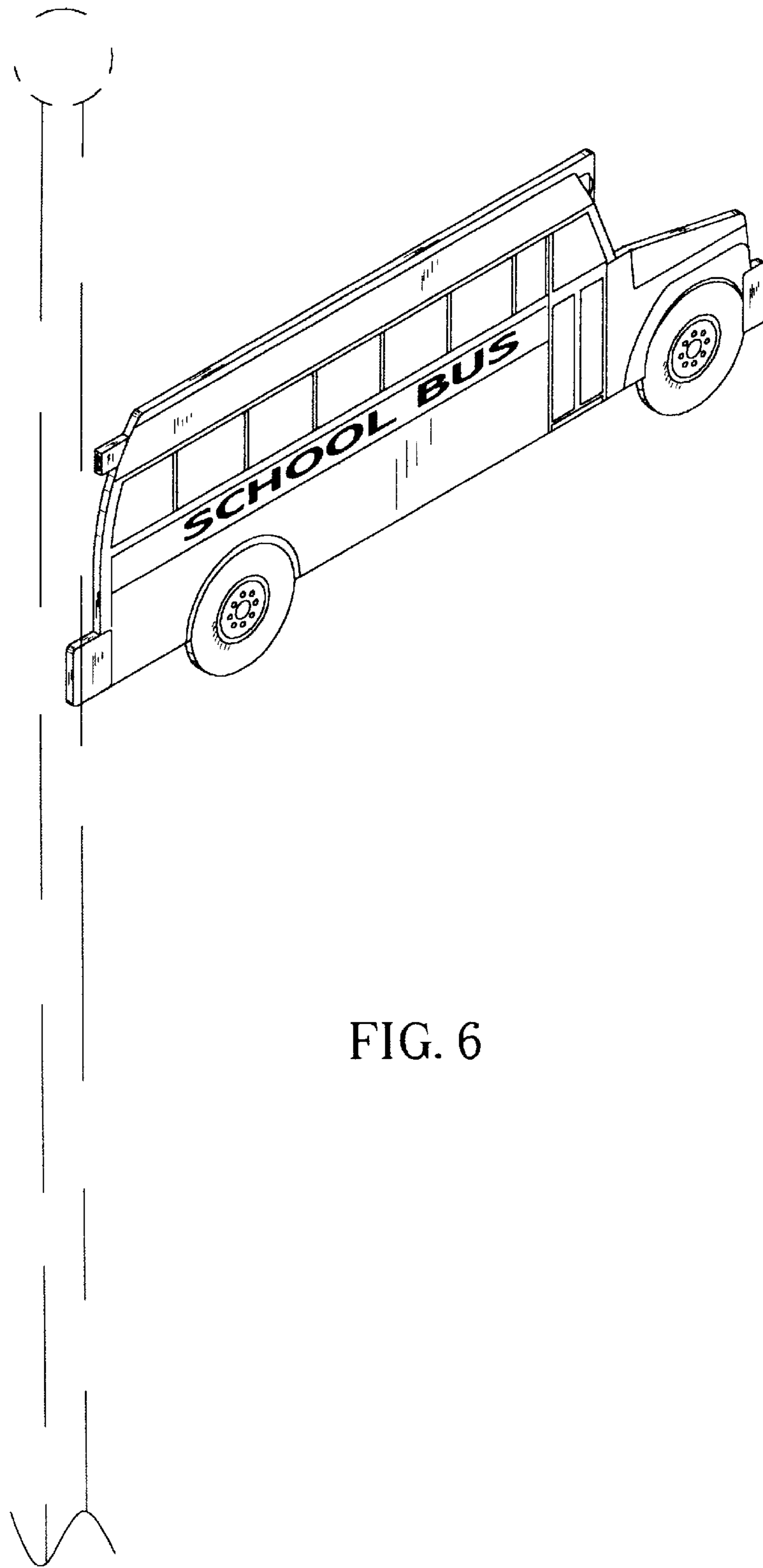


FIG. 6

UNITED STATES PATENT AND TRADEMARK OFFICE
CERTIFICATE OF CORRECTION

PATENT NO. : Des. 484,543 S
DATED : December 30, 2003
INVENTOR(S) : Wendell L. Lackner, Sr.

Page 1 of 1

It is certified that error appears in the above-identified patent and that said Letters Patent is hereby corrected as shown below:

Title page.

Item [76], Inventor, the inventor's name should be -- **Wendell L. Lackner, Sr.** --

Signed and Sealed this

Third Day of August, 2004

A handwritten signature in black ink on a dotted background. The signature reads "Jon W. Dudas" in a cursive style.

JON W. DUDAS

Acting Director of the United States Patent and Trademark Office