



US00D484542S

(12) **United States Design Patent**
Hassell

(10) **Patent No.:** **US D484,542 S**

(45) **Date of Patent:** **** Dec. 30, 2003**

(54) **PAPERCLIP DISPENSER**

(76) **Inventor:** **Donald S. Hassell**, 37 Westdale Rd.,
Holbrook, MA (US) 02343

(**) **Term:** **14 Years**

(21) **Appl. No.:** **29/166,537**

(22) **Filed:** **Aug. 30, 2002**

(51) **LOC (7) Cl.** **19-02**

(52) **U.S. Cl.** **D19/75; D9/418; D9/423**

(58) **Field of Search** **D9/418, 423; D3/18,**
D3/20; D19/65, 75, 77, 86, 88, 95, 99,
100; D6/515, 518; 229/162.1; 206/769,
223, 338, 340, 350, 380, 818, 0.81; 221/208,
212, 303, 309, 312

(56) **References Cited**

U.S. PATENT DOCUMENTS

2,735,541	A	*	2/1956	Mosleo	206/0.81
4,047,637	A		9/1977	Grunstad et al.	221/265
4,084,864	A		4/1978	Kibler	312/42
D269,856	S	*	7/1983	Kuta	D9/418
D280,704	S	*	9/1985	Dalton	D9/337
D289,662	S	*	5/1987	Wolff	D19/75
D291,024	S	*	7/1987	Kikuchi	D6/634

D303,397	S		9/1989	Heng	D19/75
D308,892	S	*	6/1990	Dahle	D19/75
D318,419	S	*	7/1991	Jensen et al.	D9/341
D329,464	S		9/1992	Hu	D19/75
D343,356	S	*	1/1994	Wittman	D9/415
D354,520	S	*	1/1995	Pong	D19/88
D375,620	S	*	11/1996	Chan	D3/20
D432,170	S	*	10/2000	Chan	D19/75

* cited by examiner

Primary Examiner—Martie K. Holtje

(74) *Attorney, Agent, or Firm*—D. Michael Burns

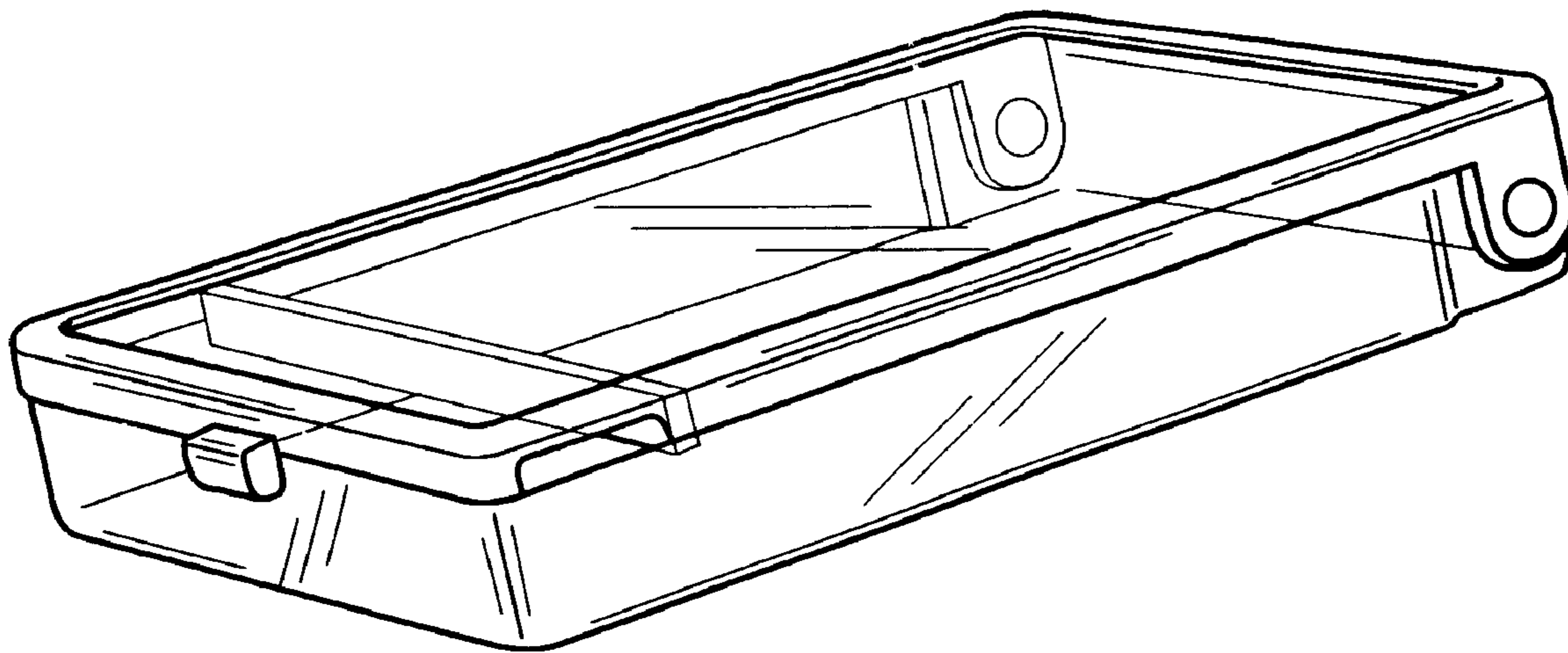
(57) **CLAIM**

The ornamental design for a paperclip dispenser, as shown and described.

DESCRIPTION

FIG. 1 is a perspective view of the paperclip dispenser showing my new design;
FIG. 2 is a right side elevational view thereof;
FIG. 3 is a left side elevational view thereof;
FIG. 4 is a front elevational view thereof;
FIG. 5 is a rear elevational view thereof;
FIG. 6 is a top view thereof; and,
FIG. 7 is a bottom view thereof.

1 Claim, 2 Drawing Sheets



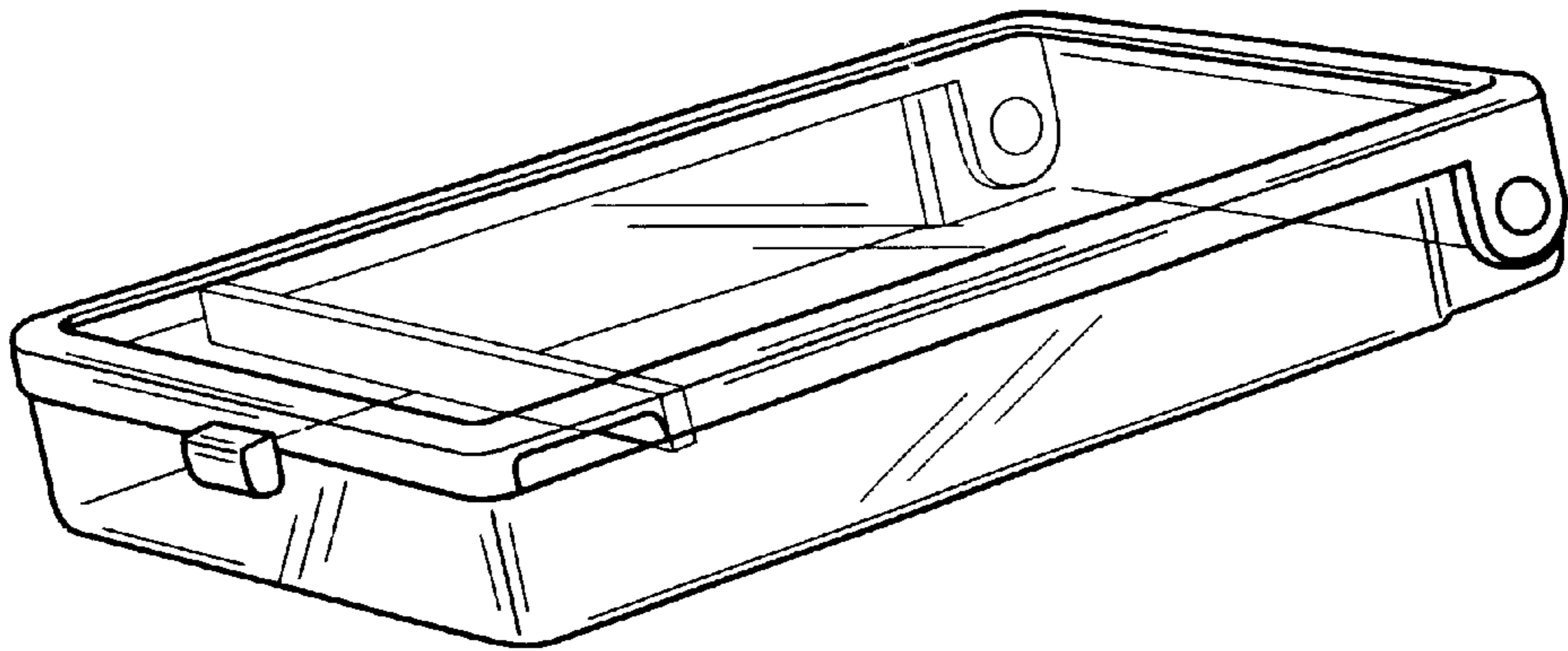


FIG. 1

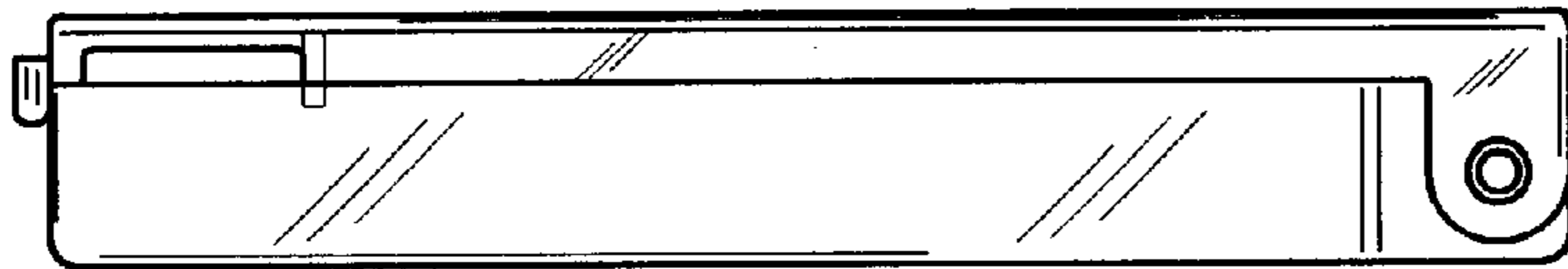


FIG. 2

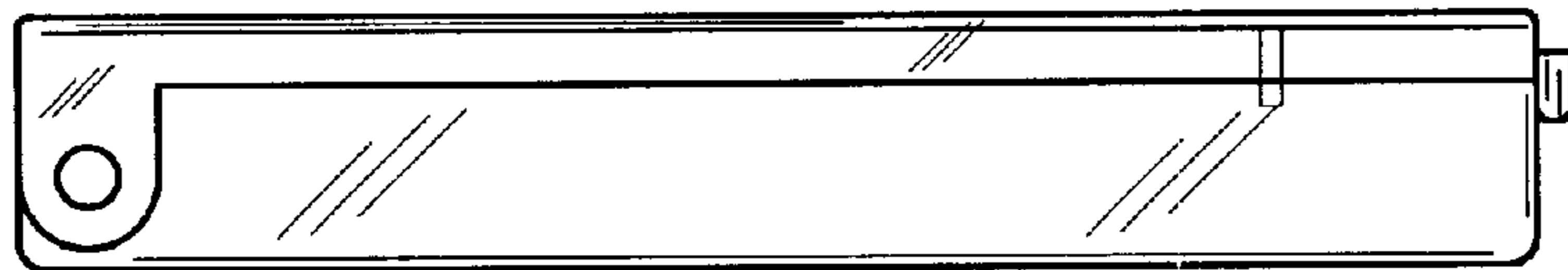


FIG. 3

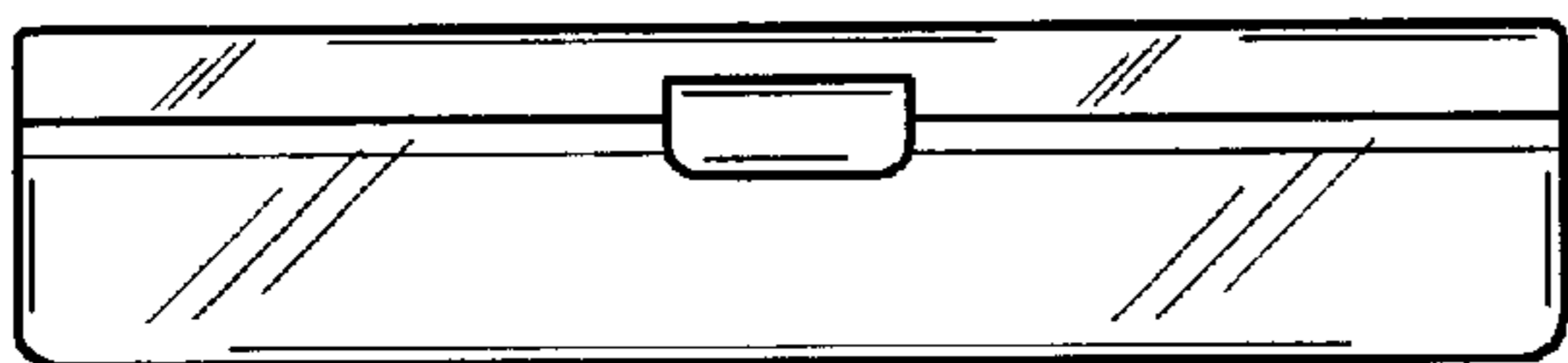


FIG. 4

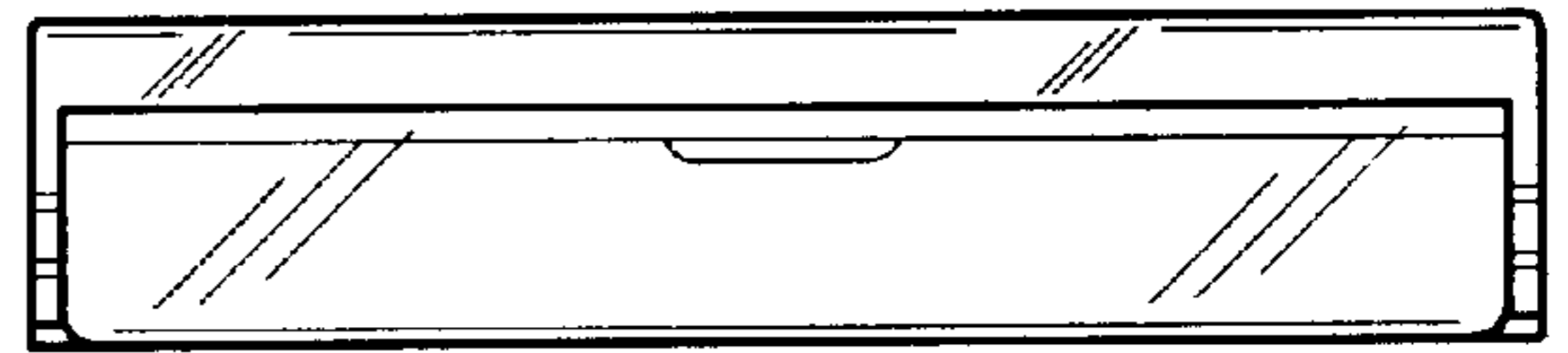


FIG. 5

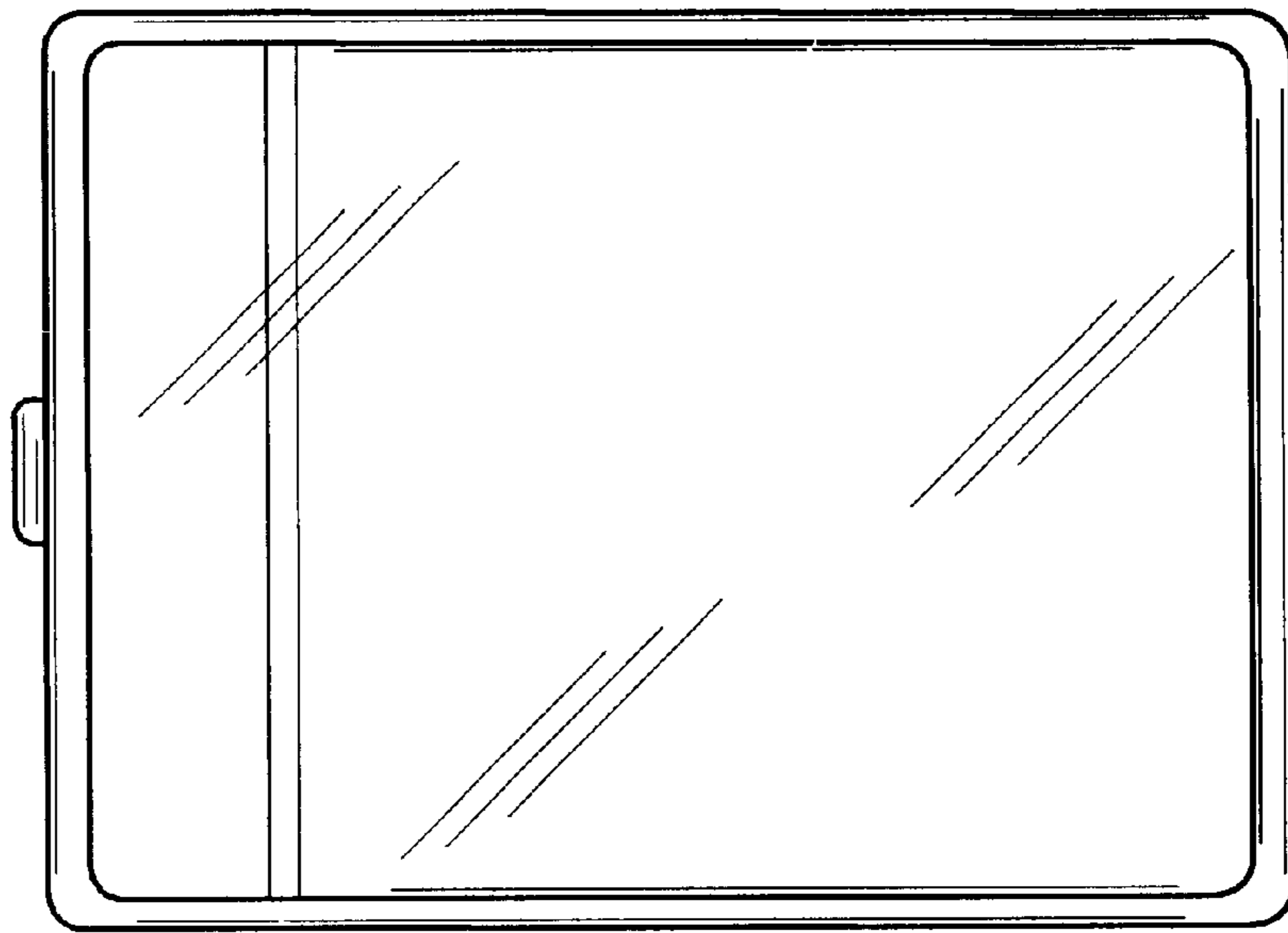


FIG. 6

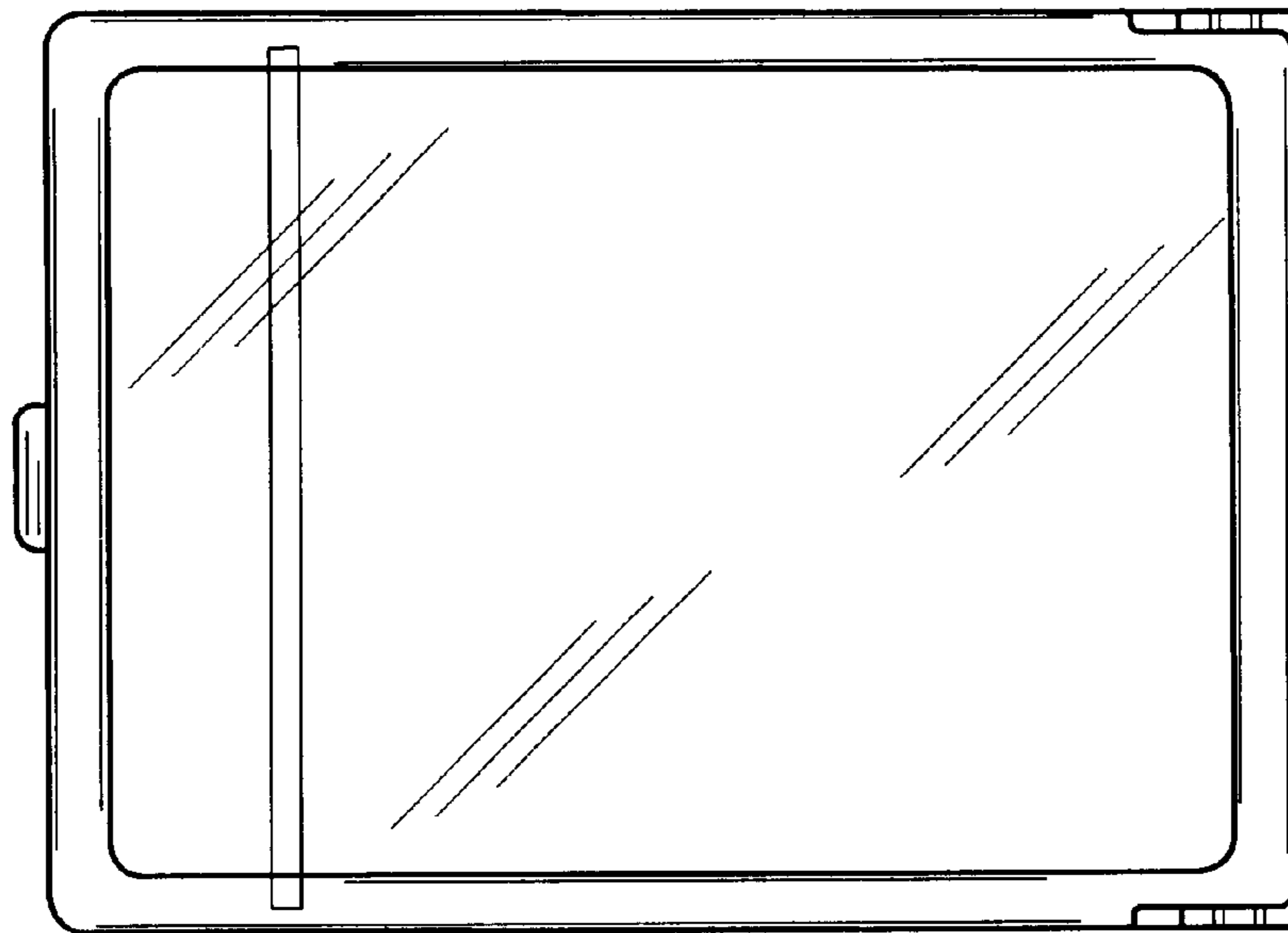


FIG. 7