



US00D484534S

(12) **United States Design Patent**
Mueller et al.

(10) **Patent No.:** **US D484,534 S**

(45) **Date of Patent:** **** Dec. 30, 2003**

(54) **COVER FOR A BINDER, FOLDER OR NOTEBOOK**

D397,870 S * 9/1998 Winter D3/294
D463,487 S * 9/2002 Savoy D19/27

(75) Inventors: **Daniel E. Mueller**, Kettering, OH (US); **Drew Cronenwett**, Dayton, OH (US)

OTHER PUBLICATIONS

Letraset Product Update, c1983, see p. 208, circled concentric circle motifs, lower half of page.*
Hornung: Background Patterns, Textures and Tints, c1976 (no page numbers).*
Graphic Products Corporation Catalog #7, c1981, see Nos. 7074 and 7075, circled.*

(73) Assignee: **MeadWestvaco Corporation**, Stamford, CT (US)

(**) Term: **14 Years**

* cited by examiner

(21) Appl. No.: **29/180,341**

Primary Examiner—Martie K. Holtje

(22) Filed: **Apr. 22, 2003**

(74) *Attorney, Agent, or Firm*—Thompson Hine LLP

(51) **LOC (7) Cl.** **19-04**

(57) **CLAIM**

(52) **U.S. Cl.** **D19/27; D19/26; D3/303**

The ornamental design for a cover for a binder, folder or notebook, as shown and described.

(58) **Field of Search** D3/247, 252, 301, D3/303, 900, 276, 294; D19/26, 27, 28, 32, 33; 281/15.1, 3.1, 1, 4, 19.1, 19.2, 21.1, 27.1–27.3, 28, 29, 30, 31, 32, 35, 38, 44, 51; 402/31–36, 69, 73, 74, 75–79, 80 R, 80 P, 500–503

DESCRIPTION

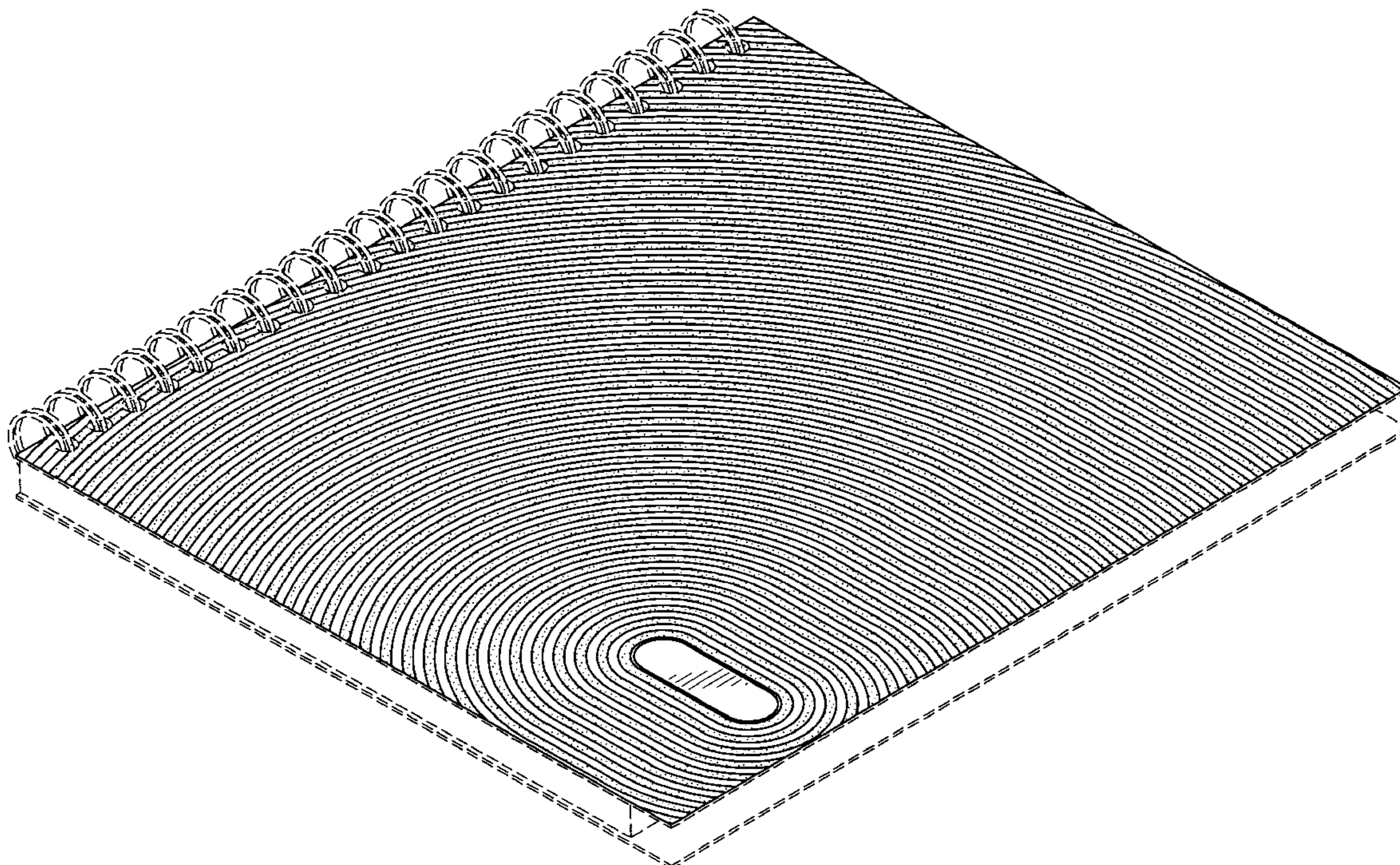
FIG. 1 is a front perspective view of a cover for a binder, folder or notebook showing our new design;
FIG. 2 is a front view thereof;
FIG. 3 is a bottom end view thereof, the top end view being a mirror image thereof;
FIG. 4 is a rear view thereof;
FIG. 5 is a left end view thereof;
FIG. 6 is a right end view thereof;
FIG. 7 is a second embodiment of our design of FIG. 1;
FIG. 8 is a third embodiment of our design of FIG. 1; and
FIG. 9 is a fourth embodiment of our design of FIG. 1.
The broken lines are for illustrative purposes only and do not constitute any part of the claimed design.

(56) **References Cited**

U.S. PATENT DOCUMENTS

D28,170 S * 1/1898 Mehl, Jr. D19/26 X
D91,646 S * 3/1934 Buxton 281/31 X
D115,062 S * 5/1939 Brehm D19/26
D203,898 S * 2/1966 Epstein D19/26
D347,022 S * 5/1994 Schattner D19/27
D353,713 S * 12/1994 Kumashiro D3/276
D358,840 S * 5/1995 Baptista D19/26
D386,522 S * 11/1997 Osch D19/26
D393,368 S * 4/1998 Wyant D3/303

1 Claim, 7 Drawing Sheets



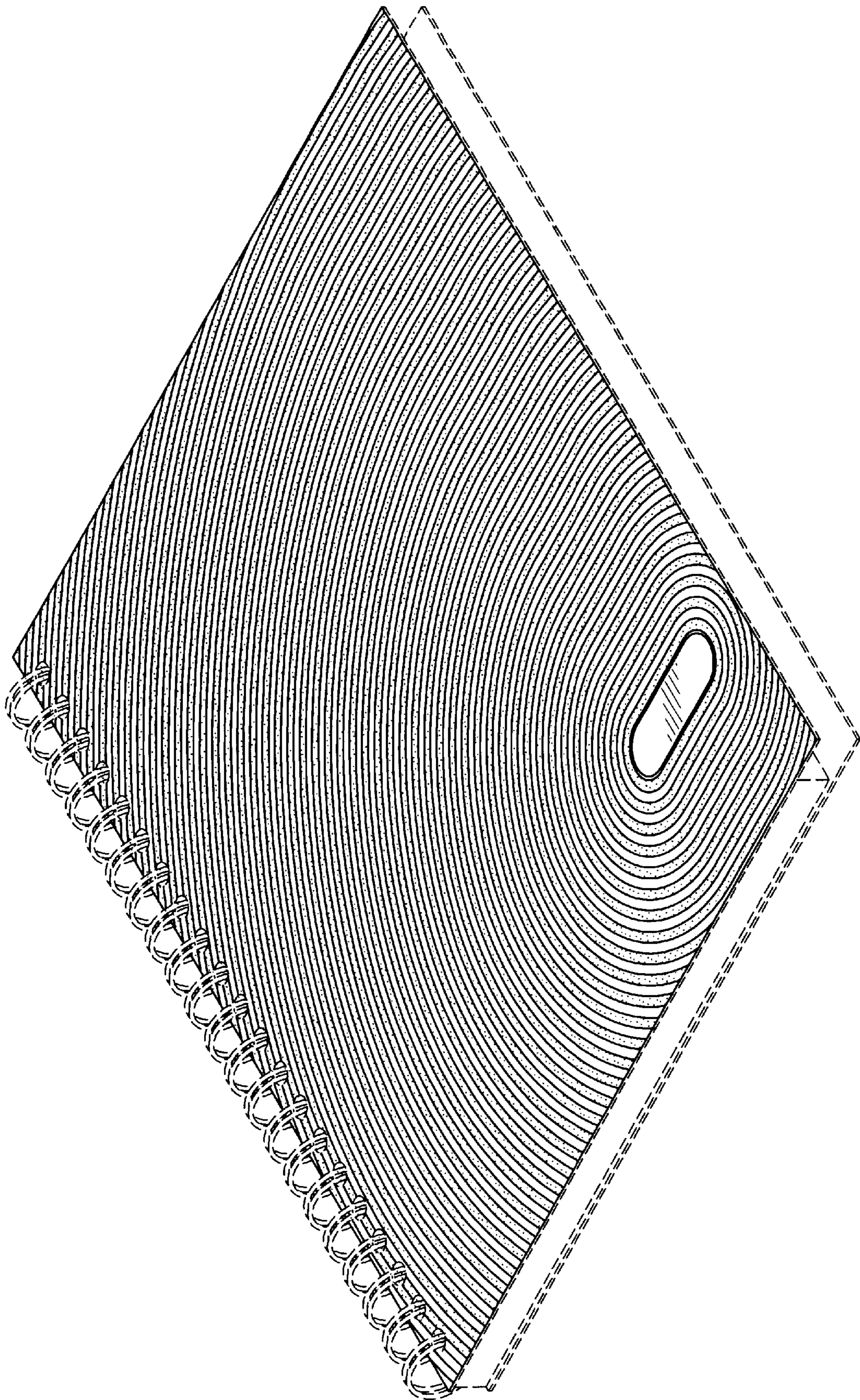


FIG. 1

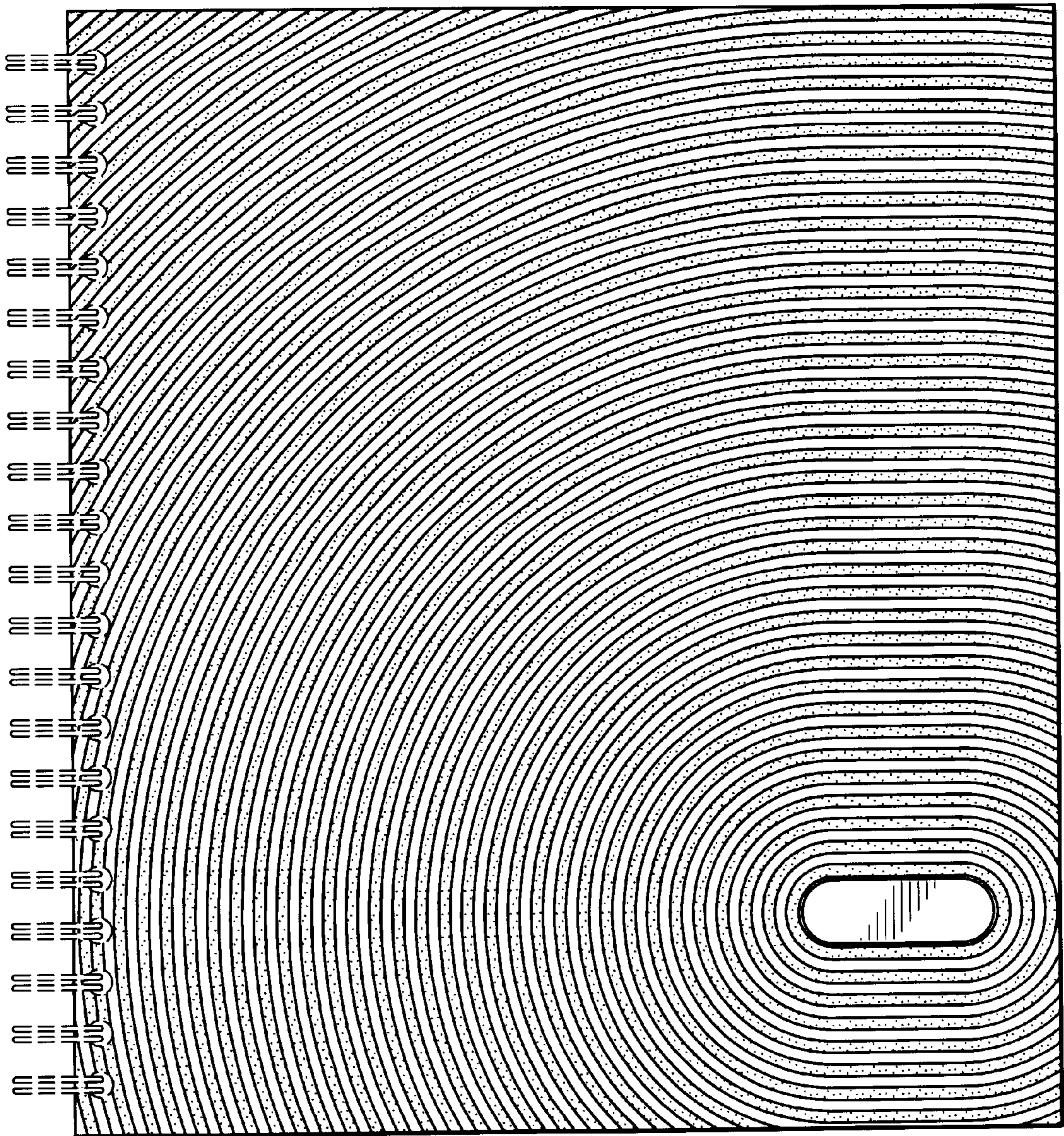


FIG. 2

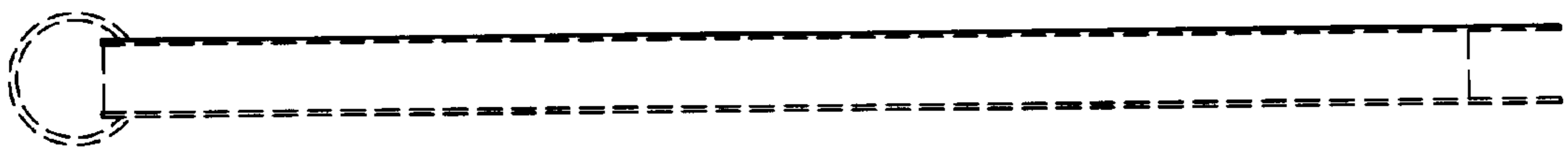


FIG. 3

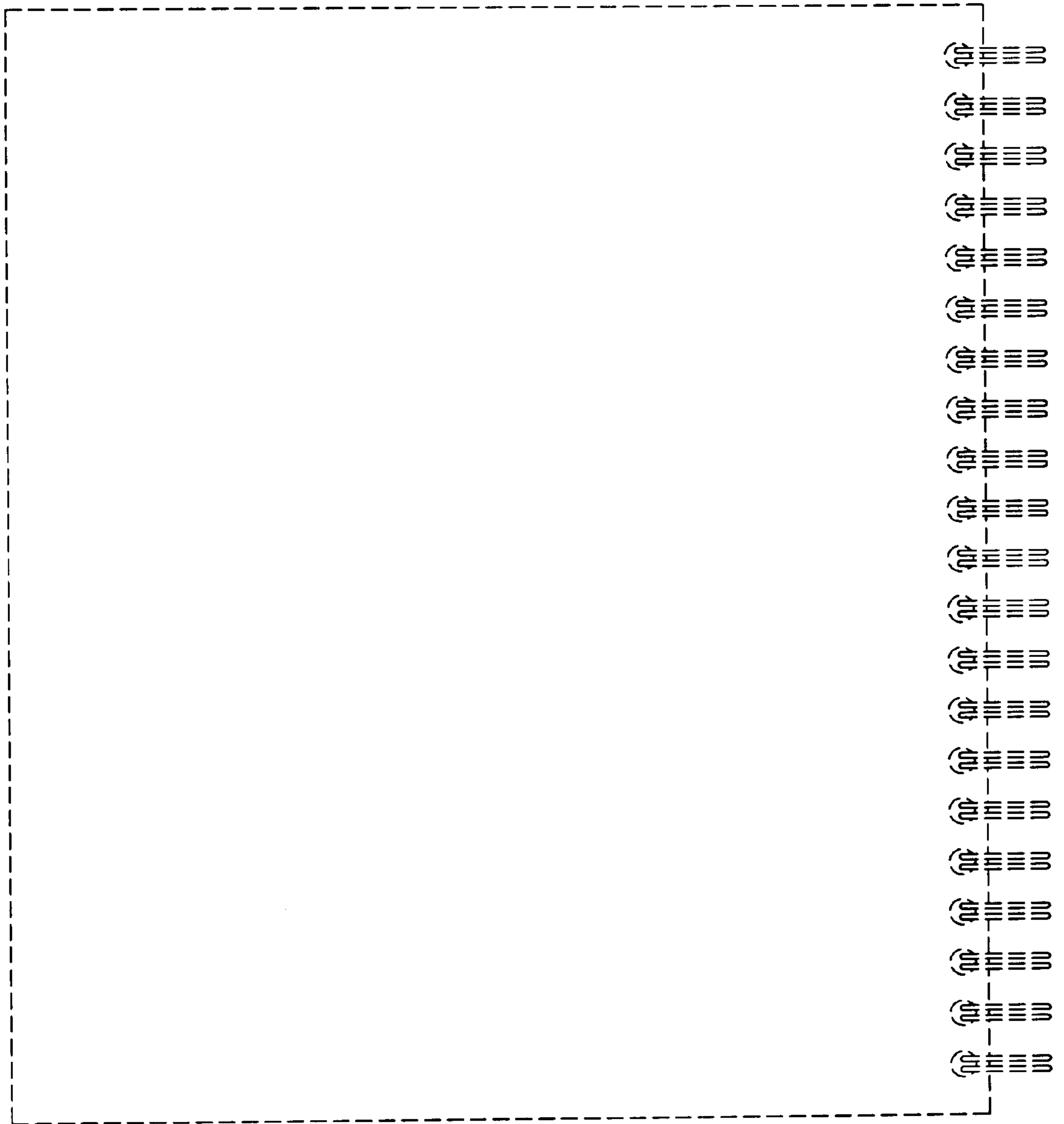


FIG. 4

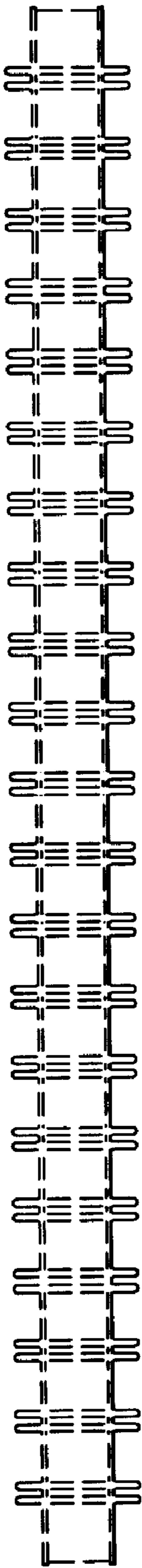


FIG. 5

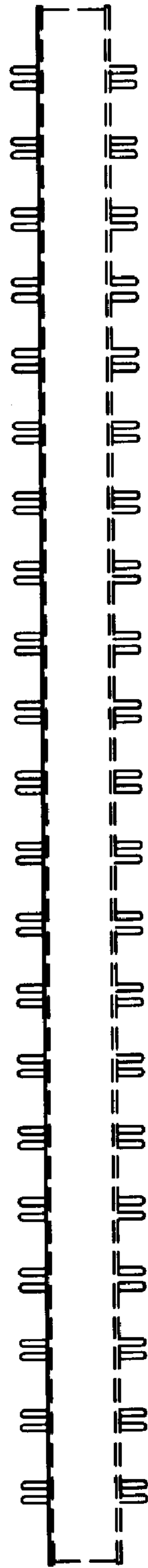


FIG. 6

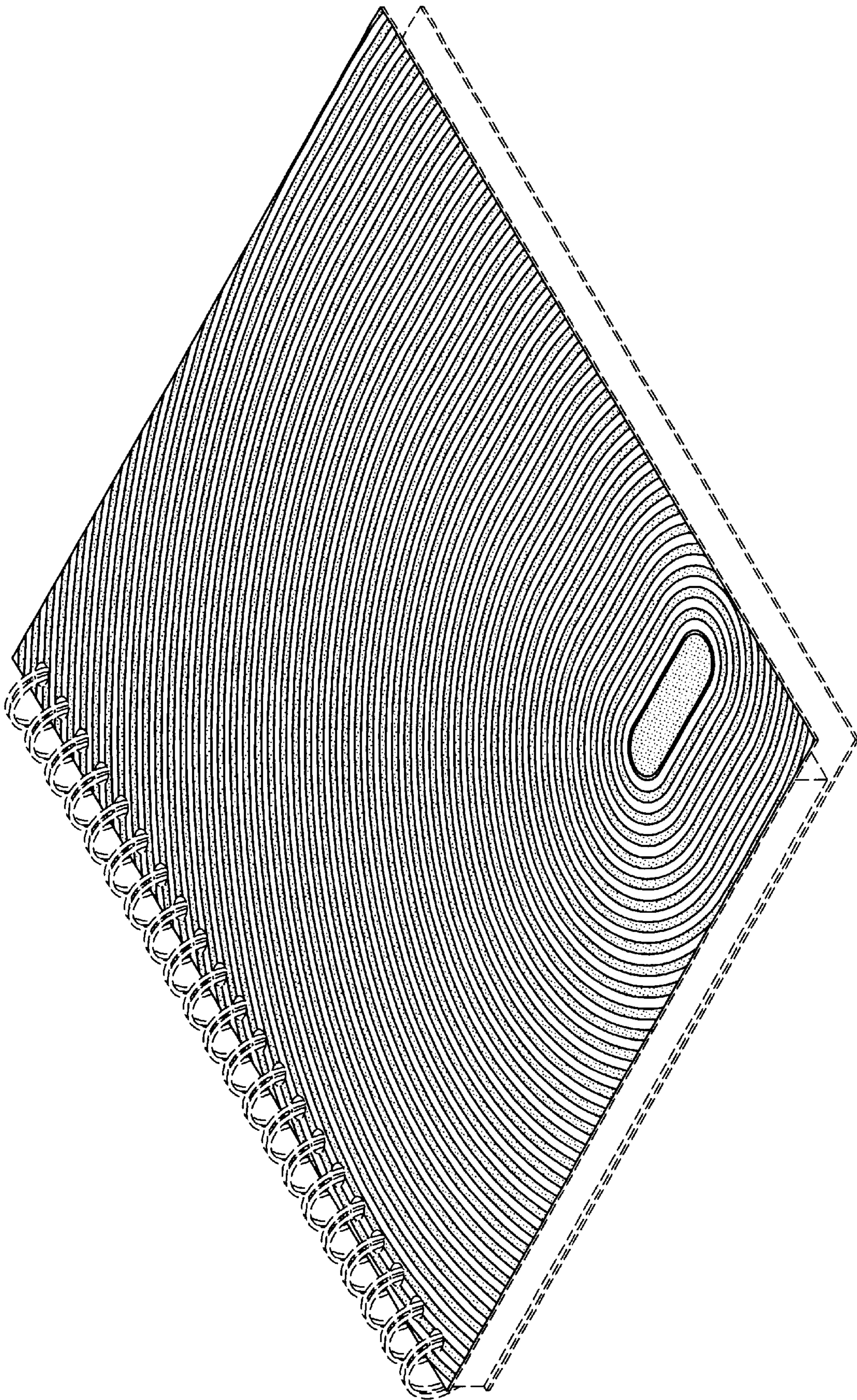


FIG. 7

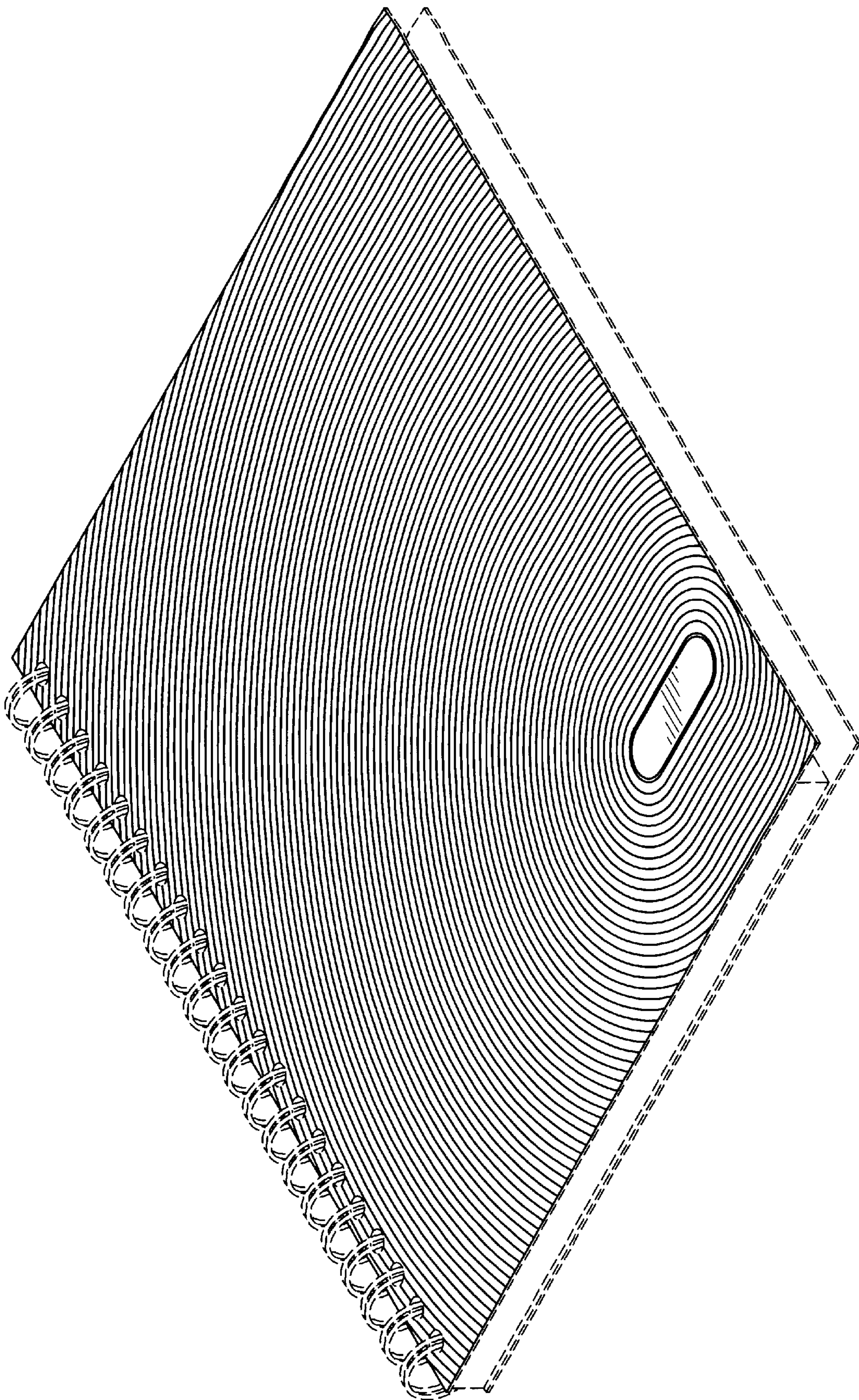


FIG. 8

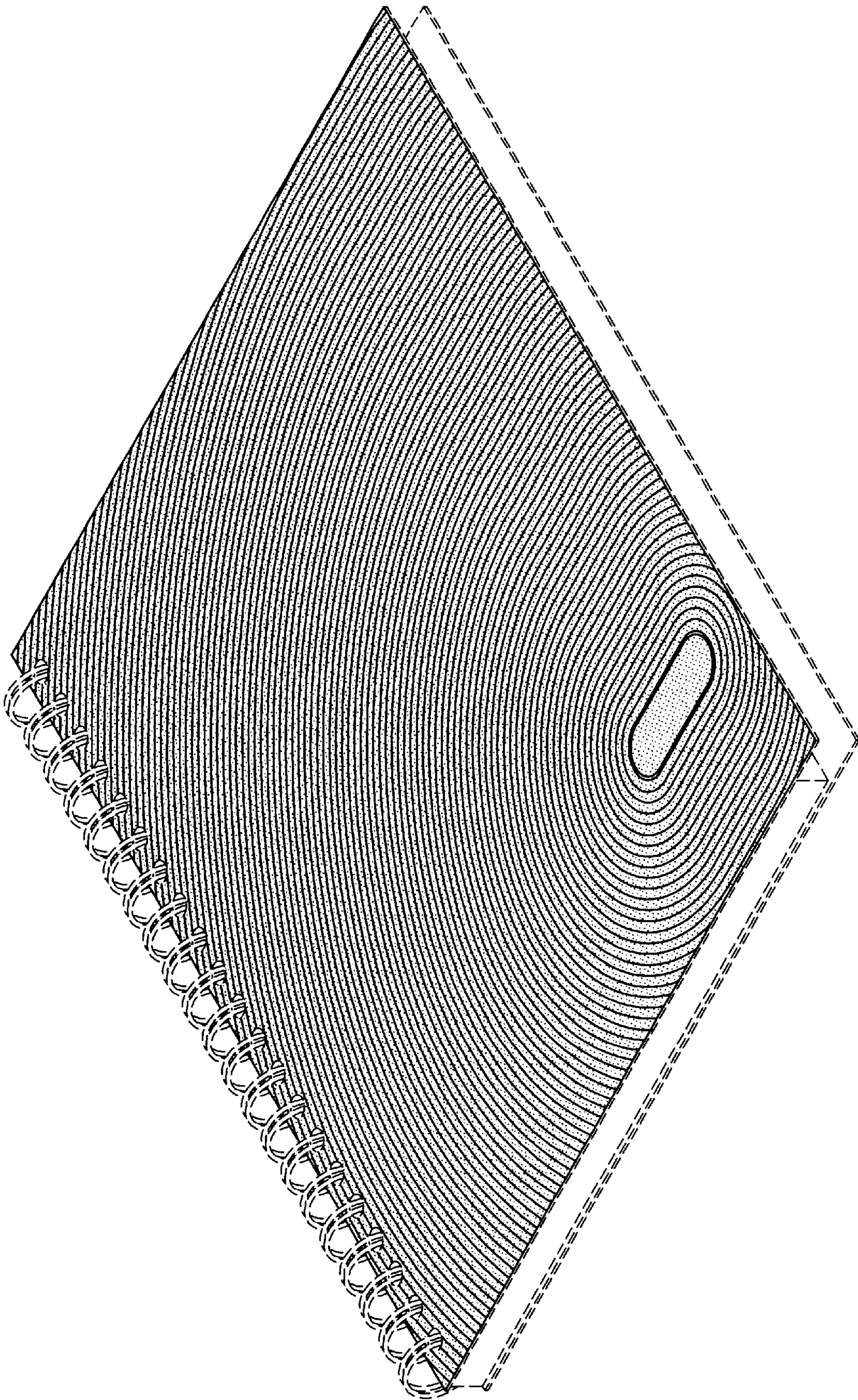


FIG. 9