



US00D484532S

(12) **United States Design Patent**  
**Seo et al.**

(10) **Patent No.:** **US D484,532 S**

(45) **Date of Patent:** **\*\* Dec. 30, 2003**

(54) **PRINTER**

(75) Inventors: **Keiji Seo**, Nagoya (JP); **Motoaki Yamanashi**, Kounan (JP); **Akira Sago**, Seto (JP); **Kazuo Itoh**, Aichi-gun (JP)

(73) Assignee: **Brother Industries, Ltd.**, Nagoya (JP)

(\*\*) Term: **14 Years**

(21) Appl. No.: **29/167,579**

(22) Filed: **Sep. 18, 2002**

(30) **Foreign Application Priority Data**

Mar. 18, 2002 (JP) ..... 2002-007029

(51) **LOC (7) Cl.** ..... **14-02**

(52) **U.S. Cl.** ..... **D18/50**

(58) **Field of Search** ..... D18/50, 54-55,  
D18/36-39; D14/420-425, 462-470; 400/613,  
613.1-613.4, 691-694, 690.1-690.4

(56) **References Cited**

**U.S. PATENT DOCUMENTS**

D276,346 S \* 11/1984 Masaki ..... D18/37  
D295,520 S \* 5/1988 Ooie ..... D18/37  
D295,529 S \* 5/1988 Masaki et al. .... D18/37  
D304,177 S \* 10/1989 Hara ..... D18/37

D411,834 S \* 7/1999 Liu ..... D14/425  
6,068,420 A \* 5/2000 Austin et al. .... 400/693  
D430,895 S \* 9/2000 Inoue ..... D18/54  
D454,128 S \* 3/2002 Yamano et al. .... D14/420  
D457,886 S \* 5/2002 Sekine ..... D14/424

\* cited by examiner

*Primary Examiner*—Cathy Anne MacCormac

(74) *Attorney, Agent, or Firm*—Oliff & Berridge, PLC

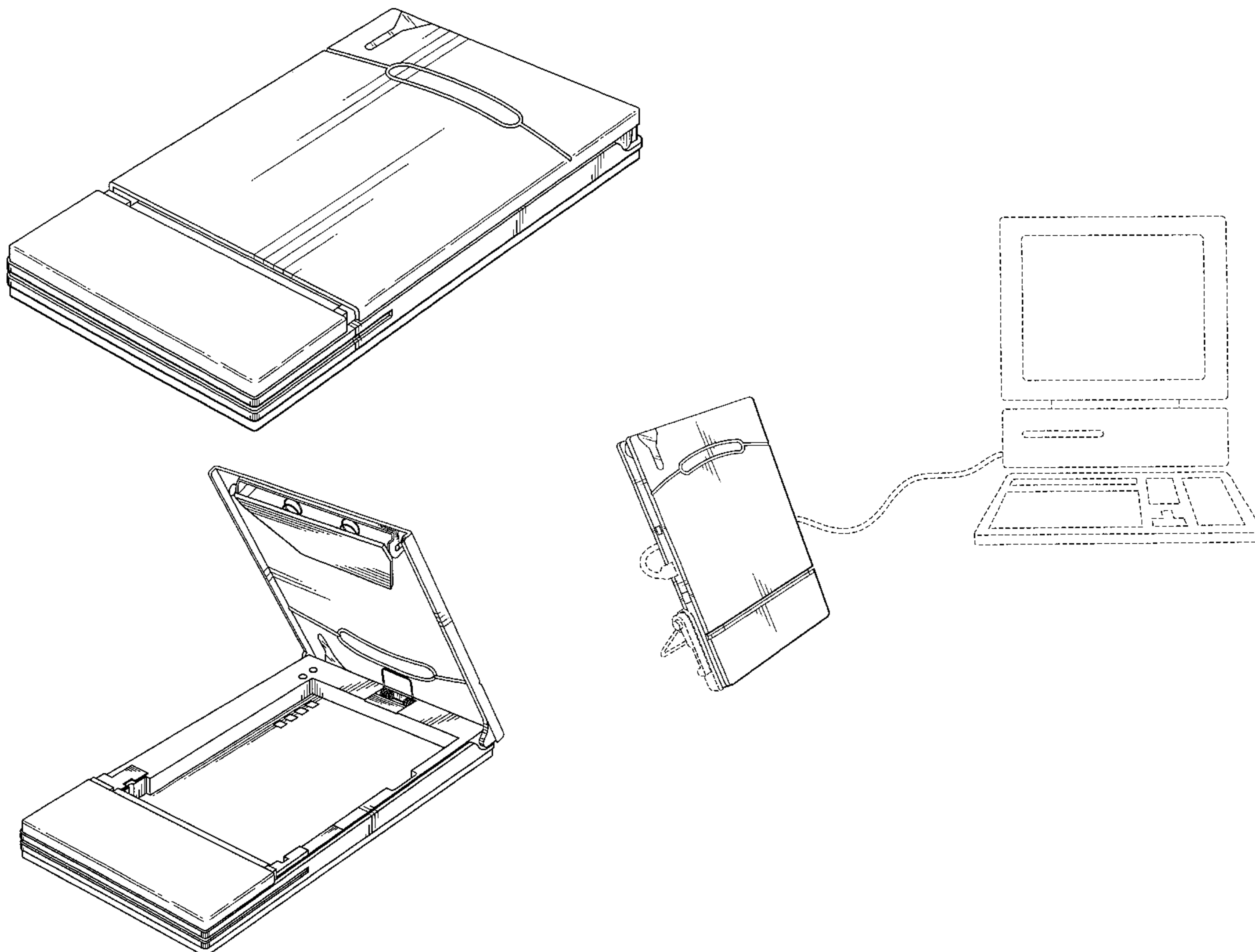
(57) **CLAIM**

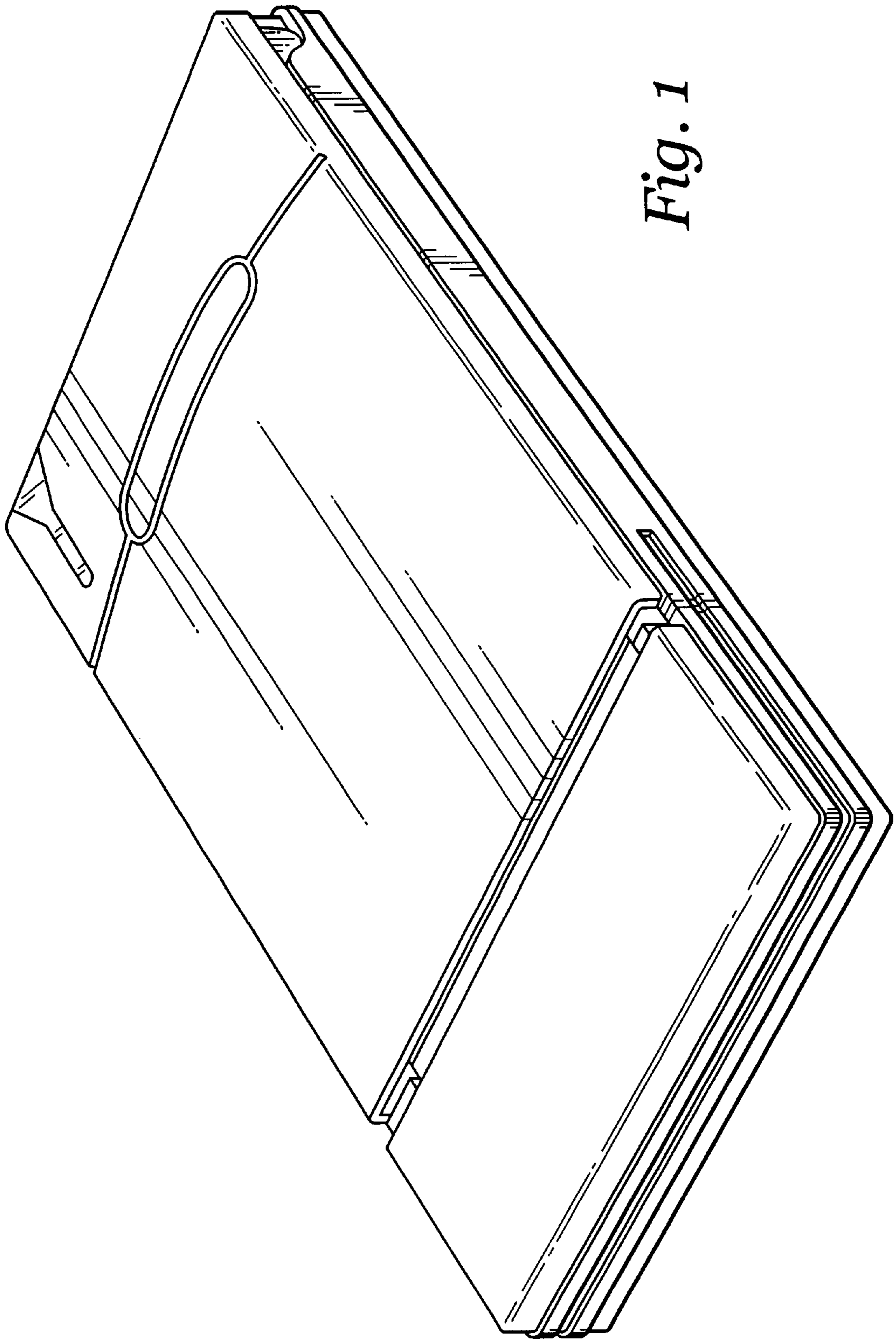
The ornamental design for a printer, as shown and described.

**DESCRIPTION**

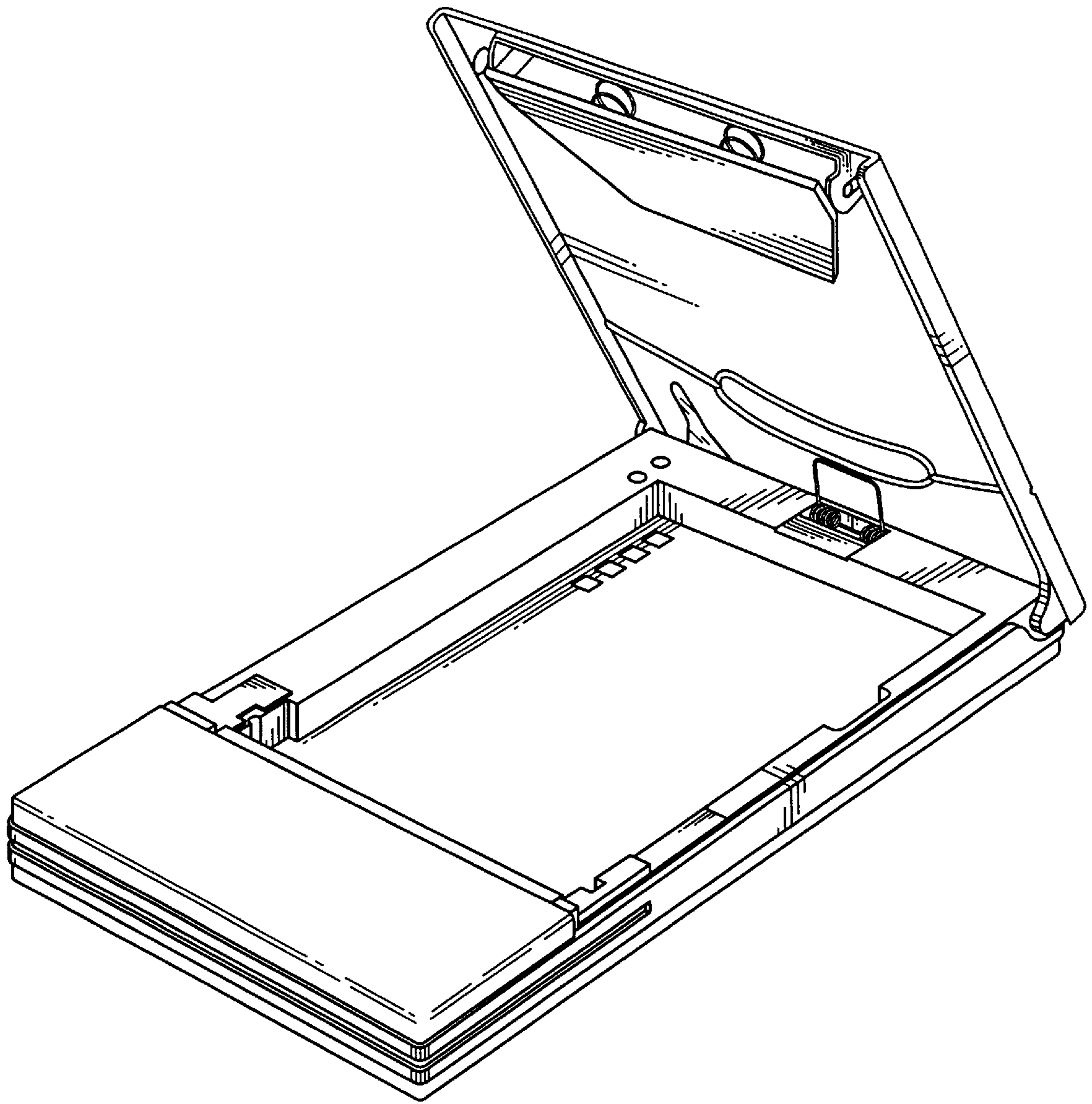
FIG. 1 is a perspective view of a printer;  
FIG. 2 is a perspective view thereof with the lid in an open position;  
FIG. 3 is a top view of FIG. 1;  
FIG. 4 is a bottom view of FIG. 1;  
FIG. 5 is a front view of FIG. 1;  
FIG. 6 is a rear view of FIG. 1;  
FIG. 7 is a left-side view of FIG. 1;  
FIG. 8 is a right-side view of FIG. 1; and,  
FIG. 9 is a perspective view showing the printer in an upright position as shown in use.  
The broken lines are for illustrative purposes only and form no part of the claimed design.

**1 Claim, 6 Drawing Sheets**



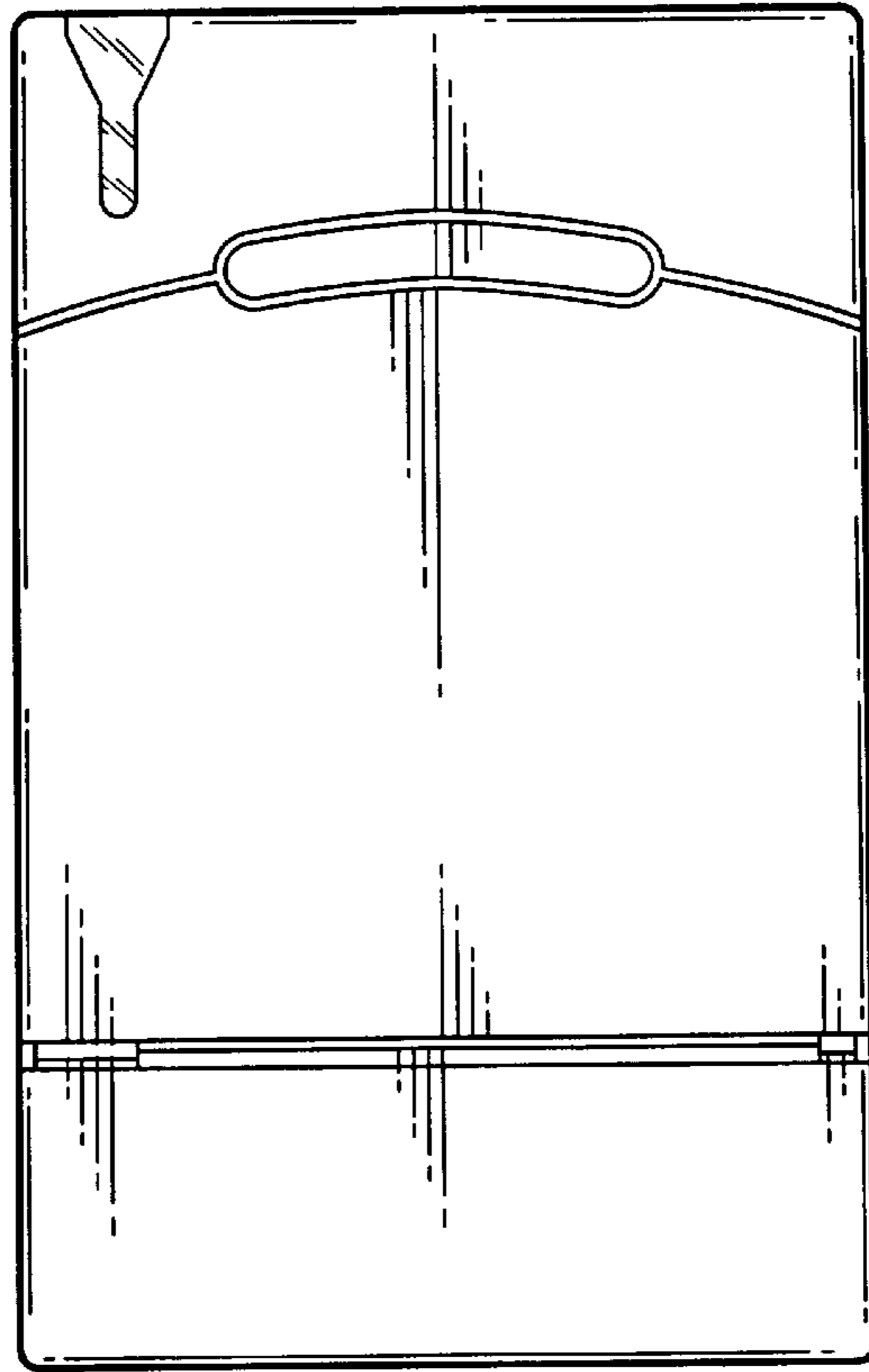


*Fig. 1*

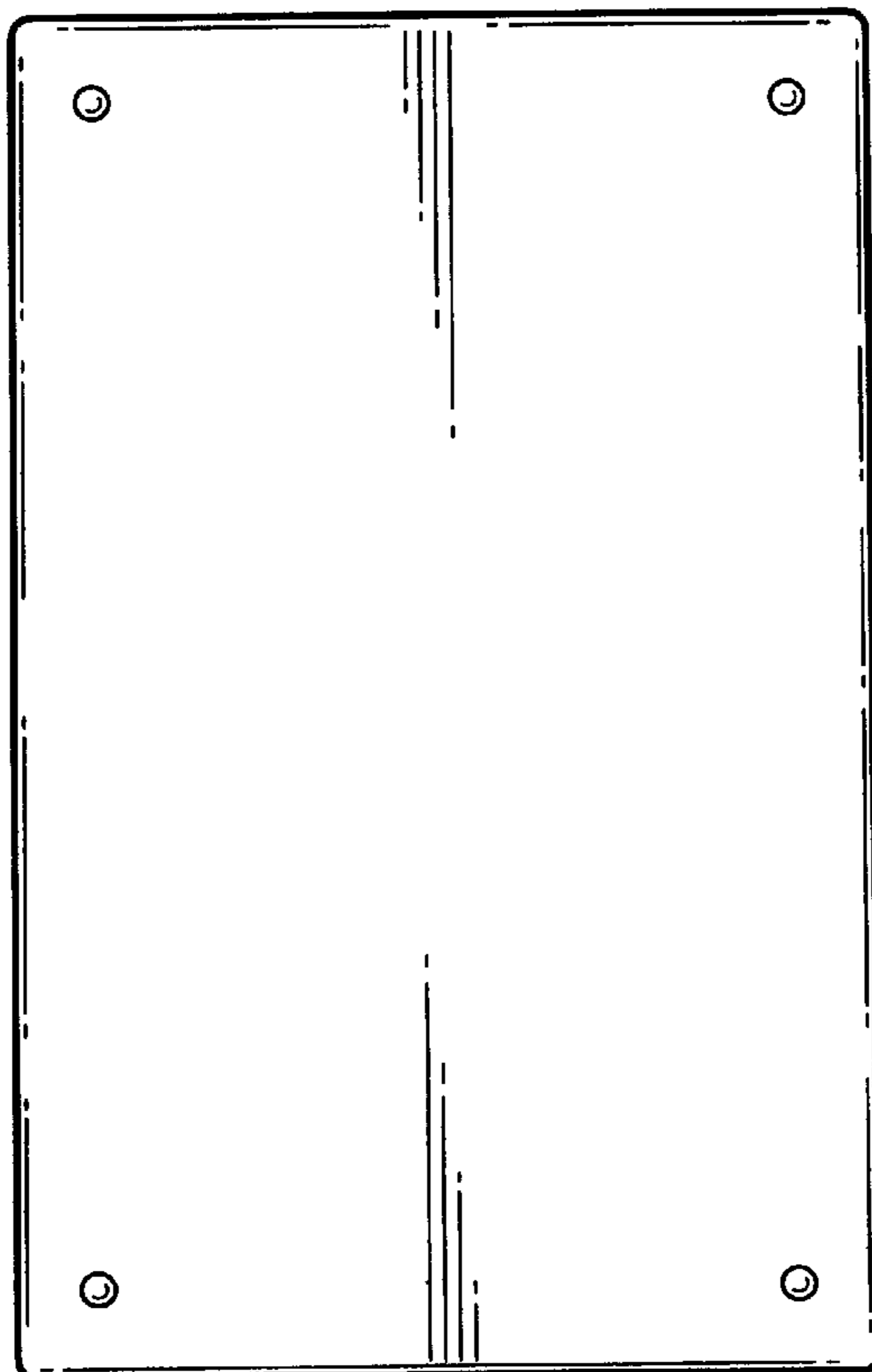


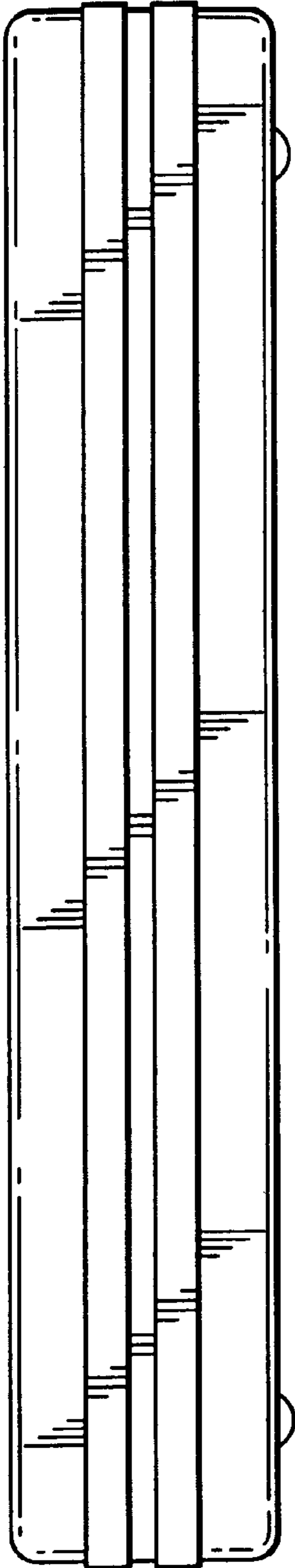
*Fig. 2*

*Fig. 3*

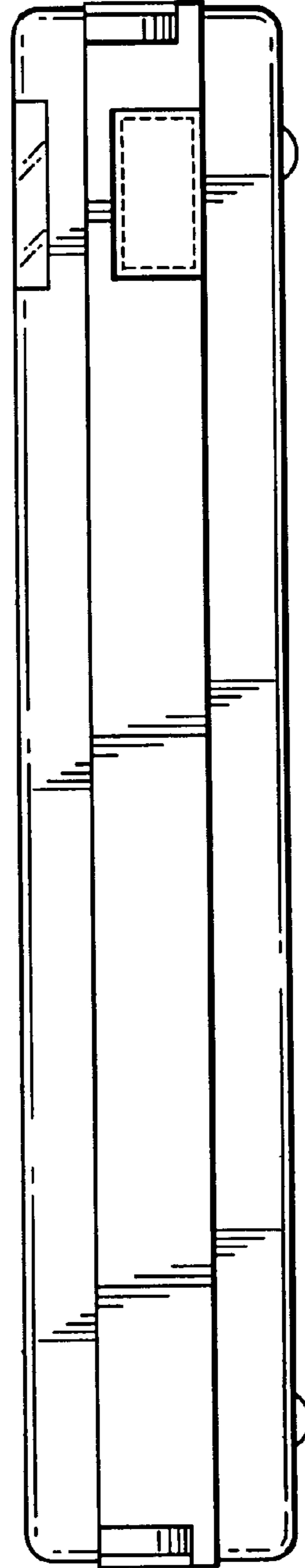


*Fig. 4*

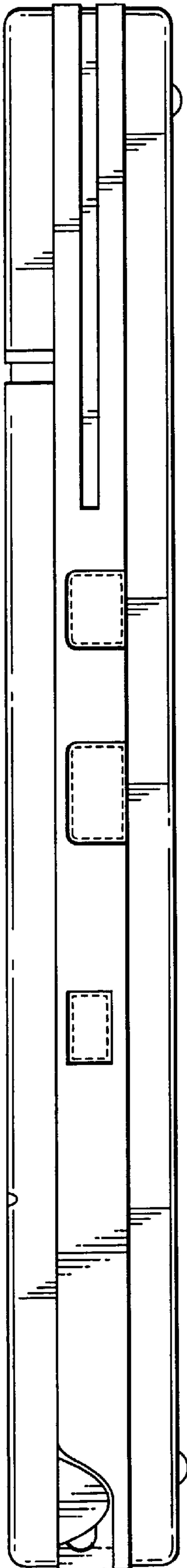




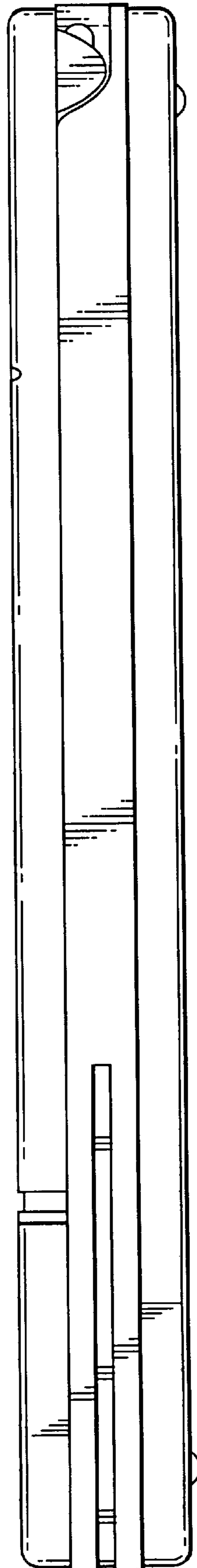
*Fig. 5*



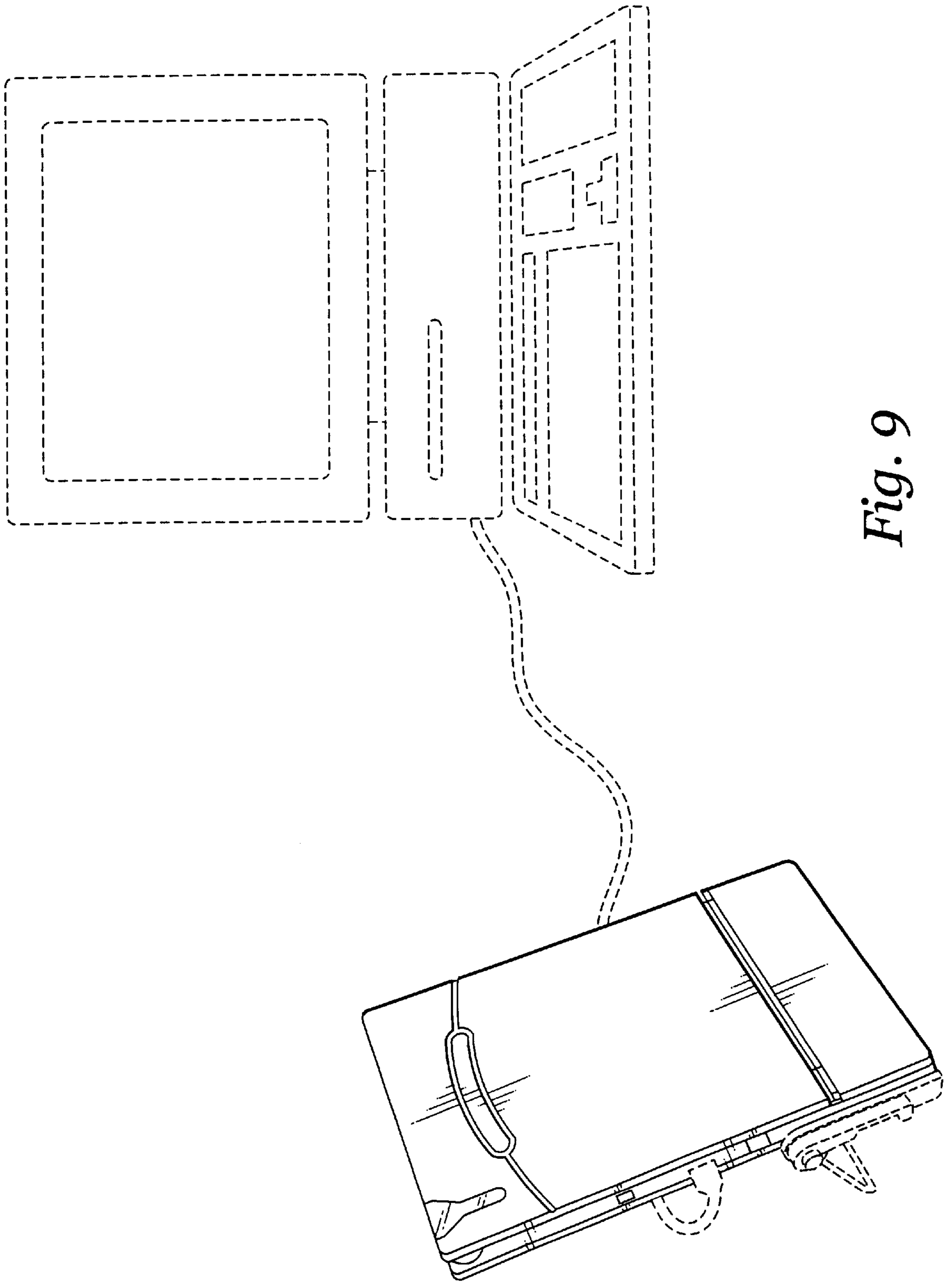
*Fig. 6*



*Fig. 7*



*Fig. 8*



*Fig. 9*