



US00D484531S

(12) **United States Design Patent**
Penke et al.

(10) **Patent No.:** **US D484,531 S**

(45) **Date of Patent:** **** Dec. 30, 2003**

(54) **PORTION OF FRONT PANEL AND CONTROL PANEL LEAD-IN SURROUNDING FOR AN OFFICE MACHINE**

(75) Inventors: **Mark S. Penke**, West Henrietta, NY (US); **Kenneth J. Rieck**, Victor, NY (US); **William Theodore Clark, III**, Pittsford, NY (US); **Donald A. Brown**, Honeoye Falls, NY (US); **David M. Parsons**, Victor, NY (US); **Shu Watanabe**, Yokohama (JP); **Hidetoshi Kimura**, Yokohama (JP); **Hiroshi Nakada**, Yokohama (JP)

(73) Assignee: **Xerox Corporation**, Stamford, CT (US)

(**) Term: **14 Years**

(21) Appl. No.: **29/176,205**

(22) Filed: **Feb. 14, 2003**

(51) **LOC (7) Cl.** **16-03**

(52) **U.S. Cl.** **D18/41; D18/40**

(58) **Field of Search** D18/36-49, 50-56; D14/462-471, 217, 218, 257; 399/1-7, 75, 81, 107, 151, 381-393, 405, 411

(56) **References Cited**

U.S. PATENT DOCUMENTS

D312,653 S * 12/1990 Nakamura et al. D18/37

D336,104 S	*	6/1993	Hiroki et al.	D18/39
D352,057 S	*	11/1994	Tashiro	D18/50
D364,639 S	*	11/1995	Tashiro	D18/50
D370,496 S	*	6/1996	Inoue et al.	D18/50
D399,250 S	*	10/1998	Kawai	D18/55
D415,160 S	*	10/1999	Renk	D14/218
D415,520 S	*	10/1999	Suzuki et al.	D18/55
D432,161 S	*	10/2000	Takeuchi	D18/39
D434,067 S	*	11/2000	Chen	D18/36
D436,369 S	*	1/2001	Sasaki et al.	D18/39
D466,149 S	*	11/2002	Takeuchi	D18/36

* cited by examiner

Primary Examiner—Caron D. Veynar

(74) *Attorney, Agent, or Firm*—Tallam Nguti

(57) **CLAIM**

The ornamental design for a portion of front panel and control panel lead-in surrounding for an office machine, as shown and described.

DESCRIPTION

FIG. 1 is a perspective view of portion of front panel and control panel lead-in surrounding for an office machine showing the design of the present invention;

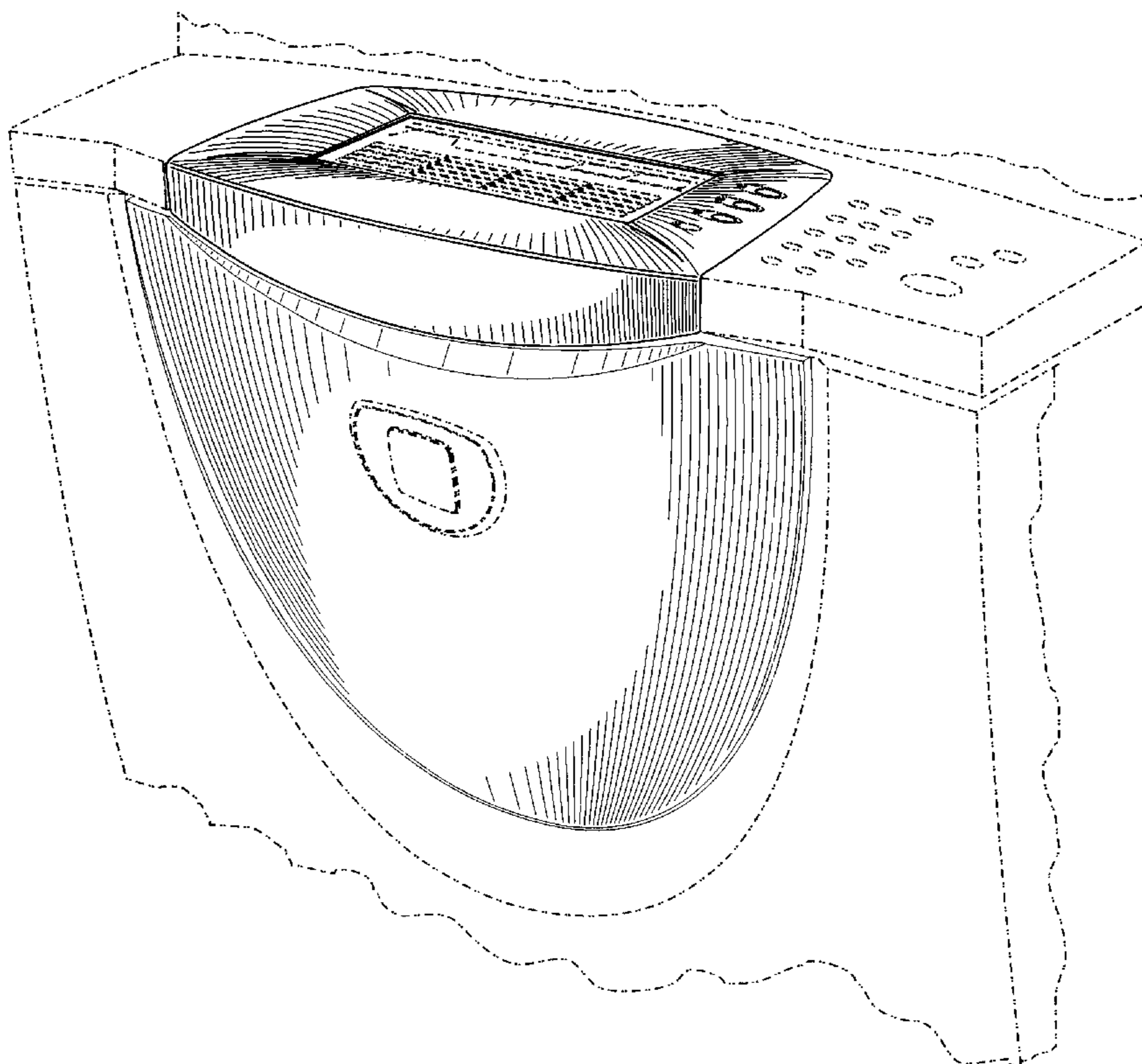
FIG. 2 is a front view thereof;

FIG. 3 is a right side view thereof; and,

FIG. 4 is a left side view thereof.

The broken lines showing in FIGS. 1-4 are for illustrative purposes only and do not form part of the claimed design.

1 Claim, 3 Drawing Sheets



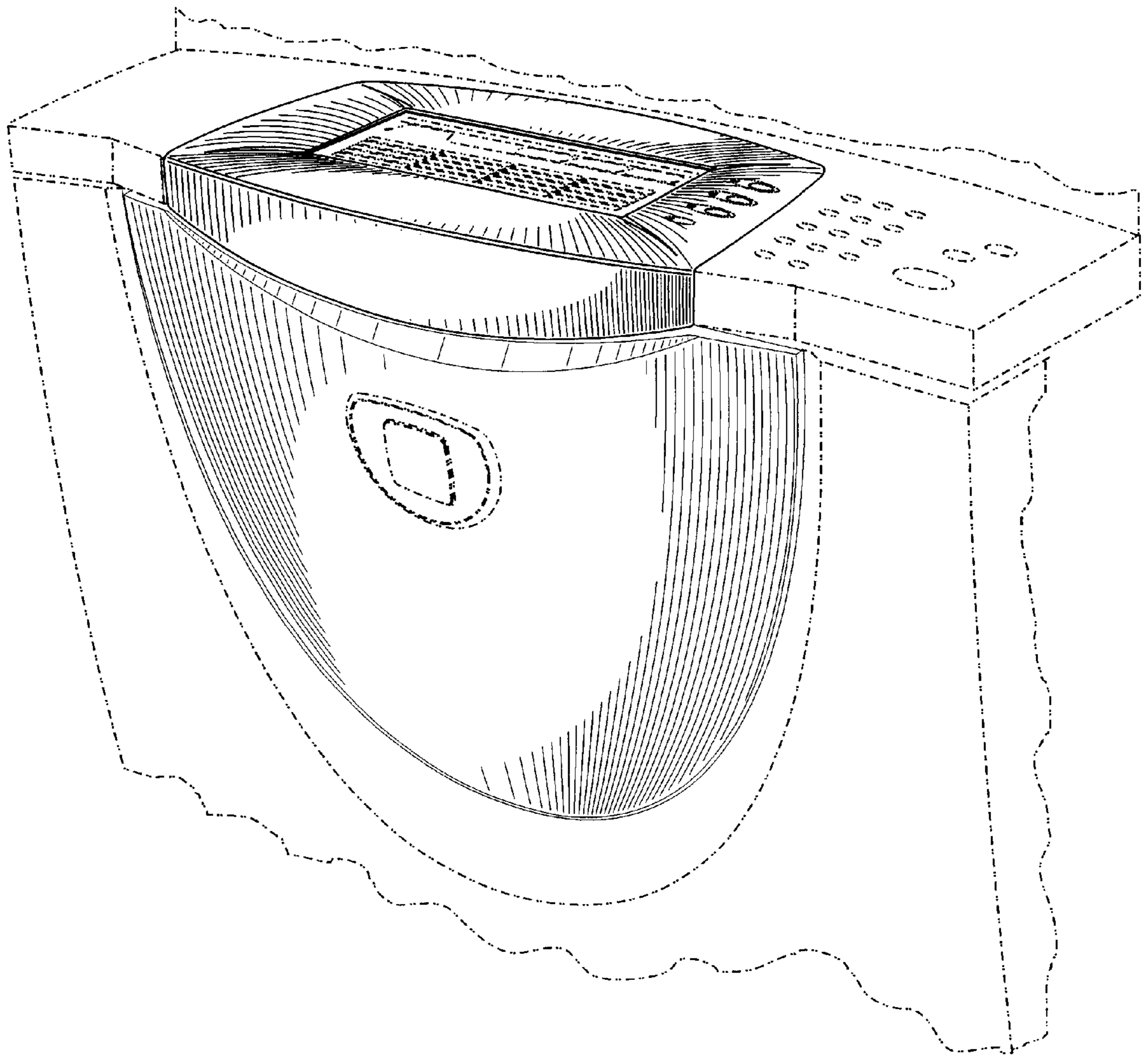


FIG. 1

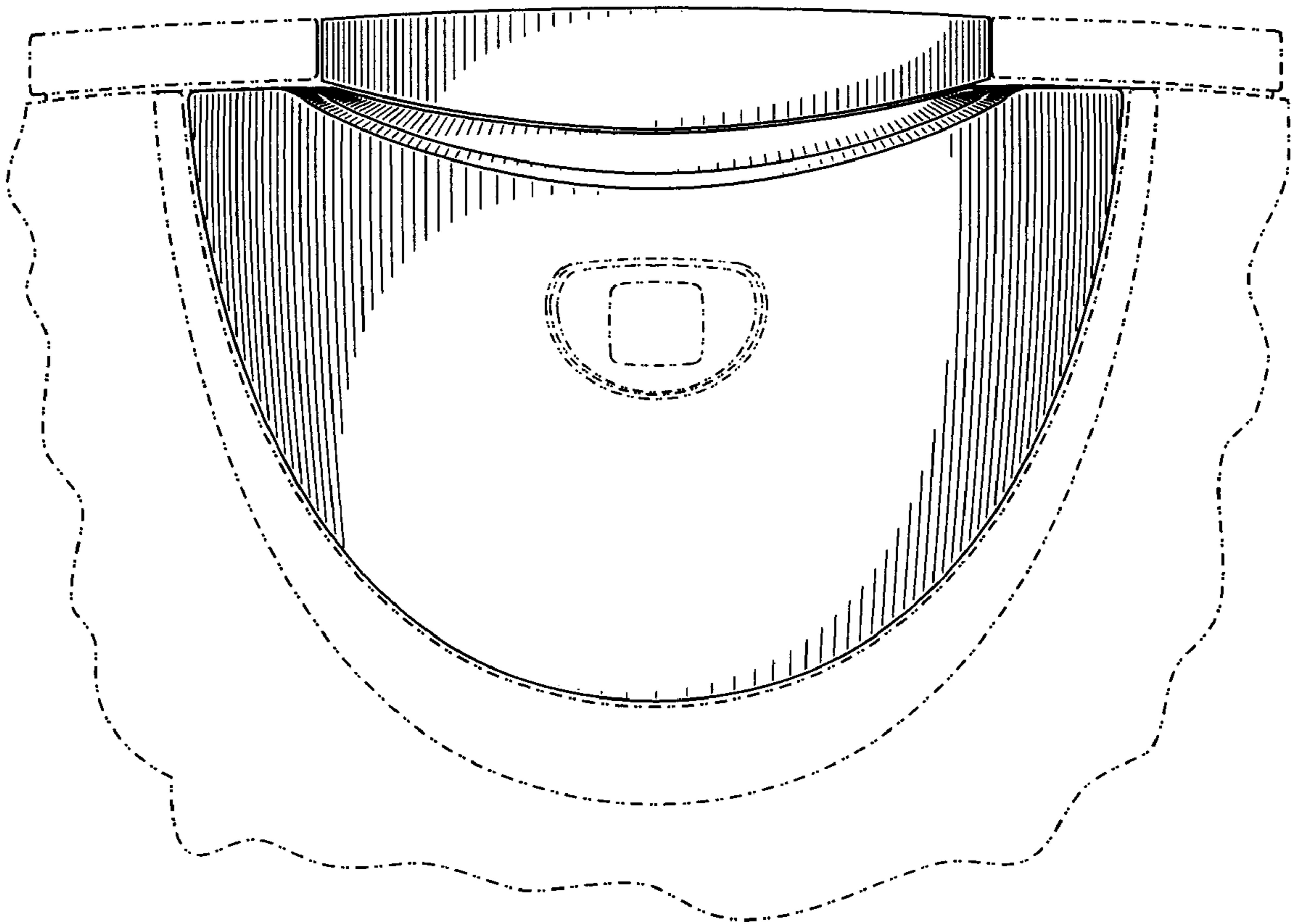


FIG. 2

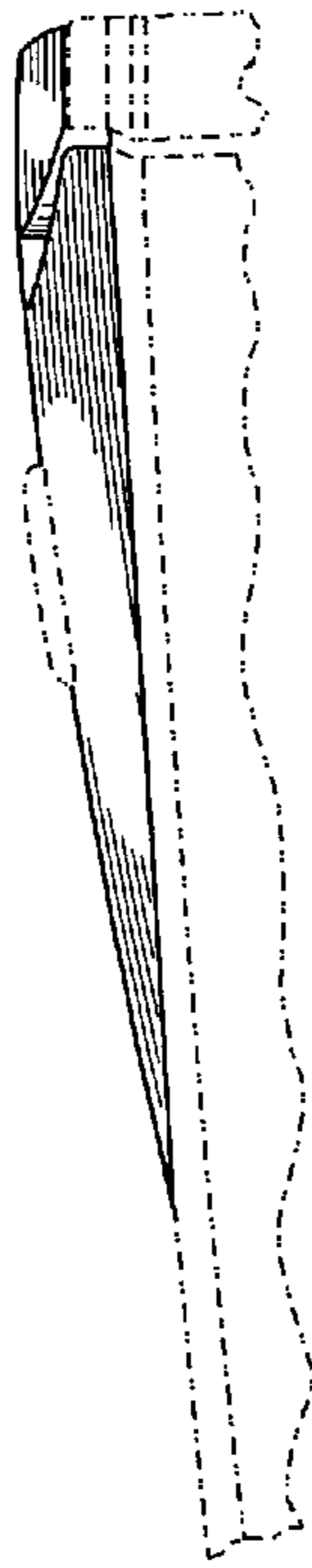


FIG. 3

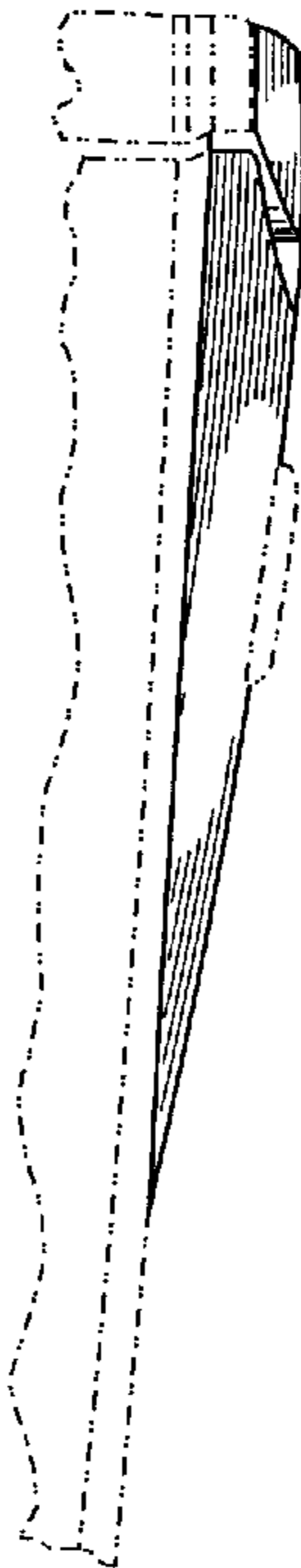


FIG. 4