



US00D484523S

(12) **United States Design Patent**
Senda

(10) **Patent No.:** **US D484,523 S**

(45) **Date of Patent:** **** Dec. 30, 2003**

(54) **CAMERA**

(75) **Inventor:** **Yutaka Senda, Tokyo (JP)**

(73) **Assignee:** **Fuji Photo Film Co., Ltd., Kanagawa (JP)**

(**) **Term:** **14 Years**

(21) **Appl. No.:** **29/177,374**

(22) **Filed:** **Mar. 10, 2003**

(30) **Foreign Application Priority Data**

Sep. 30, 2002 (JP) 2002-026819

(51) **LOC (7) Cl.** **16-01**

(52) **U.S. Cl.** **D16/218**

(58) **Field of Search** D16/200-206,
D16/208, 218; 348/373-376; 358/906, 909.1;
396/349, 535-541

(56) **References Cited**

U.S. PATENT DOCUMENTS

| | | | | |
|------------|-----------|----------------|-------|---------|
| D447,504 S | 9/2001 | Horikiri | | D16/218 |
| D450,071 S | * 11/2001 | Funato | | D16/202 |
| D457,902 S | * 5/2002 | Porsche et al. | | D16/202 |
| D463,472 S | 9/2002 | Horikiri | | D16/218 |

| | | | | | |
|-----------------|---|--------|-----------------|-------|---------|
| D472,258 S | * | 3/2003 | Yin et al. | | D16/202 |
| D473,251 S | * | 4/2003 | Katayama | | D16/218 |
| D473,885 S | * | 4/2003 | Horikiri et al. | | D16/202 |
| 2002/0110375 A1 | * | 8/2002 | Takagi | | 396/349 |

* cited by examiner

Primary Examiner—Adir Aronovich

(74) *Attorney, Agent, or Firm*—Young & Thompson

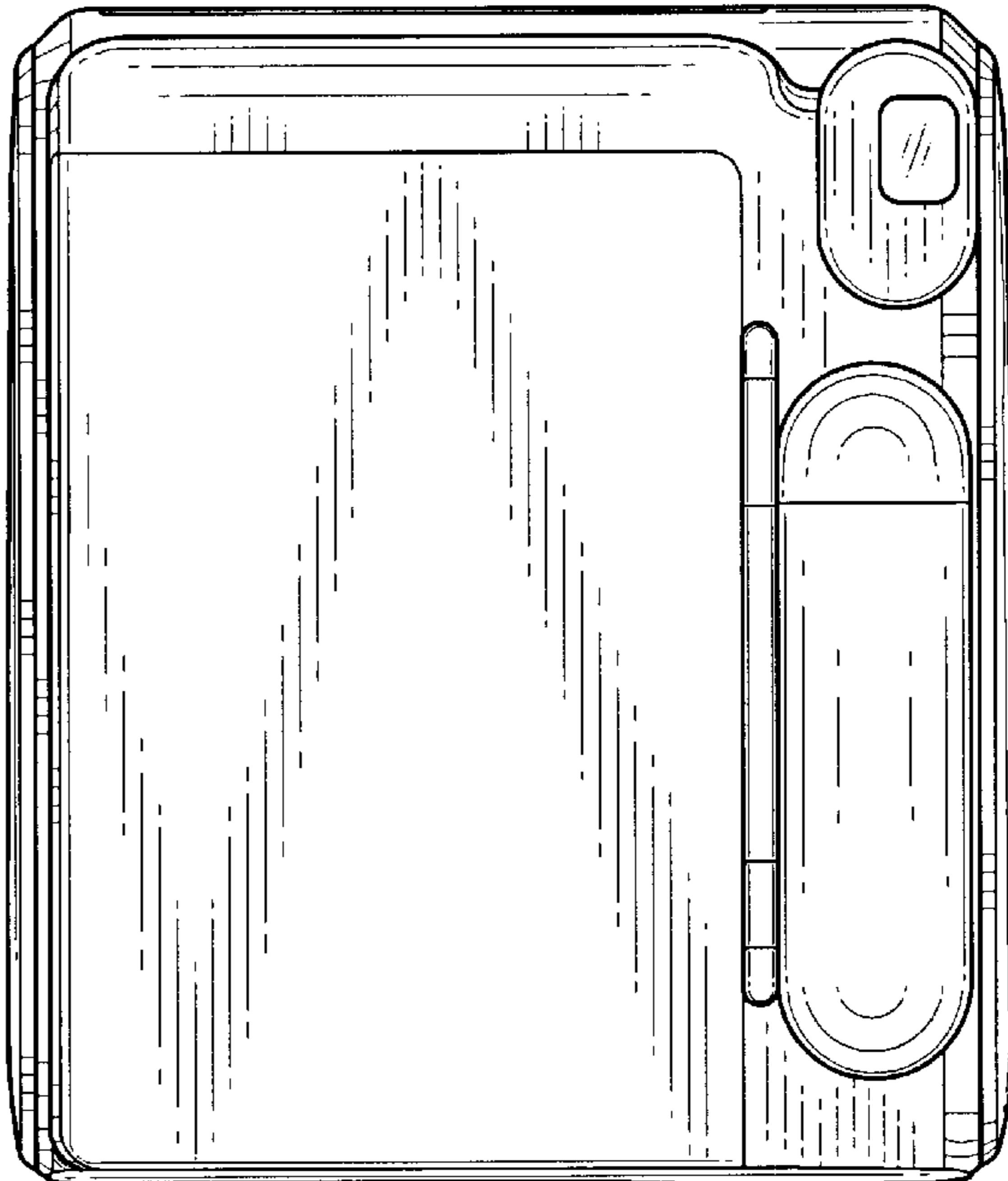
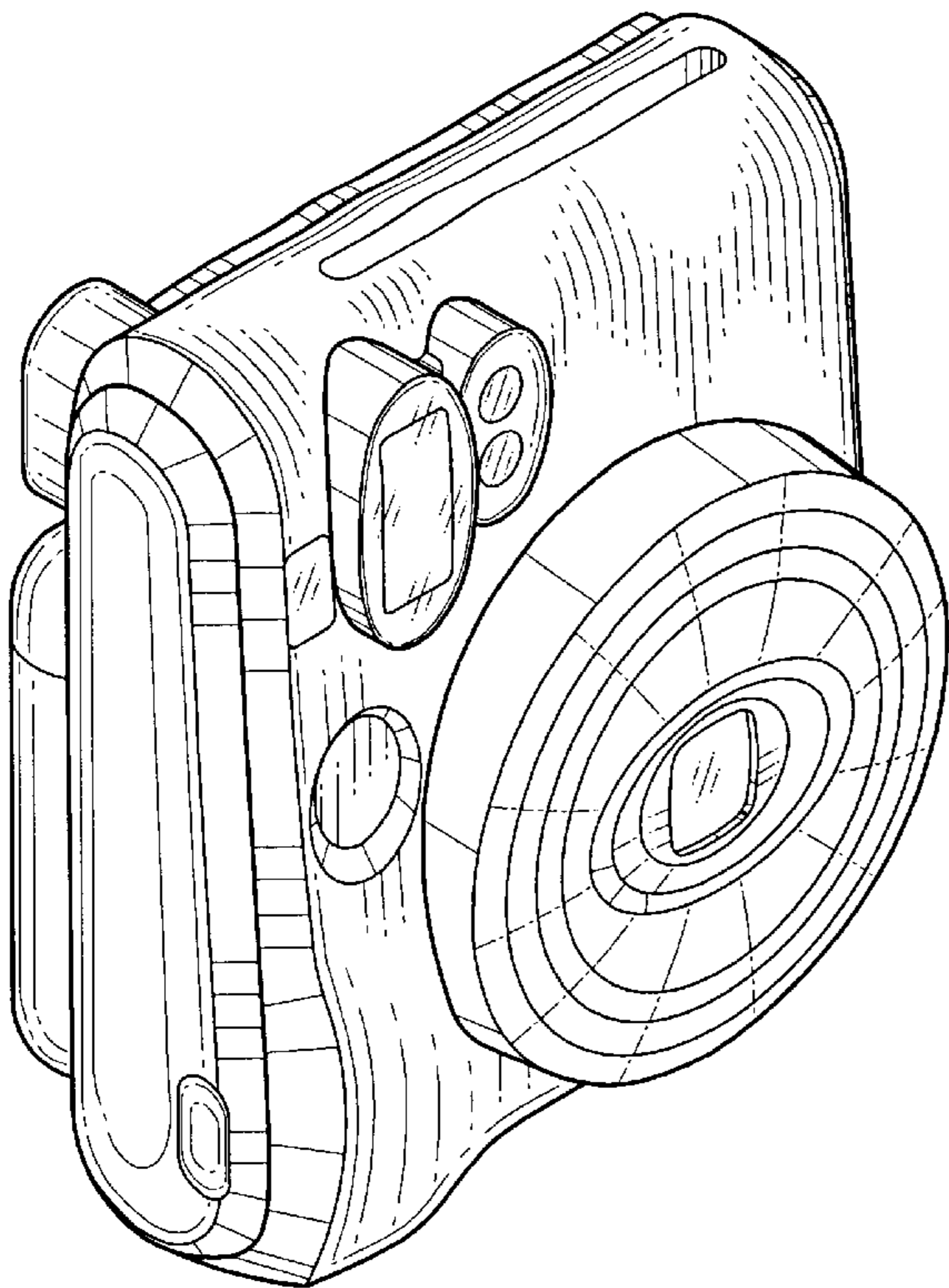
(57) **CLAIM**

The ornamental design for a camera, as shown and described.

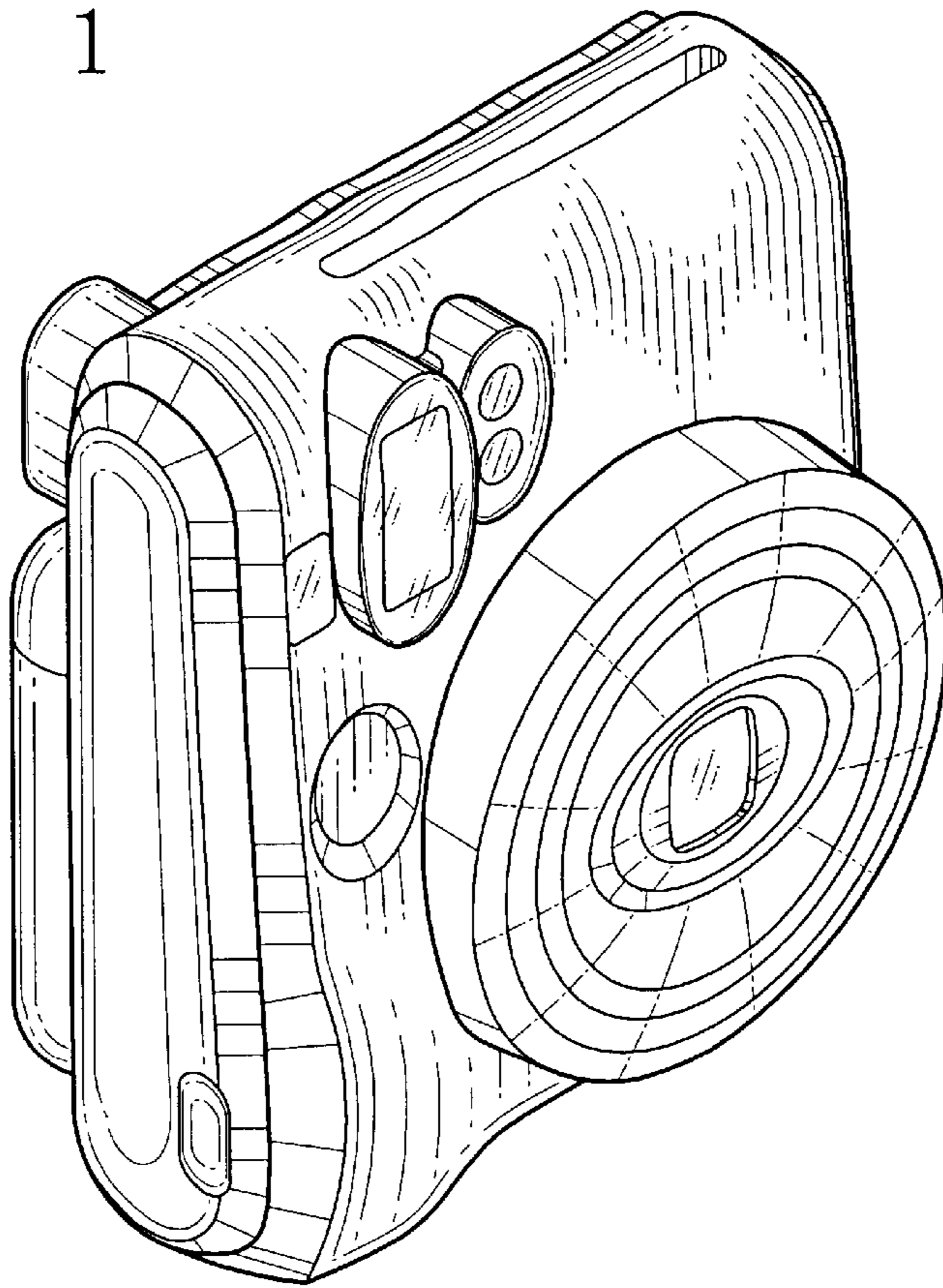
DESCRIPTION

FIG. 1 is a top, front and side perspective view of a camera showing my new design;
 FIG. 2 is a front elevational view thereof;
 FIG. 3 is rear elevational view thereof;
 FIG. 4 is a top plan view thereof;
 FIG. 5 is a bottom plan view thereof;
 FIG. 6 is a side elevational view thereof from the right of FIG. 2;
 FIG. 7 is a side elevational view thereof from the left of FIG. 2; and,
 FIG. 8 is a view similar to FIG. 1 but with the parts in a different position.

1 Claim, 4 Drawing Sheets



F I G . 1



F I G . 2

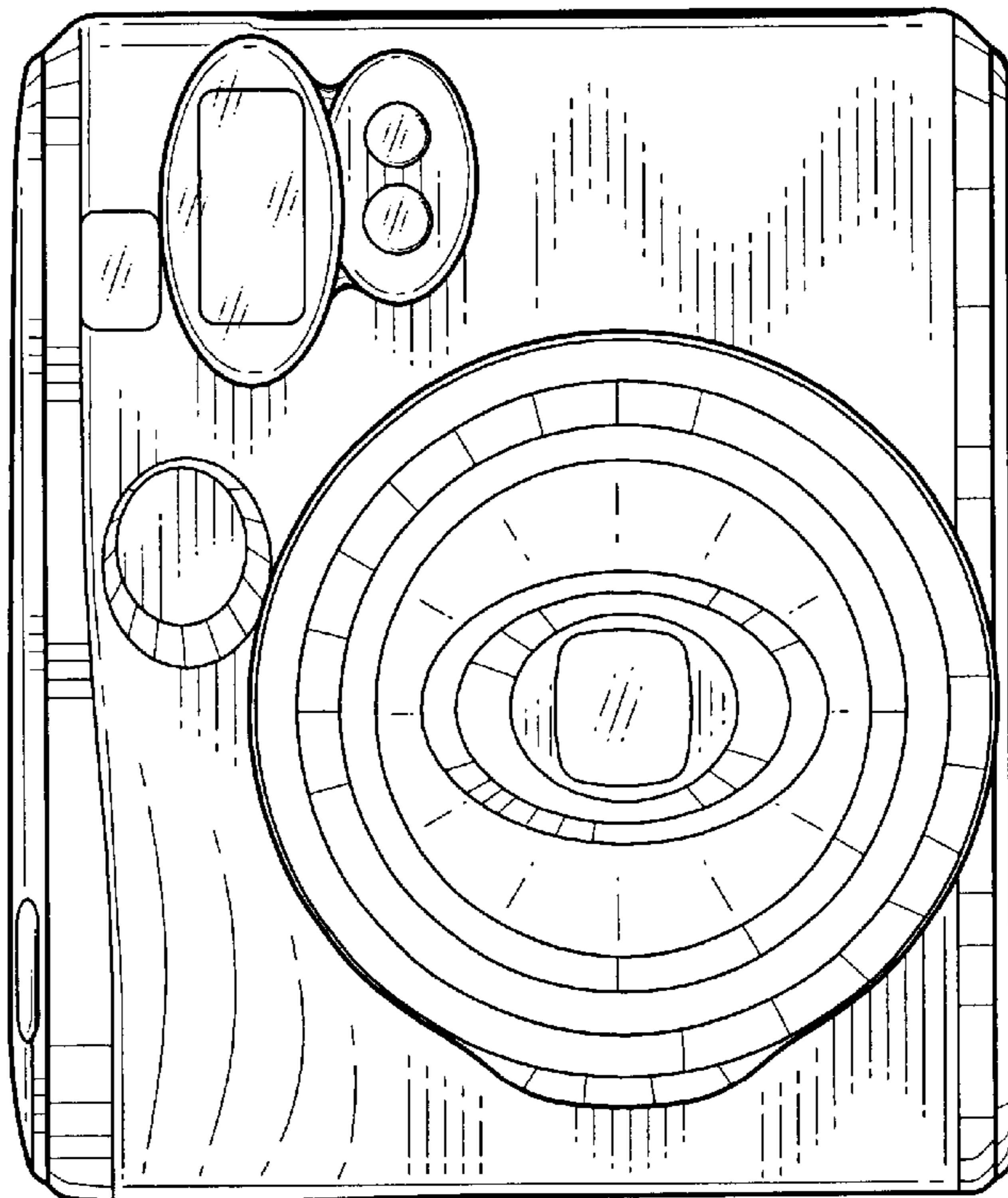


FIG. 3

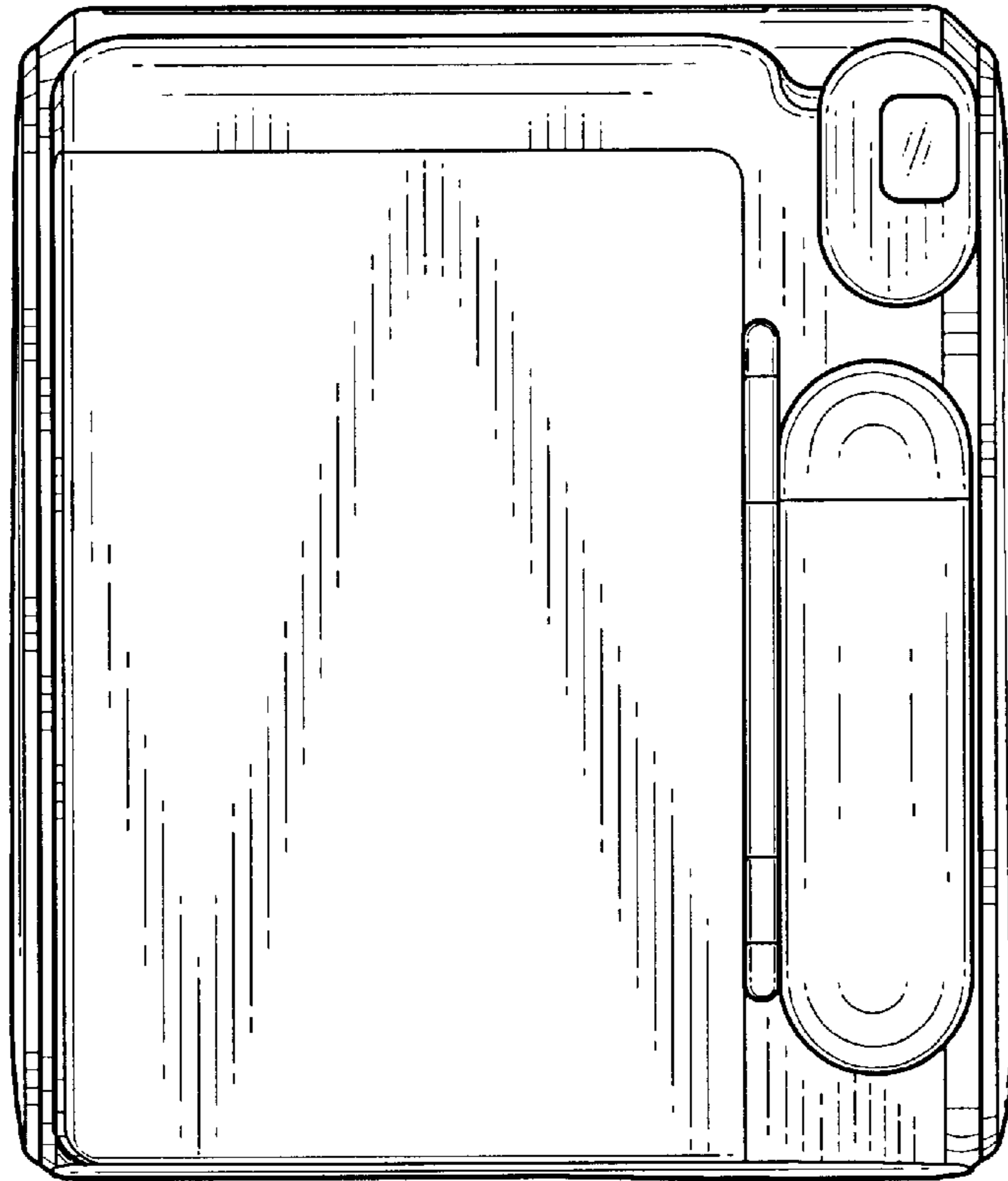


FIG. 4

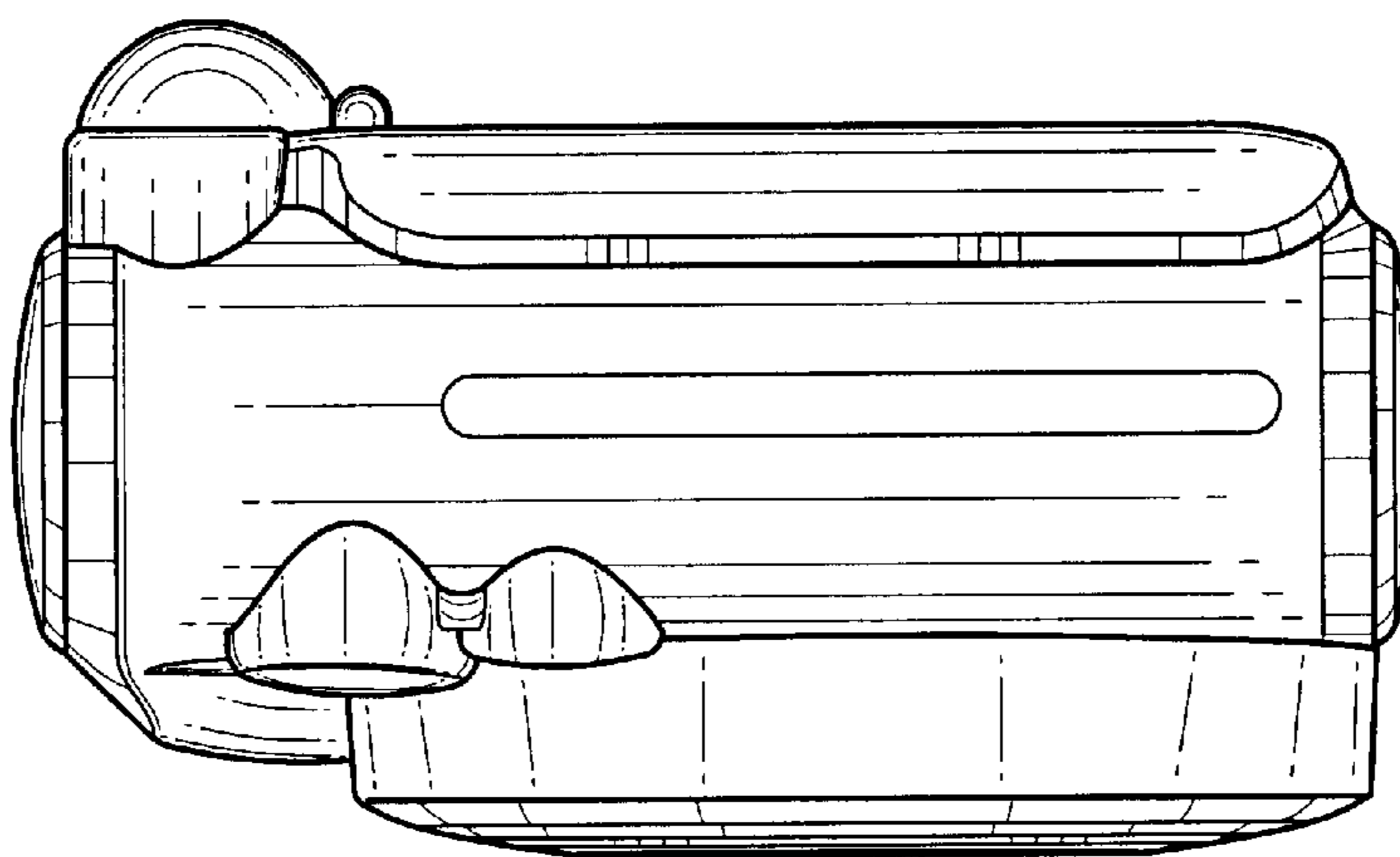


FIG. 5

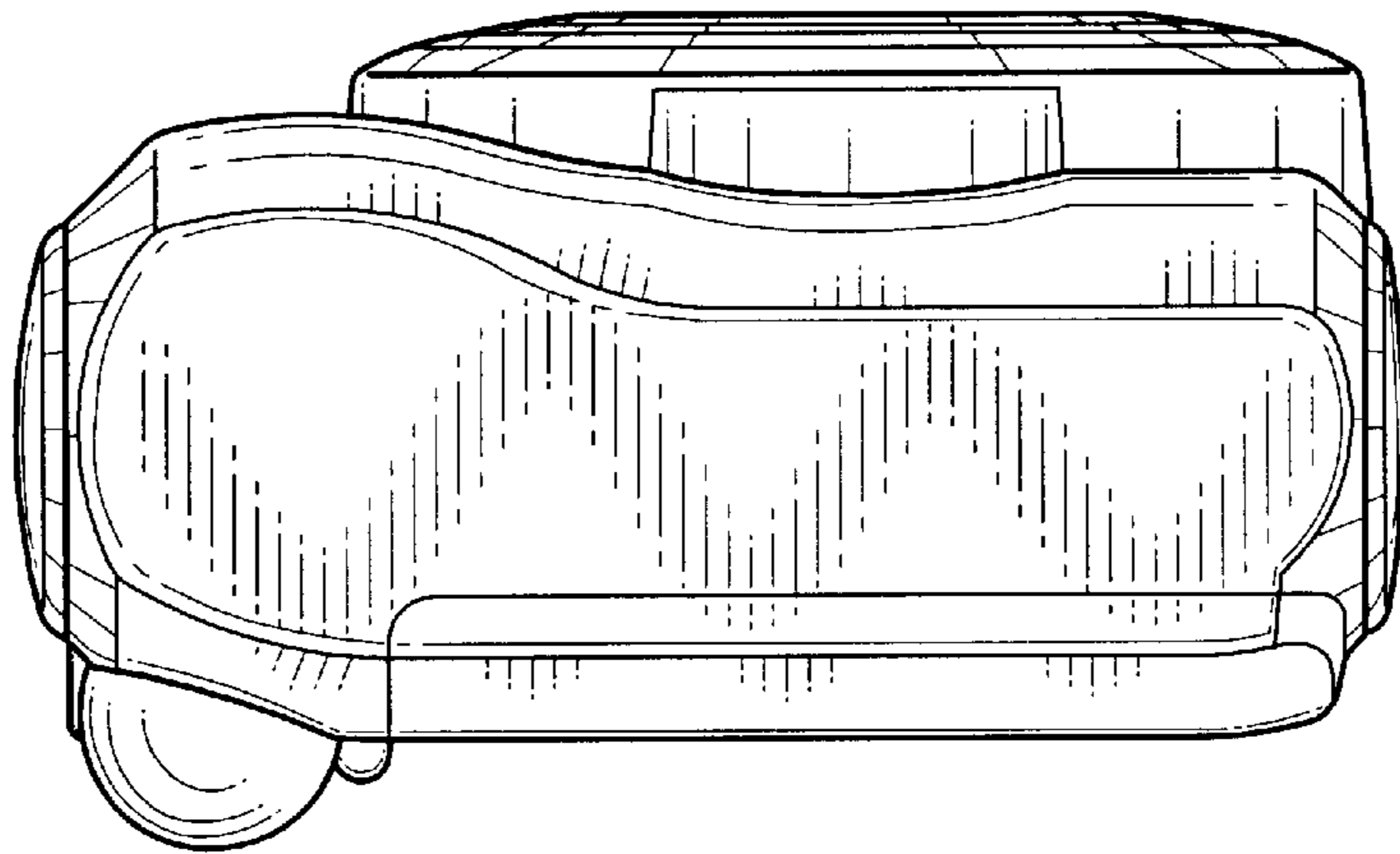


FIG. 6

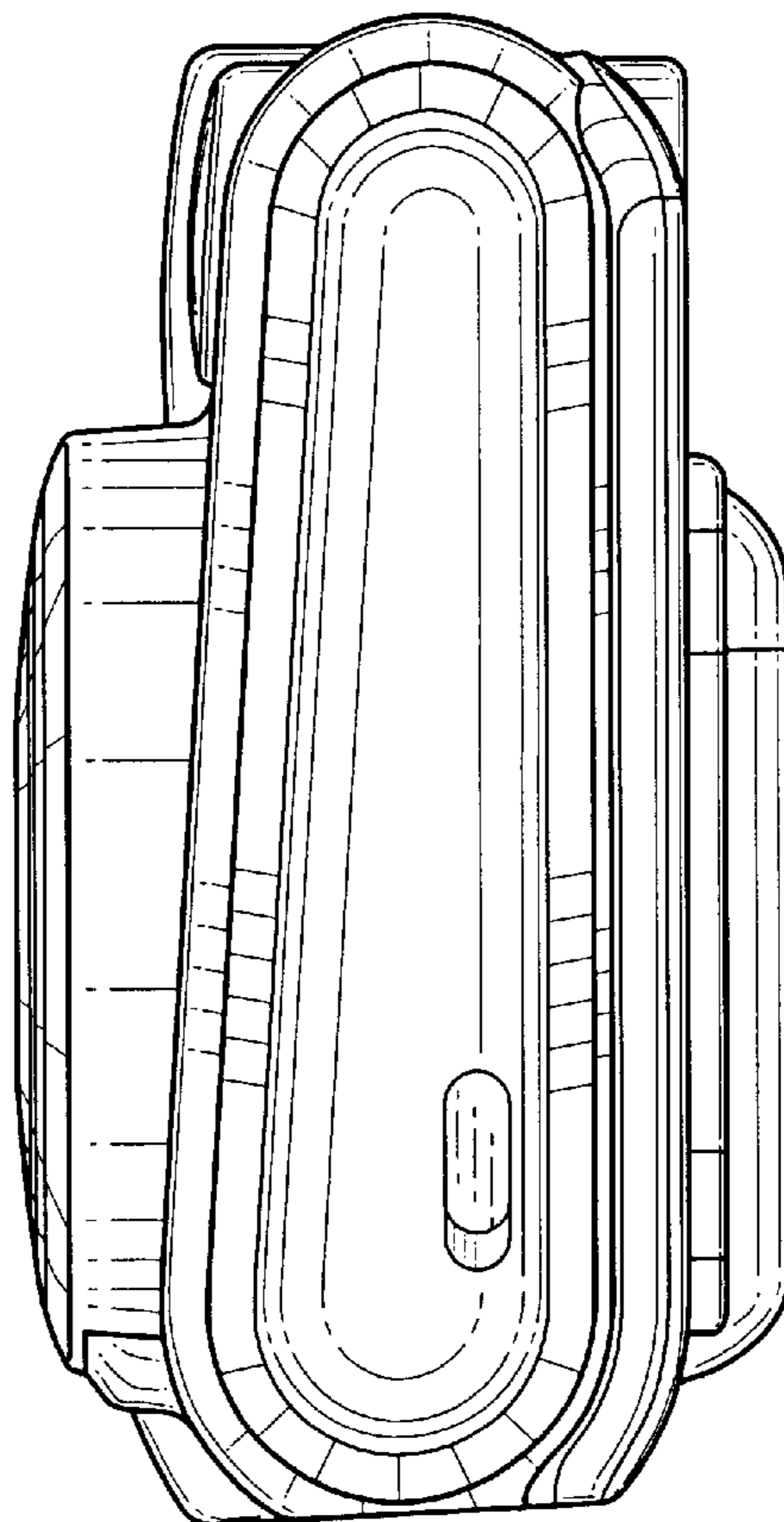


FIG. 7

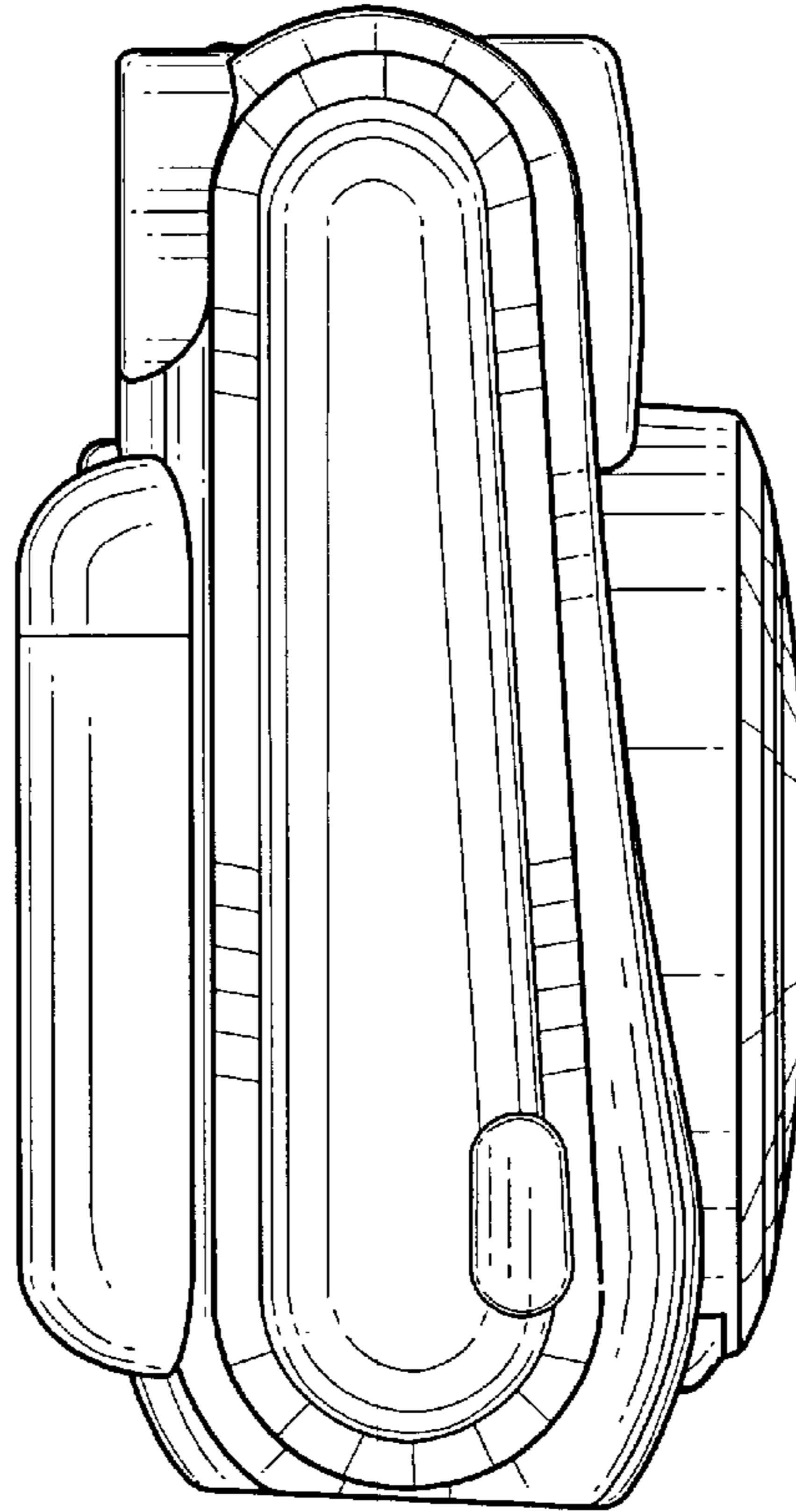


FIG. 8

