



US00D484522S

(12) **United States Design Patent**
Inaba

(10) **Patent No.:** **US D484,522 S**

(45) **Date of Patent:** **** Dec. 30, 2003**

(54) **CAMERA**

(75) Inventor: **Toshiya Inaba**, Tokyo (JP)

(73) Assignee: **Pentax Corporation**, Tokyo (JP)

(**) Term: **14 Years**

(21) Appl. No.: **29/176,613**

(22) Filed: **Feb. 27, 2003**

(30) **Foreign Application Priority Data**

Sep. 2, 2002 (JP) 2002-023590

(51) **LOC (7) Cl.** **16-01**

(52) **U.S. Cl.** **D16/212**

(58) **Field of Search** D16/200-204,
D16/208, 209, 211, 212, 218; 396/349,
448, 535-541

(56) **References Cited**

U.S. PATENT DOCUMENTS

D283,428 S * 4/1986 Iguchi D16/212
D416,035 S * 11/1999 Hamamura D16/212
6,135,652 A * 10/2000 Owashi et al. 396/349
6,347,893 B1 * 2/2002 Shiono et al. 396/448
D470,523 S * 2/2003 Basmadjian et al. D16/212

FOREIGN PATENT DOCUMENTS

JP 941895 9/1997

* cited by examiner

Primary Examiner—Adir Aronovich

(74) *Attorney, Agent, or Firm*—Sughrue Mion, PLLC

(57) **CLAIM**

The ornamental design for a camera, as shown and described.

DESCRIPTION

FIG. 1 is a perspective view of the top, front and right side of a camera showing my new design;
FIG. 2 is a front elevational view thereof;
FIG. 3 is a right side elevational view thereof;
FIG. 4 is a left side elevational view thereof;
FIG. 5 is a top plan view thereof;
FIG. 6 is a bottom plan view thereof;
FIG. 7 is a rear elevational view thereof;
FIG. 8 is a view similar to FIG. 1 with the sliding door open and the lens partially extended; and,
FIG. 9 is a view similar to FIG. 8 with the lens fully extended.

1 Claim, 5 Drawing Sheets

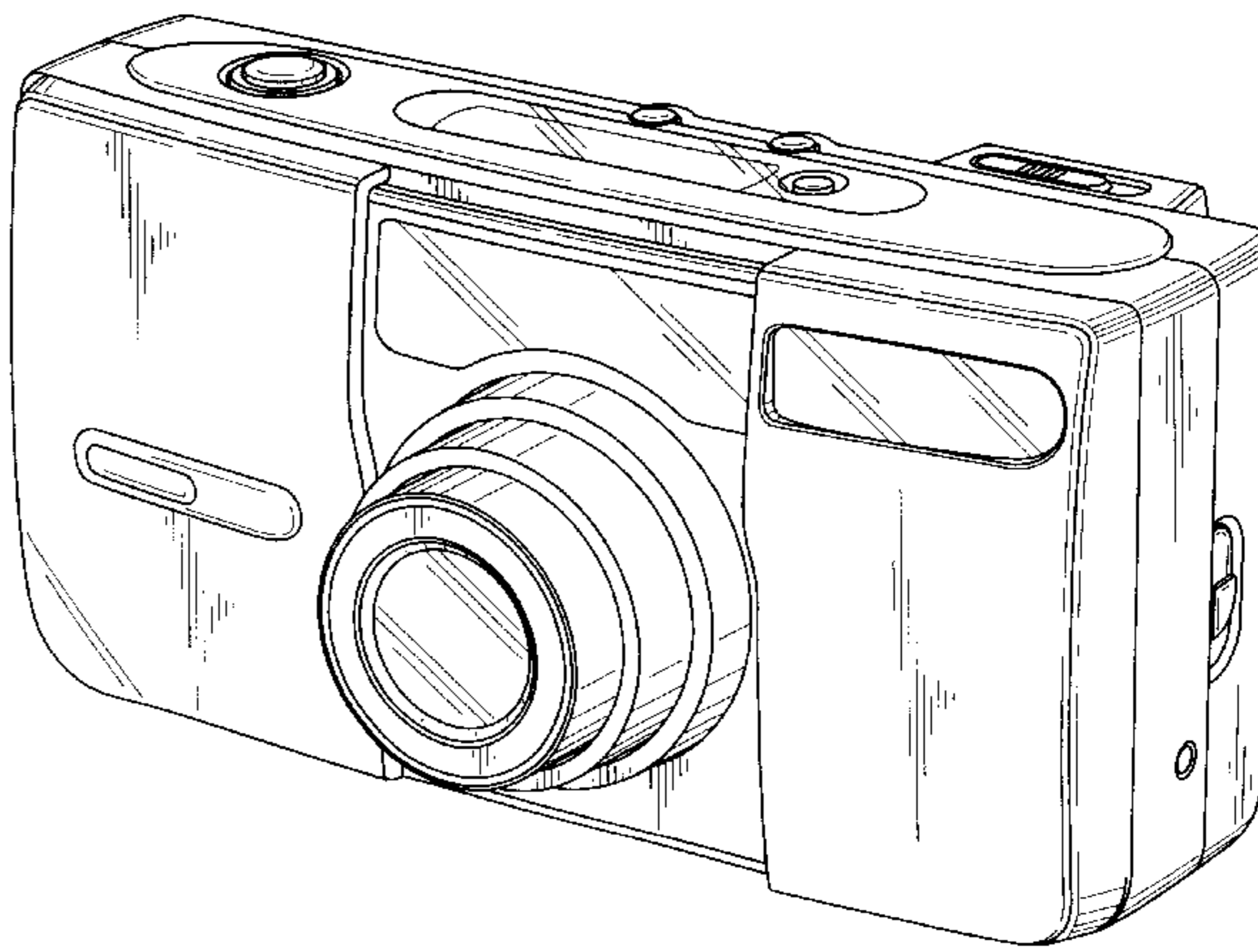
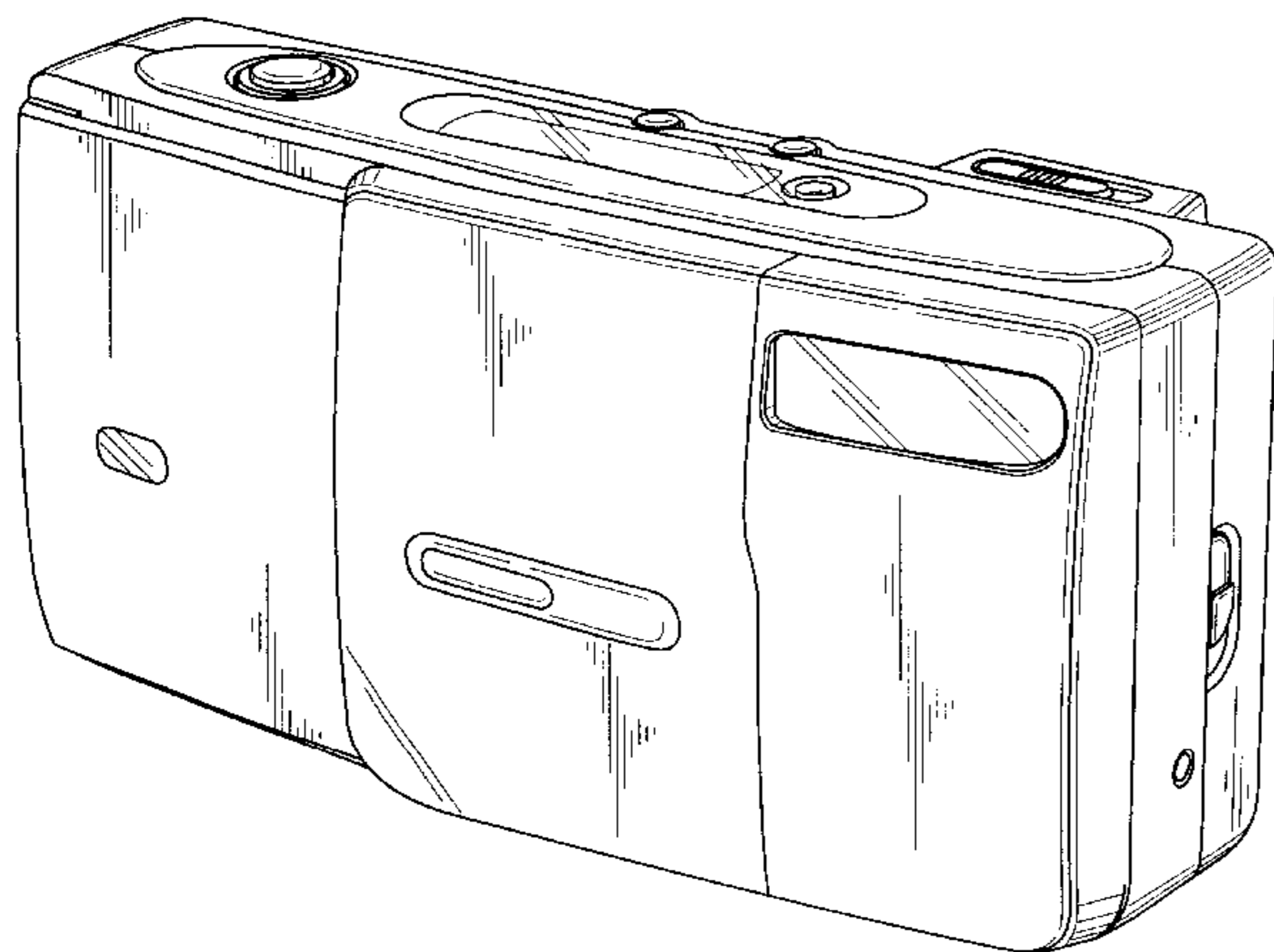


FIG. 1

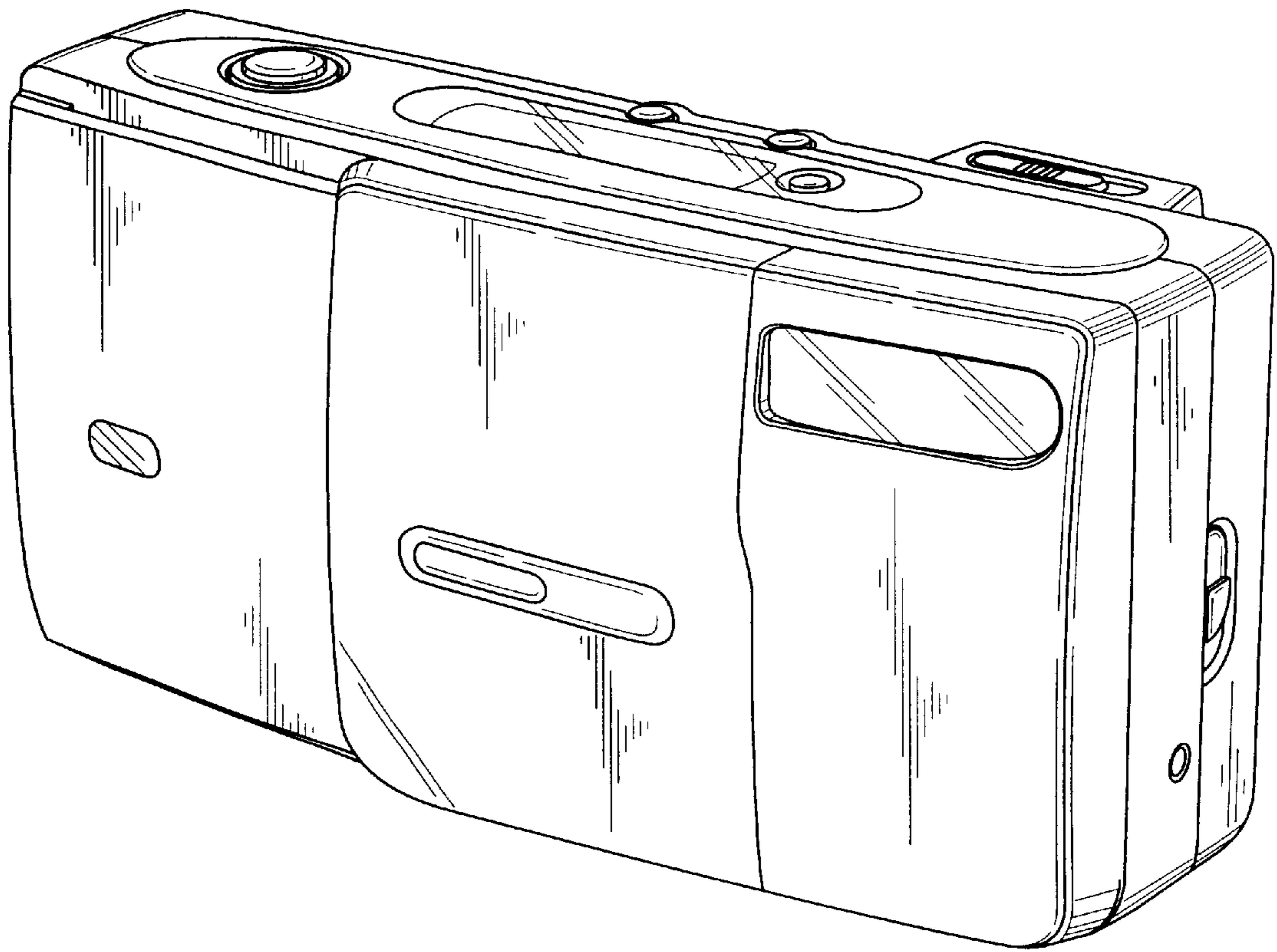


FIG. 2

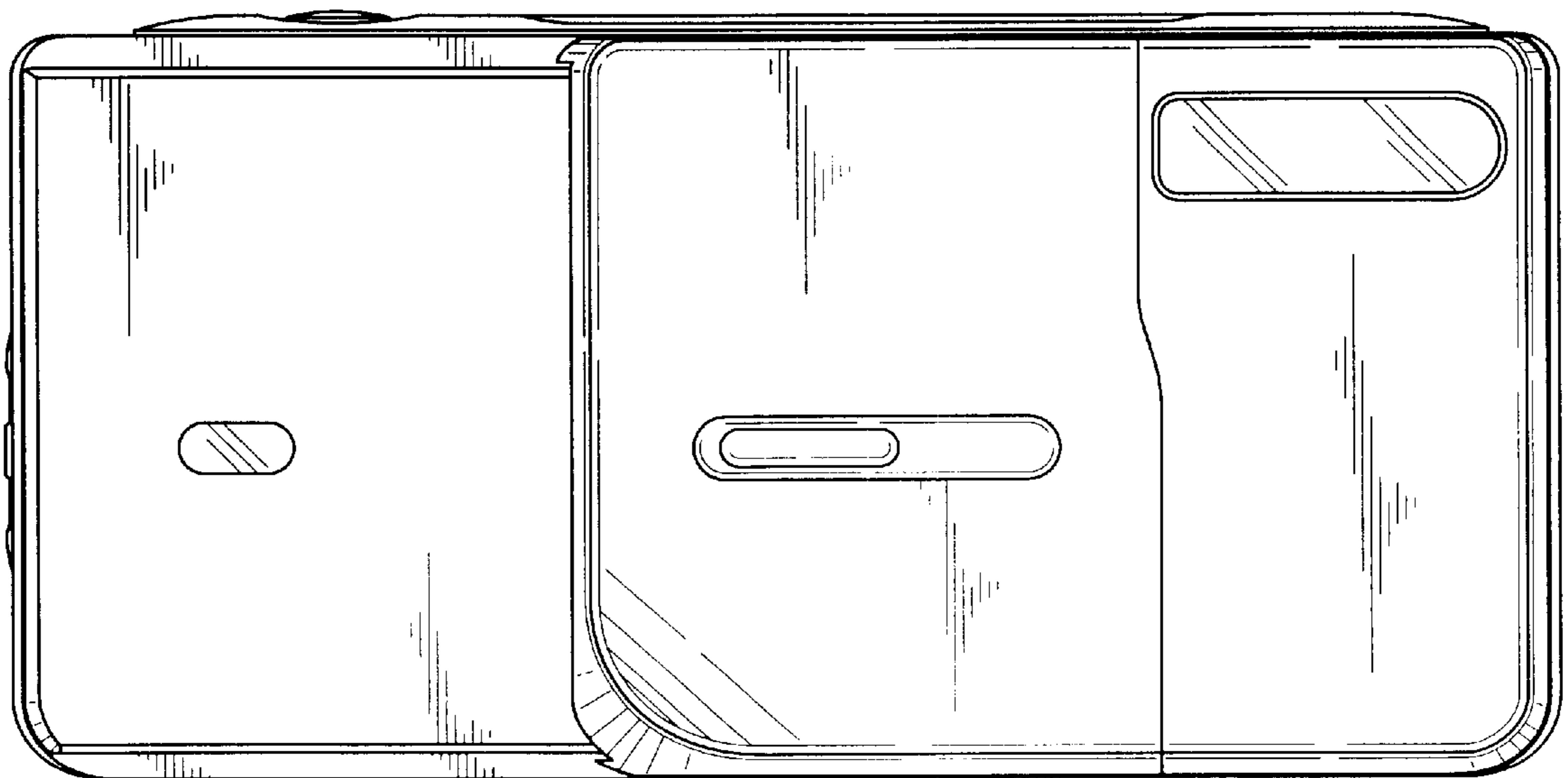


FIG. 3

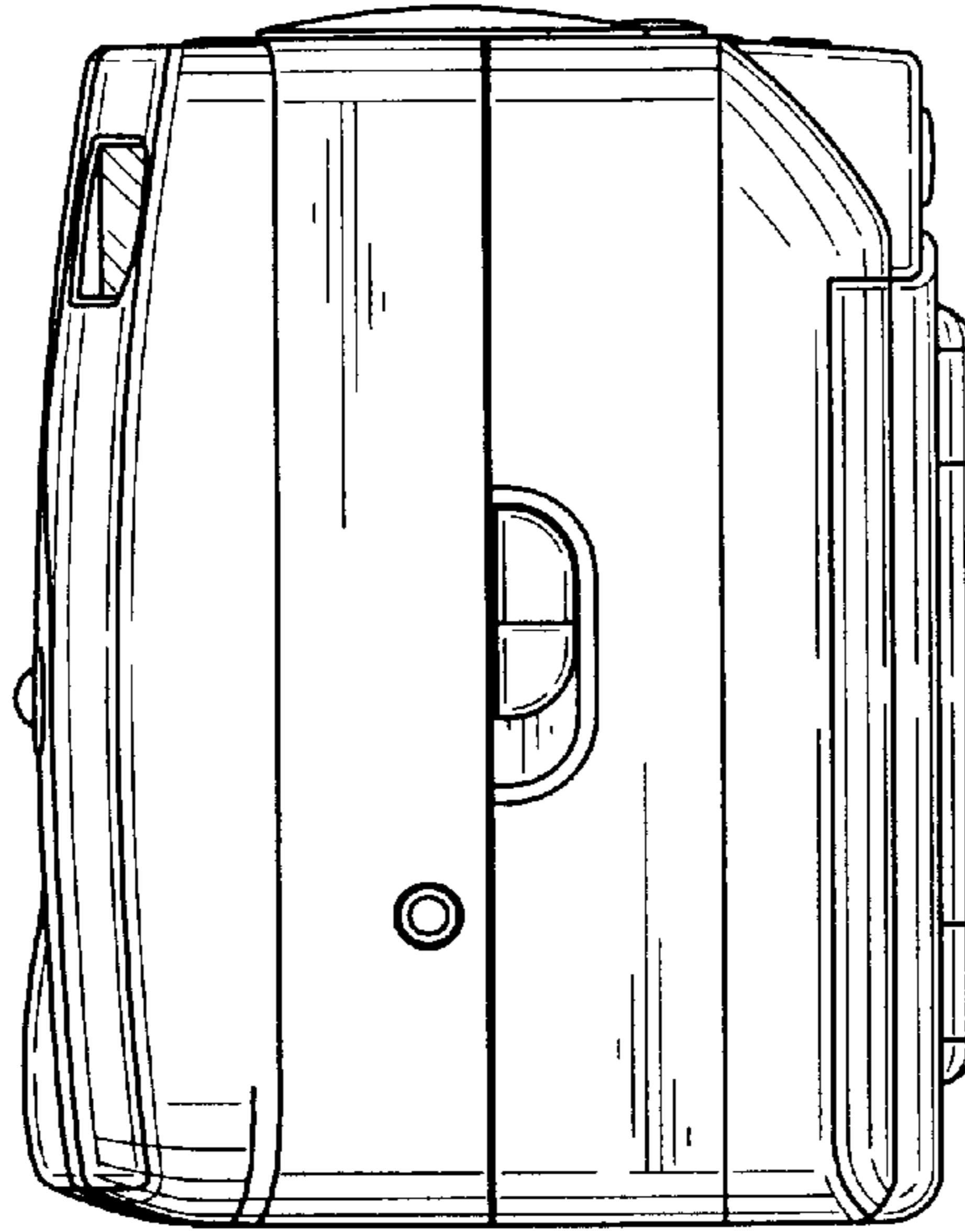


FIG. 4

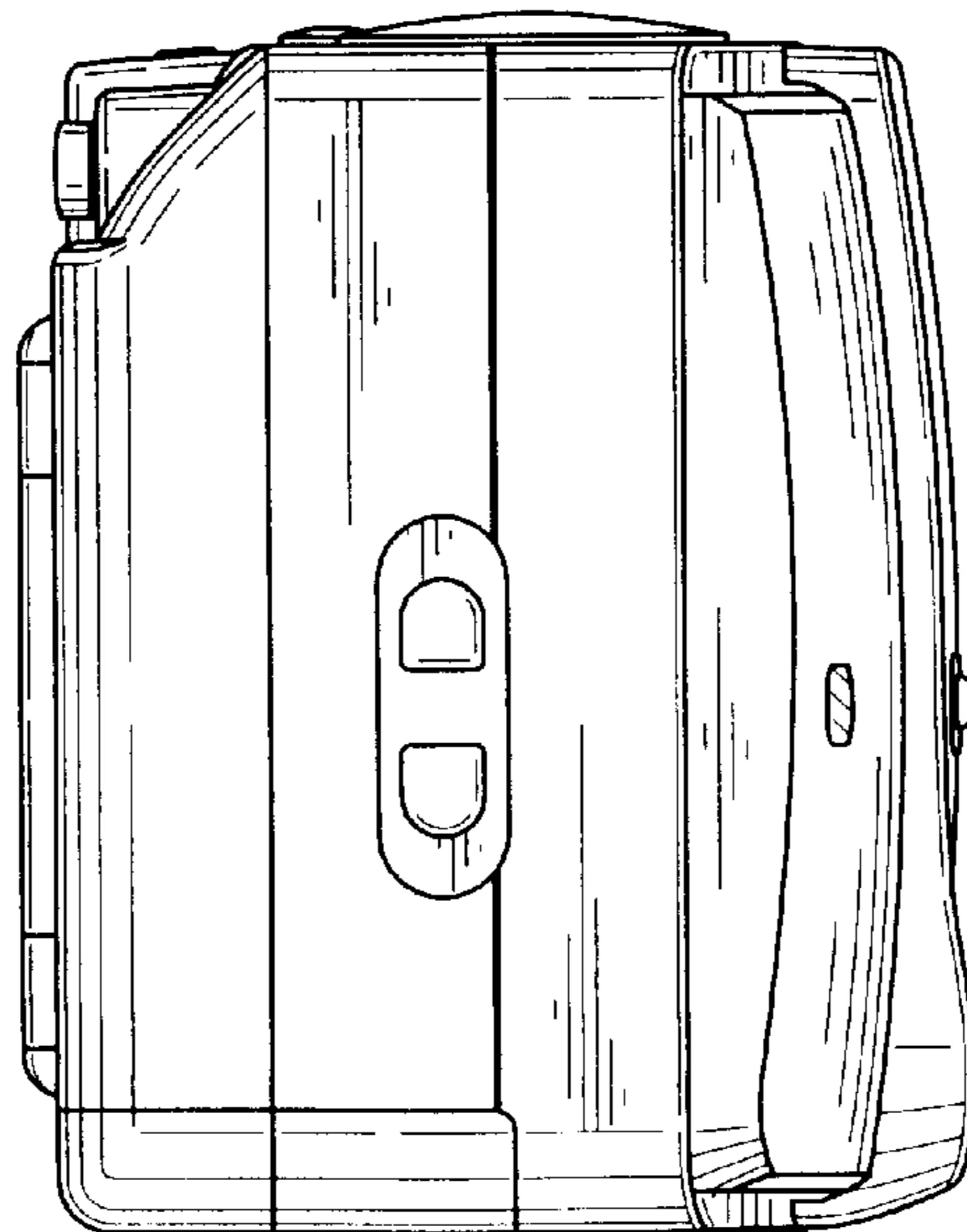


FIG. 5

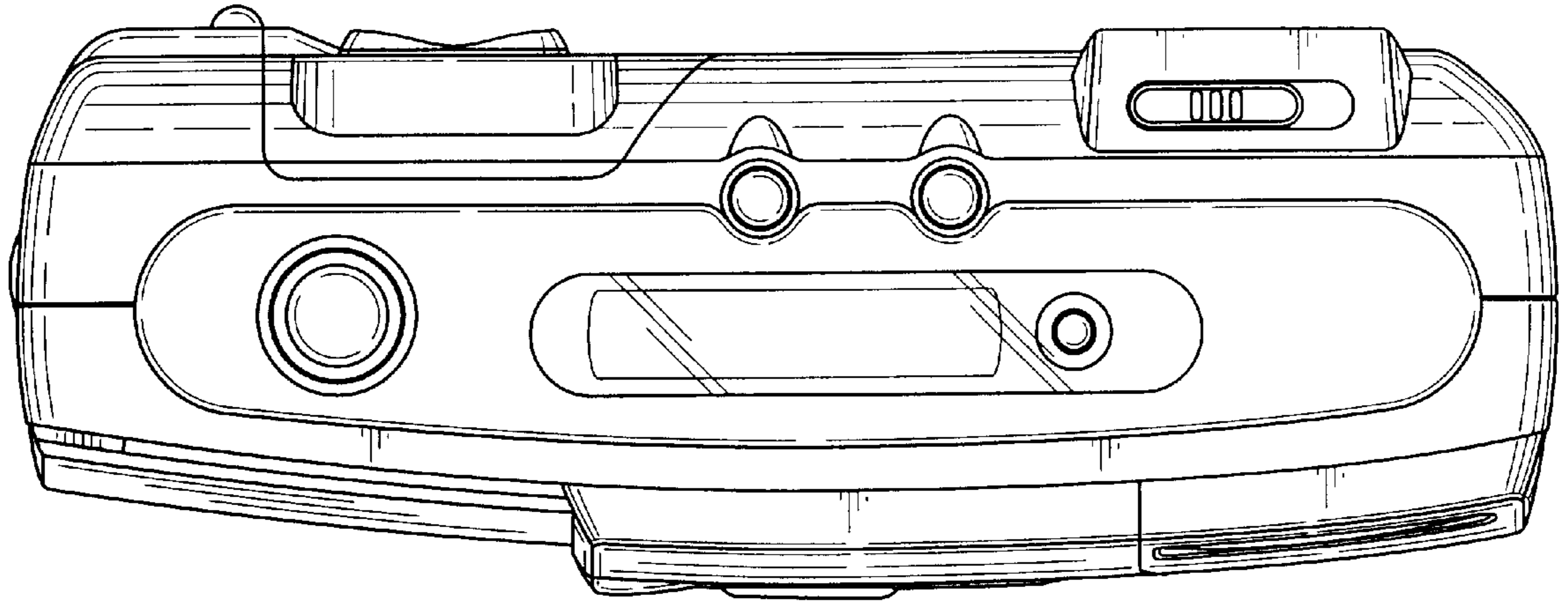


FIG. 6

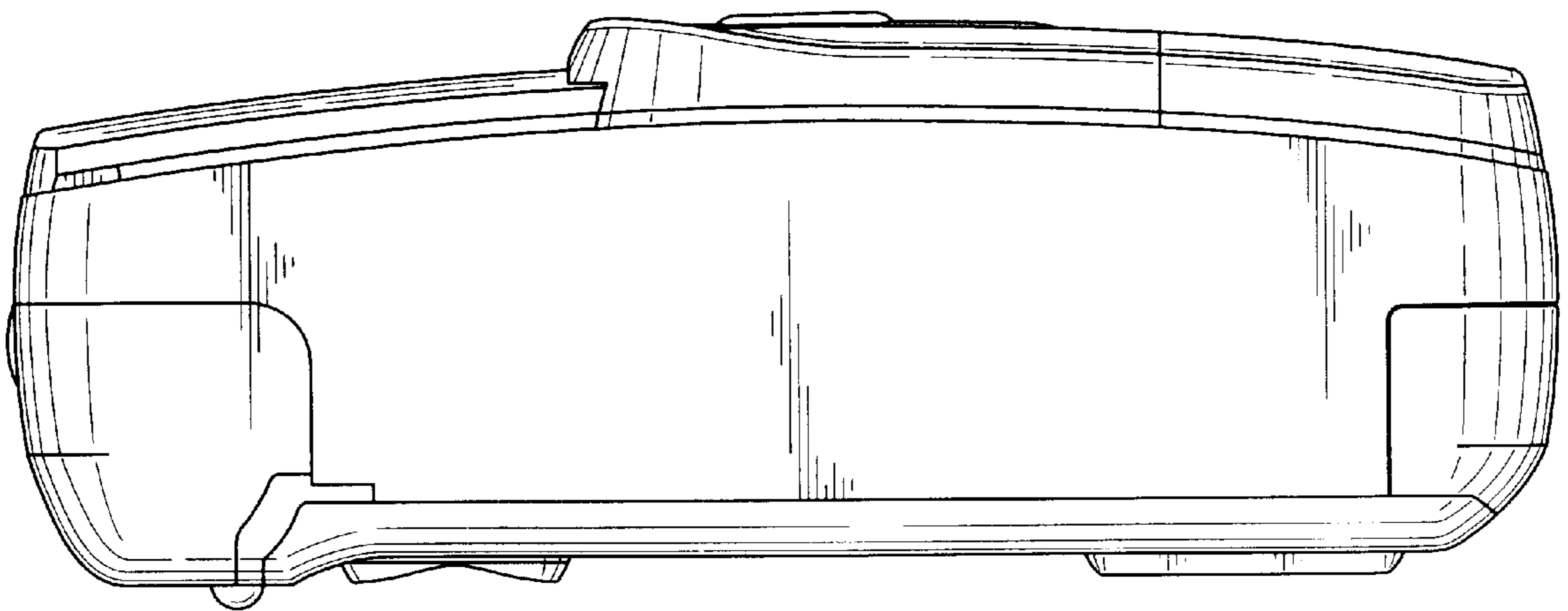


FIG. 7

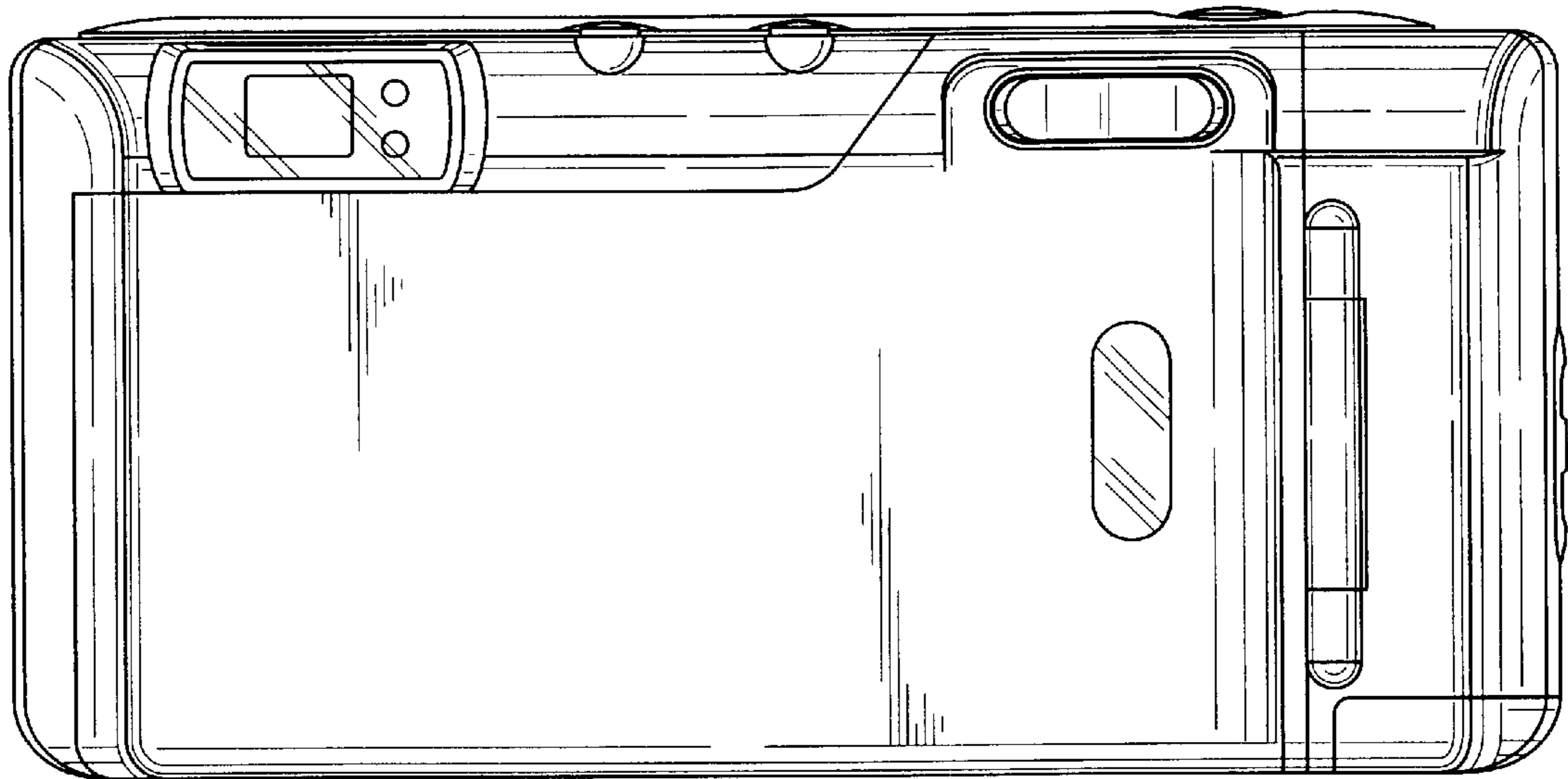


FIG. 8

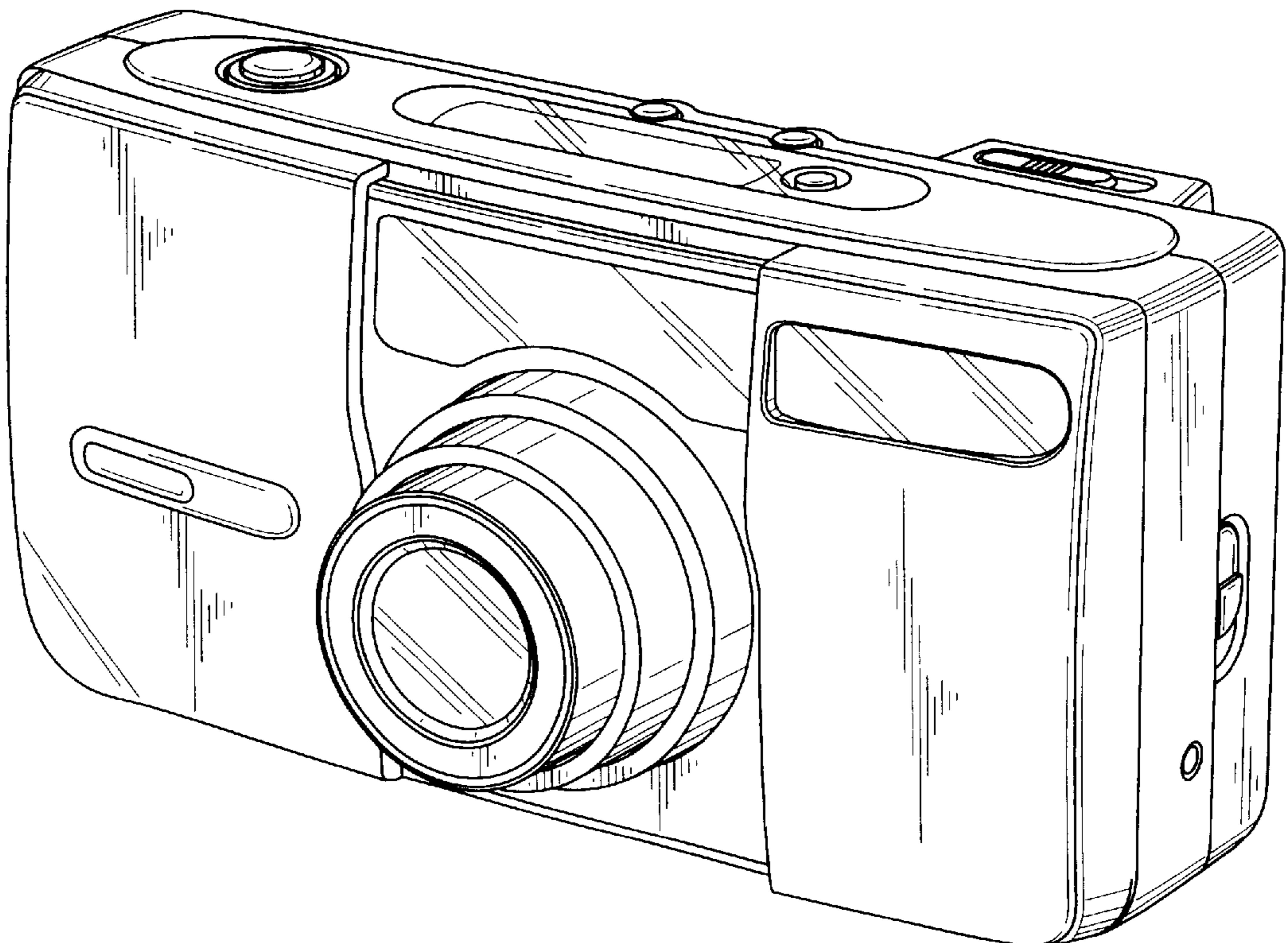


FIG. 9

