



US00D484519S

(12) **United States Design Patent**
Nojima

(10) **Patent No.:** **US D484,519 S**

(45) **Date of Patent:** **** Dec. 30, 2003**

(54) **BINOCULARS**

(75) Inventor: **Akira Nojima**, Fussa (JP)
(73) Assignee: **Nikon Corporation**, Tokyo (JP)
(**) Term: **14 Years**

(21) Appl. No.: **29/178,715**
(22) Filed: **Apr. 1, 2003**

(30) **Foreign Application Priority Data**

Feb. 7, 2003 (JP) 2003-002794

(51) **LOC (7) Cl.** **16-06**
(52) **U.S. Cl.** **D16/133**
(58) **Field of Search** D16/130, 132,
D16/133; 359/407, 408, 409, 410, 411,
412, 413, 414, 415, 416, 417, 418, 419

(56) **References Cited**

U.S. PATENT DOCUMENTS

2,079,890 A * 5/1937 Wollensak et al. 359/413
2,267,711 A * 12/1941 Balley 359/414
3,712,704 A * 1/1973 Sato 359/416
4,818,086 A * 4/1989 Moore 359/414
4,867,533 A * 9/1989 Akin, Jr. 359/414 X
D383,474 S * 9/1997 Hashimoto D16/133
D473,884 S * 4/2003 Hayamizo D16/133

FOREIGN PATENT DOCUMENTS

JP 265983 2/1967
JP 457925 10/1977
JP S 806070 1/1991
JP S 897830 5/1994
JP S 992537 10/1997
JP S 1020218 9/1998
JP S 1049027 9/1999
JP S 1165069 2/2003

* cited by examiner

Primary Examiner—Paula A. Mortimer

(74) *Attorney, Agent, or Firm*—Oliff & Berridge, PLC

(57) **CLAIM**

The ornamental design for binoculars, as shown.

DESCRIPTION

FIG. 1 is a front perspective view of binoculars showing my new design;
FIG. 2 is a front view thereof;
FIG. 3 is a rear view thereof;
FIG. 4 is a top view thereof;
FIG. 5 is a bottom view thereof;
FIG. 6 is a right side view thereof;
FIG. 7 is a left side view thereof;
FIG. 8 is a rear perspective view thereof; and,
FIG. 9 is a front perspective view of the binoculars in an extensive position thereof.

1 Claim, 5 Drawing Sheets





Fig. 1

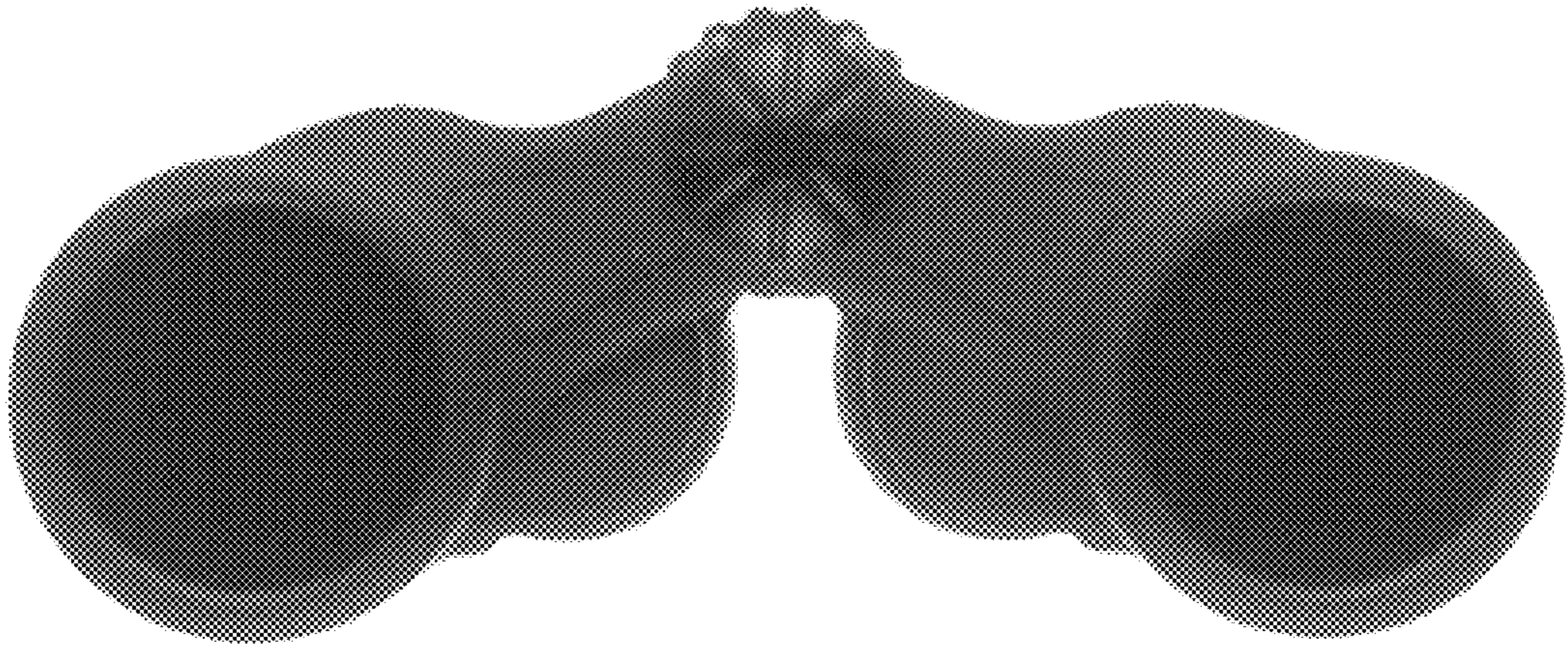


Fig. 2

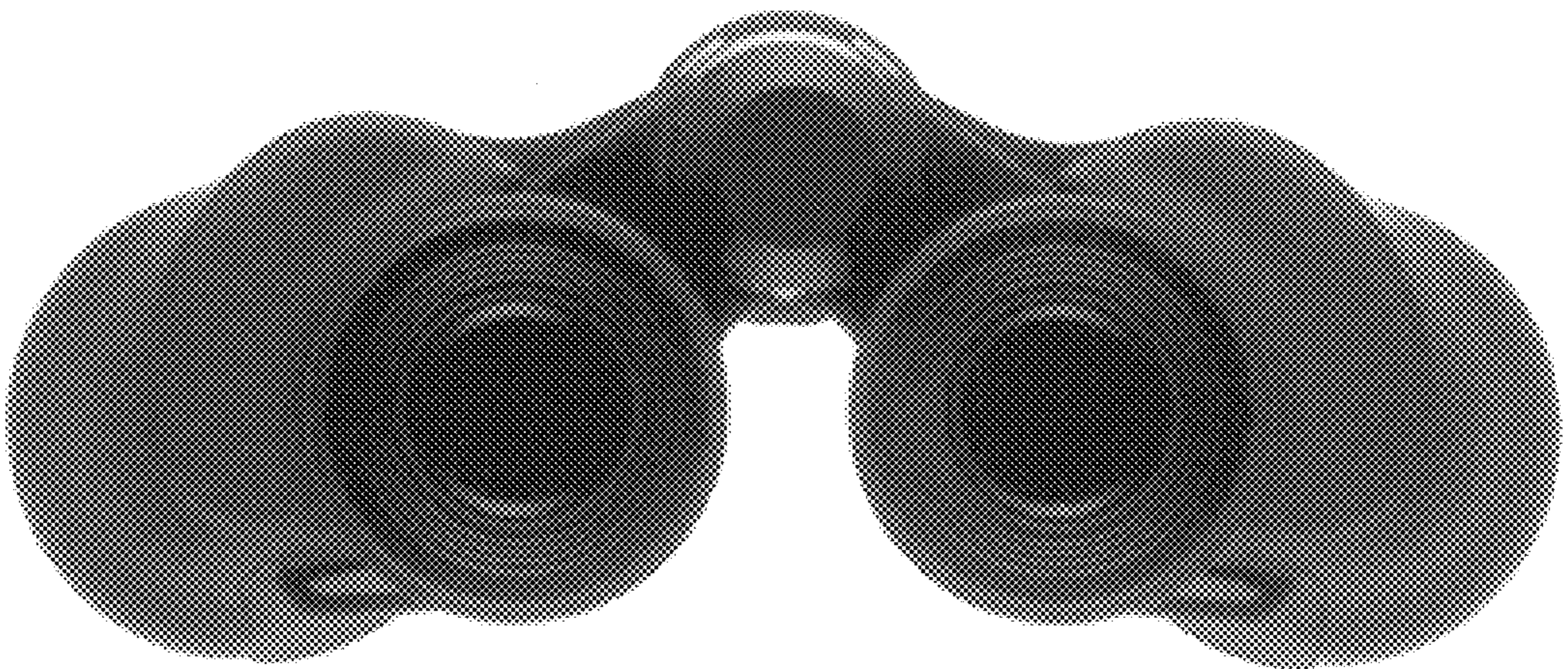


Fig. 3

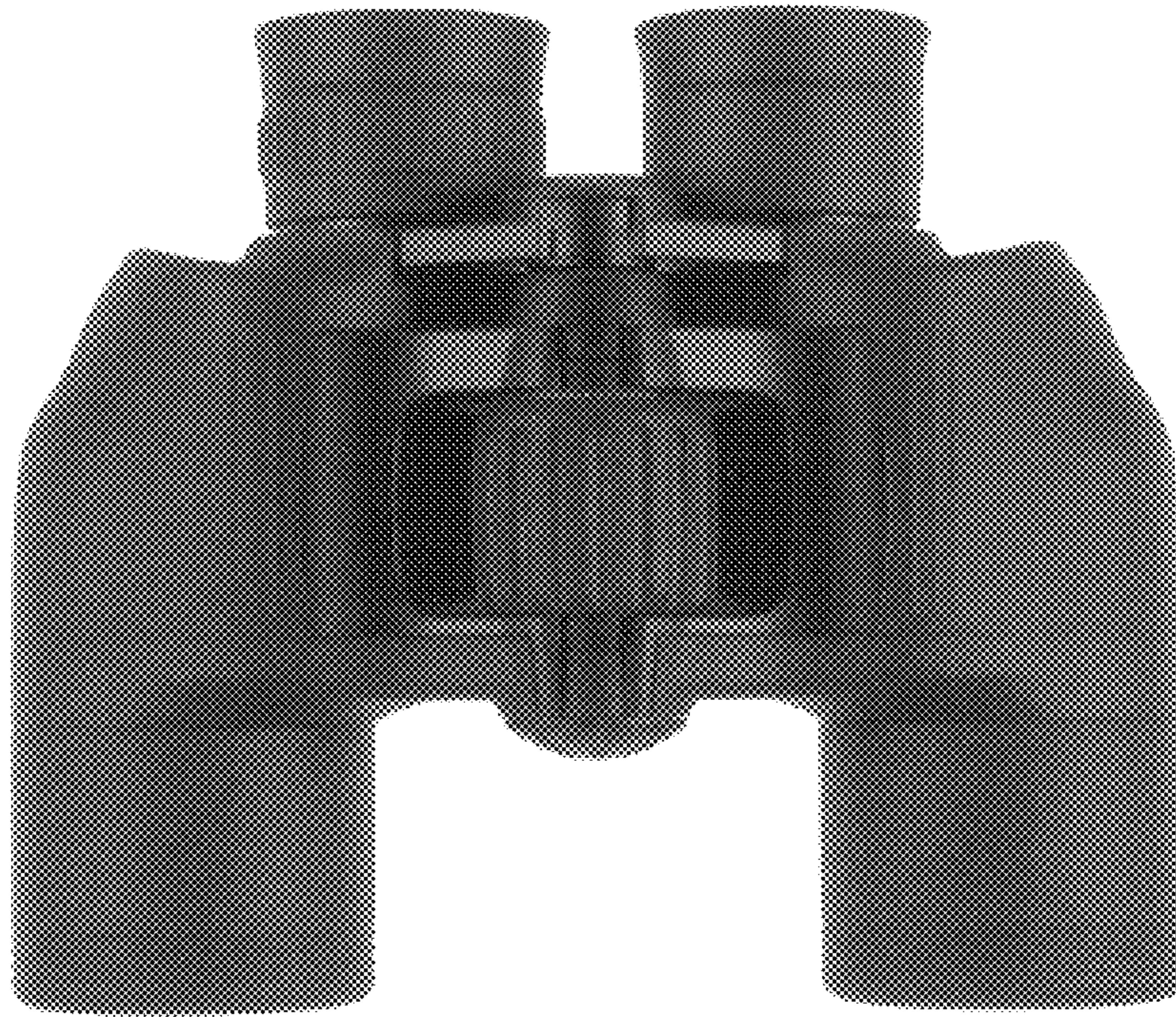


Fig. 4



Fig. 5



Fig. 6



Fig. 7

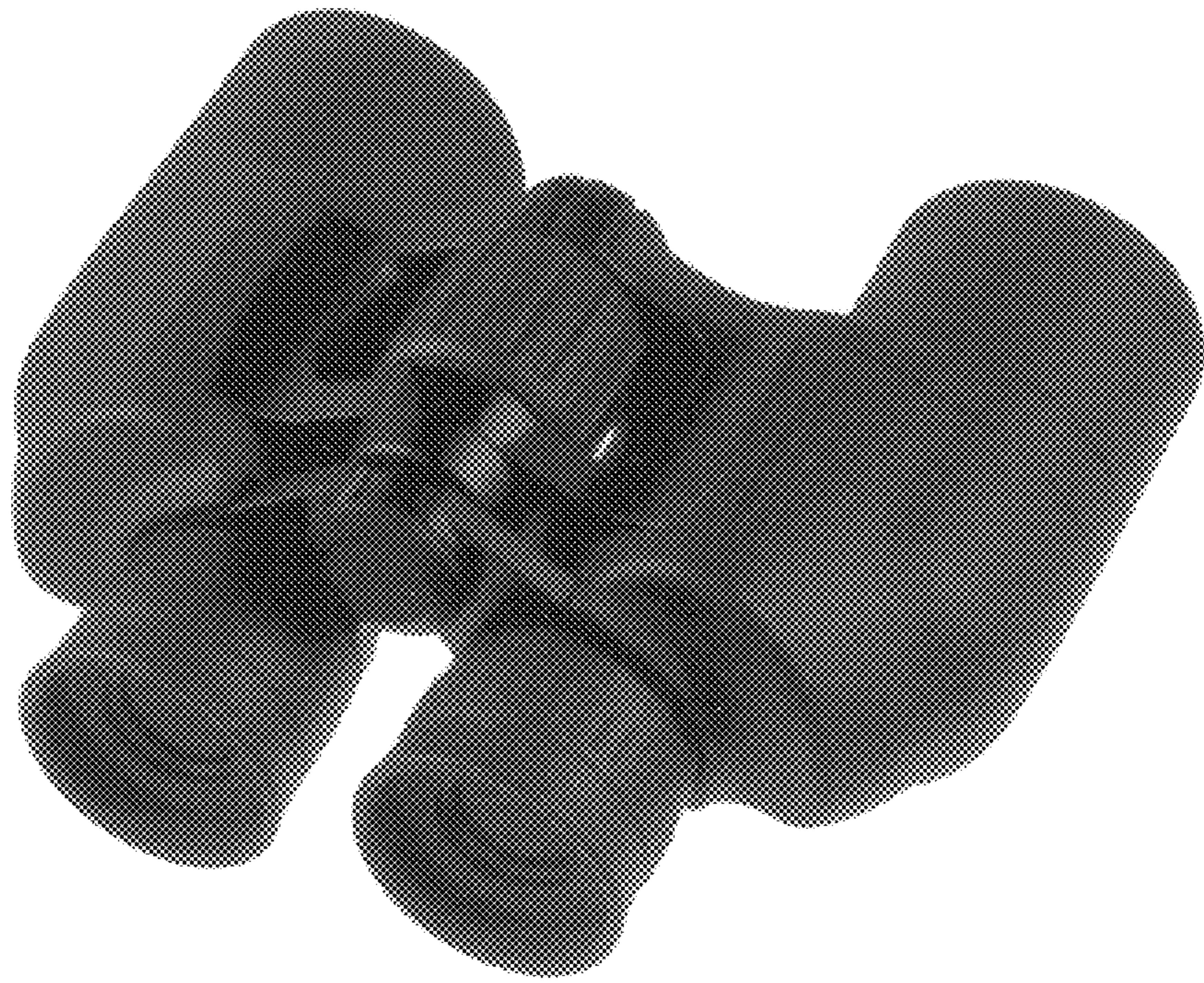


Fig. 8



Fig. 9